



US00D382767S

# United States Patent [19] Lien

[11] Patent Number: **Des. 382,767**

[45] Date of Patent: **\*\*Aug. 26, 1997**

## [54] COOKING POT WITH A TIMER LID

[75] Inventor: **Chang-hsing Lien**, Taipei, Taiwan

[73] Assignee: **Action Overseas Co., Ltd.**, Taipei, Taiwan

[\*\*] Term: **14 Years**

[21] Appl. No.: **57,584**

[22] Filed: **Jul. 29, 1996**

[51] LOC (6) Cl. .... **07-02**

[52] U.S. Cl. .... **D7/360**

[58] Field of Search ..... D7/354, 358, 360, D7/391; 99/324, 325, 339, 425, 426, 445, 345; 220/912; 126/373, 390

### [56] **References Cited**

#### **U.S. PATENT DOCUMENTS**

- D. 107,078 11/1937 Guild ..... D7/360
- D. 368,828 4/1996 Thurlow ..... D7/360

## OTHER PUBLICATIONS

Chefs Catalog; p. 49; Item G.

*Primary Examiner*—Caron D. Veynar  
*Attorney, Agent, or Firm*—Kolisch, Hartwell, Dickinson, McCormack & Heuser

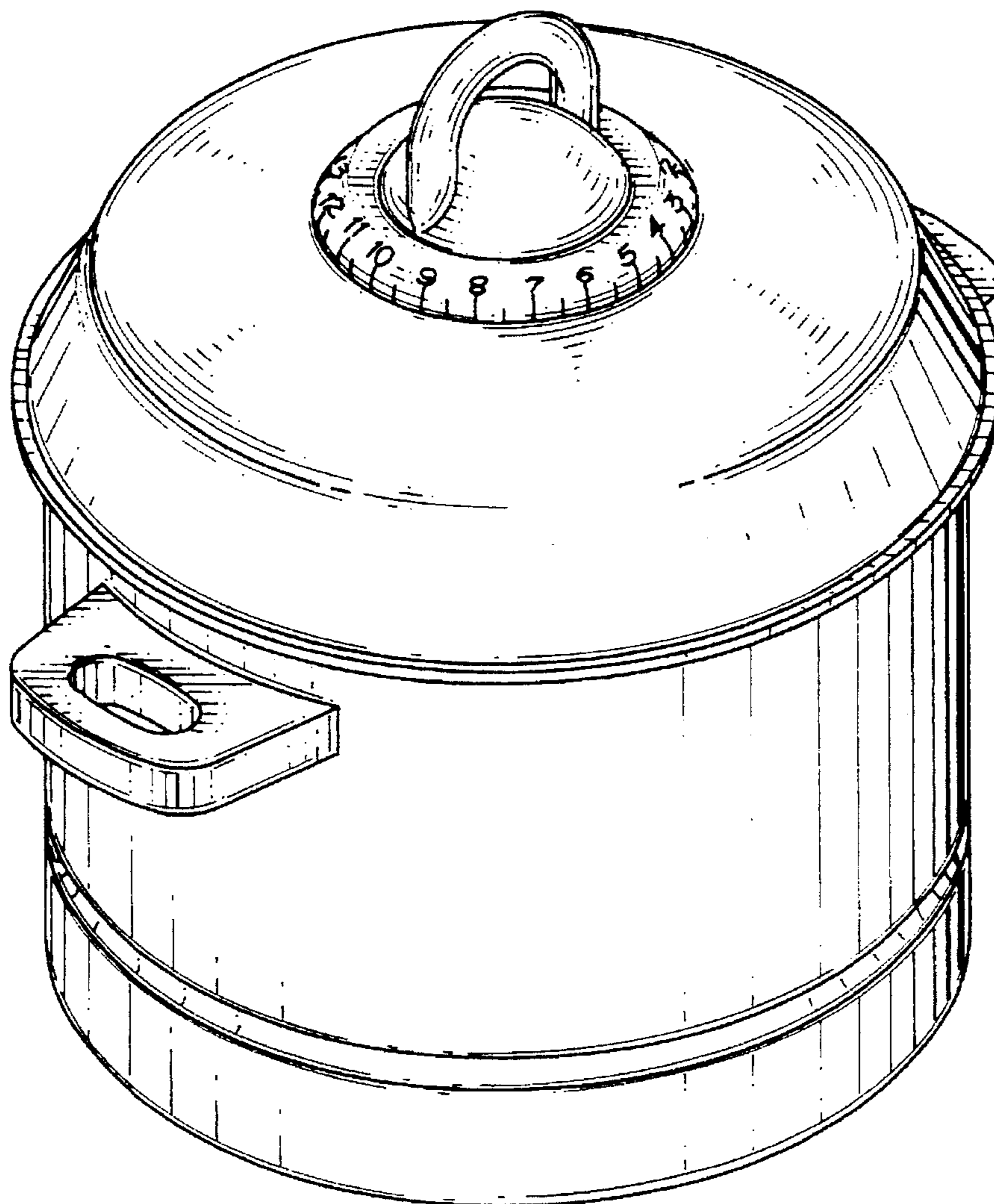
## [57] **CLAIM**

The ornamental design for a cooking pot with a timer lid, as shown and described.

## DESCRIPTION

FIG. 1 is a perspective view from the front, top and right side of a cooking pot with a timer lid showing my new design; FIG. 2 is a front elevational view thereof the rear side being a mirror image thereof; FIG. 3 is a left side elevational view thereof the right side being a mirror image thereof; FIG. 4 is a top plan view thereof; and, FIG. 5 is a bottom plan view thereof.

**1 Claim, 4 Drawing Sheets**



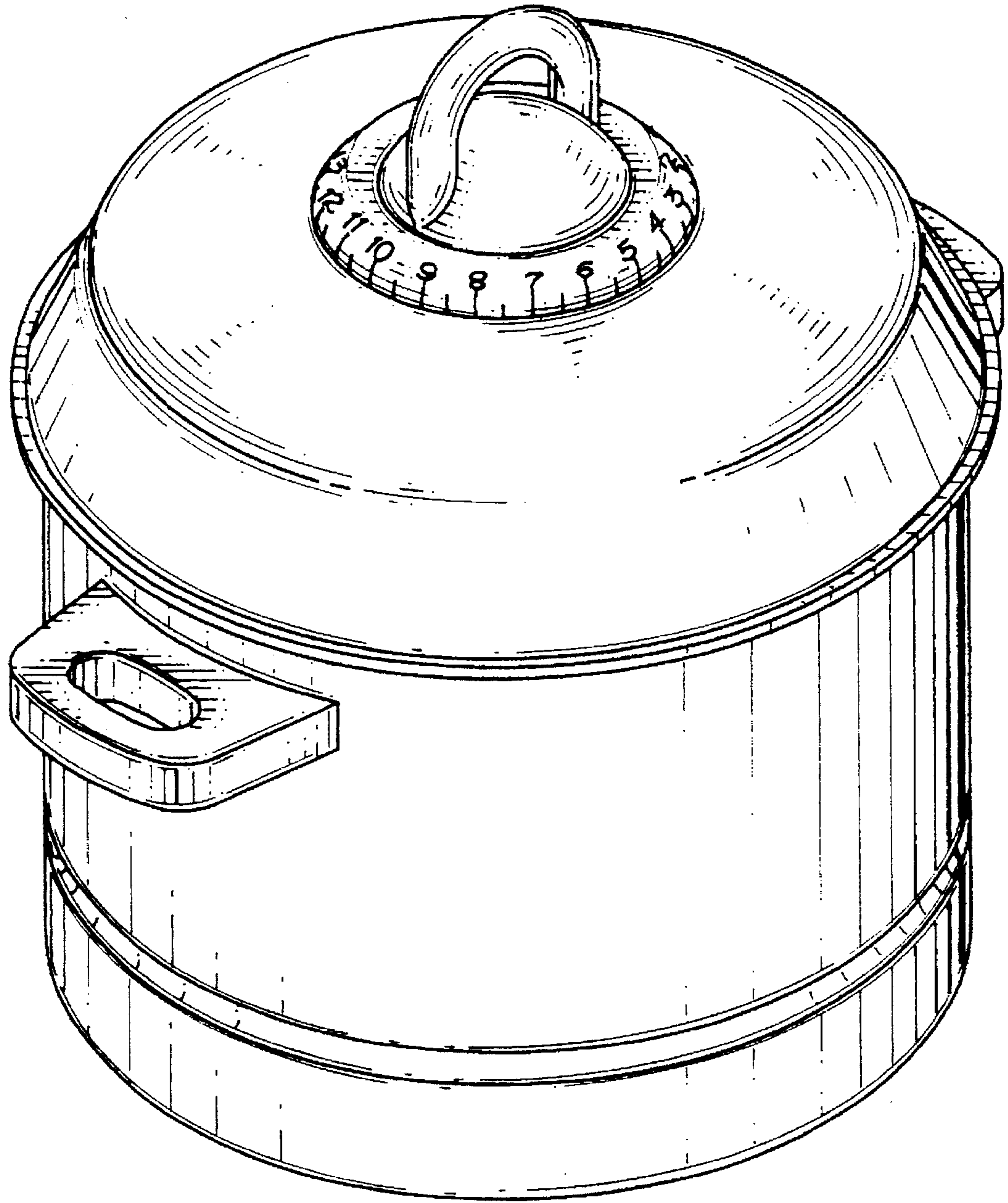


FIG. 1

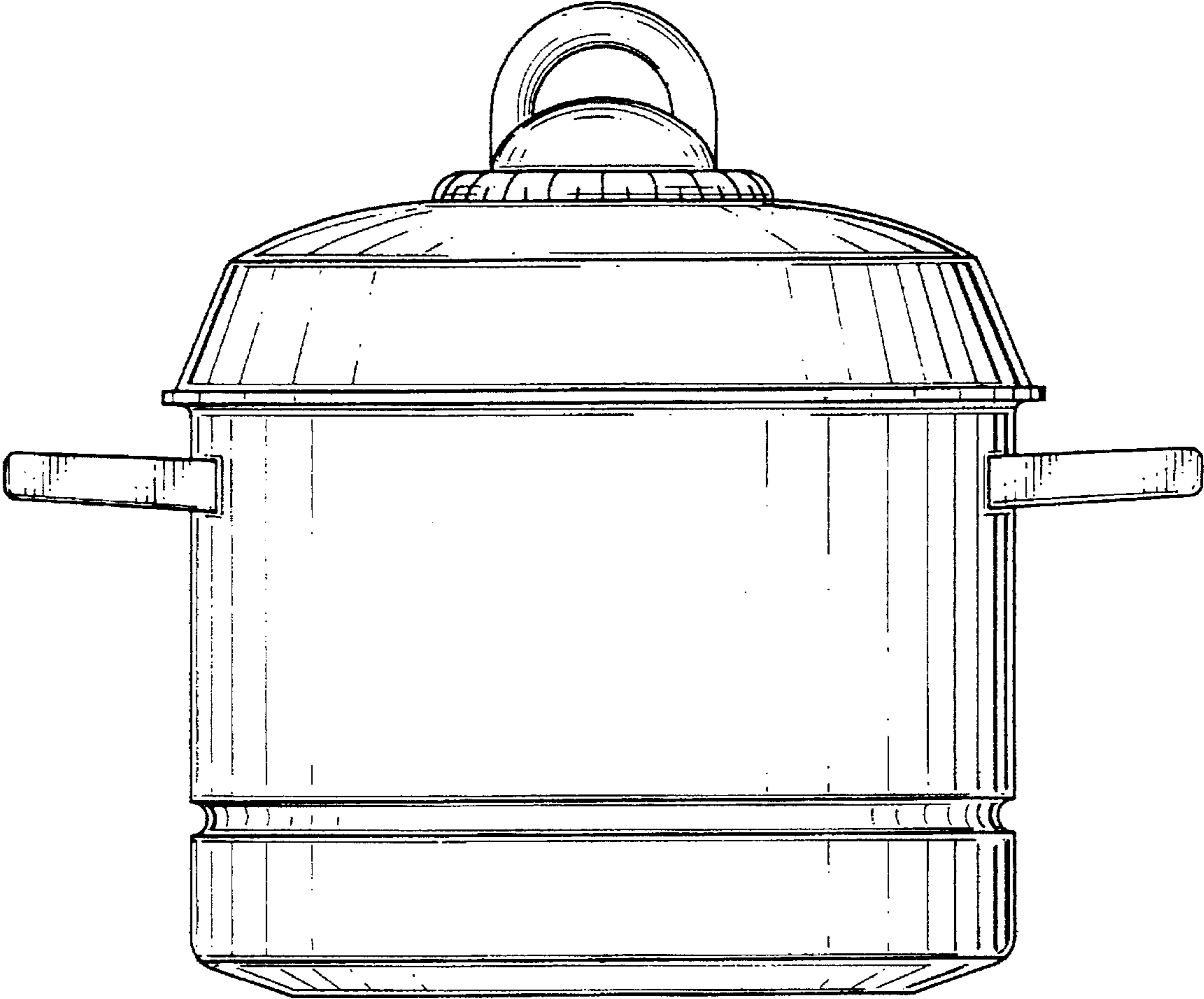


FIG.2

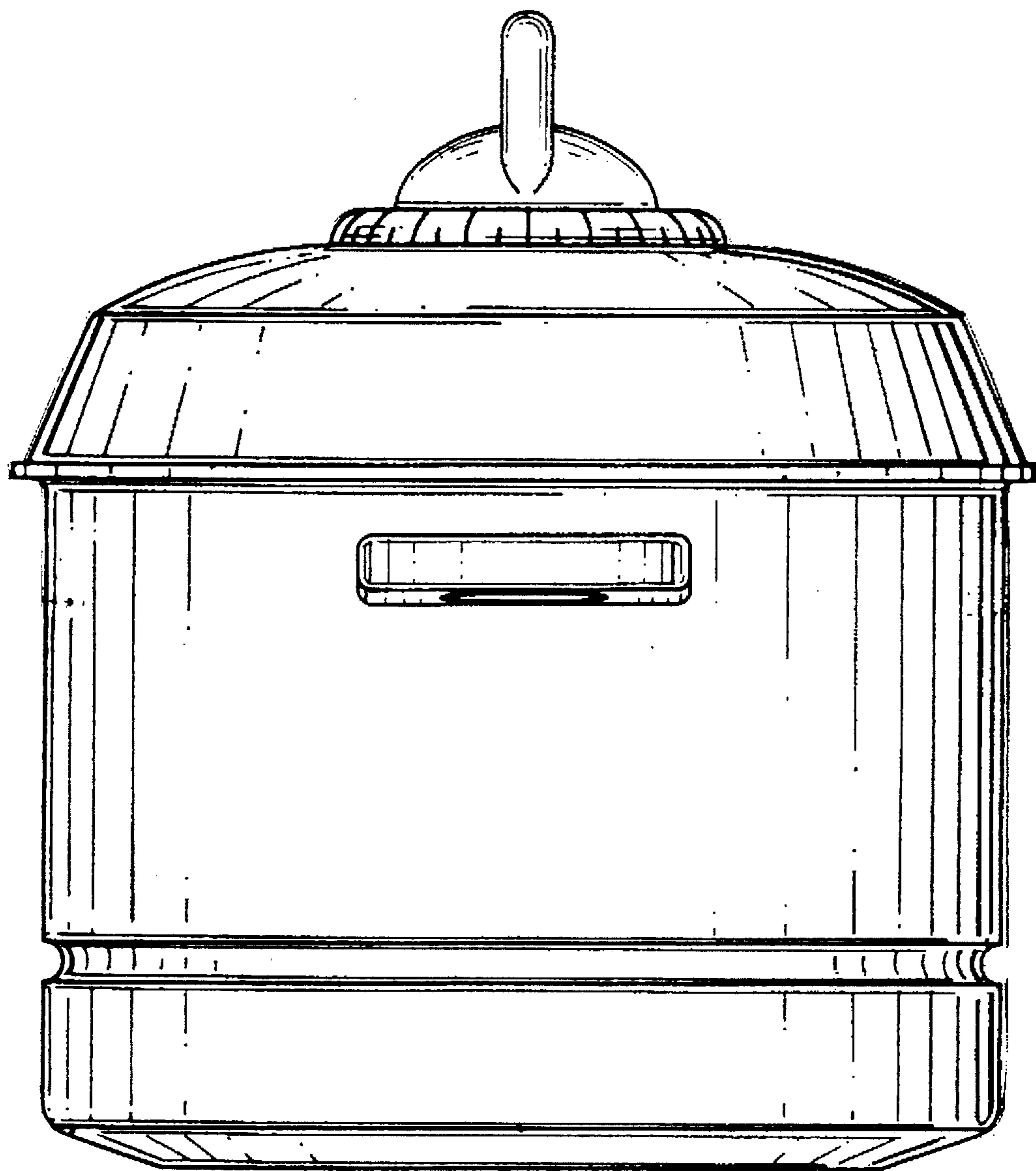


FIG. 3



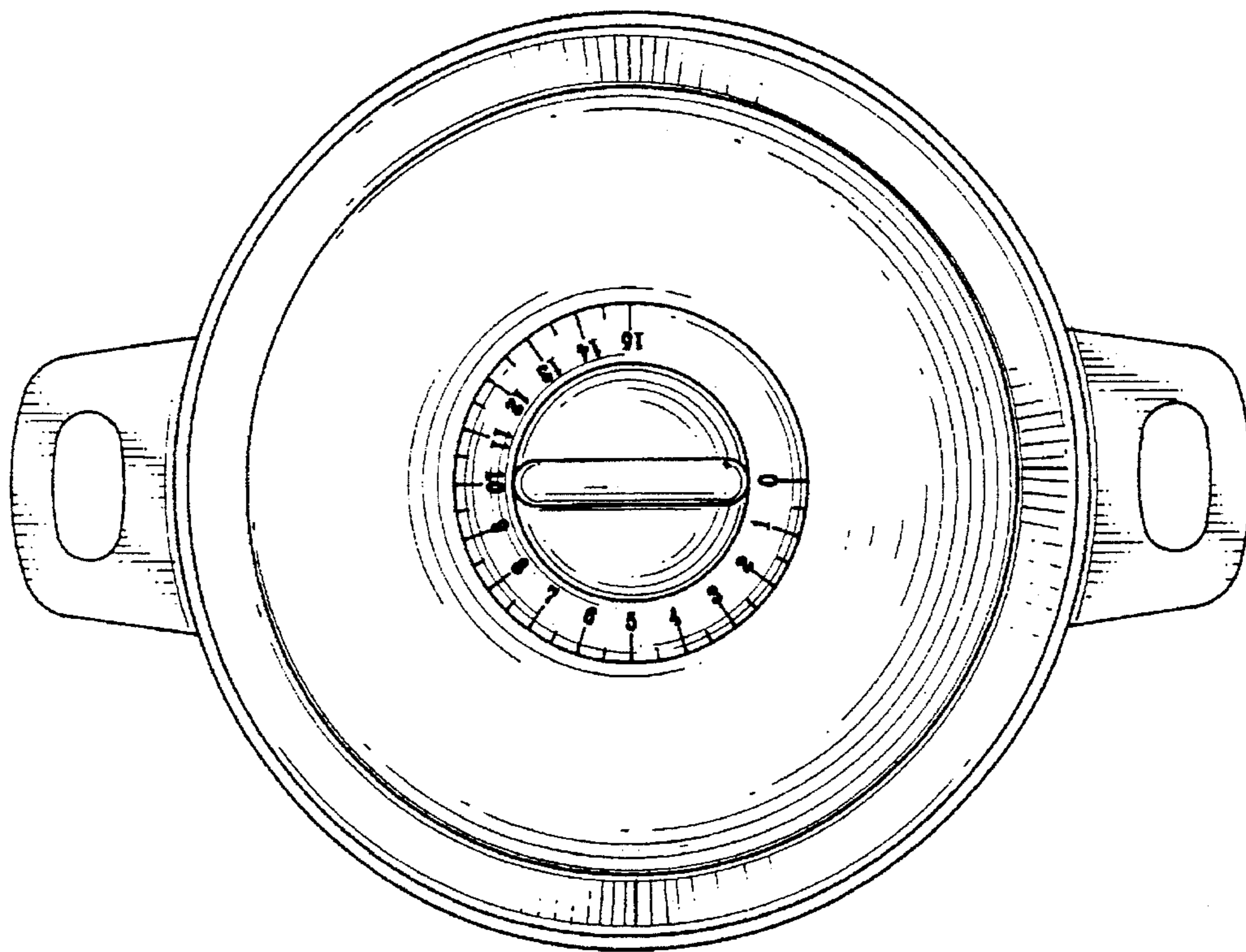


FIG. 4

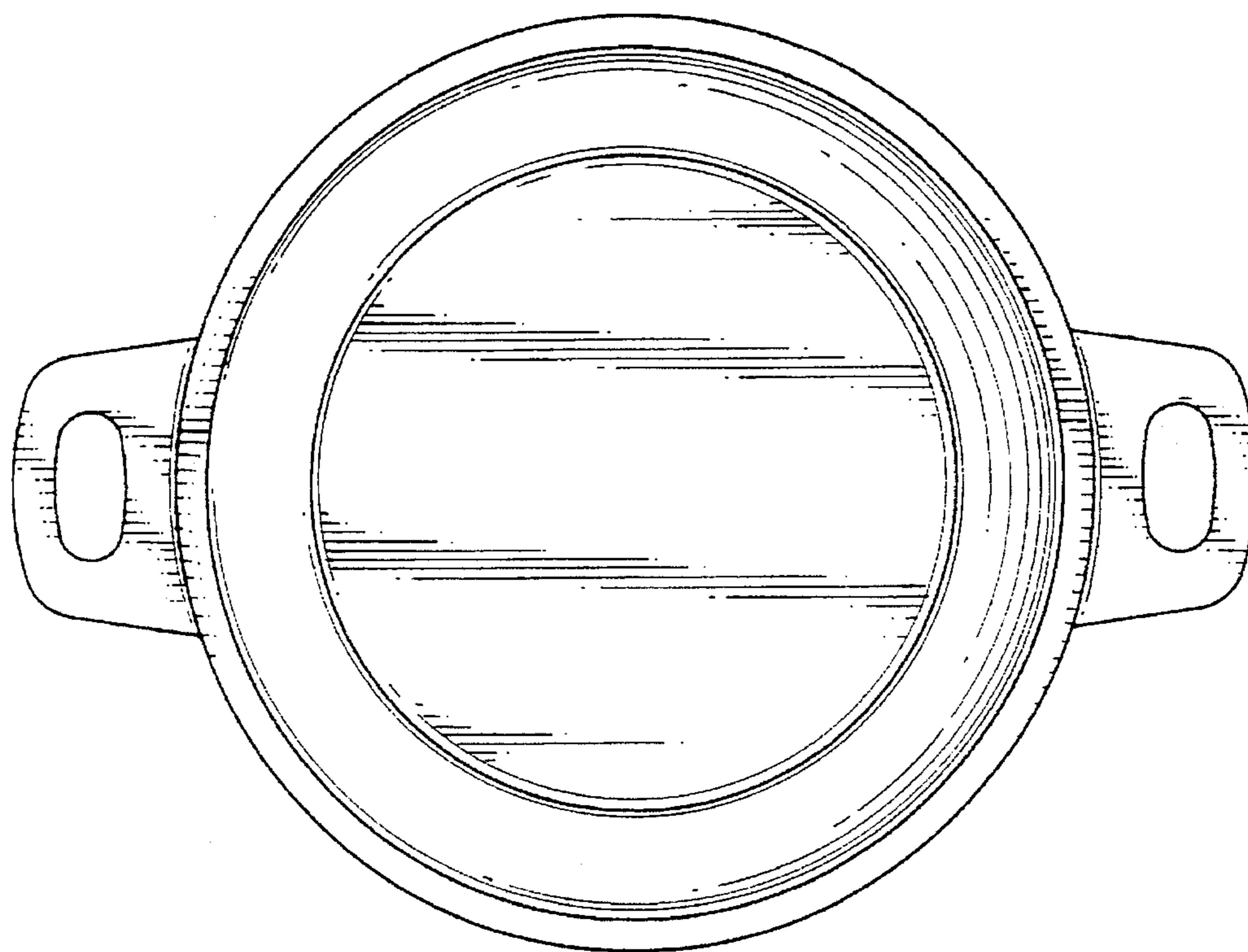


FIG. 5