



US00D382762S

# United States Patent [19] Felip

[11] Patent Number: Des. 382,762

[45] Date of Patent: \*\*Aug. 26, 1997

[54] **HOUSEHOLD ESPRESSO COFFEE MAKER MACHINE**

Electric Espresso Machine, Gifts and Decorative Accessories  
Dec. 1975 pp. 160-166.

[75] Inventor: Aldo De Felip, Milan, Italy

Primary Examiner—M. N. Pandozzi

[73] Assignee: Gaggia SpA, Italy

Attorney, Agent, or Firm—D. Peter Hochberg; Mark Kusner

[\*\*] Term: 14 Years

[57] CLAIM

[21] Appl. No.: 58,804

The ornamental design for a household espresso coffee maker machine, as shown and described.

[22] Filed: Aug. 23, 1996

### DESCRIPTION

[30] Foreign Application Priority Data

May 6, 1996 [WO] WIPO ..... DMA/003313

[51] LOC (6) Cl. .... 07-01

[52] U.S. Cl. .... D7/309; D7/310; D7/311

[58] Field of Search ..... D7/309, 310, 311,  
D7/306, 307, 308, 300; 99/279

FIG. 1 is a front perspective view of a household espresso coffee maker machine and shows my design;

FIG. 2 is a right side view of the household espresso coffee maker machine;

FIG. 3 is a front view of the household espresso coffee maker machine;

FIG. 4 is a left side view of the household espresso coffee maker machine;

FIG. 5 is a rear view of the household espresso coffee maker machine;

FIG. 6 is a top plan view of the household espresso coffee maker machine; and,

FIG. 7 is a bottom plan view of the household espresso coffee maker machine.

### [56] References Cited

#### U.S. PATENT DOCUMENTS

D. 299,304	1/1989	Knochner	.....	D7/309
D. 353,296	12/1994	Assmann	.....	D7/309
D. 365,491	12/1995	Hui	.....	D7/306 X
D. 367,393	2/1996	Vasseur et al.	.....	D7/306 X
4,760,714	8/1988	Lin	.....	D7/309 X

#### OTHER PUBLICATIONS

- Espresso Machine Schoner Wohnen p. 111 Oct. 1984.
- Espresso Machine Design 435, Mar. 1983 p. 24.
- Espresso Machine Design 420, p. 49 Dec. 1983.

1 Claim, 7 Drawing Sheets

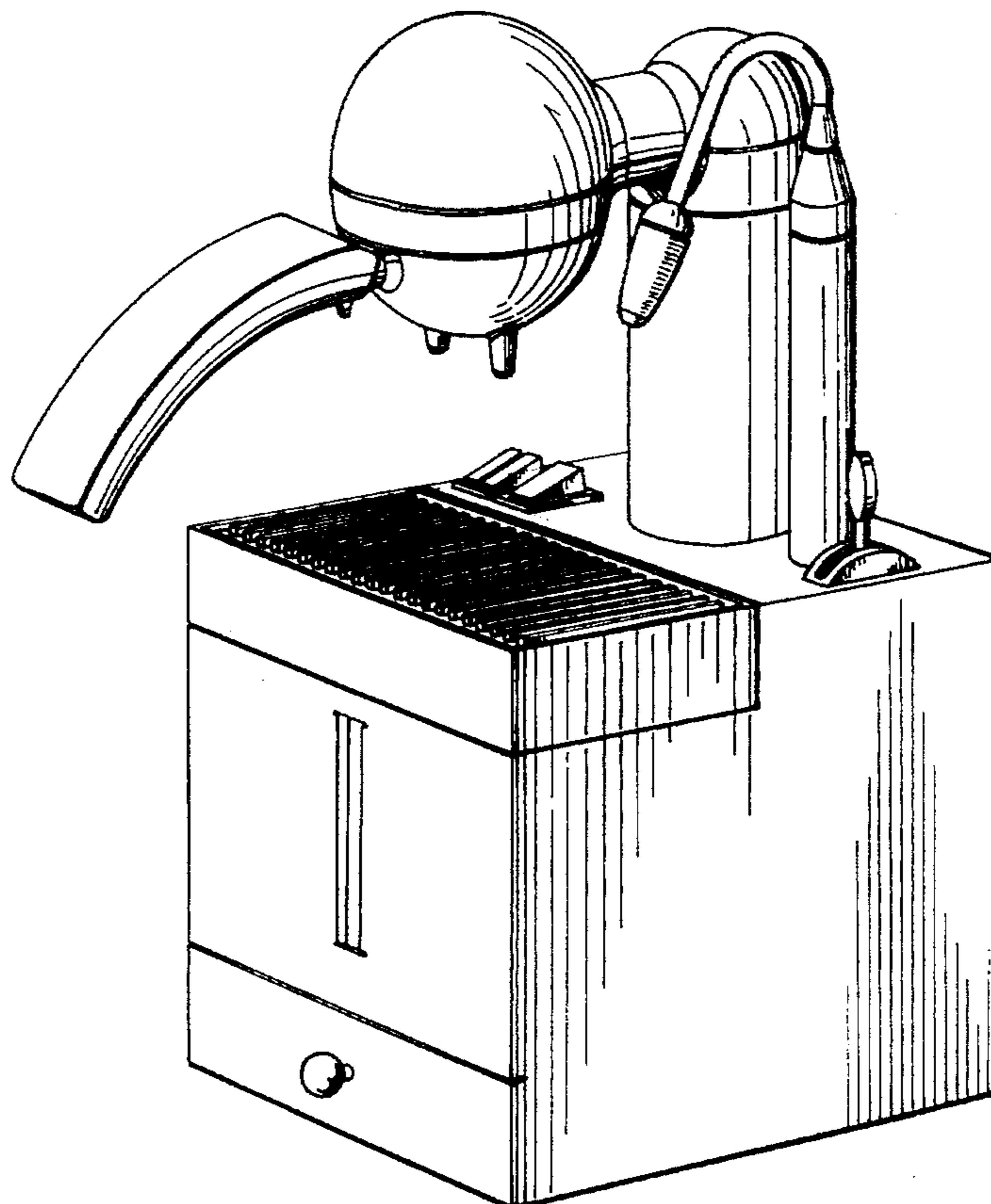


FIG. 1

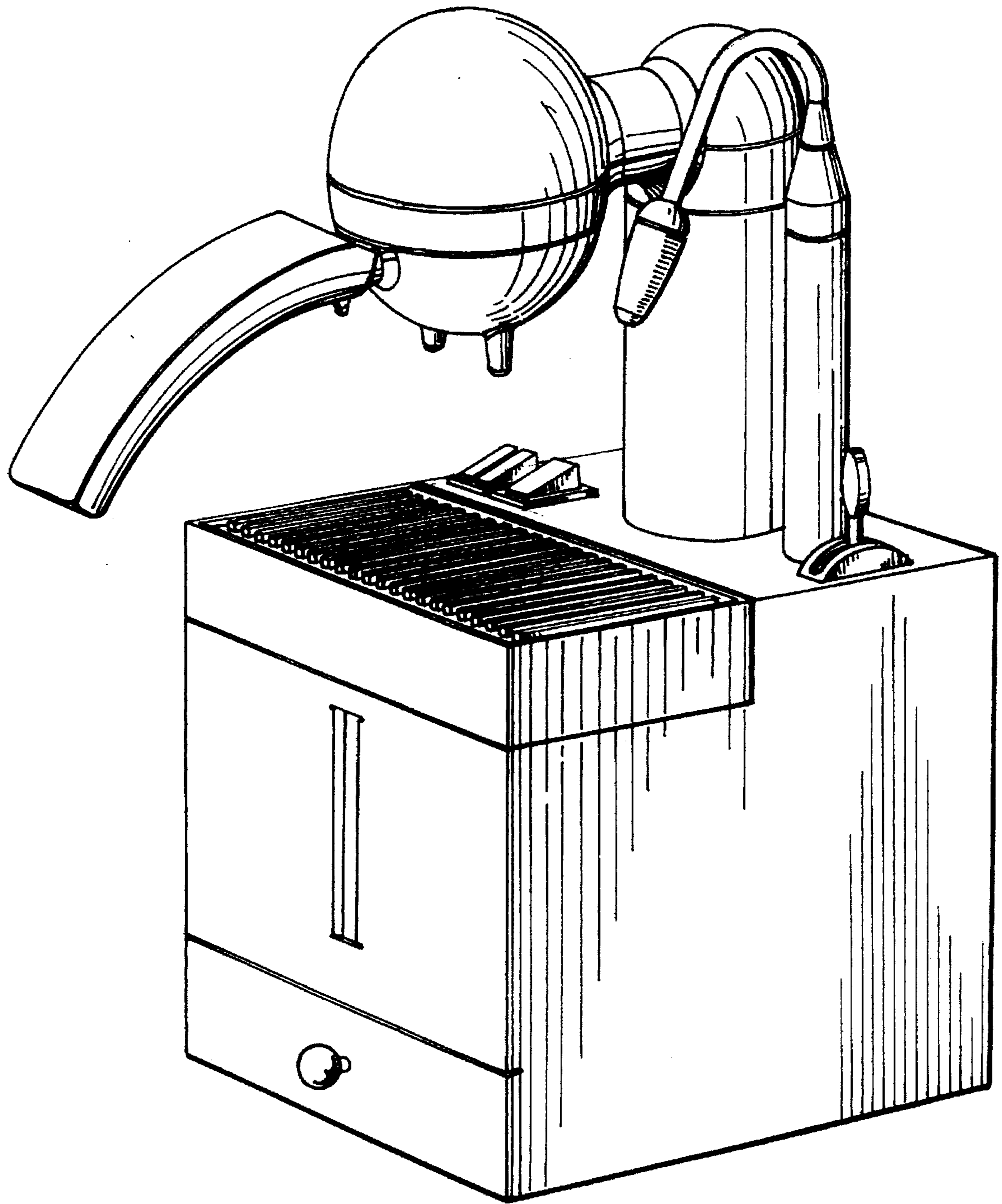


FIG. 2

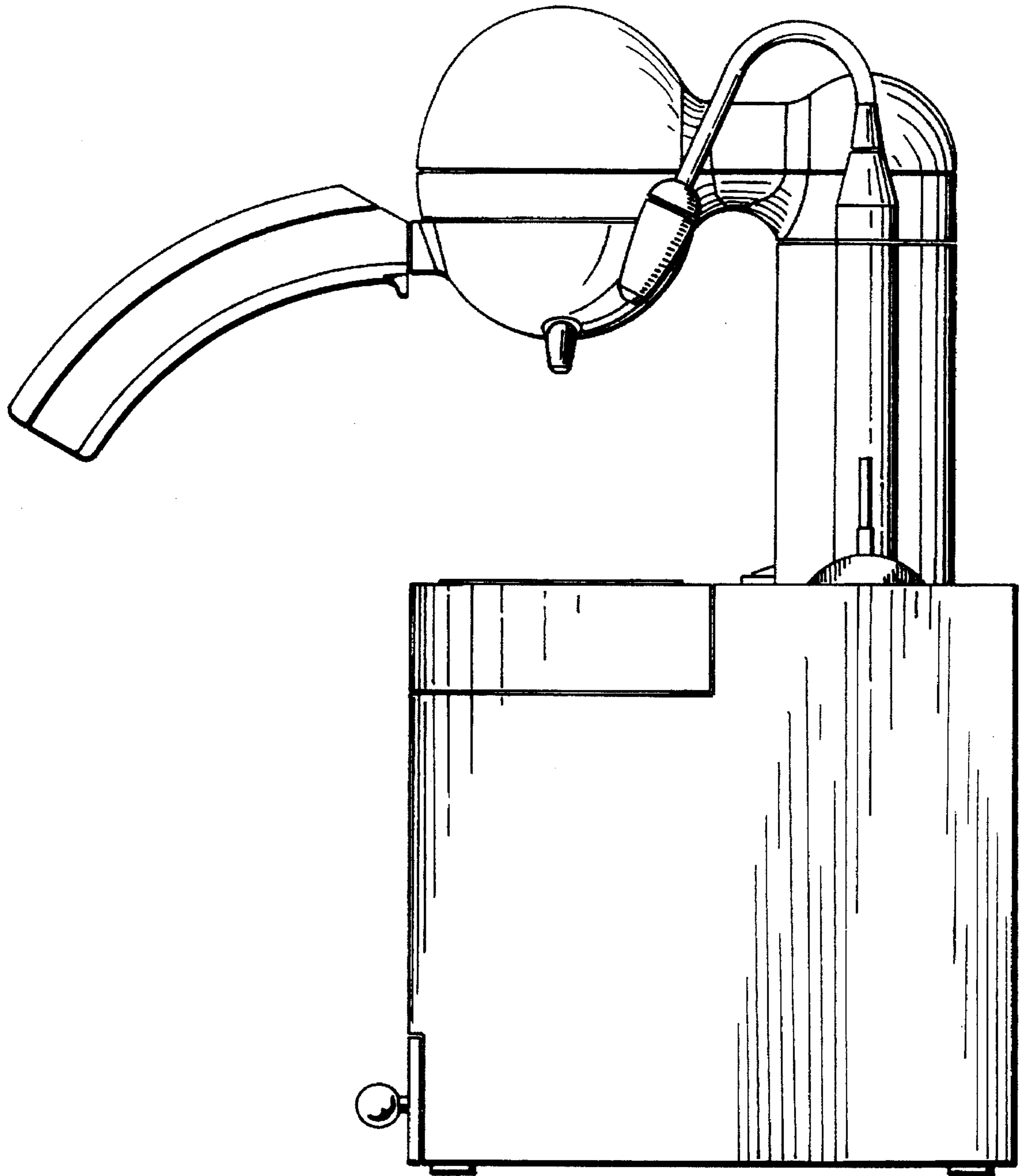


FIG. 3

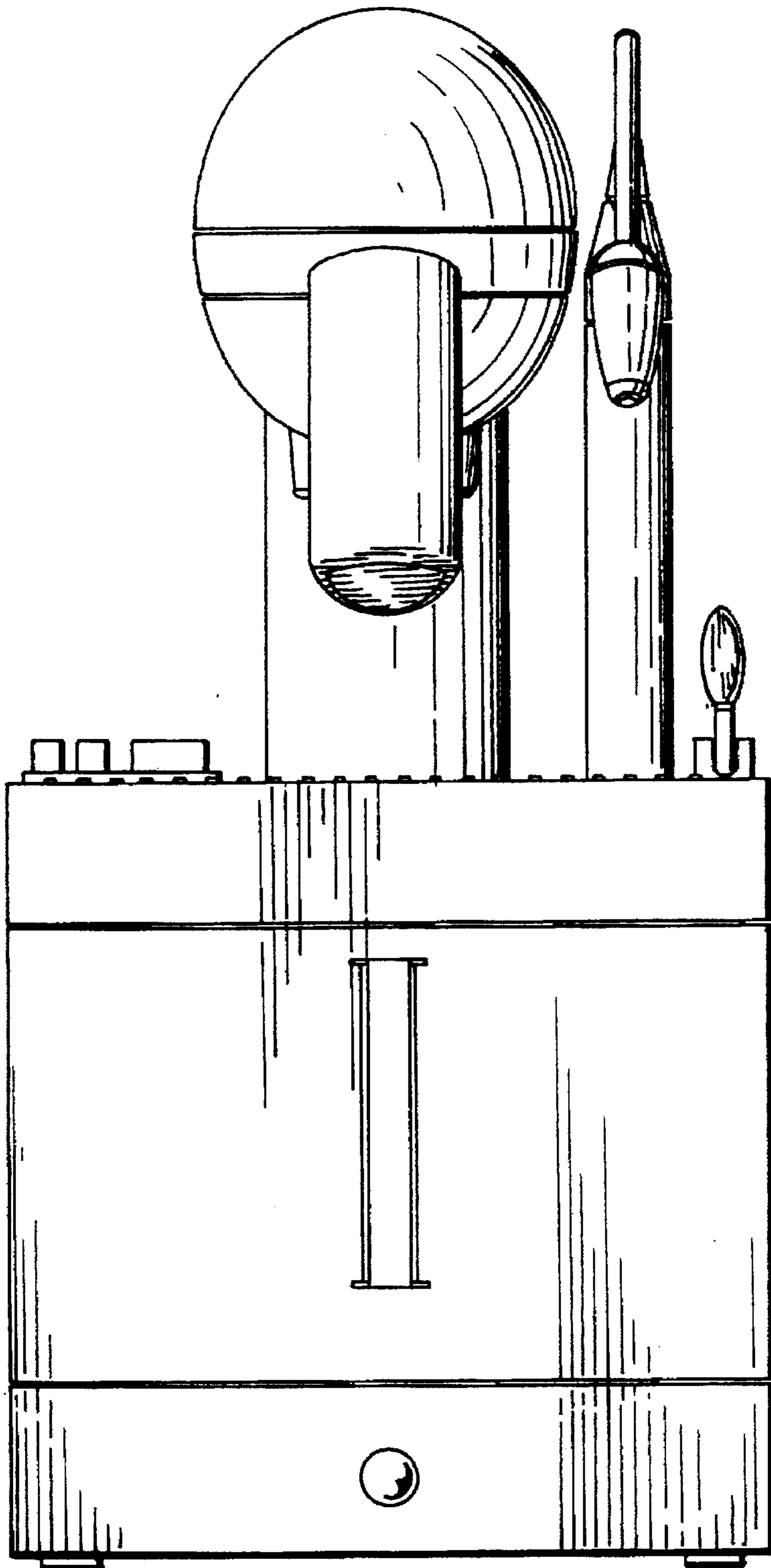


FIG. 4

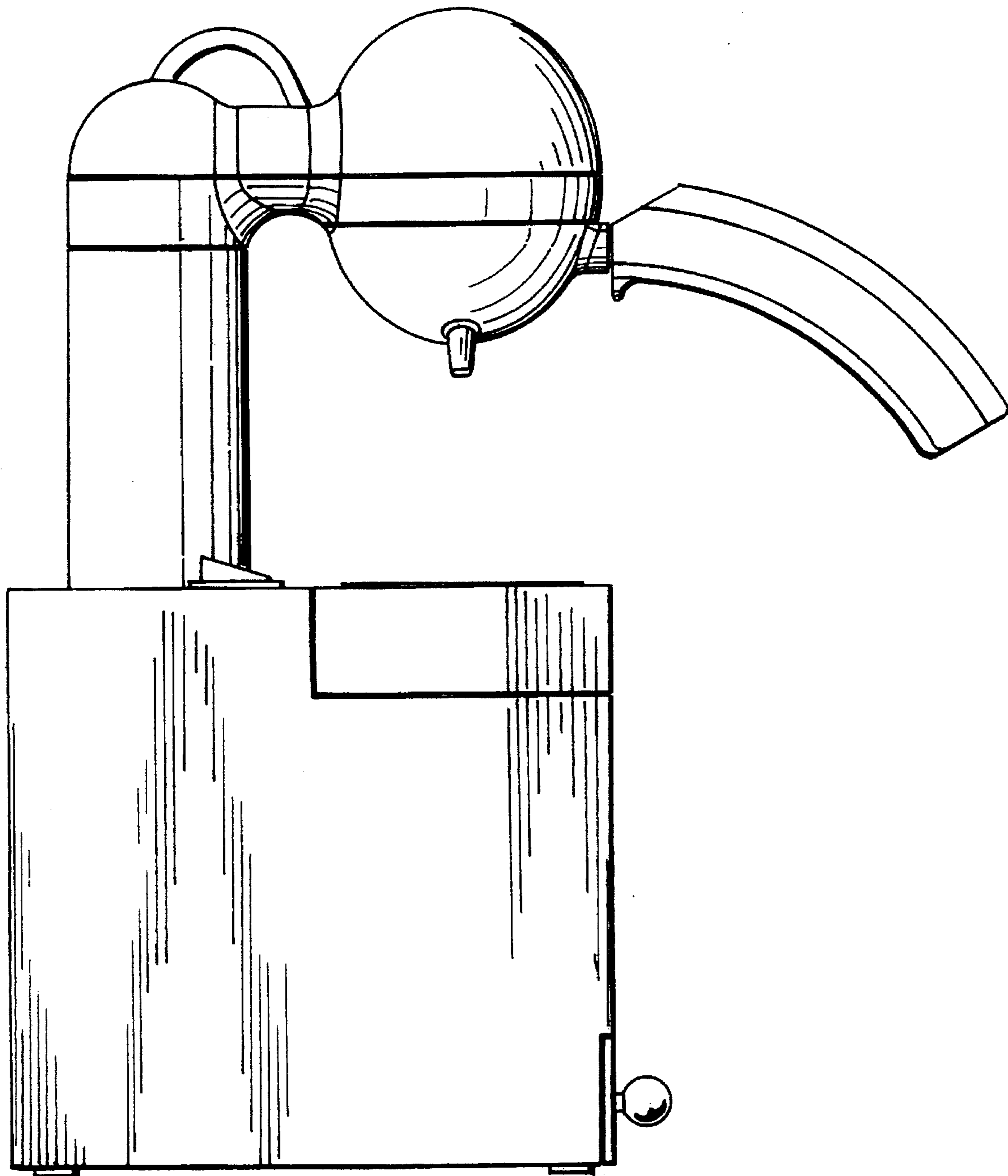


FIG. 5

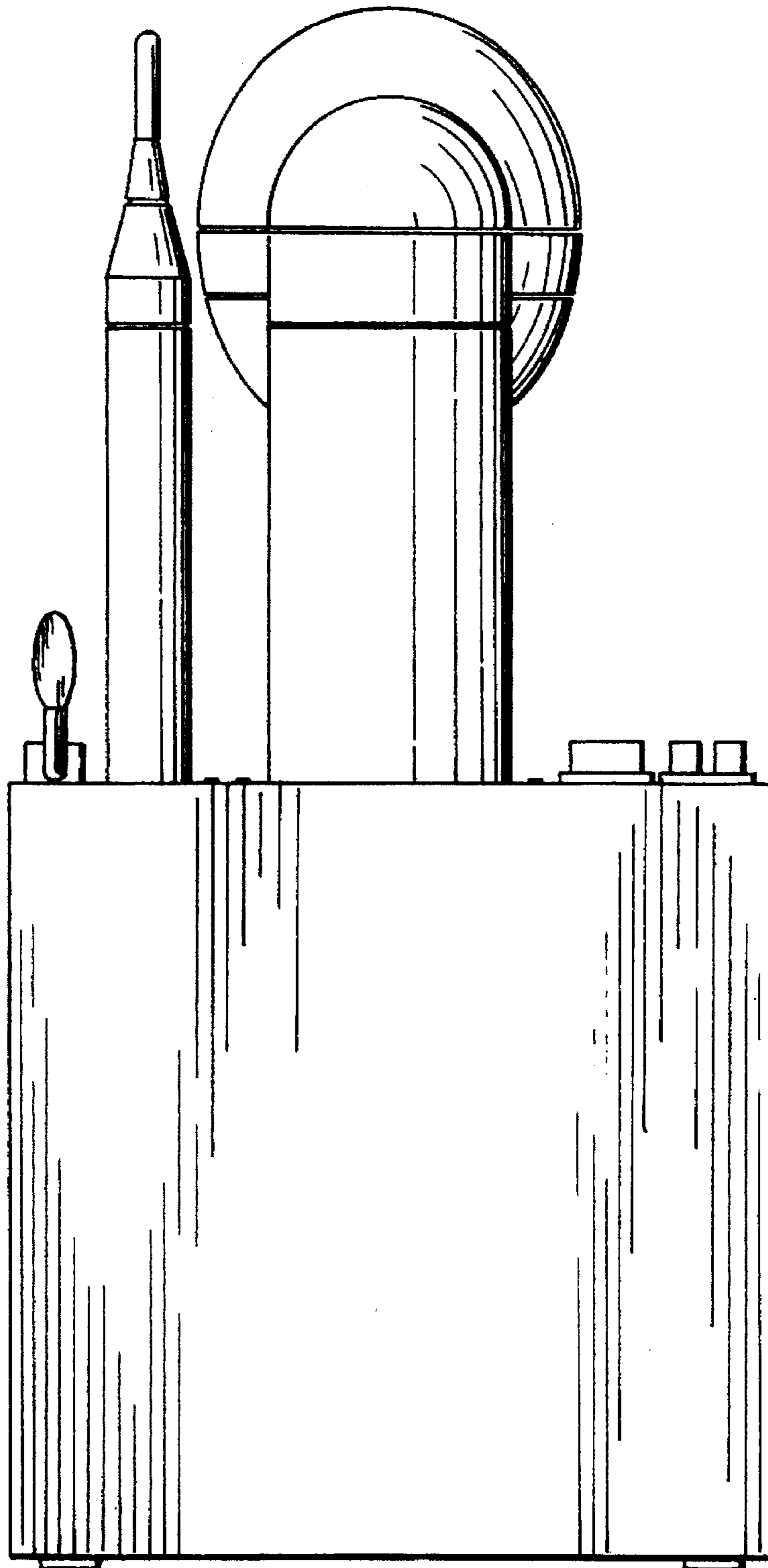


FIG. 6

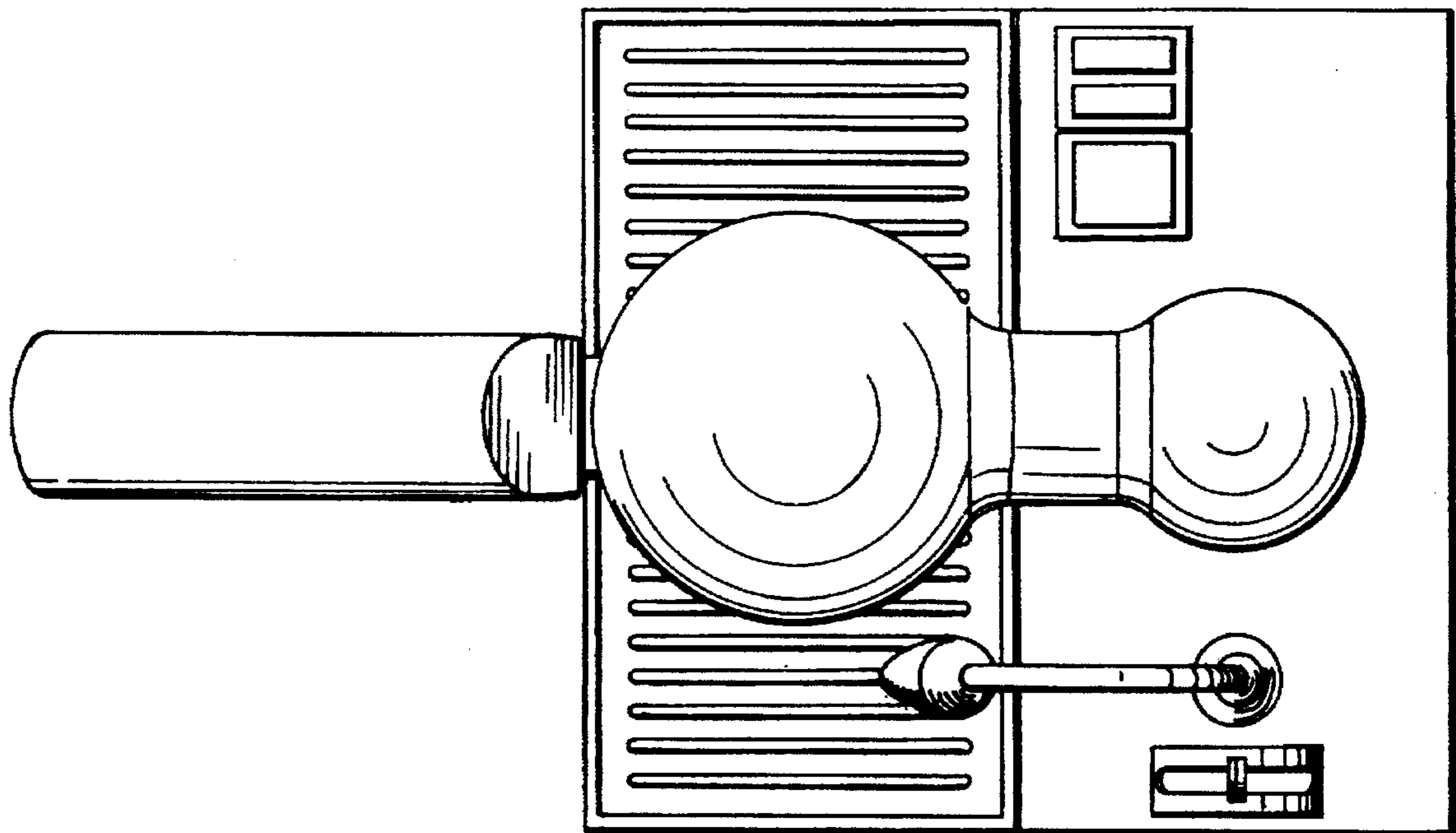


FIG. 7

