



US00D382760S

United States Patent [19]
Priest

[11] **Patent Number: Des. 382,760**
[45] **Date of Patent: **Aug. 26, 1997**

[54] **WEIGHING DISPENSER**

[76] **Inventor: Thomas J. Priest, 31 York Dr.,
Coventry, R.I. 02816**

[**] **Term: 14 Years**

[21] **Appl. No.: 42,246**

[22] **Filed: Aug. 4, 1995**

[51] **LOC (6) Cl. 07-02**

[52] **U.S. Cl. D7/305; D7/300; D7/397**

[58] **Field of Search D7/305, 306, 313,
D7/300, 397, 387; D10/91, 87, 88**

[56] **References Cited**

U.S. PATENT DOCUMENTS

- D. 167,222 7/1952 Parcher D7/306 X
- D. 237,062 10/1975 Teraoka D10/91
- D. 273,280 4/1984 Haigh et al. D10/91
- D. 275,924 10/1987 Andrews, Jr. D7/306 X
- D. 300,124 3/1989 Dungener D10/91
- D. 302,798 8/1989 Wolff, Jr. D10/91
- D. 305,103 12/1989 Kennedy D10/91
- D. 344,204 2/1994 Dixon D7/313 X

Primary Examiner—M. N. Pandozzi
Attorney, Agent, or Firm—Harold H. Dutton, Jr.; Diane F. Liebman

[57] **CLAIM**

The ornamental design for a weighing dispenser, as shown and described.

DESCRIPTION

FIG. 1 is a perspective view of a weighing dispenser showing my new design;

FIG. 2 is a front view of the weighing portion of the weighing dispenser, the display portion being removed for ease of illustration;

FIG. 3 is a rear view thereof;

FIG. 4 is a left side view thereof;

FIG. 5 is a right side view thereof;

FIG. 6 is a top view thereof;

FIG. 7 is a bottom view thereof;

FIG. 8 is a front view of the display portion of the weighing dispenser, the weighing portion being removed for ease of illustration;

FIG. 9 is a rear view thereof;

FIG. 10 is a left side view thereof;

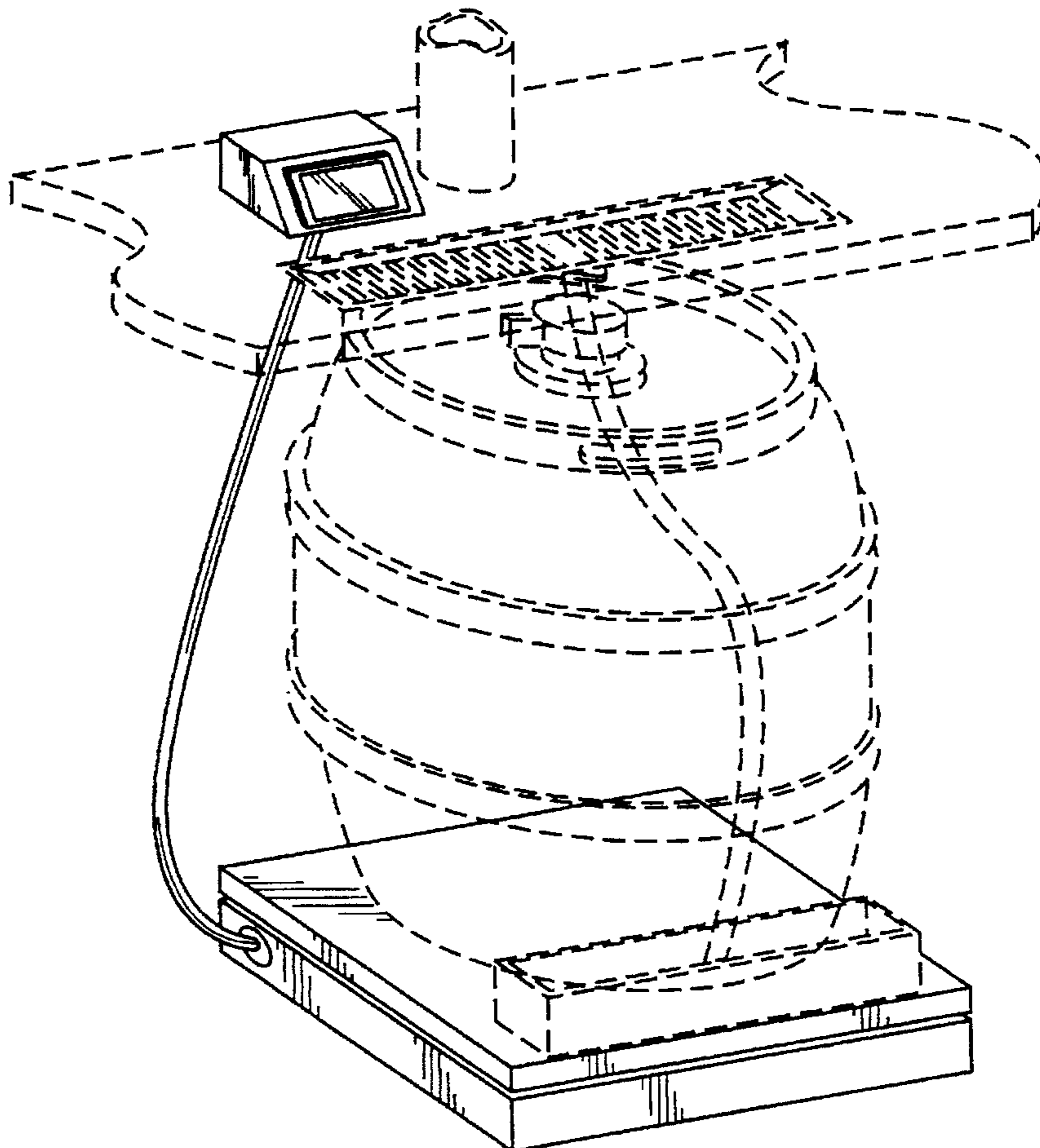
FIG. 11 is a right side view thereof;

FIG. 12 is a top view thereof; and,

FIG. 13 is a bottom view thereof.

The broken line shown in FIG. 1 is for illustrative purposes only and forms no part of the claimed design.

1 Claim, 7 Drawing Sheets



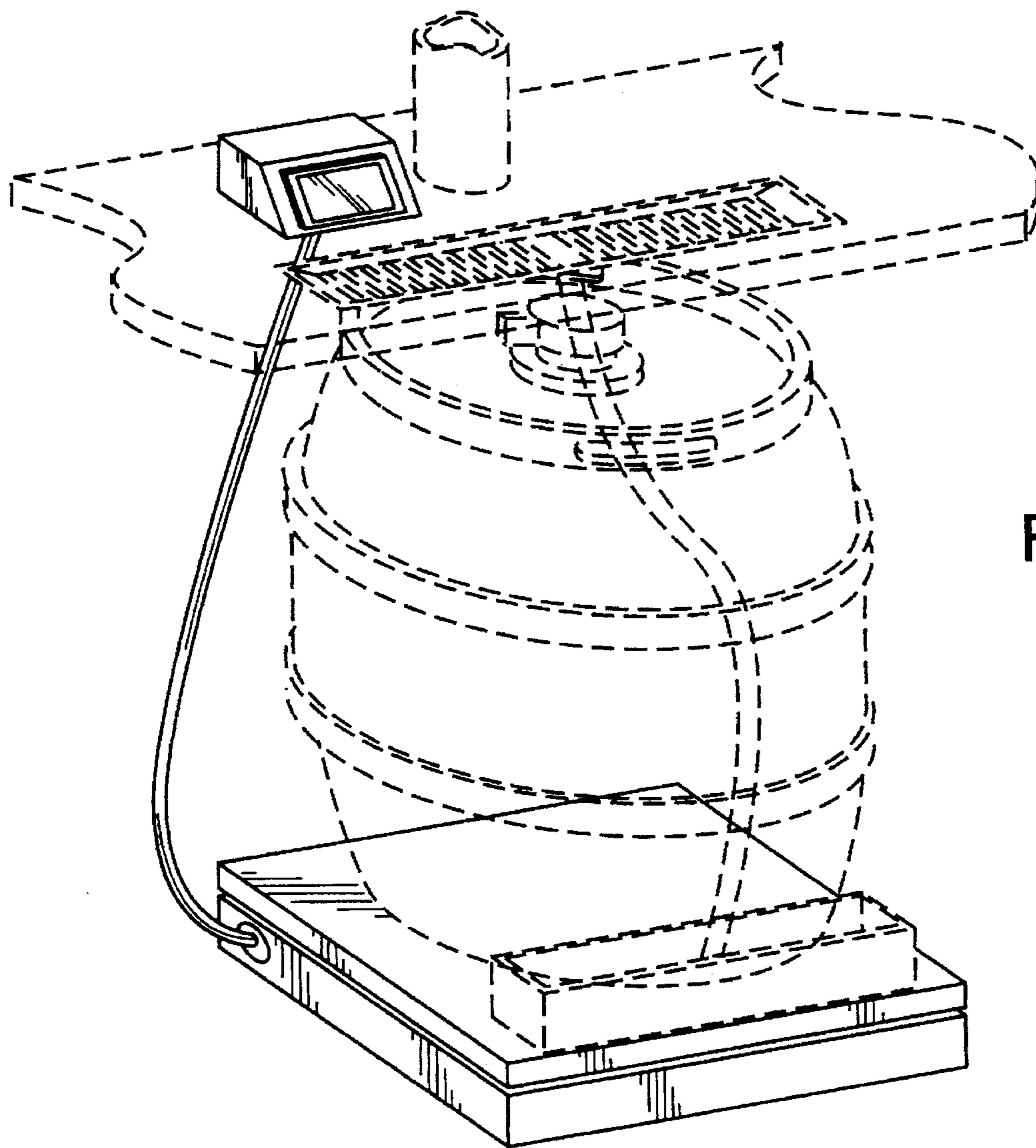


FIG. 1

FIG. 2

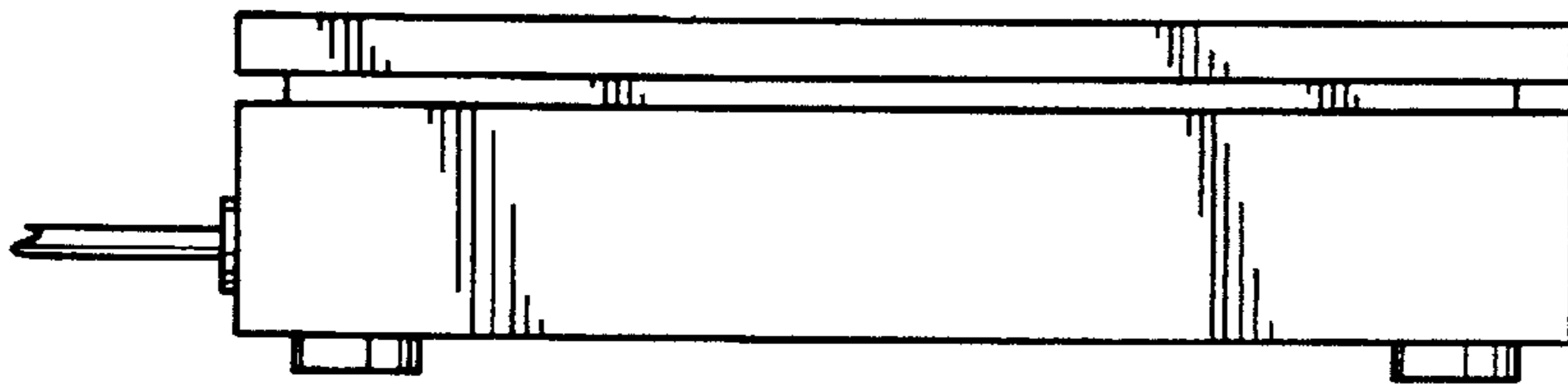


FIG. 3

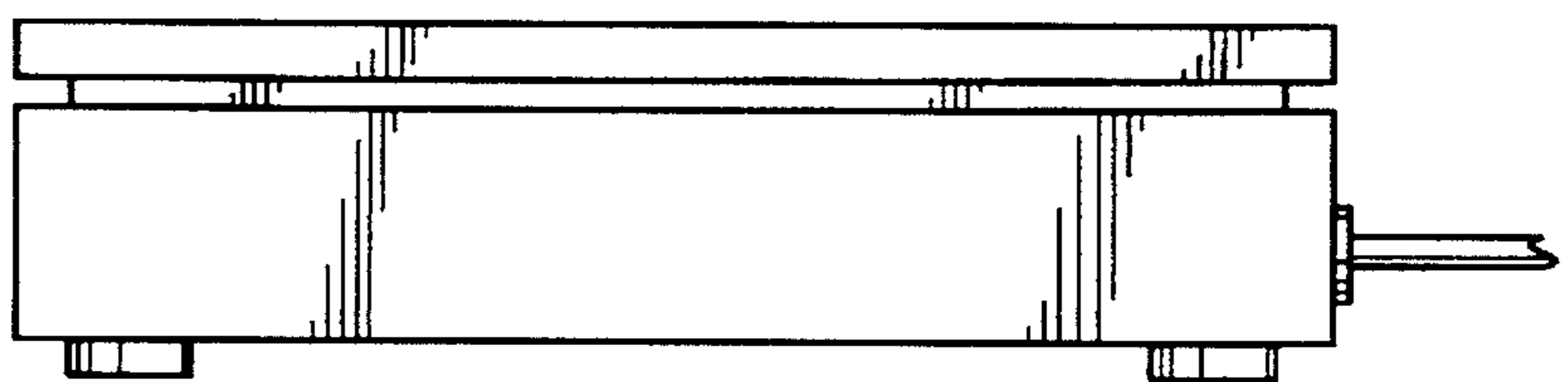


FIG. 4

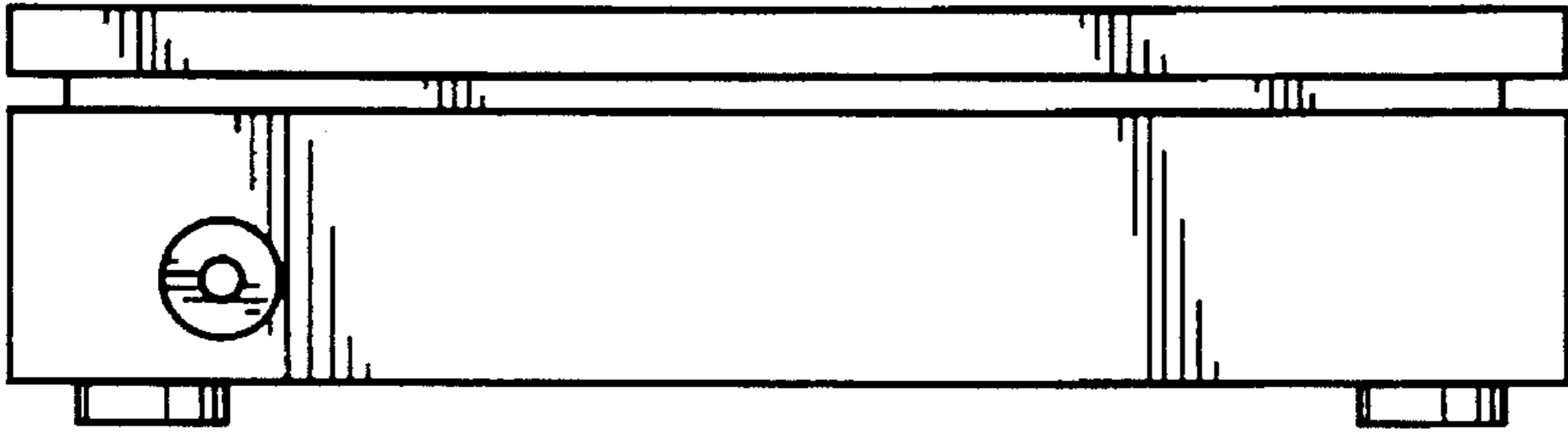
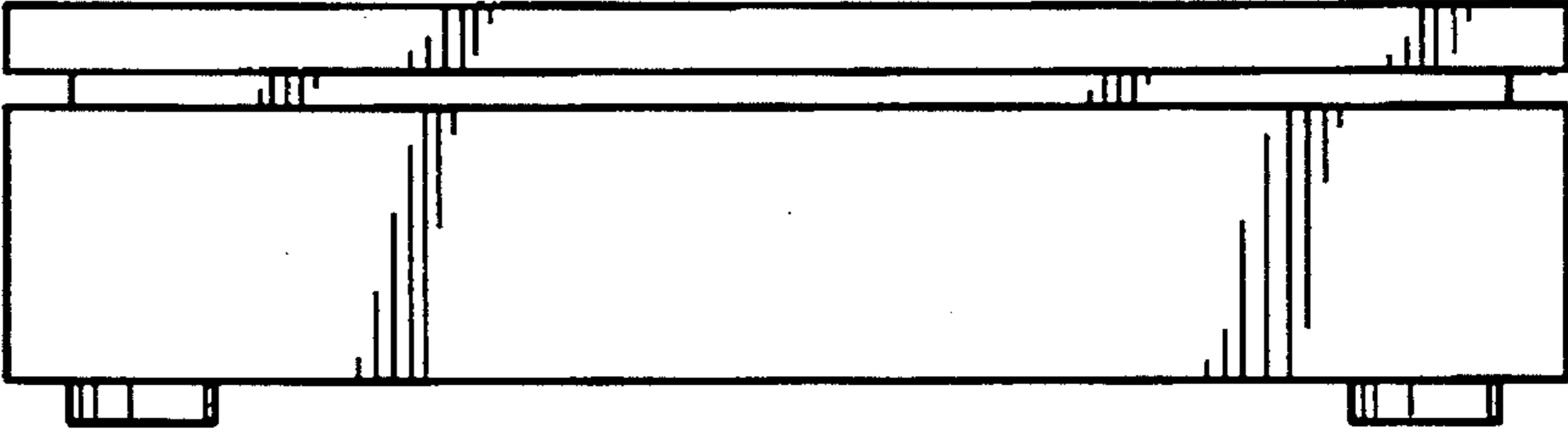


FIG. 5



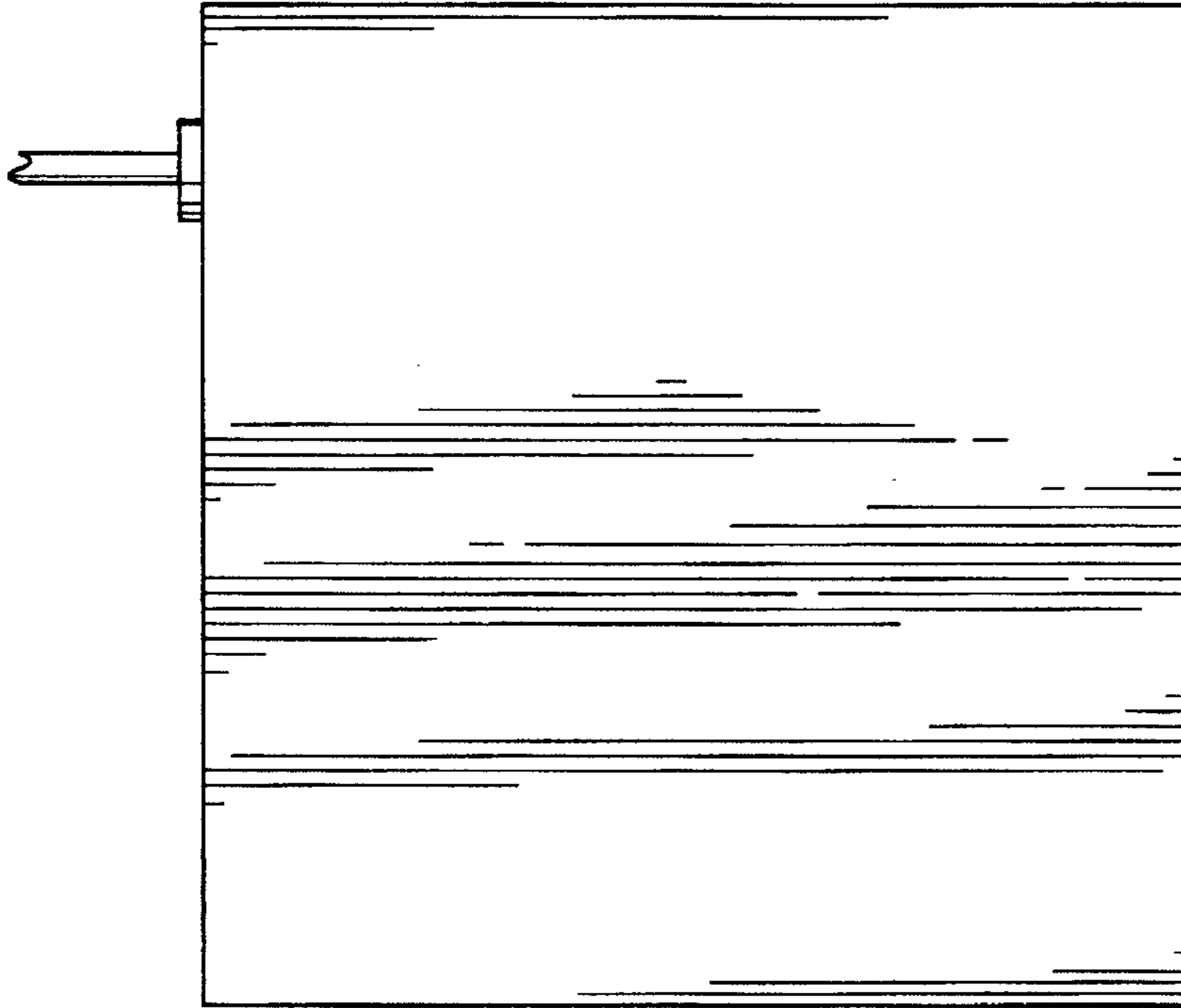


FIG. 6

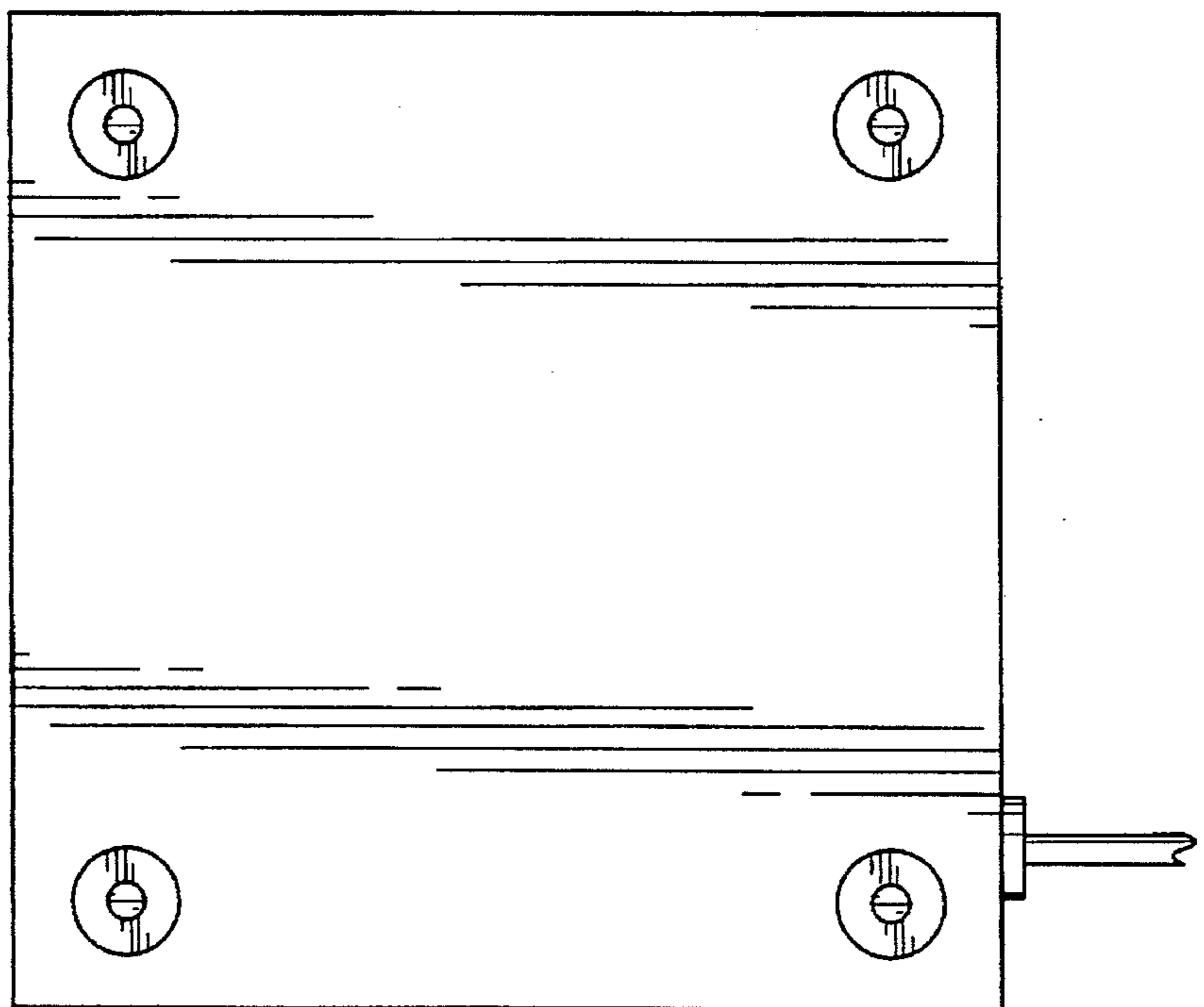


FIG. 7

FIG. 8

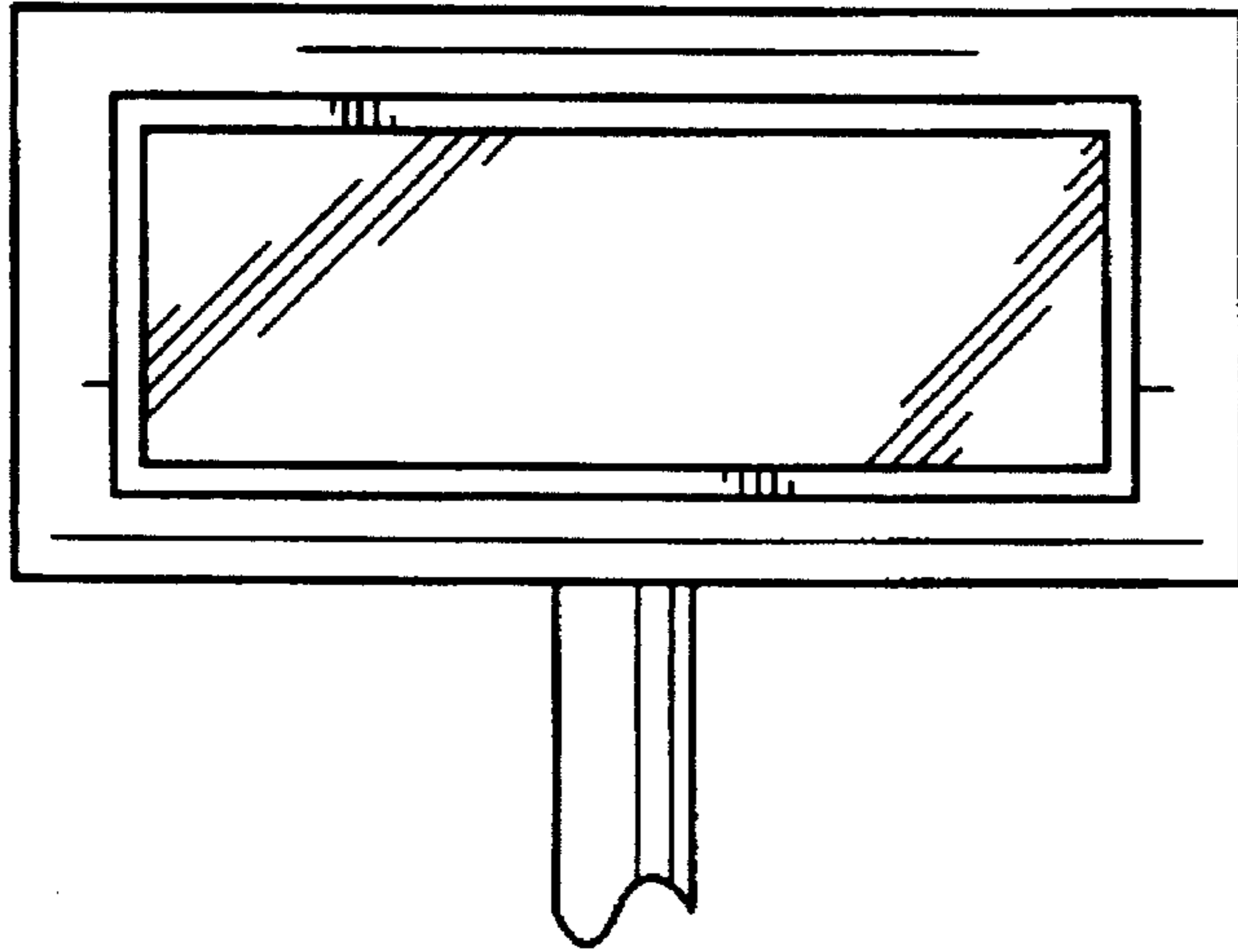
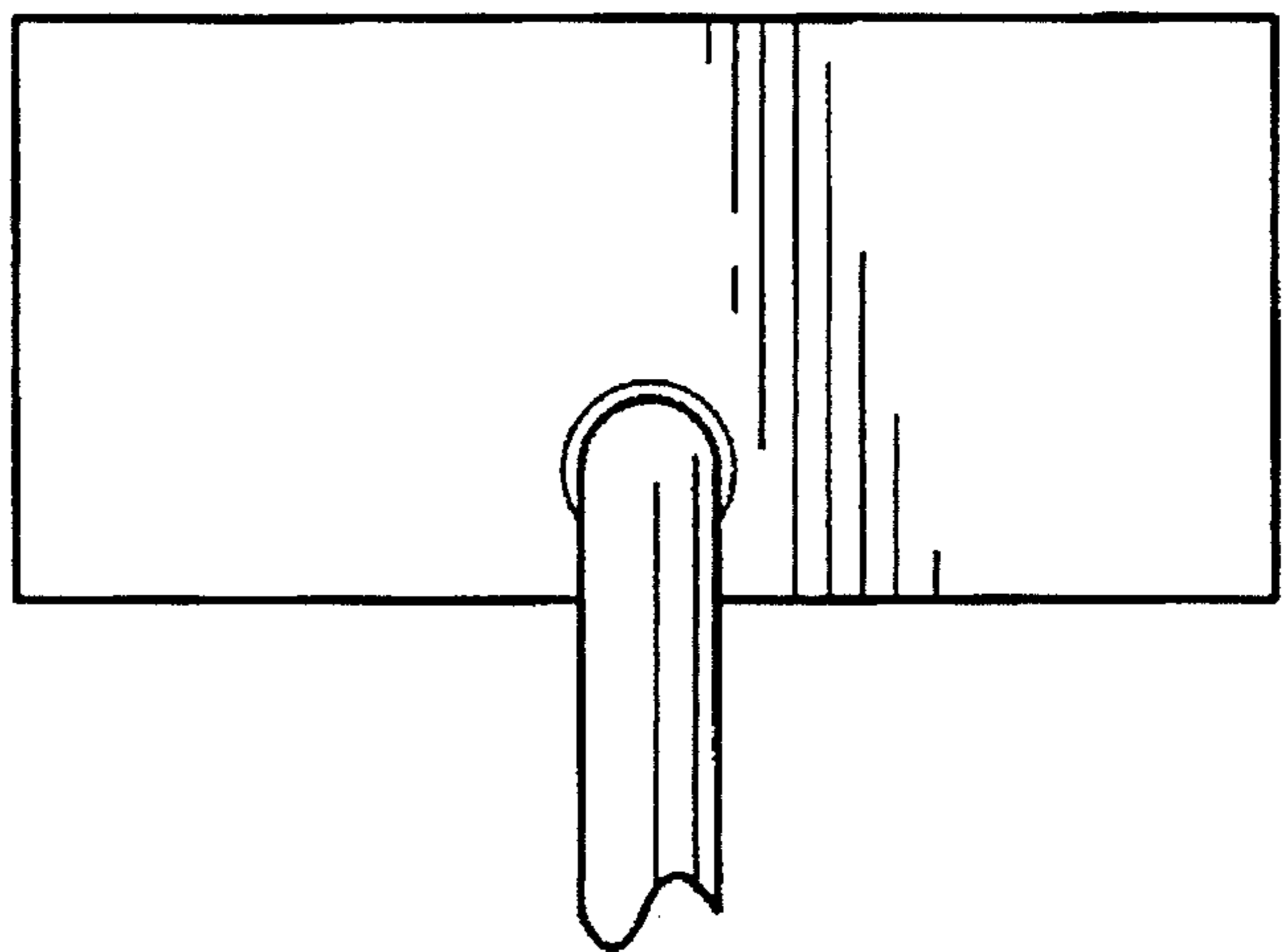


FIG. 9



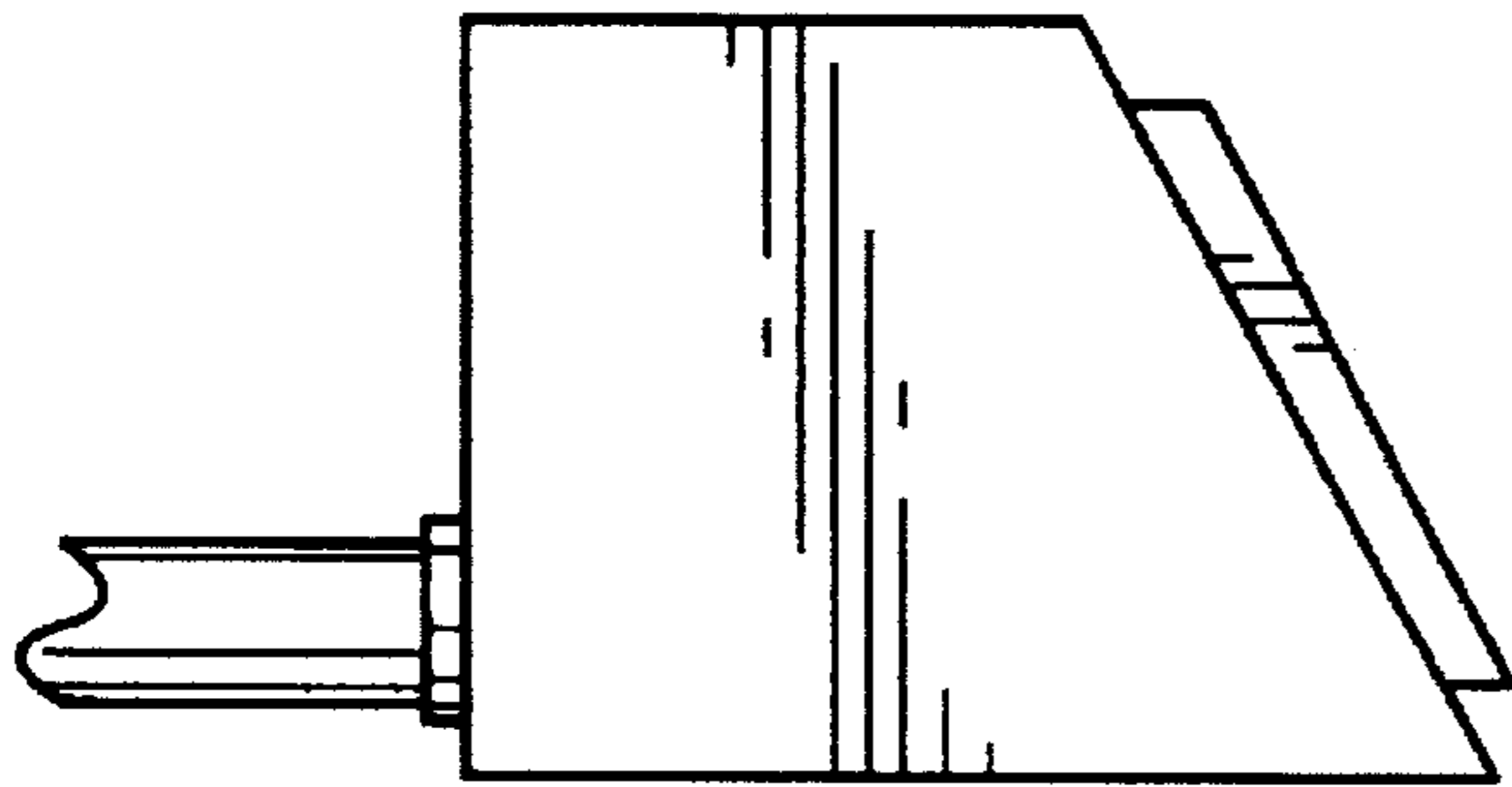


FIG. 10

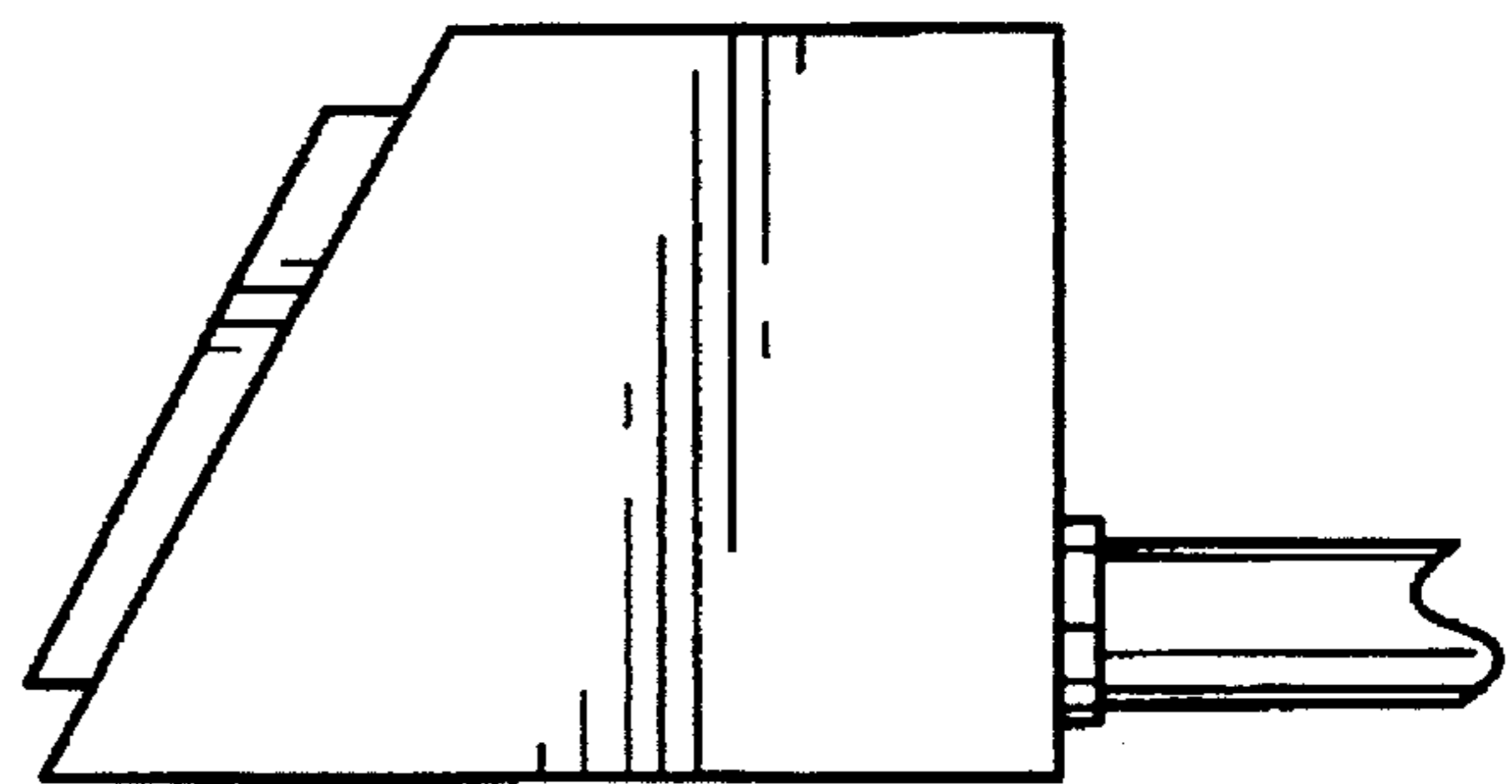


FIG. 11

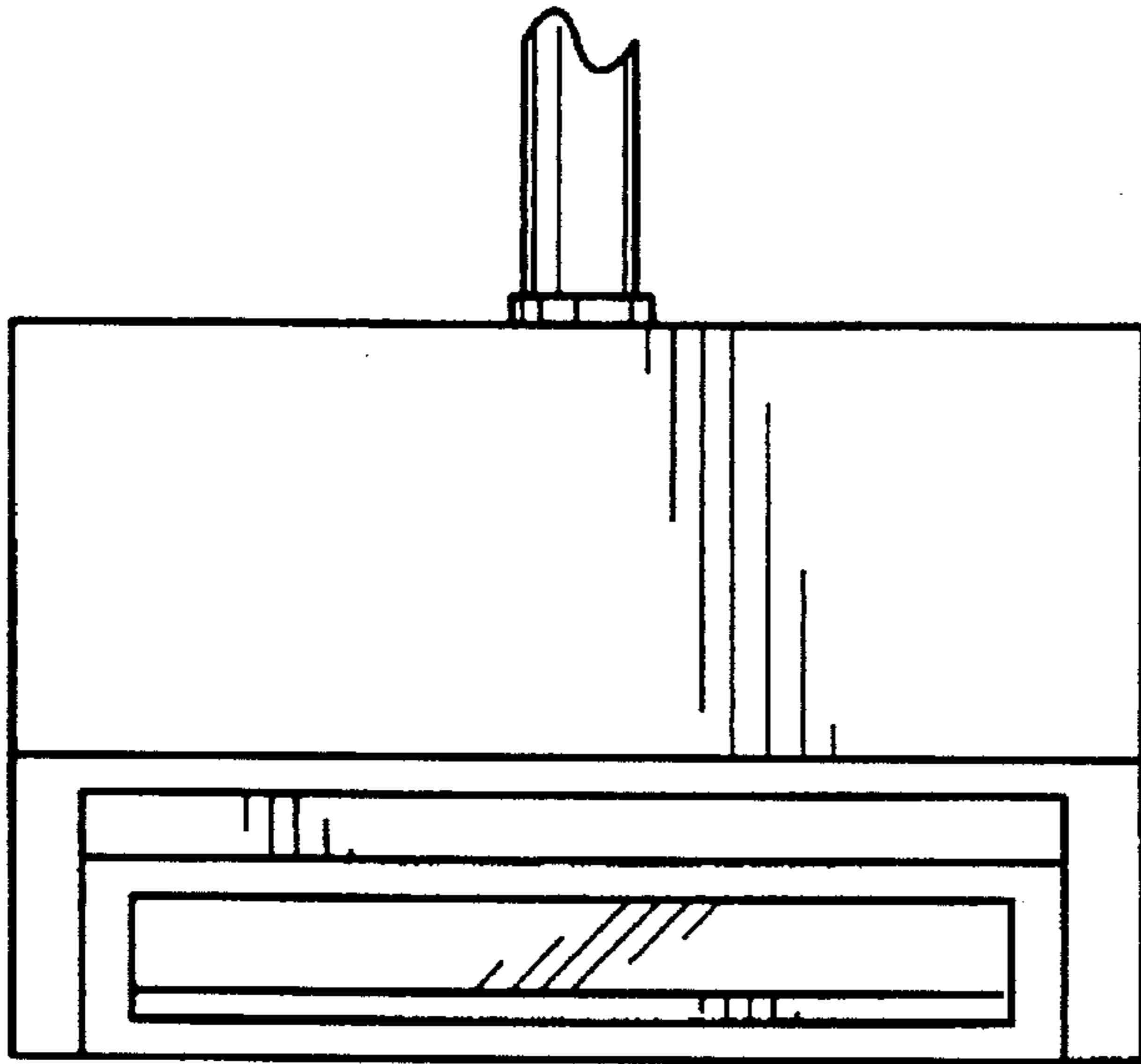


FIG. 12

FIG. 13

