



US00D382759S

United States Patent [19]
Adaska

[11] **Patent Number: Des. 382,759**

[45] **Date of Patent: **Aug. 26, 1997**

[54] **DRINKING STRAW**

FOREIGN PATENT DOCUMENTS

[76] **Inventor: Jerry Adaska, 1954 18th St., Cuyahoga Falls, Ohio 44223**

1322928 2/1963 France D7/300.2

[**] **Term: 14 Years**

Primary Examiner—Terry A. Wallace

[21] **Appl. No.: 57,152**

[57] **CLAIM**

[22] **Filed: Jul. 17, 1996**

The ornamental design for the drinking straw, as shown and described.

[51] **LOC (6) Cl. 07-06**

DESCRIPTION

[52] **U.S. Cl. D7/300.2**

[58] **Field of Search D7/300.2; 239/33; 215/388**

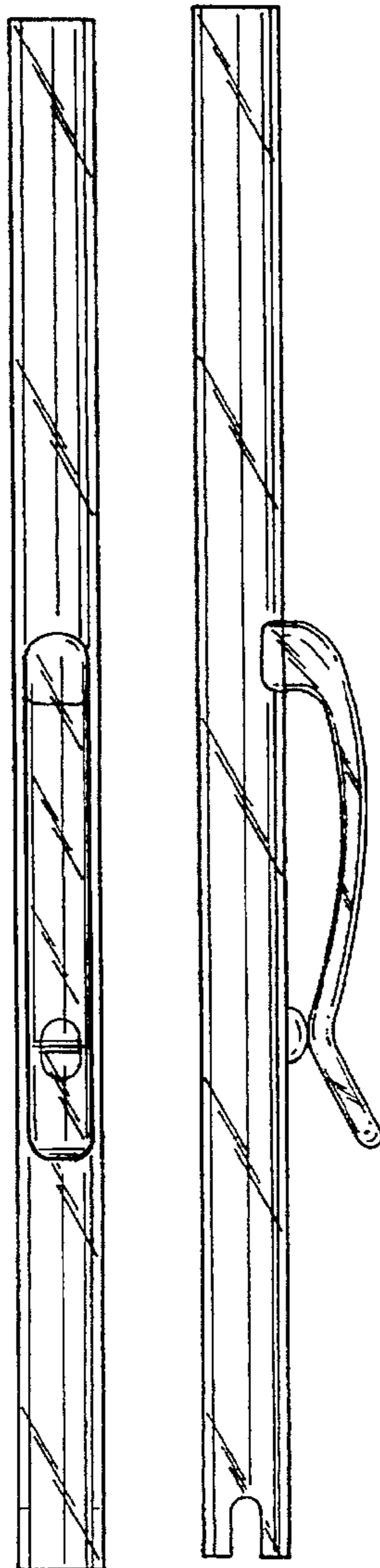
FIG. 1 is a right side elevation view of a drinking straw showing my new design, the broken lines are for illustrative purposes only and form no part of the claimed design; FIG. 2 is a front elevation view thereof; FIG. 3 is a top plan view thereof; FIG. 4 is a bottom plan view thereof; FIG. 5 is a left side elevation view thereof; and, FIG. 6 is a rear elevation view thereof.

[56] **References Cited**

U.S. PATENT DOCUMENTS

| | | | |
|------------|--------|--------------------|----------|
| D. 332,198 | 1/1993 | Goodman, Jr. | D7/300.2 |
| 1,494,742 | 5/1924 | Hills | 239/33 X |
| 4,843,836 | 7/1989 | Childers | 62/457.4 |
| 5,335,851 | 8/1994 | Adaska et al. | 239/33 |

1 Claim, 2 Drawing Sheets



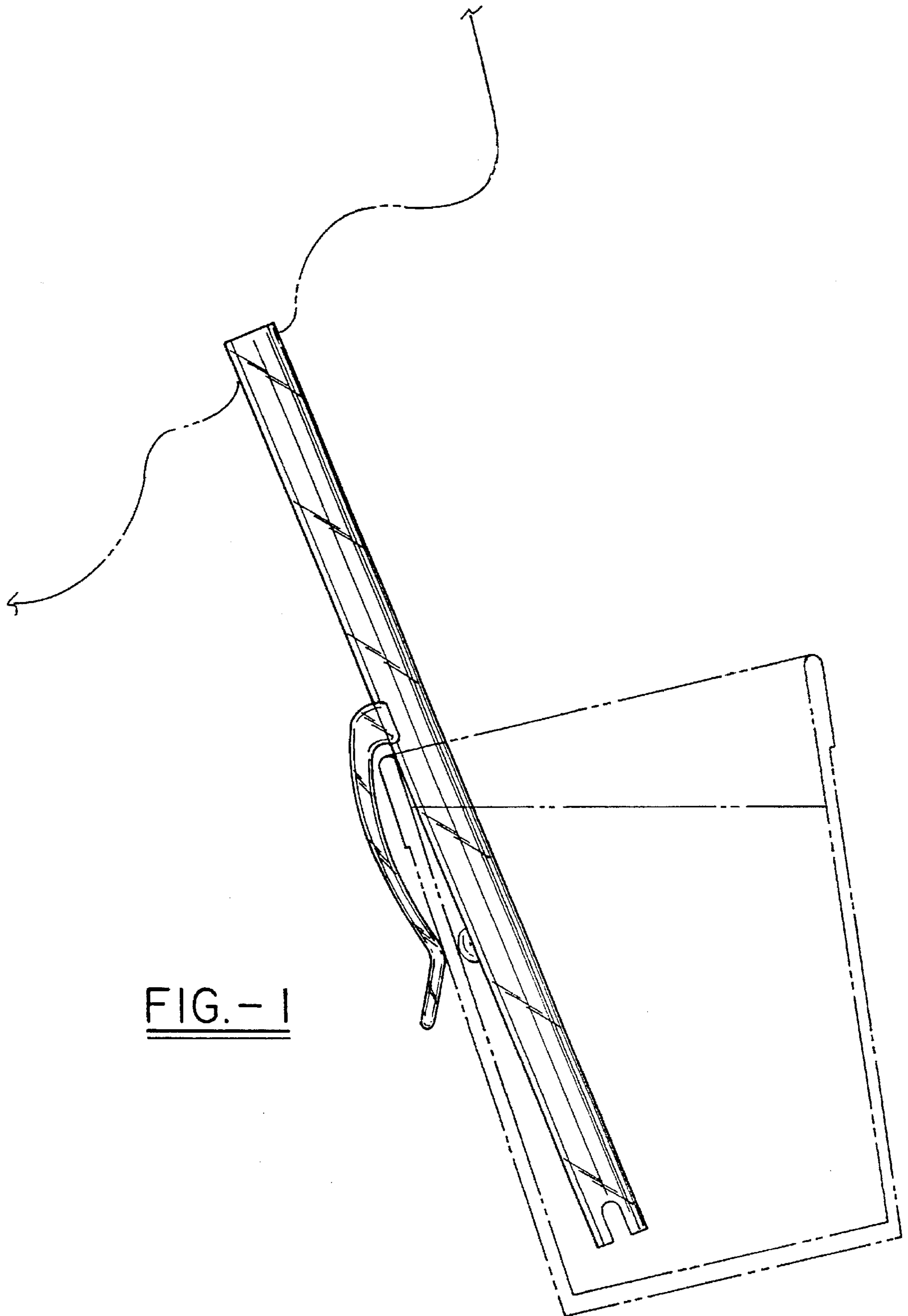


FIG. - 1



FIG.-3

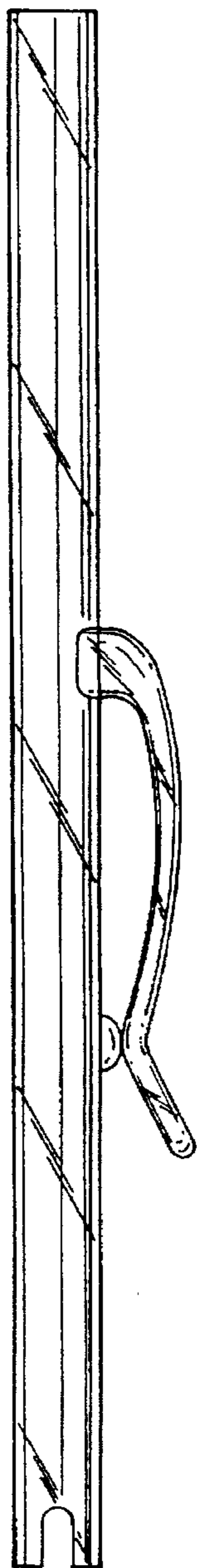


FIG.-5



FIG.-2



FIG.-6

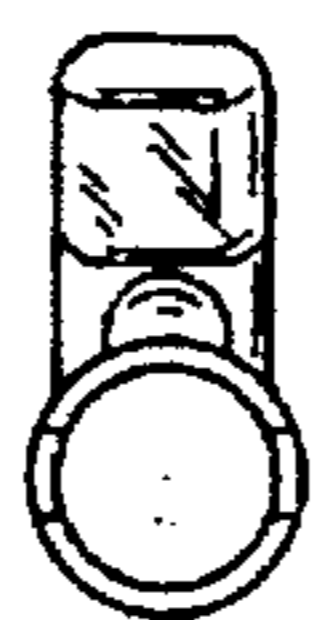


FIG.-4