



US00D382754S

United States Patent [19]
Siegel et al.

[11] **Patent Number: Des. 382,754**
[45] **Date of Patent: **Aug. 26, 1997**

[54] **ROLLER SHADE**

[75] Inventors: **Leonard Siegel**, New York, N.Y.;
Harold Sattler, Tenafly, N.J.

[73] Assignee: **Verosol USA Inc.**, Pittsburgh, Pa.

[**] Term: **14 Years**

[21] Appl. No.: **31,755**

[22] Filed: **Dec. 5, 1994**

[51] **LOC (6) Cl.** **06-10**

[52] **U.S. Cl.** **D6/575**

[58] **Field of Search** D6/575; D5/52,
D5/53, 60; 160/23.1, 264, 321

[56] **References Cited**

U.S. PATENT DOCUMENTS

D. 33,808	12/1900	Williams	D5/53
D. 50,188	1/1917	Fauser	D5/53
D. 62,876	8/1923	Boynton	D5/53
D. 96,114	7/1935	Hiedemann	D5/53
D. 112,569	12/1938	Billings	D5/60
D. 122,740	9/1940	Frischer	D5/52
D. 168,633	1/1953	Odzer	D5/53
D. 170,144	8/1953	Buckley	D6/53
D. 181,510	11/1957	Wolkowitz	D21/6
D. 183,693	10/1958	Howell	D5/53
D. 185,028	4/1959	McCord	D5/53
D. 260,838	9/1981	Kato	D6/205
1,054,207	2/1913	Jackson	.	
5,503,210	4/1996	Colson et al.	160/84.05

OTHER PUBLICATIONS

Drapery and Window Coverings/ Jan., 1994, p. 58, namely the SlumberScenes illustrated roller shade of Ever Sun Co. "A window view second to none" brochure of The Up and Down Shade Company advertising their Peti Pleat trademark, undated.

Primary Examiner—Gary D. Watson
Attorney, Agent, or Firm—Buchanan Ingersoll, P.C.; Lynn J. Alstadt

[57] **CLAIM**

The ornamental design for a roller shade, as shown and described.

DESCRIPTION

FIG. 1 is a perspective view of our design for a roller shade; FIG. 2 is a front elevational view thereof; FIG. 3 is a top plan view thereof; FIG. 4 is a left side view thereof, the right side being a mirror image of this figure; FIG. 5 is a rear elevational view thereof; FIG. 6 is a bottom plan view thereof; and, FIG. 7 is an elevational view of the portion of the fabric on the front of the roller shade shown within the circled area 7 of FIG. 2.

The broken line showings of a headrail and a pull cord are for environmental purposes only and form no part of the claimed design.

The fragmentary showing of fabric in FIGS. 1, 2, 3, 5 and 6 is continuous.

1 Claim, 4 Drawing Sheets

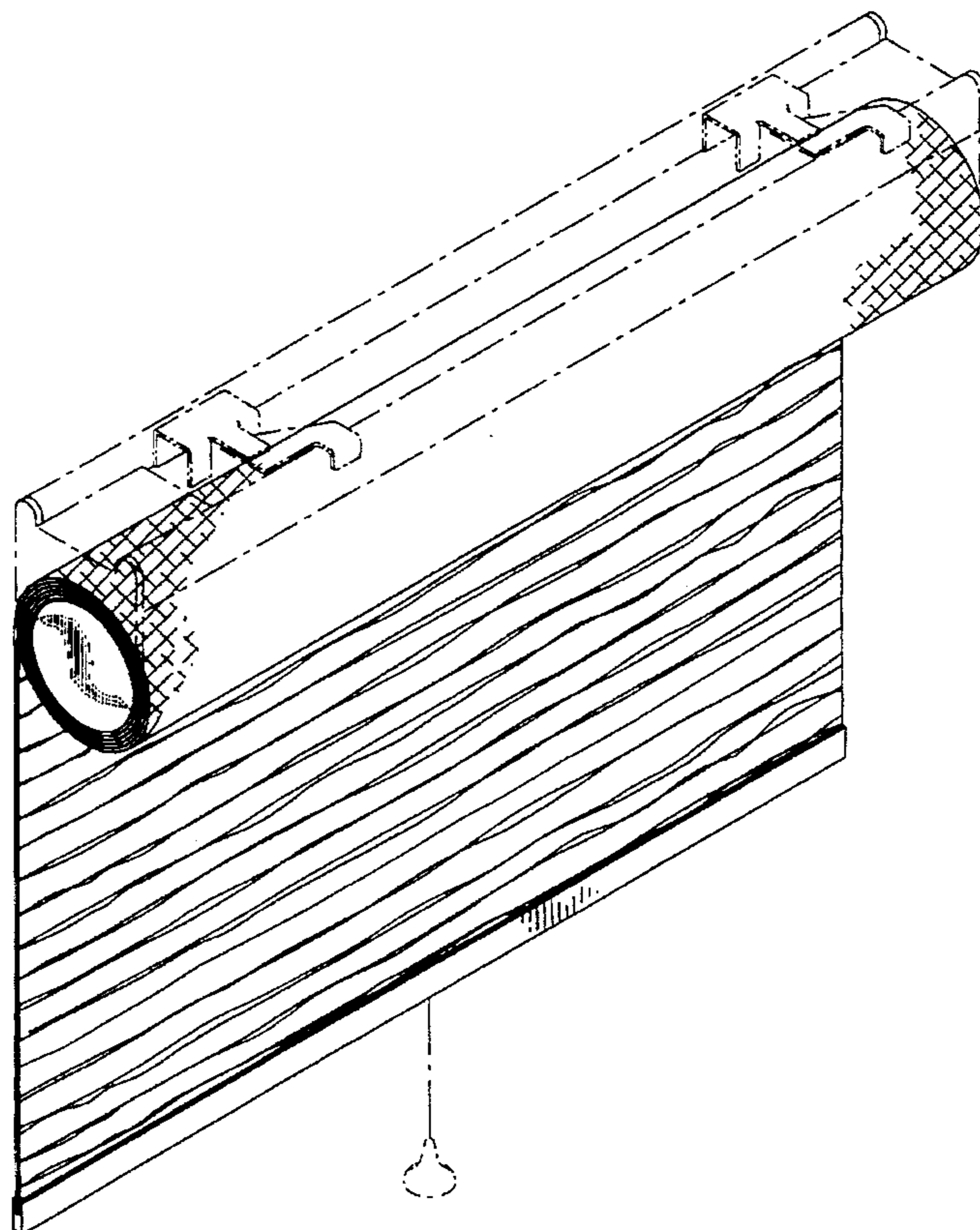


FIG. 1

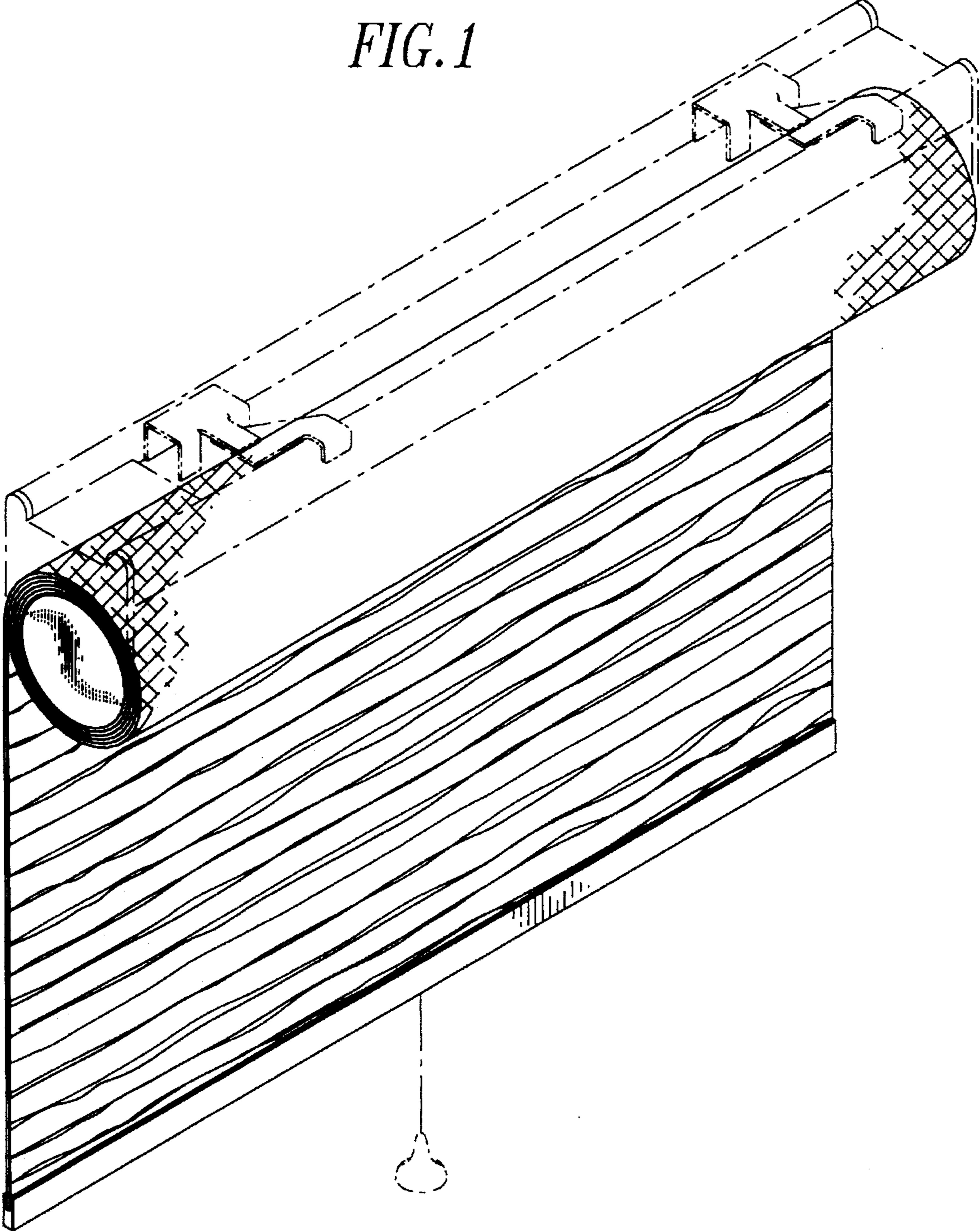


FIG. 3

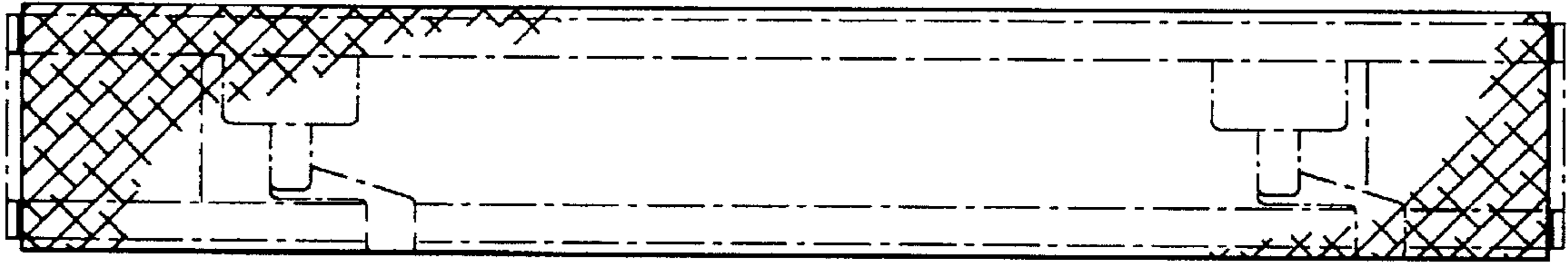
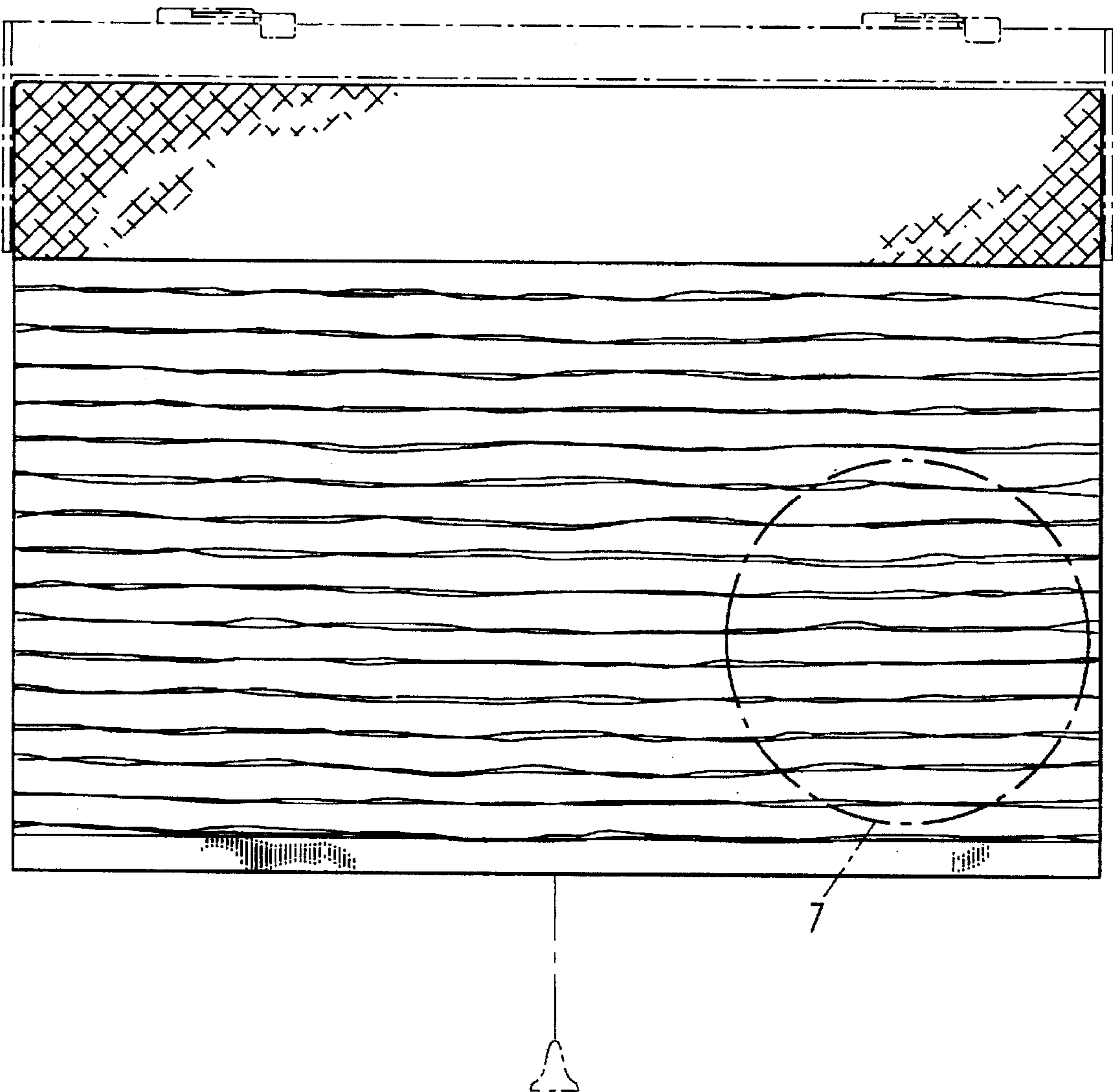


FIG. 2



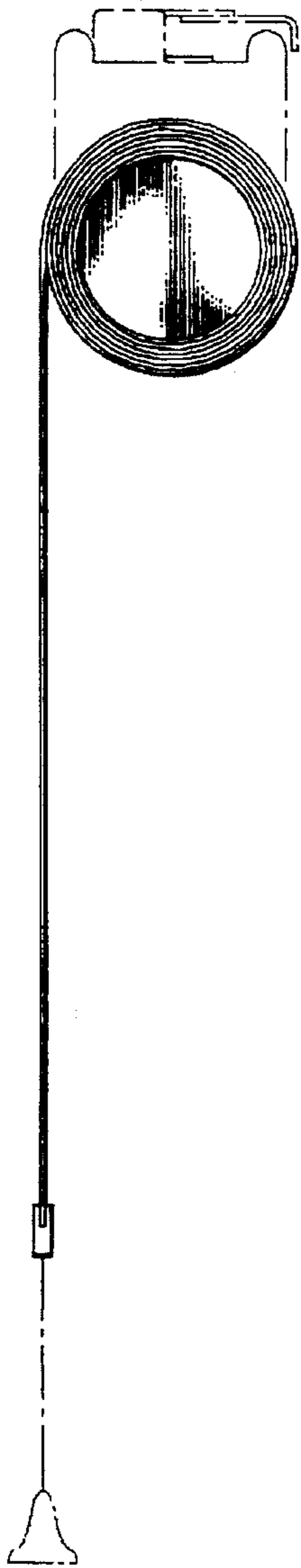


FIG. 4

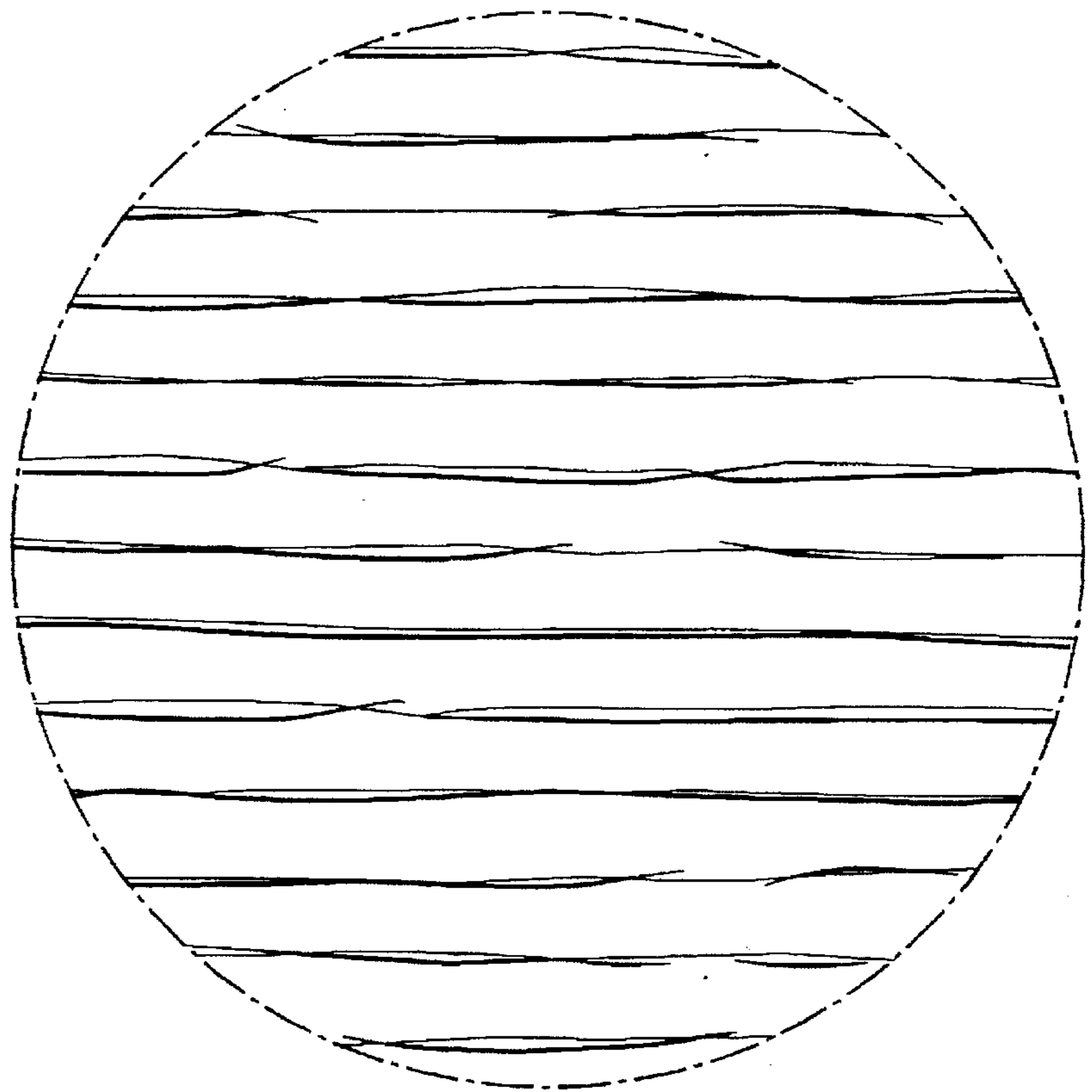


FIG. 7

FIG. 5

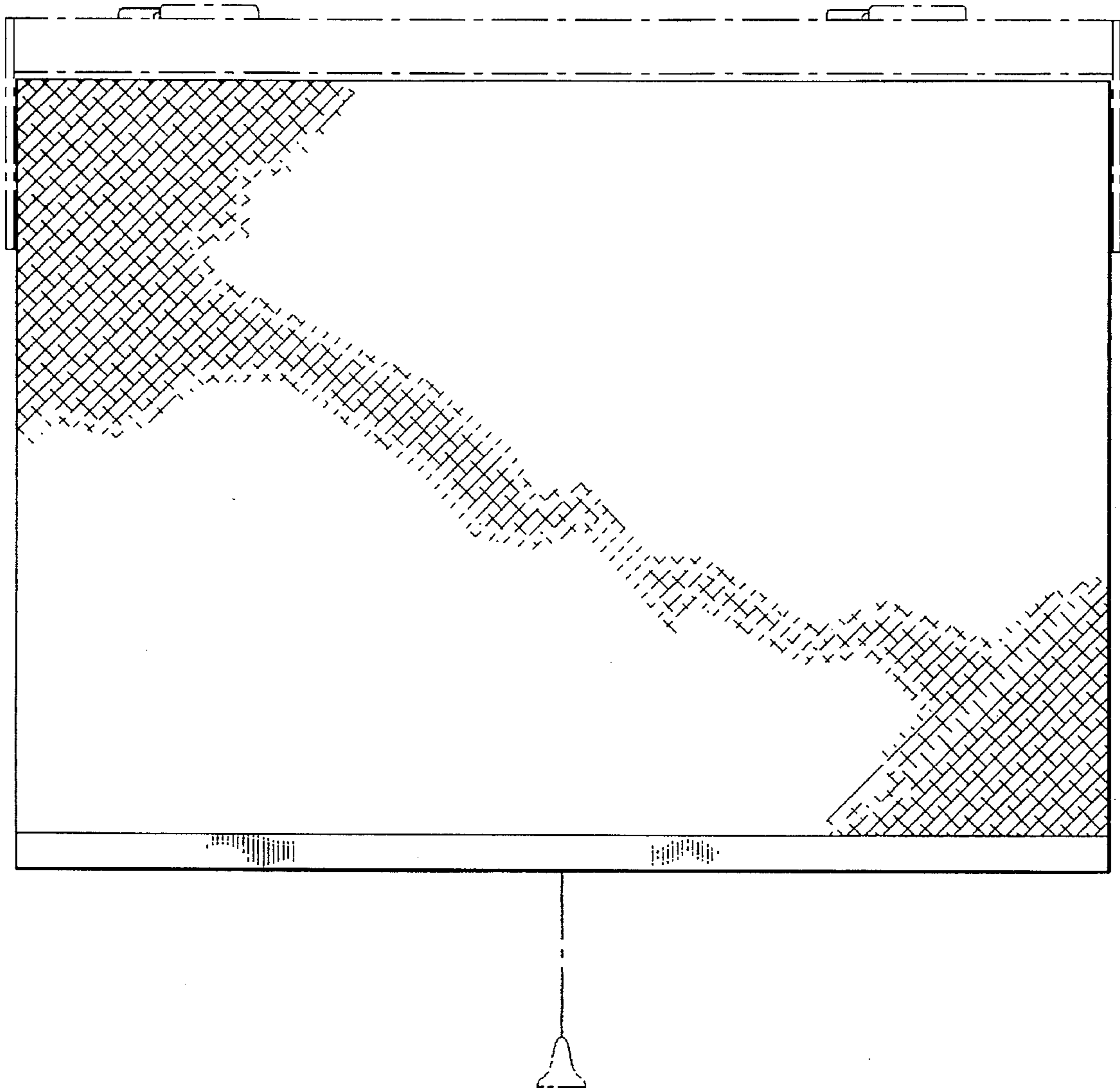


FIG. 6

