



US00D382751S

**United States Patent** [19]  
**Andrus**

[11] **Patent Number:** **Des. 382,751**  
[45] **Date of Patent:** **\*\*Aug. 26, 1997**

[54] **TOILET ARTICLE CARRIER**  
[75] **Inventor:** **Leonard C. Andrus**, Plymouth, Mich.  
[73] **Assignee:** **Brass-Craft Manufacturing Company**,  
Novi, Mich.  
[\*\*] **Term:** **14 Years**  
[21] **Appl. No.:** **52,311**  
[22] **Filed:** **Apr. 2, 1996**  
[51] **LOC (6) Cl.** ..... **06-02**  
[52] **U.S. Cl.** ..... **D6/525; D6/562**  
[58] **Field of Search** ..... **D6/524-525, 562;**  
**108/42, 59; 211/86, 88, 89, 90, 126, 134,**  
**106**

5,014,860 5/1991 Emery ..... 211/106

**OTHER PUBLICATIONS**

Lillian Vernon Catalogue p. 27, "2 Corner Shelves".

*Primary Examiner*—Brian N. Vinson

*Attorney, Agent, or Firm*—Myron B. Kapustij; Malcolm L. Sutherland

[57] **CLAIM**

The ornamental design for a toilet article carrier, as shown and described.

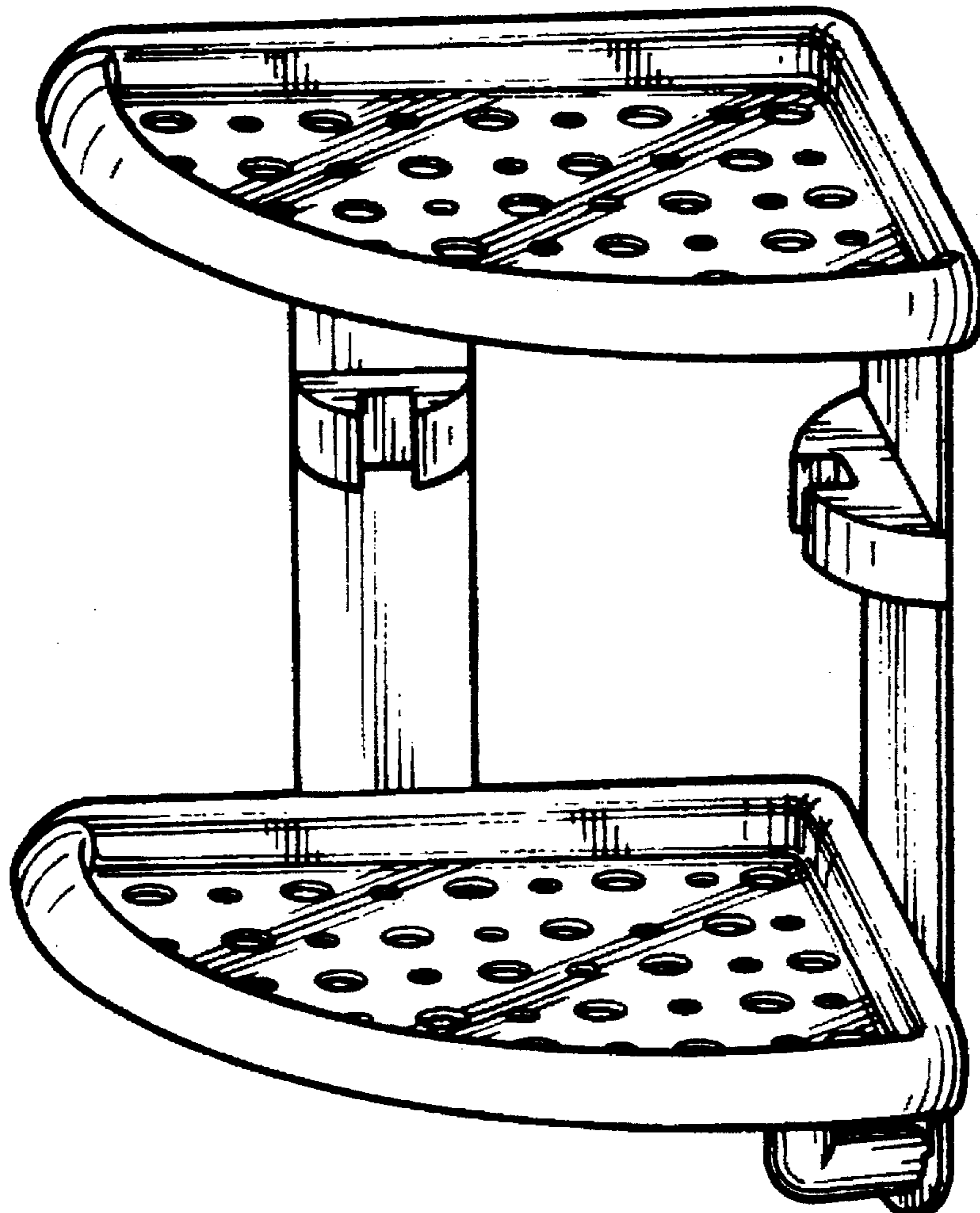
**DESCRIPTION**

FIG. 1 is a front perspective view of a toilet article carrier showing my new design;  
FIG. 2 is a front elevational view thereof;  
FIG. 3 is a rear elevational view thereof;  
FIG. 4 is a top plan view thereof;  
FIG. 5 is a bottom plan view thereof; and,  
FIG. 6 is a left side elevational view thereof, the right side being a mirror image.

[56] **References Cited**  
**U.S. PATENT DOCUMENTS**

D. 274,201 6/1984 Aaron ..... D6/525  
D. 329,158 9/1992 Tuzi ..... D6/525 X  
D. 351,751 10/1994 Brightbill et al. .... D6/525  
D. 364,767 12/1995 McLinden ..... D6/562 X

**1 Claim, 3 Drawing Sheets**



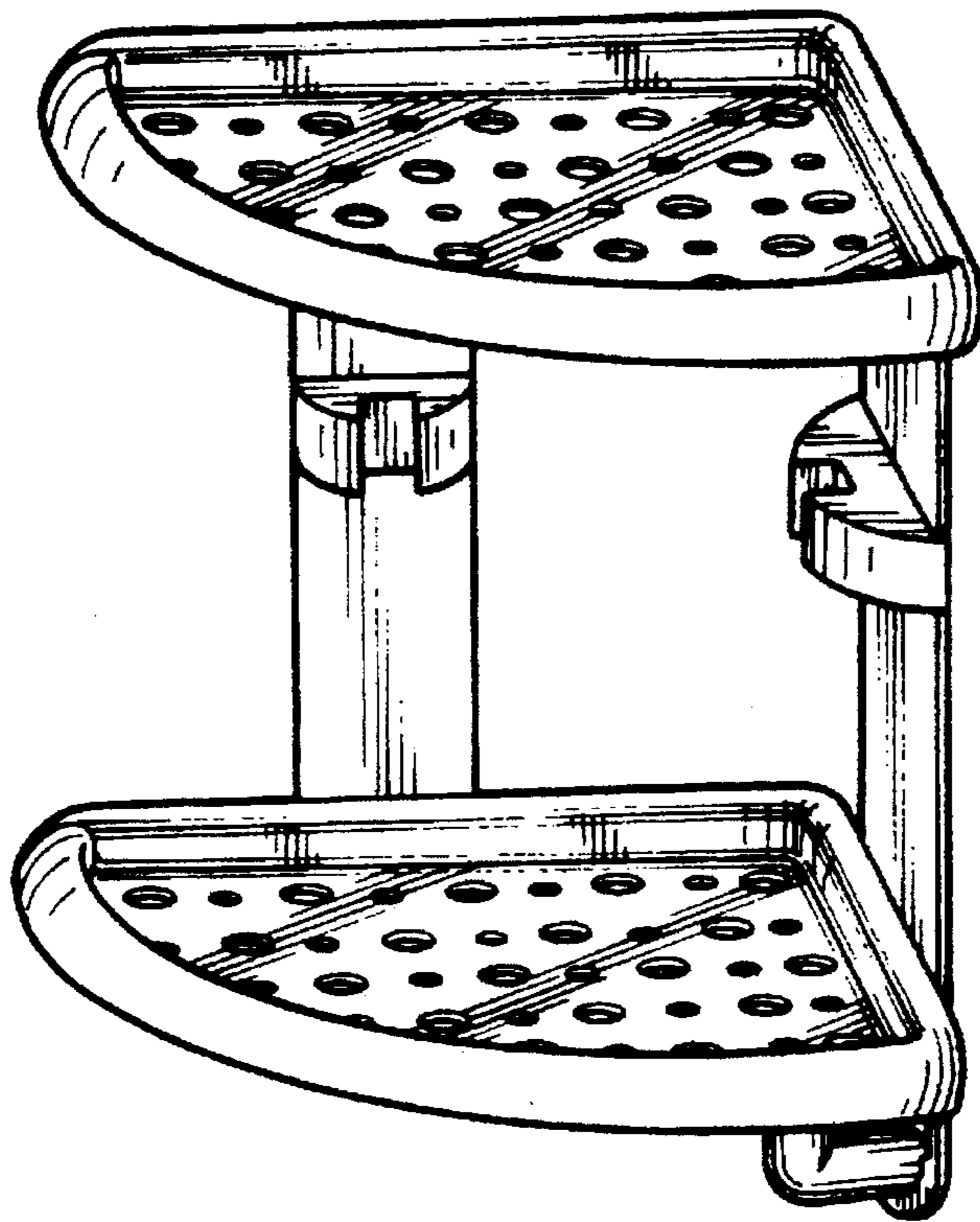


Fig - 1

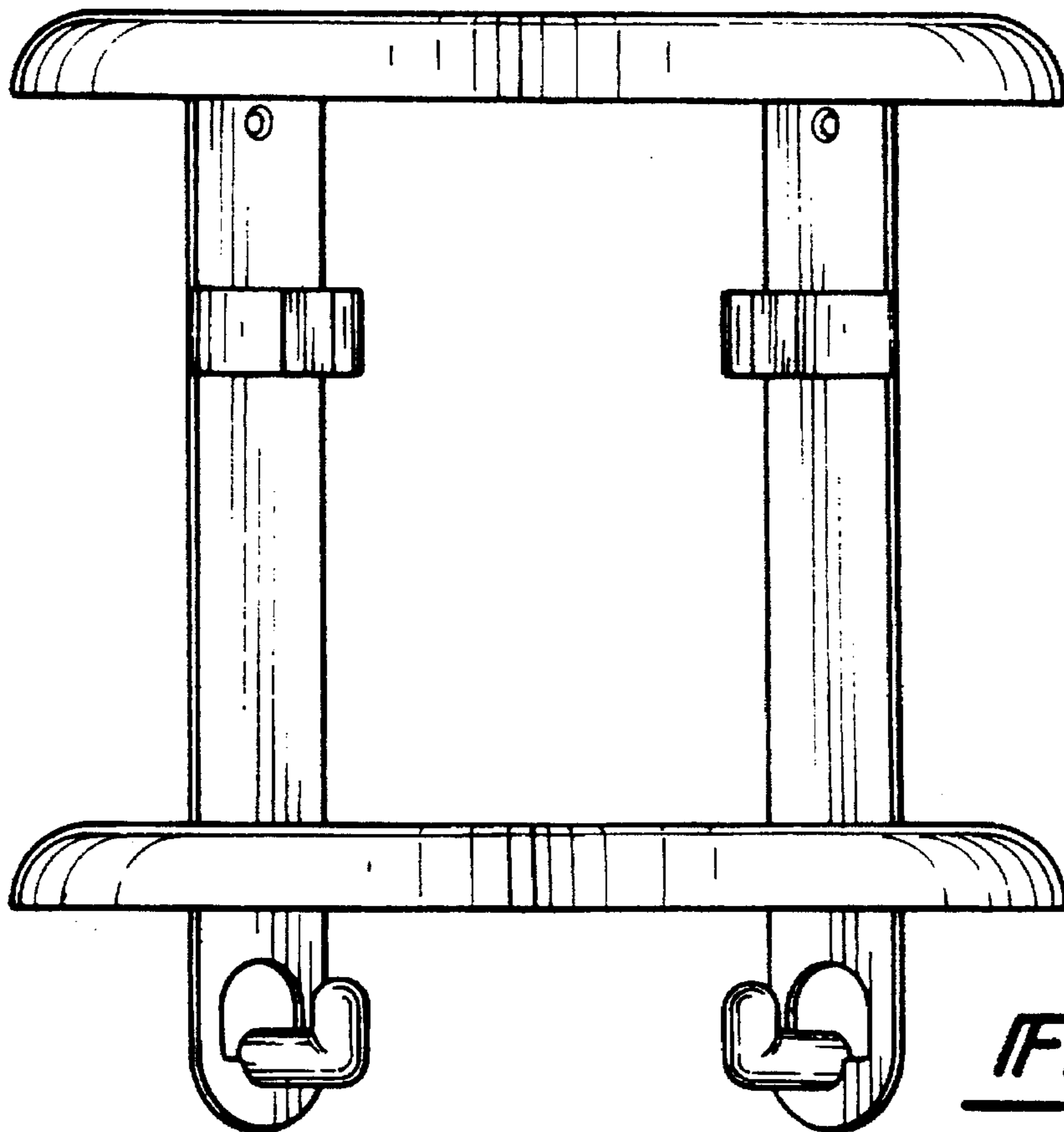


Fig - 2

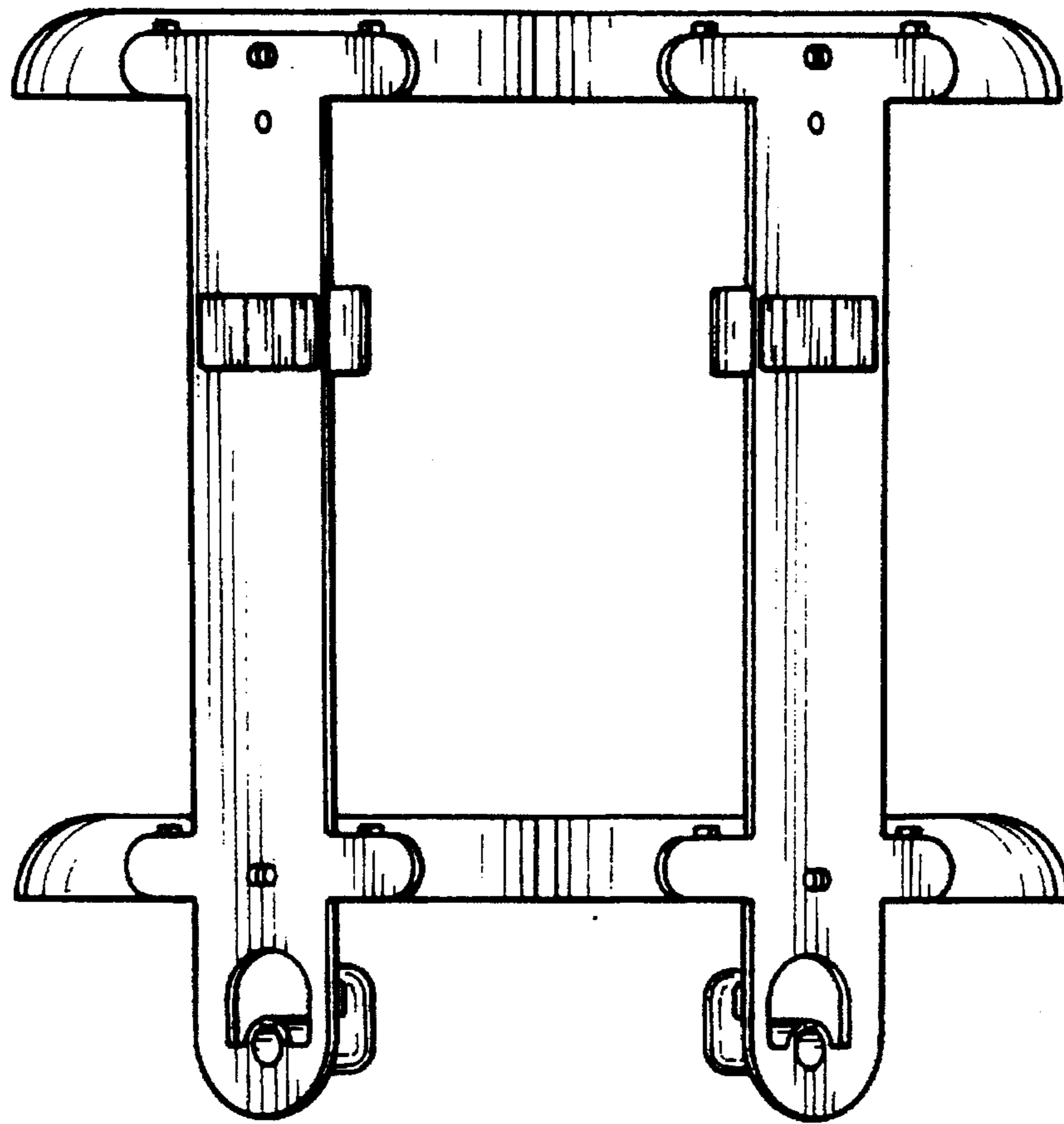


Fig - 3

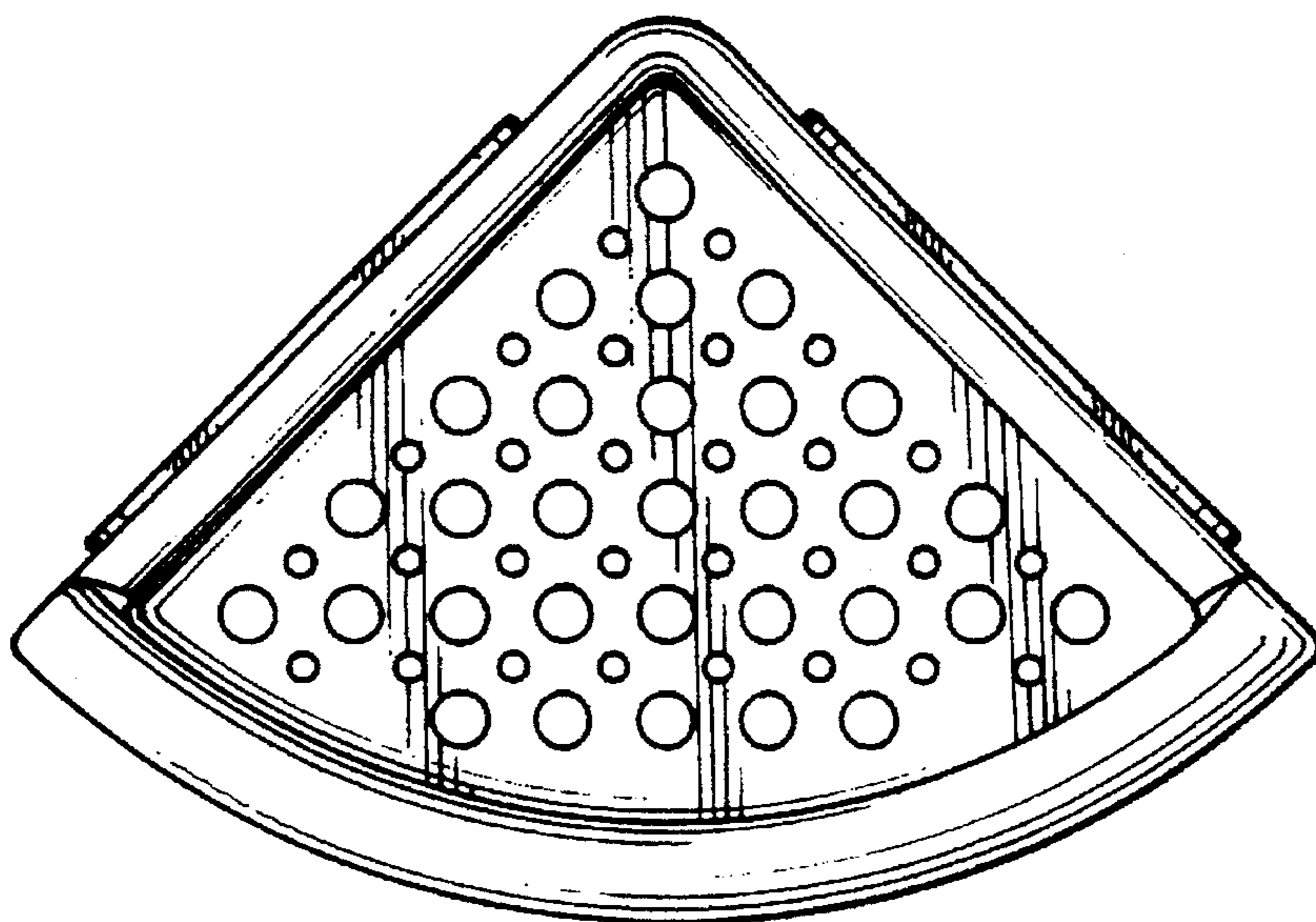


Fig - 4

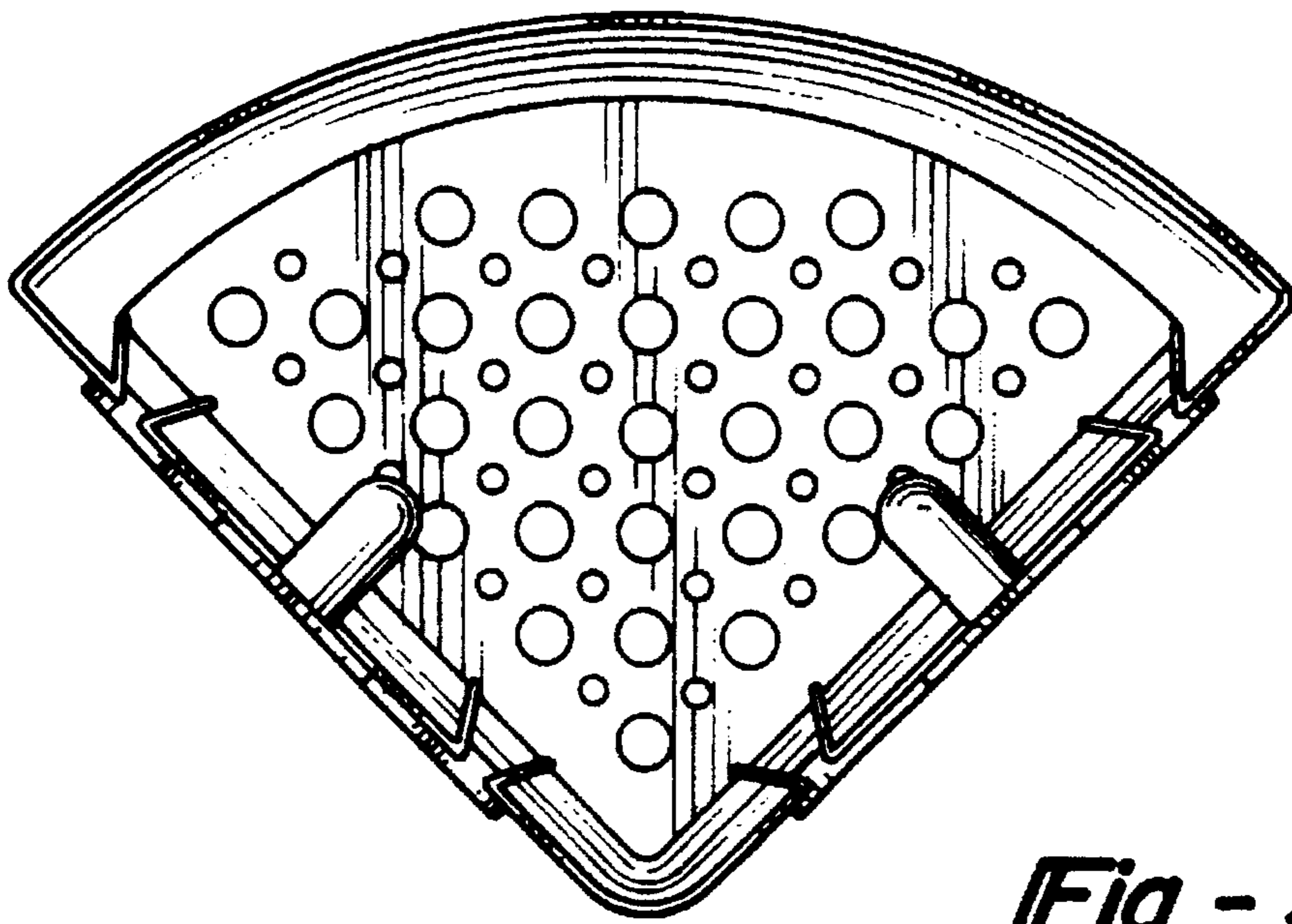


Fig - 5

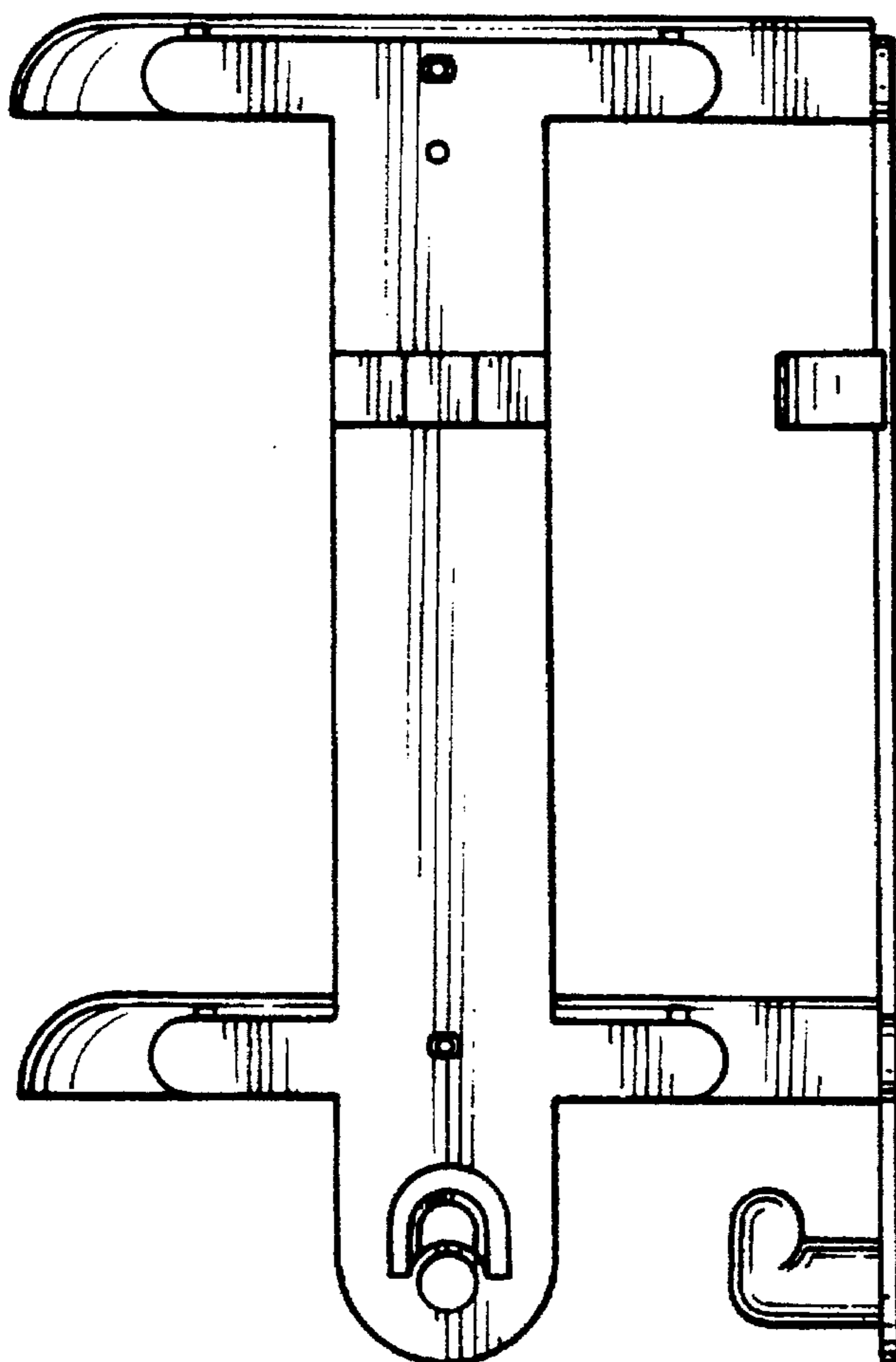


Fig - 6