



US00D382736S

# United States Patent [19]

## Kopish

[11] Patent Number: **Des. 382,736**

[45] Date of Patent: **\*\*Aug. 26, 1997**

[54] **FURNITURE POST**

[75] Inventor: **Andrew J. Kopish**, Green Bay, Wis.

[73] Assignee: **Krueger International, Inc.**, Green Bay, Wis.

[\*\*] Term: **14 Years**

[21] Appl. No.: **52,819**

[22] Filed: **Apr. 9, 1996**

D. 282,029	1/1986	Ells	.....	D6/383
3,420,032	1/1969	Felt	.....	52/732.2
3,733,755	5/1973	Butler	.....	211/191
4,007,919	2/1977	Totten	.....	D25/124
4,607,754	8/1986	Woll	.....	211/183
4,987,717	1/1991	Dameron, Jr.	.....	52/732.2

*Primary Examiner*—Doris Clark  
*Attorney, Agent, or Firm*—Andrus, Scales, Starke & Sawall

### Related U.S. Application Data

[62] Division of Ser. No. 40,071, Jun. 9, 1995.

[51] **LOC (6) Cl.** ..... **06-06**

[52] **U.S. Cl.** ..... **D6/495; D25/126**

[58] **Field of Search** ..... D6/491, 384, 383, D6/495; D25/119, 126, 128, 132; 5/2.18, 9.1, 186.1, 488, 465, 659, 660; 248/218.4, 219.3, 220.43, 243; 52/36.1, 36.2, 36.4, 36.5, 36.6, 239; 211/134, 186, 189, 187, 188, 190, 194; 312/408

### References Cited

#### U.S. PATENT DOCUMENTS

D. 281,474 11/1985 Moorkens ..... D6/384

### [57] CLAIM

The ornamental design of a furniture post, as shown and described.

### DESCRIPTION

FIG. 1 is a front elevational view of the furniture post showing my new design, the rear elevational view being identical thereto;

FIG. 2 is a fragmentary perspective view thereof;

FIG. 3 is an end elevational view thereof; and,

FIG. 4 is a right side elevational view thereof, the left side elevational view being identical thereto.

The furniture post is broken away to indicate indeterminate length.

**1 Claim, 2 Drawing Sheets**

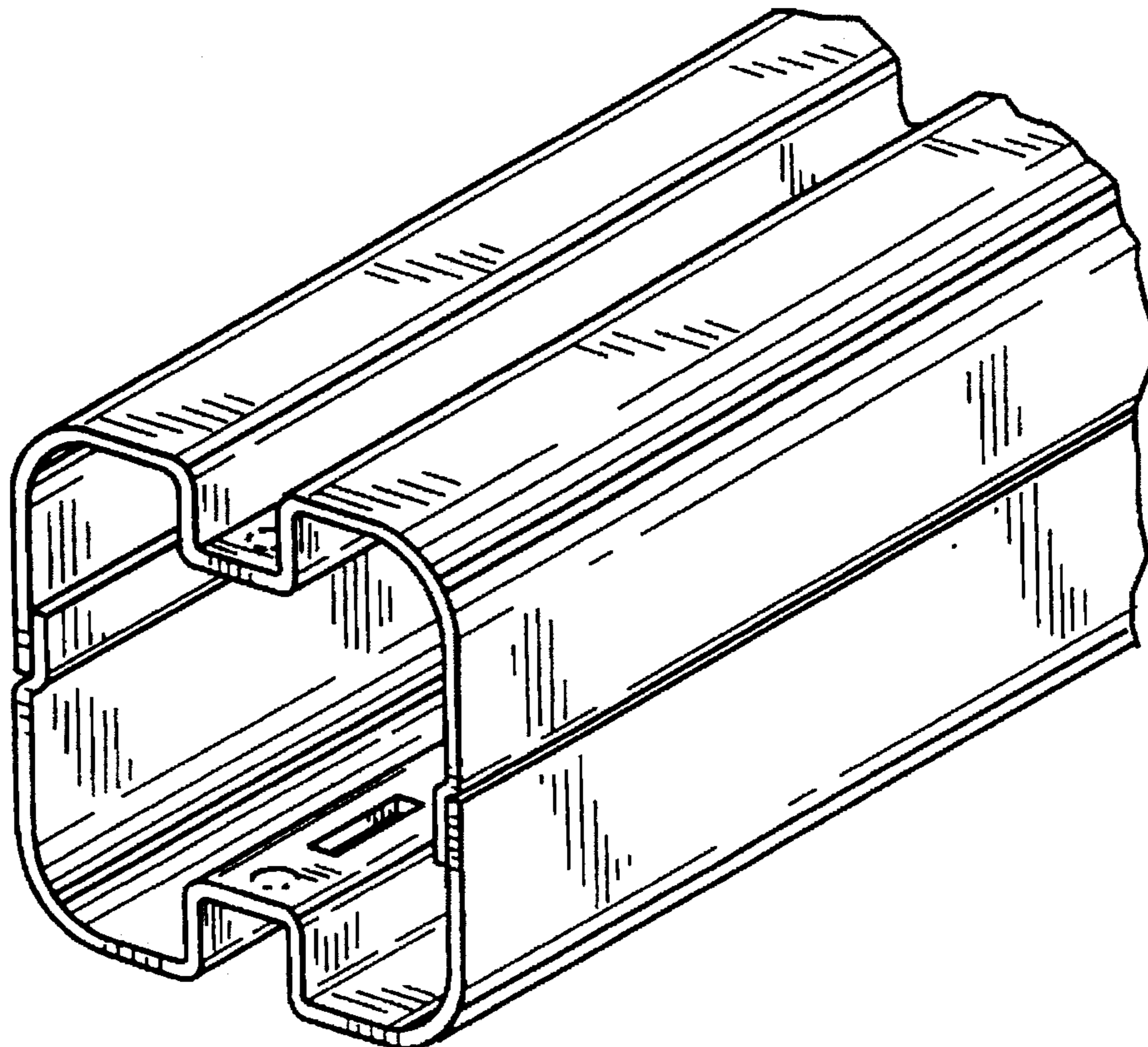


FIG. 1

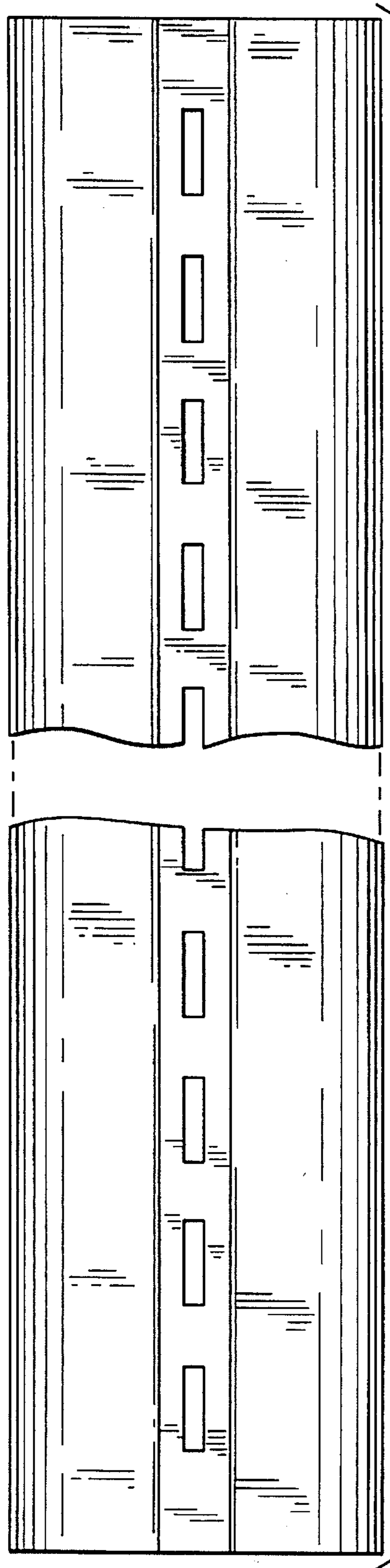


FIG. 3

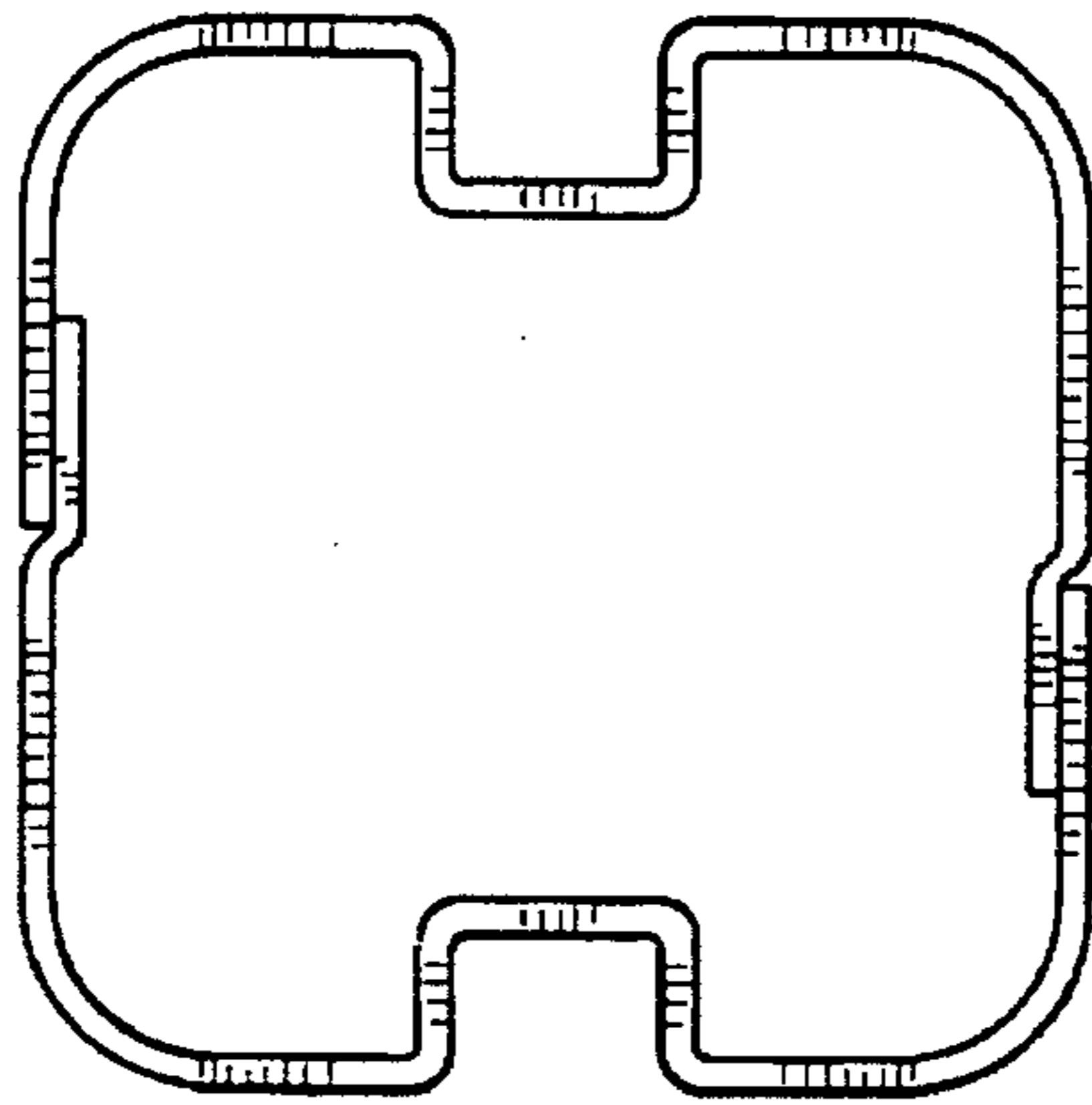


FIG. 4

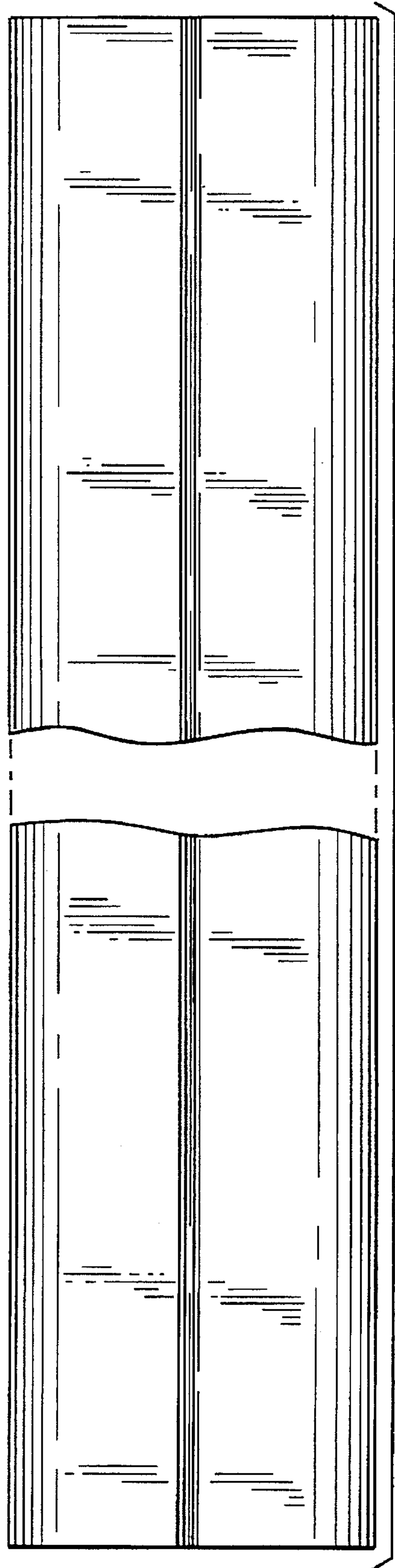


FIG. 2

