



US00D382732S

# United States Patent [19] Kearney

[11] Patent Number: Des. 382,732

[45] Date of Patent: \*\*Aug. 26, 1997

[54] CORNER CONSOLE UNIT

3,028,016 4/1962 Heftel ..... D6/474 X  
4,976,360 12/1990 Zucker et al. .... 211/186

[76] Inventor: Ellis Kearney, 1411 Willow Dr.,  
Riverdale, Ga. 30296

Primary Examiner—B. J. Bullock  
Assistant Examiner—Linda Brooks  
Attorney, Agent, or Firm—The Law Office of Jon M.  
Jurgovan

[\*\*] Term: 14 Years

[21] Appl. No.: 56,306

### [57] CLAIM

[22] Filed: Jun. 26, 1996

The ornamental design for the corner console unit, as shown  
and described.

[51] LOC (6) Cl. .... 06-04

[52] U.S. Cl. .... D6/478; D6/477; D6/479

[58] Field of Search ..... D6/479, 474, 449,  
D6/475-478, 480, 482-485, 490; 108/16,  
31, 33, 59, 91-93, 60, 149, 152; 211/13,  
49.1, 71, 72, 42, 134, 135, 153; 312/107,  
114, 128, 278, 286, 283

### DESCRIPTION

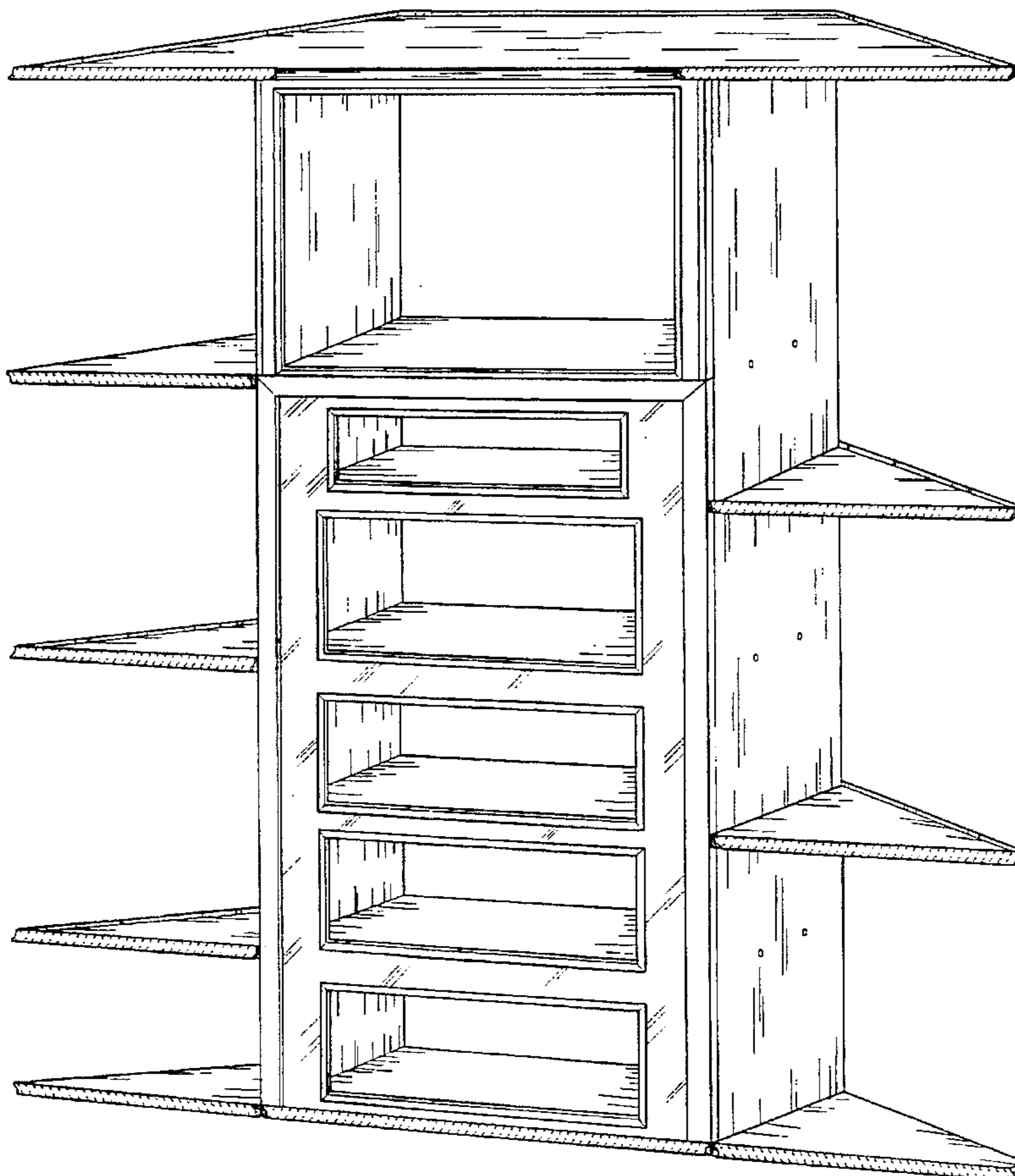
FIG. 1 is a front, top, and right side perspective view of a  
corner console unit showing my design;  
FIG. 2 is a right side elevational view thereof shown on a  
reduced scale;  
FIG. 3 is a left side elevational view of FIG. 2;  
FIG. 4 is a top plan view of FIG. 2;  
FIG. 5 is rear elevational view of FIG. 2;  
FIG. 6 is an enlarged fragmentary view of the first shelf  
below the top on the left side; and,  
FIG. 7 is an enlarged fragmentary view of the top of the shelf  
on the left side.

### [56] References Cited

#### U.S. PATENT DOCUMENTS

D. 81,327	6/1930	Felshin	.....	D6/474
D. 161,538	1/1951	Ross	.....	D6/474
D. 294,787	3/1988	Berry, Jr.	.....	D6/479
D. 299,392	1/1989	Hunt	.....	D6/479
D. 363,623	10/1995	Rushing	.....	D6/479
2,522,748	9/1950	Claude	.....	211/134 X

1 Claim, 3 Drawing Sheets



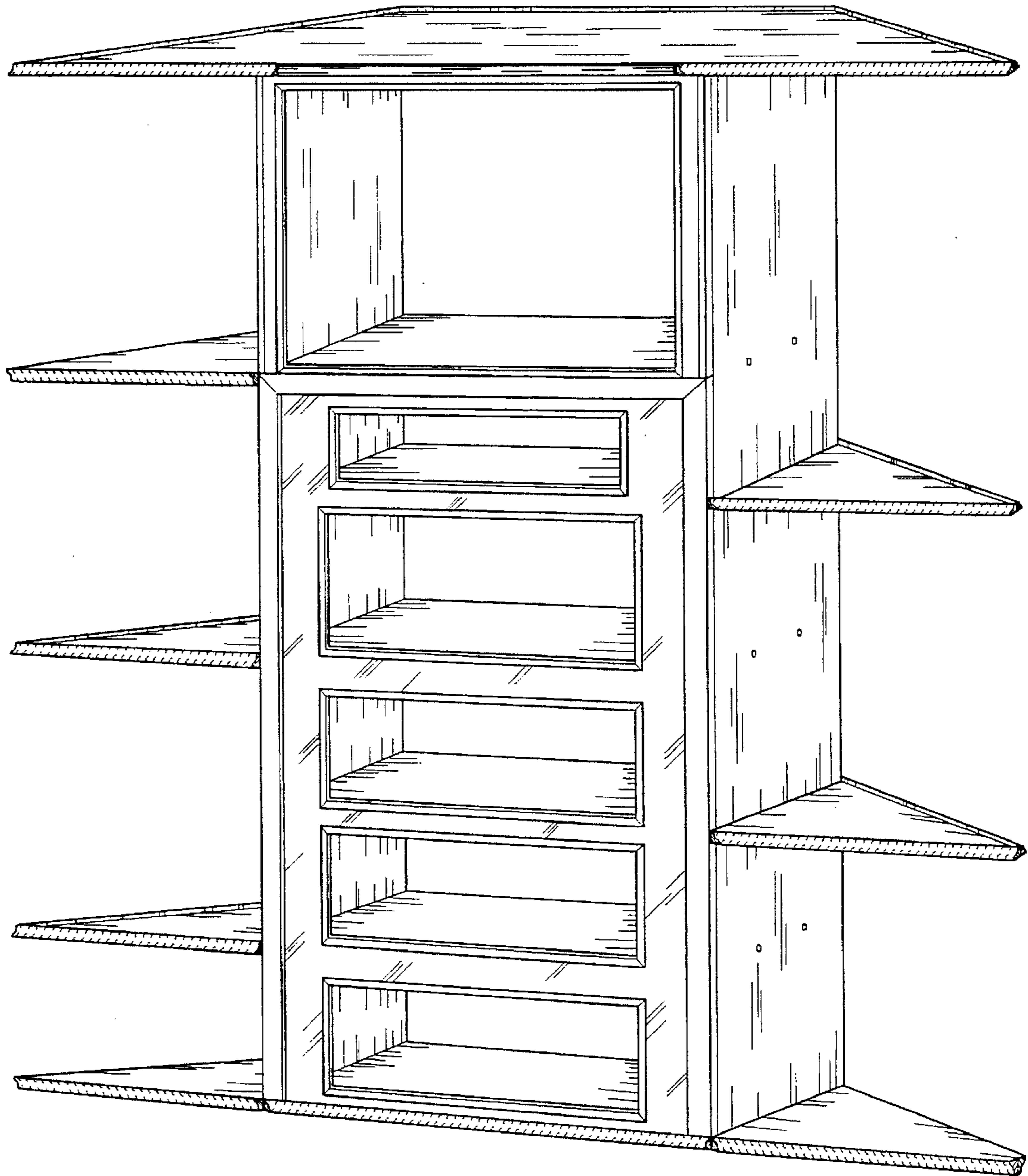


Figure 1

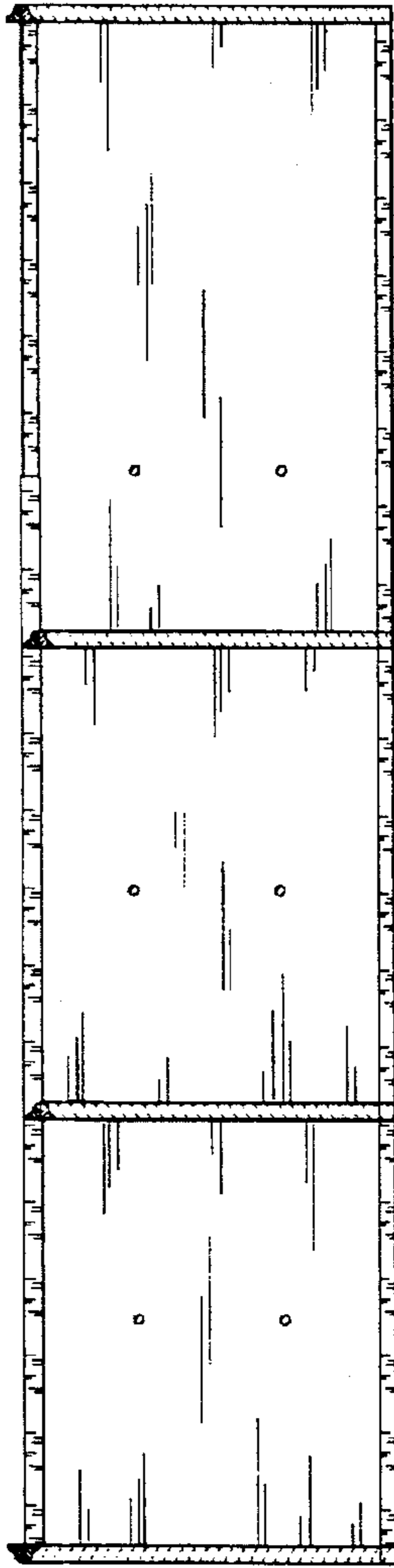


Figure 2

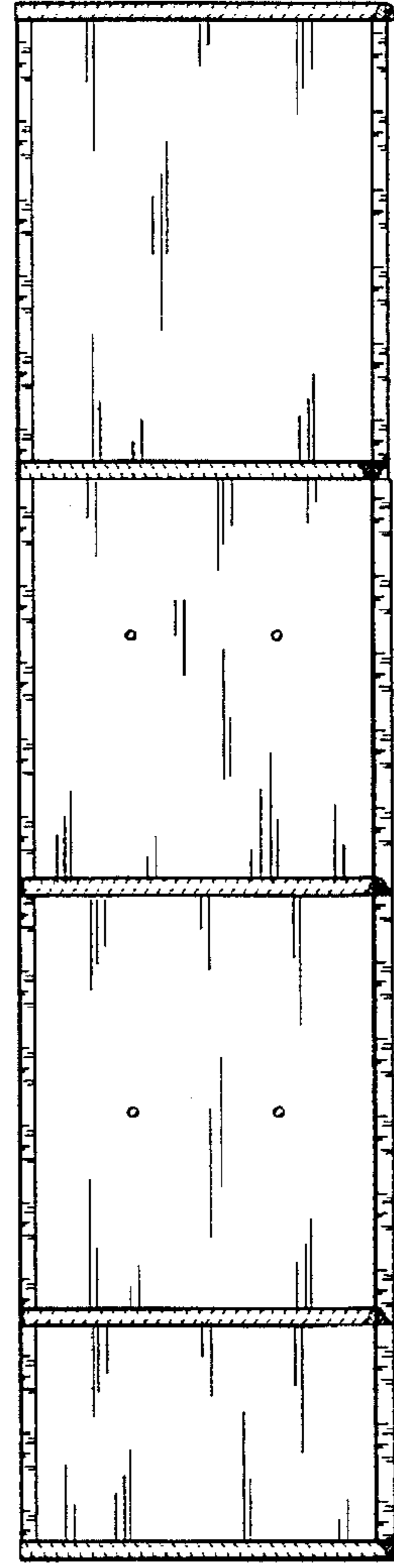


Figure 3

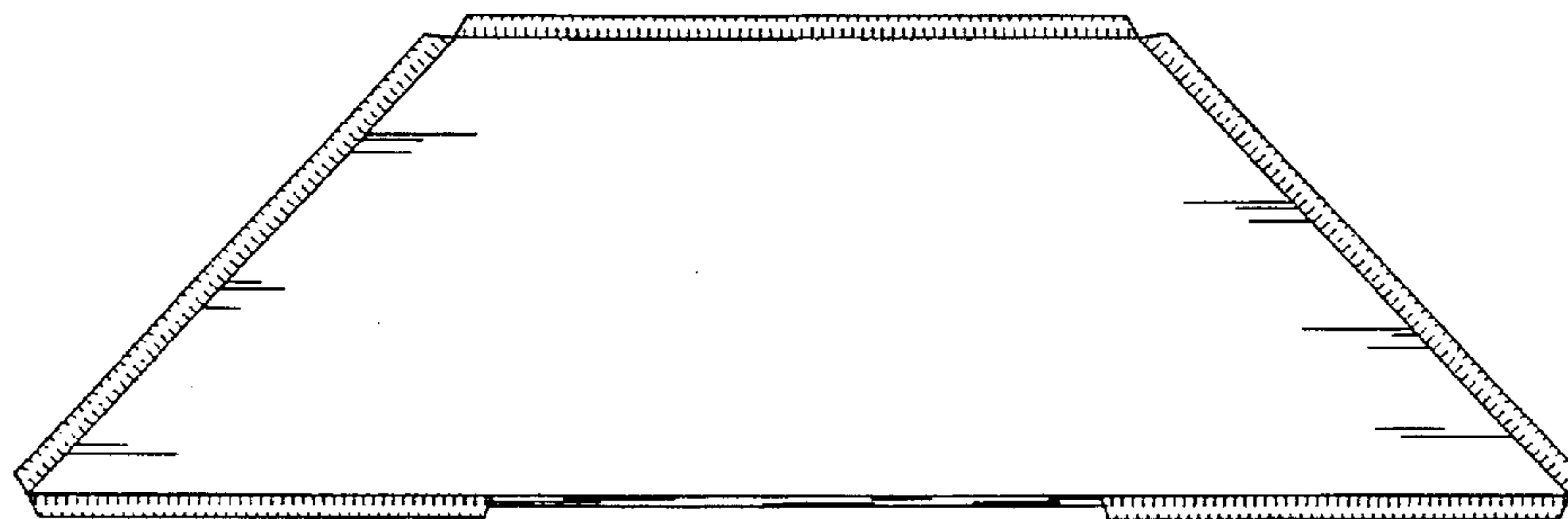


Figure 4

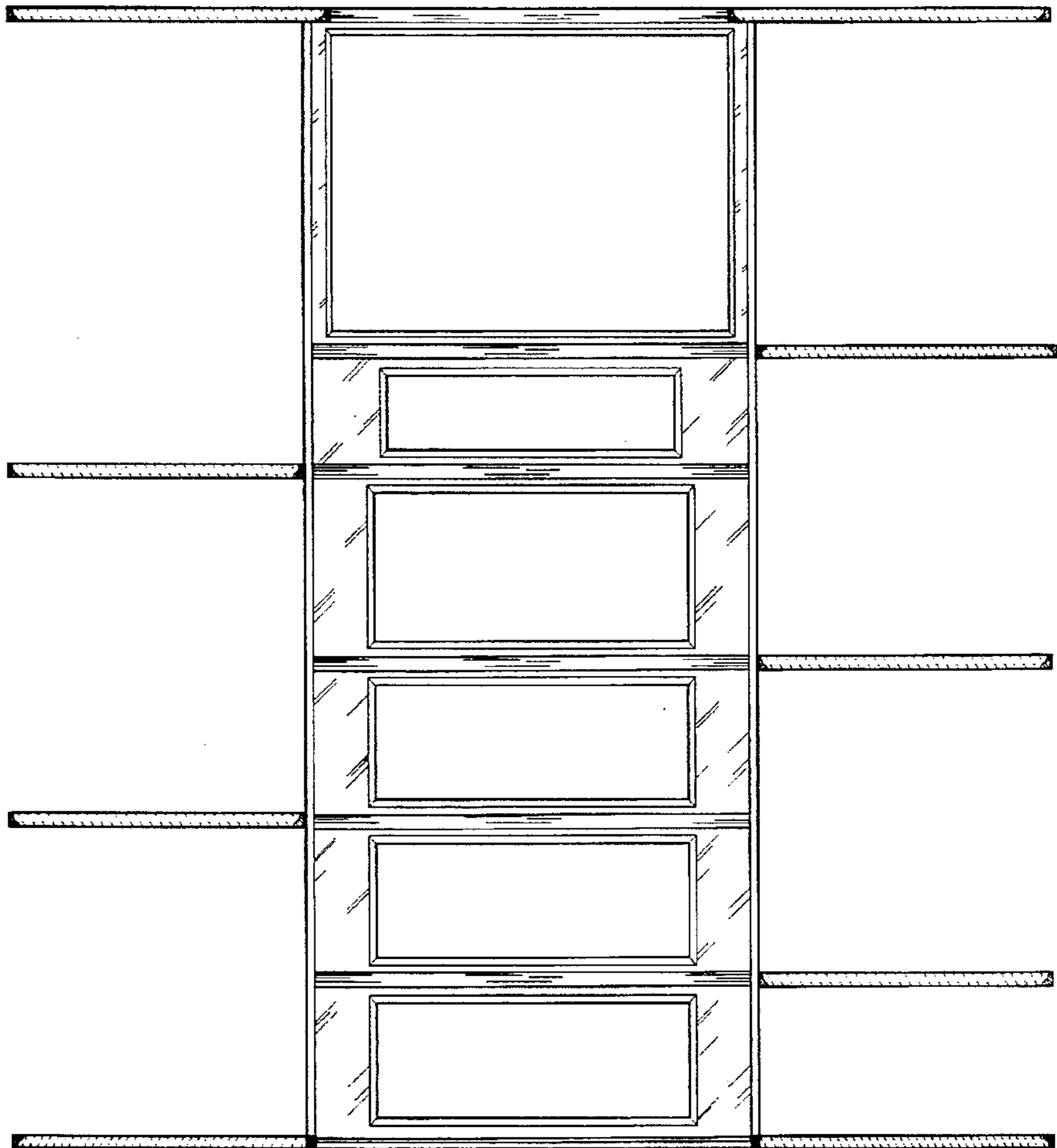


Figure 5

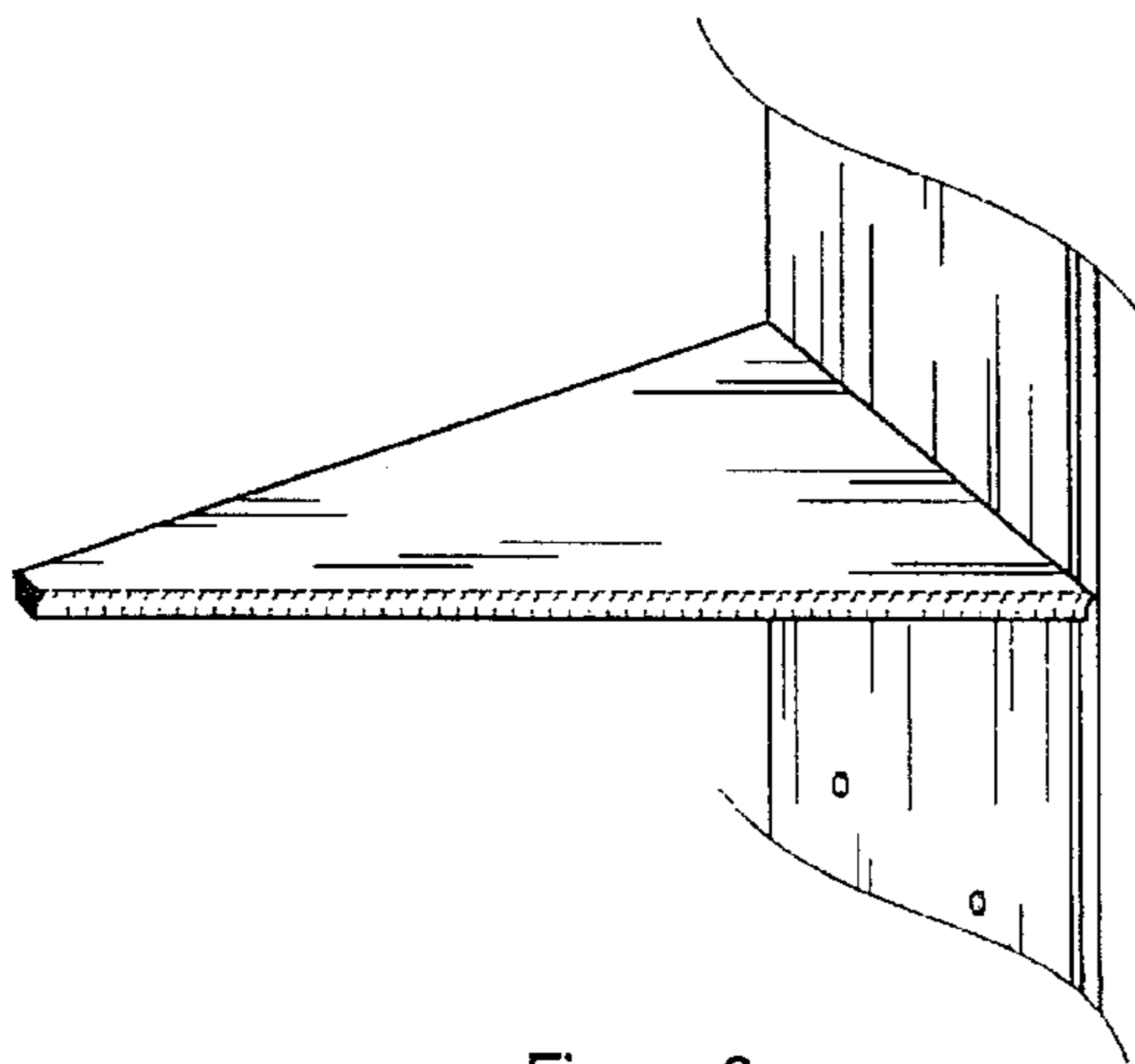


Figure 6

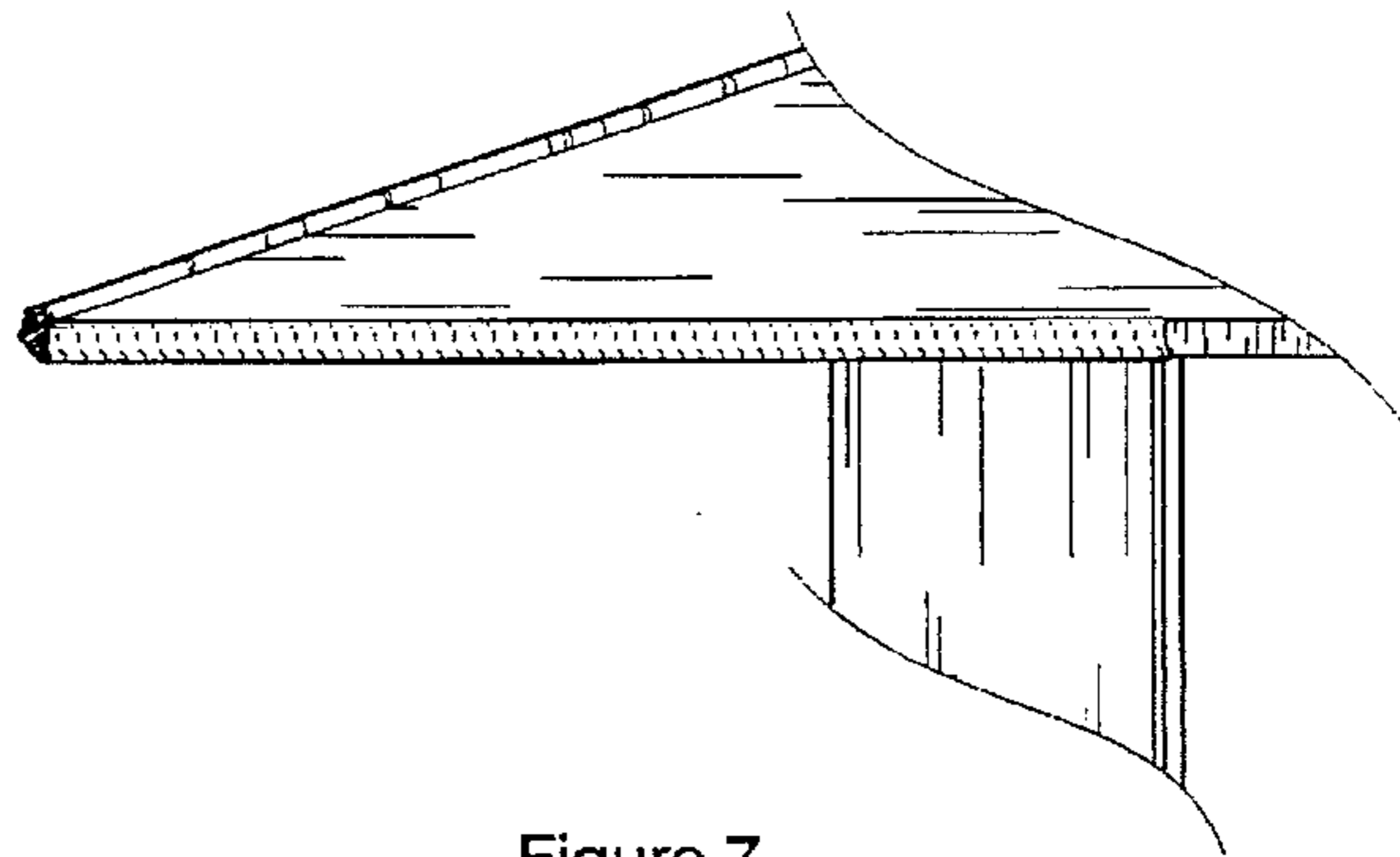


Figure 7