



US00D382729S

**United States Patent** [19]  
**Piker**

[11] **Patent Number: Des. 382,729**  
[45] **Date of Patent: \*\*Aug. 26, 1997**

[54] **LIDDED BEACH TABLE WITH INTERIOR RECESSED CUP HOLDERS**

[76] **Inventor: David J. Piker, 3114 Providence Rd., Eagleville, Pa. 19403**

[\*\*] **Term: 14 Years**

[21] **Appl. No.: 53,131**

[22] **Filed: Apr. 15, 1996**

[51] **LOC (6) Cl. .... 06-03**

[52] **U.S. Cl. .... D6/417**

[58] **Field of Search** ..... D6/396, 397, 406, D6/417; 211/62; 248/156, 530, 533, 545; 135/16, 118; D7/553

[56] **References Cited**

**U.S. PATENT DOCUMENTS**

D. 322,181	12/1991	Georgopoulos et al. ....	D6/417
D. 326,962	6/1992	Mowry et al. ....	D6/406
D. 364,048	11/1995	Winslow, Sr. ....	D6/417
D. 366,372	1/1996	Skarda, Jr. ....	D6/417
2,603,440	7/1952	Le Vesconte et al. ....	248/156
2,877,828	3/1959	Barnette, Jr. ....	248/533
4,407,475	10/1983	Gossage ....	248/156

4,852,835	8/1989	Ciulli .....	248/156
5,086,712	2/1992	Clark .....	135/16 X
5,143,108	9/1992	Kenney .....	135/16
5,161,561	11/1992	Jamieson .....	135/16

**FOREIGN PATENT DOCUMENTS**

465880	6/1950	Canada .....	248/156
--------	--------	--------------	---------

*Primary Examiner*—Carmen H. Vales-Lado

[57] **CLAIM**

The ornamental design for a lidded beach table with interior recessed cup holders, as shown and described.

**DESCRIPTION**

FIG. 1 is a front elevational view of the lidded beach table with interior recessed cup holders showing my new design; FIG. 2 is a rear elevational view thereof; FIG. 3 is a left side elevational view thereof; FIG. 4 is a right side elevational view thereof; FIG. 5 is a top plan view thereof; FIG. 6 is a bottom plan view thereof; and, FIG. 7 is a top perspective view with the lid open. The showing of the ground support broken away throughout the views indicates indeterminate length.

**1 Claim, 3 Drawing Sheets**

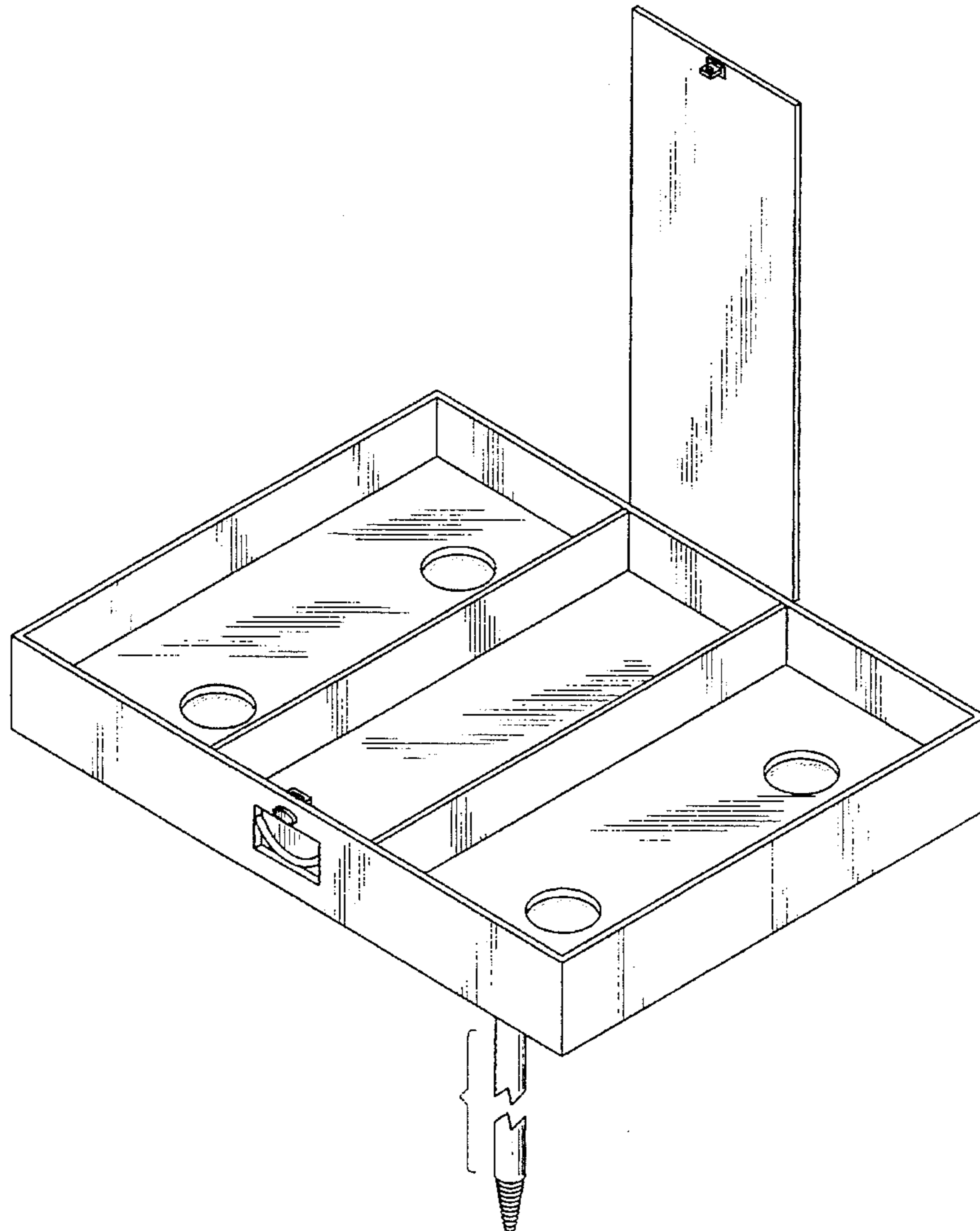


FIG. 1

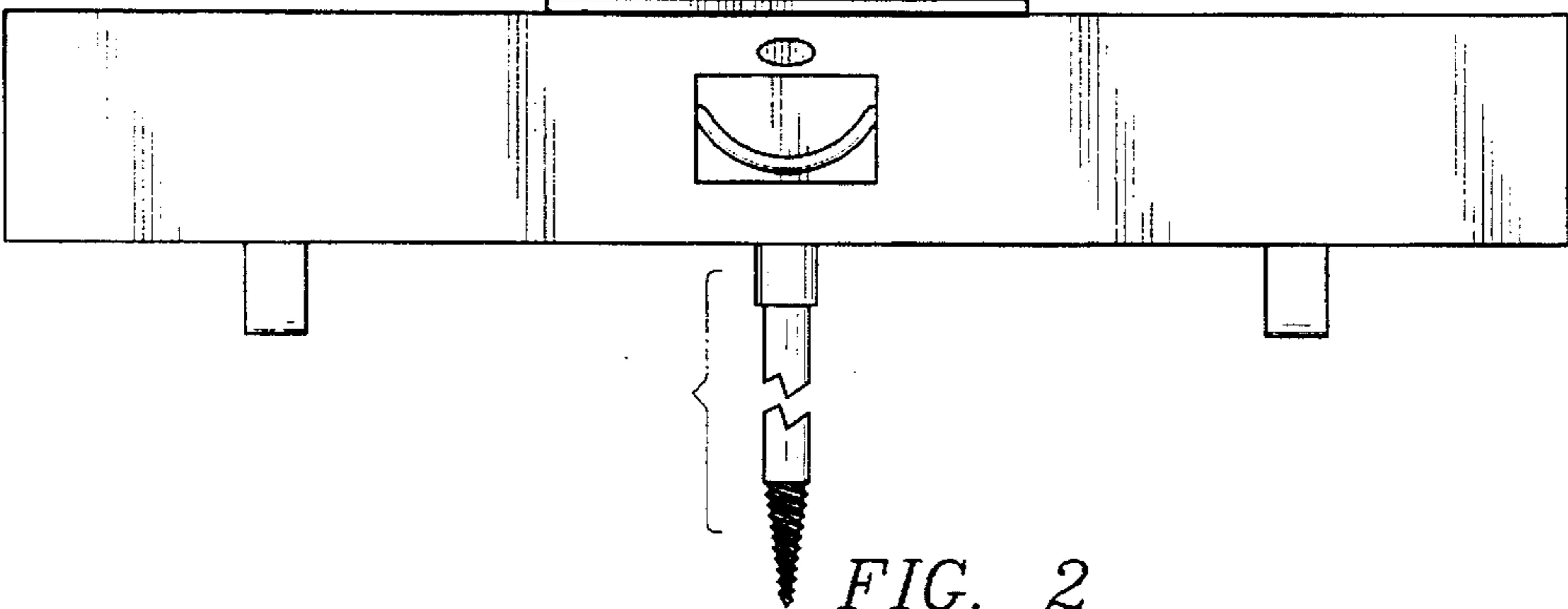


FIG. 2

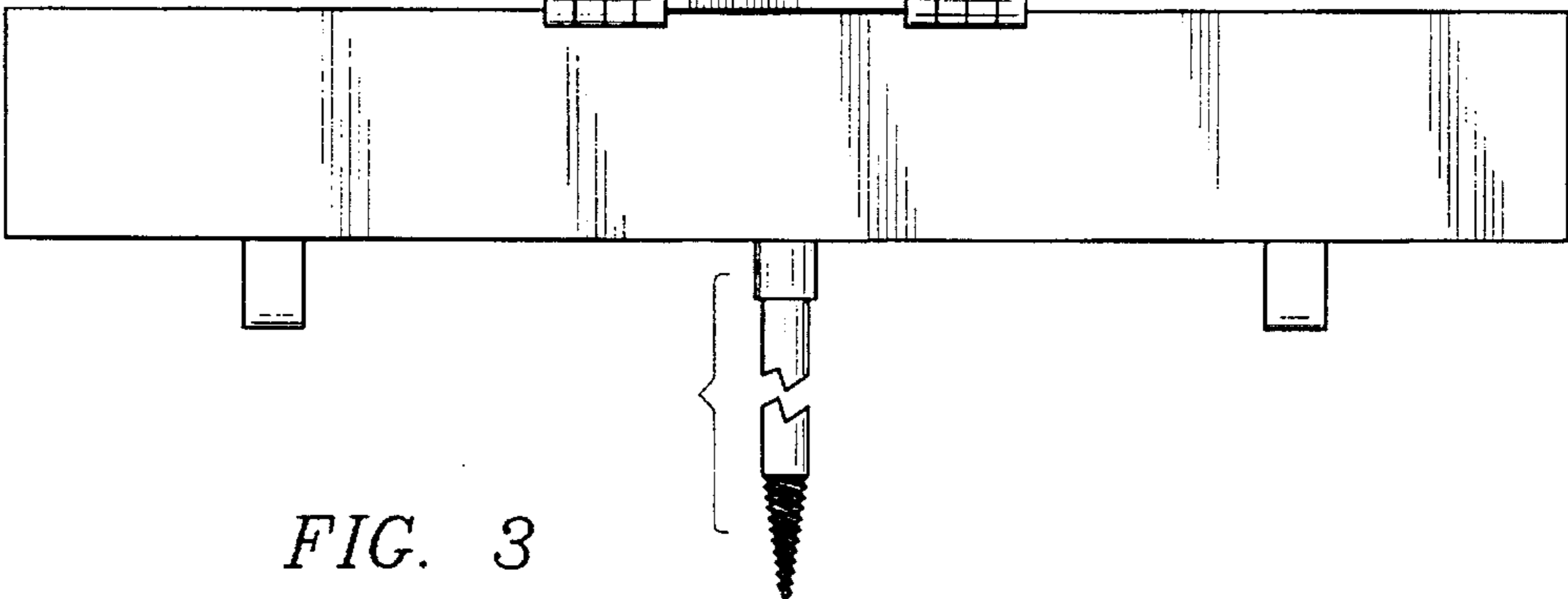


FIG. 3

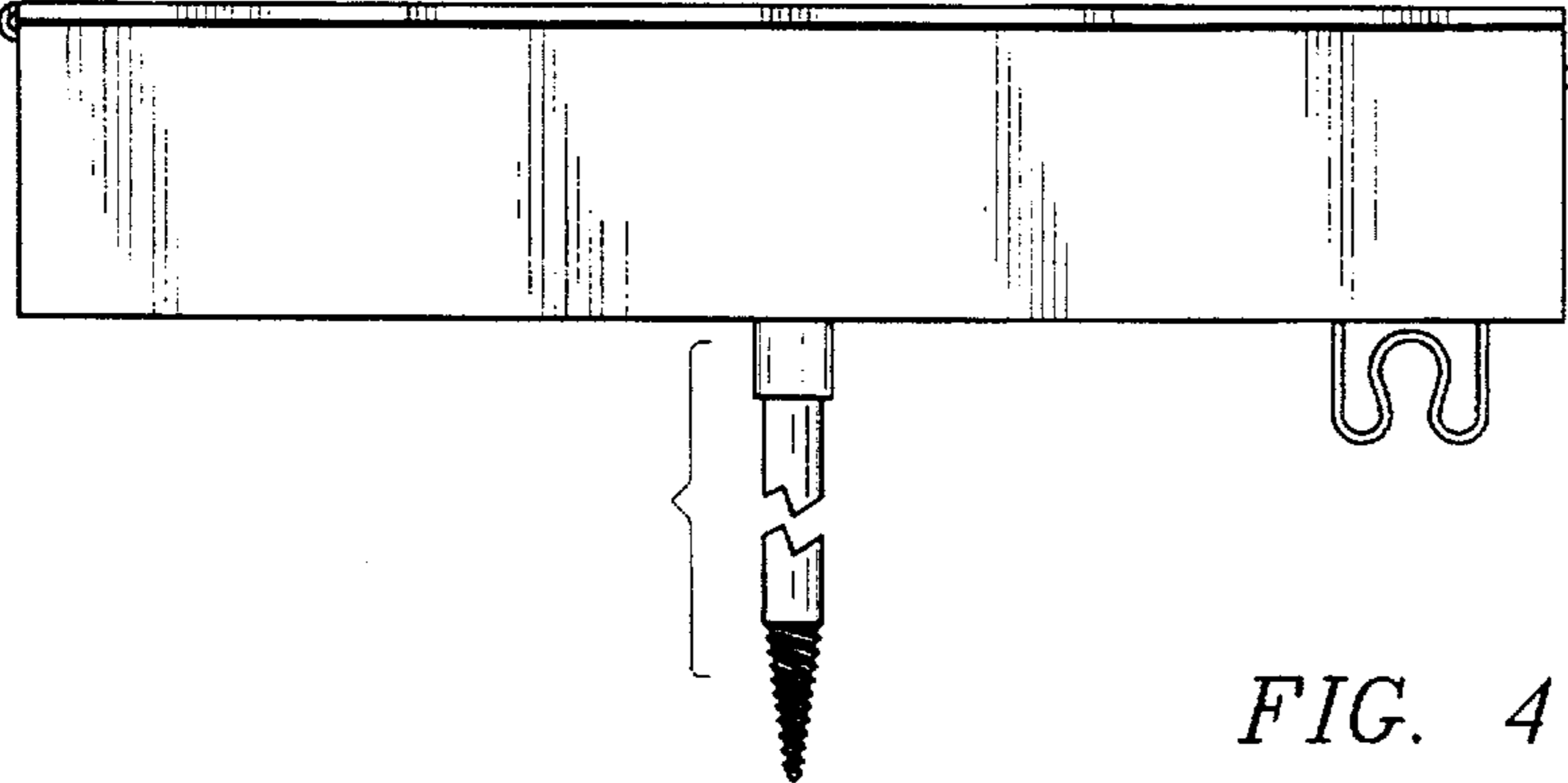


FIG. 4

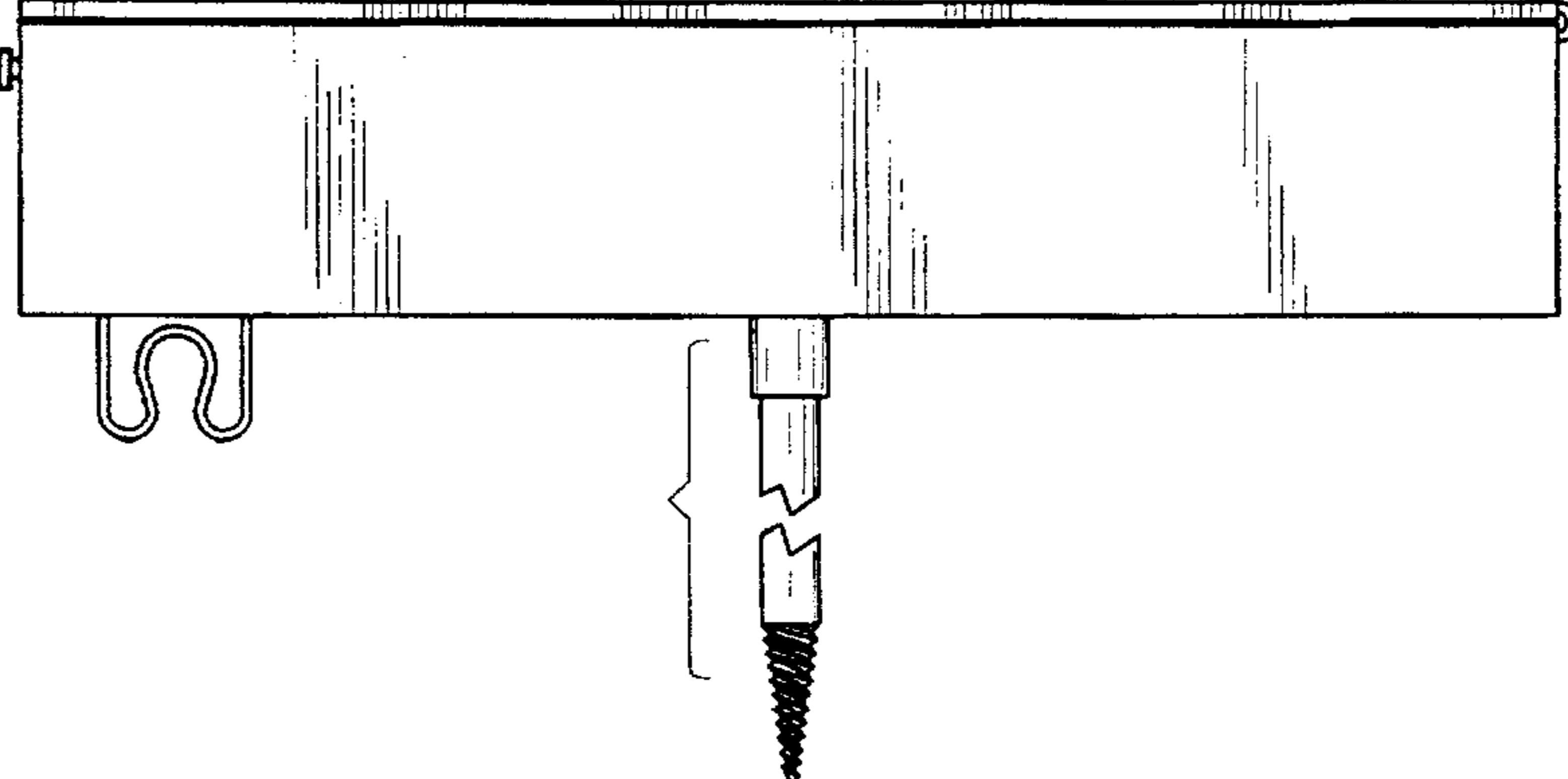


FIG. 5

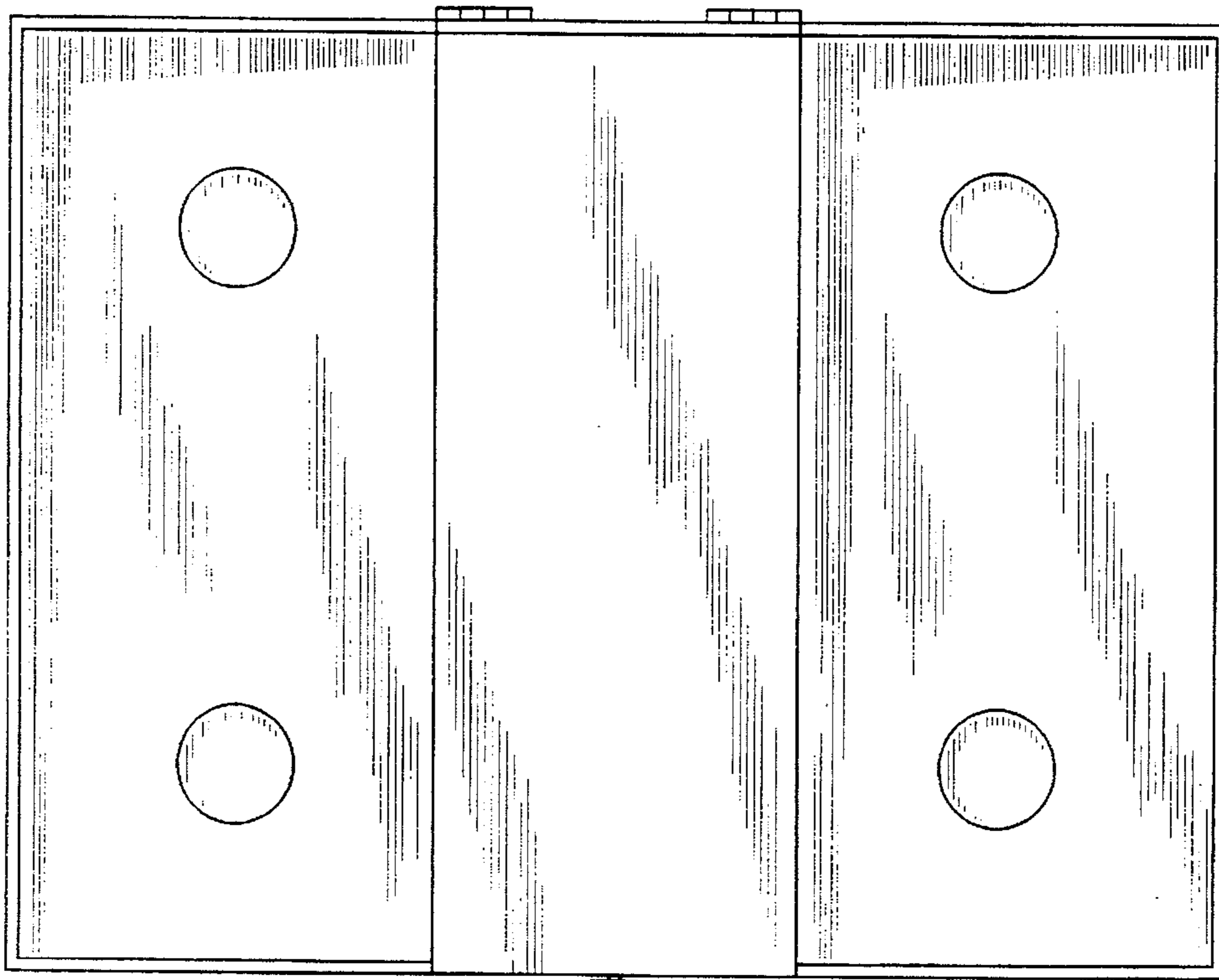


FIG. 6

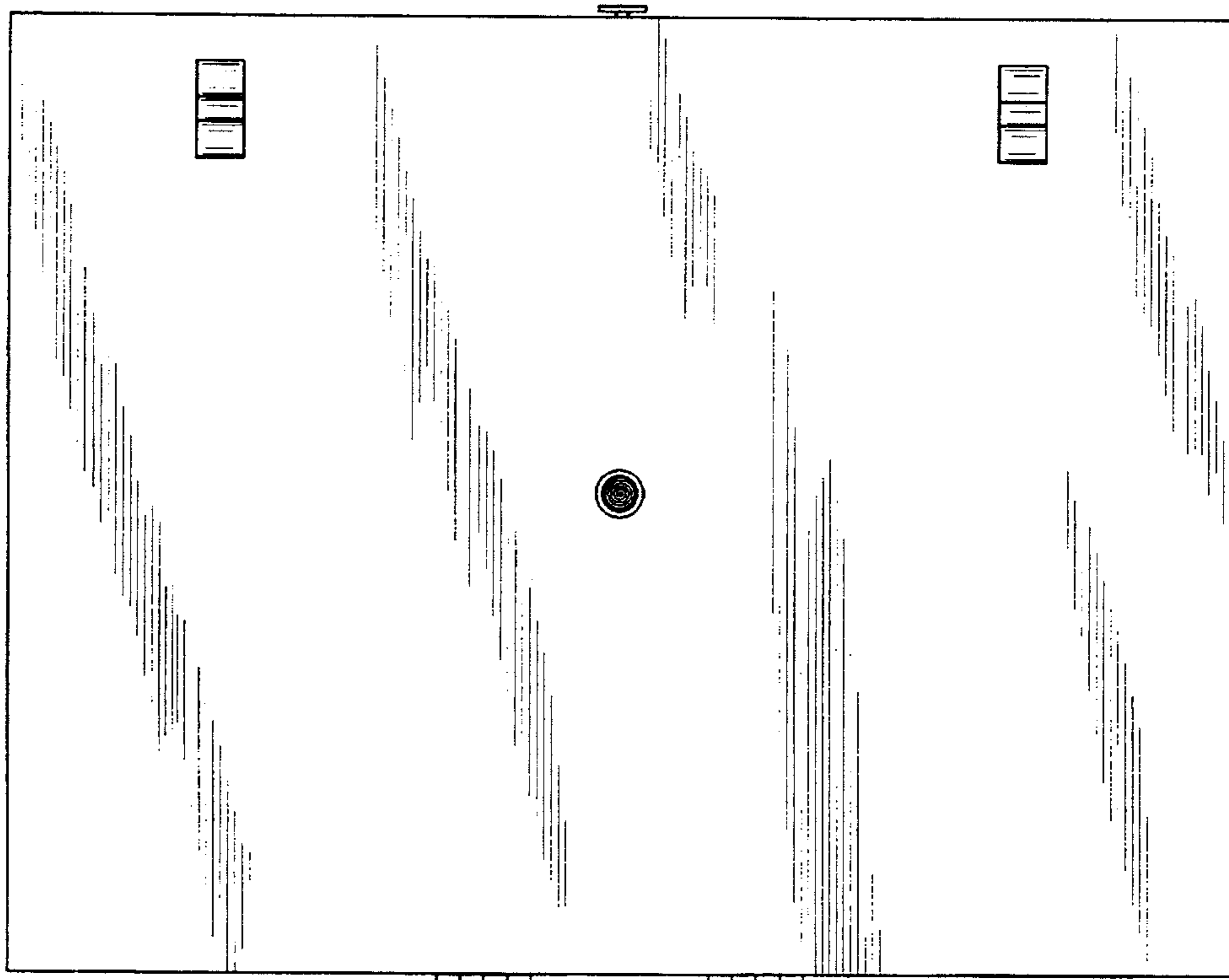


FIG. 7

