



US00D382727S

United States Patent [19]

[11] Patent Number: **Des. 382,727**

Kresge et al.

[45] Date of Patent: ****Aug. 26, 1997**

[54] CHILD'S DESK

[75] Inventors: **Keith Kresge**, Worthington; **Pete McEachen**, Cleveland, both of Ohio

[73] Assignee: **The Little Tikes Company**, Hudson, Ohio

[**] Term: **14 Years**

[21] Appl. No.: **41,215**

[22] Filed: **Jul. 10, 1995**

[51] LOC (6) Cl. **07-99**

[52] U.S. Cl. **D6/406; D6/511; D7/553; D7/555**

[58] Field of Search D6/406, 419, 511, D6/339, 420; D7/603, 610, 619, 620, 505, 507, 701, 545, 546, 550, 552, 553, 554, 555, 557, 566, 601, 602, 547, 549; D12/415, 416; D19/35, 52, 88, 92; 220/17.1, 671, 675, 630

[56] References Cited

U.S. PATENT DOCUMENTS

D. 201,760	7/1965	Arnold	D7/554
D. 212,963	12/1968	Payn	D7/701 X
D. 273,928	5/1984	Tarozzi	D7/554
D. 289,247	4/1987	Wang	D6/406 X
D. 311,753	10/1990	Westland et al.	D18/23
D. 314,678	2/1991	Ali	D7/554 X
D. 315,974	4/1991	Steiner	D7/554 X
D. 318,768	8/1991	Westland et al.	D6/422
D. 326,972	6/1992	Kreps	D6/511
D. 331,330	12/1992	Bennett et al.	D6/406
D. 355,312	2/1995	Wolf	D6/422
D. 355,786	2/1995	Wolf	D6/406
D. 356,009	3/1995	Branch et al.	D7/553
D. 358,434	5/1995	Brown et al.	D21/121
D. 363,643	10/1995	Eisenberg	D6/406
2,375,643	5/1945	Germanotta	D7/507
4,345,803	8/1982	Heck	312/194

OTHER PUBLICATIONS

P. 142, Workstation; Global Computer Supplies, 2318 East Del Amo Blvd., Dept. 31, Compton, California 90220. Publication date Jan., 1992.

P. 113, Workstation; Visible, A Subsidiary of Wallace Computer Services, Inc., 1750 Wallace Avenue, St. Charles, Illinois 60174. Publication date Fall/Winter, 1992.

P. 211, Workstation; Inmac, 2465 Augustine Drive, P. O. Box 58031, Santa Clara, California 95052-8031.

P. 85, Workstation; Misco, One Misco Plaza, Holmel, New Jersey 07733. Publication date Apr., 1992.

Pp. 60, 61, and 78, Workstations; United Stationers Supply Company, 2200 East Golf Road, Des Plaines, Illinois 60016. Publication date 1988.

P. 81, Workstation; United Stationers Supply Company, 2200 East Golf Road, Des Plaines, Illinois 60016. Published at least as early as Feb. 1994.

Pp. 75 and 81, Workstations; Uarco Business Products, UARCO Incorporated, 121 North 9th Street, DeKalb, Illinois 60115. Publication date Spring, 1992.

Primary Examiner—M. N. Pandozzi

Attorney, Agent, or Firm—Richard B. O'Planick; Lisa B. Riedesel

[57] CLAIM

The ornamental design for a child's desk, as shown and described.

DESCRIPTION

FIG. 1 is a top left front perspective view of a child's desk showing our new design;

FIG. 2 is a front elevational view thereof;

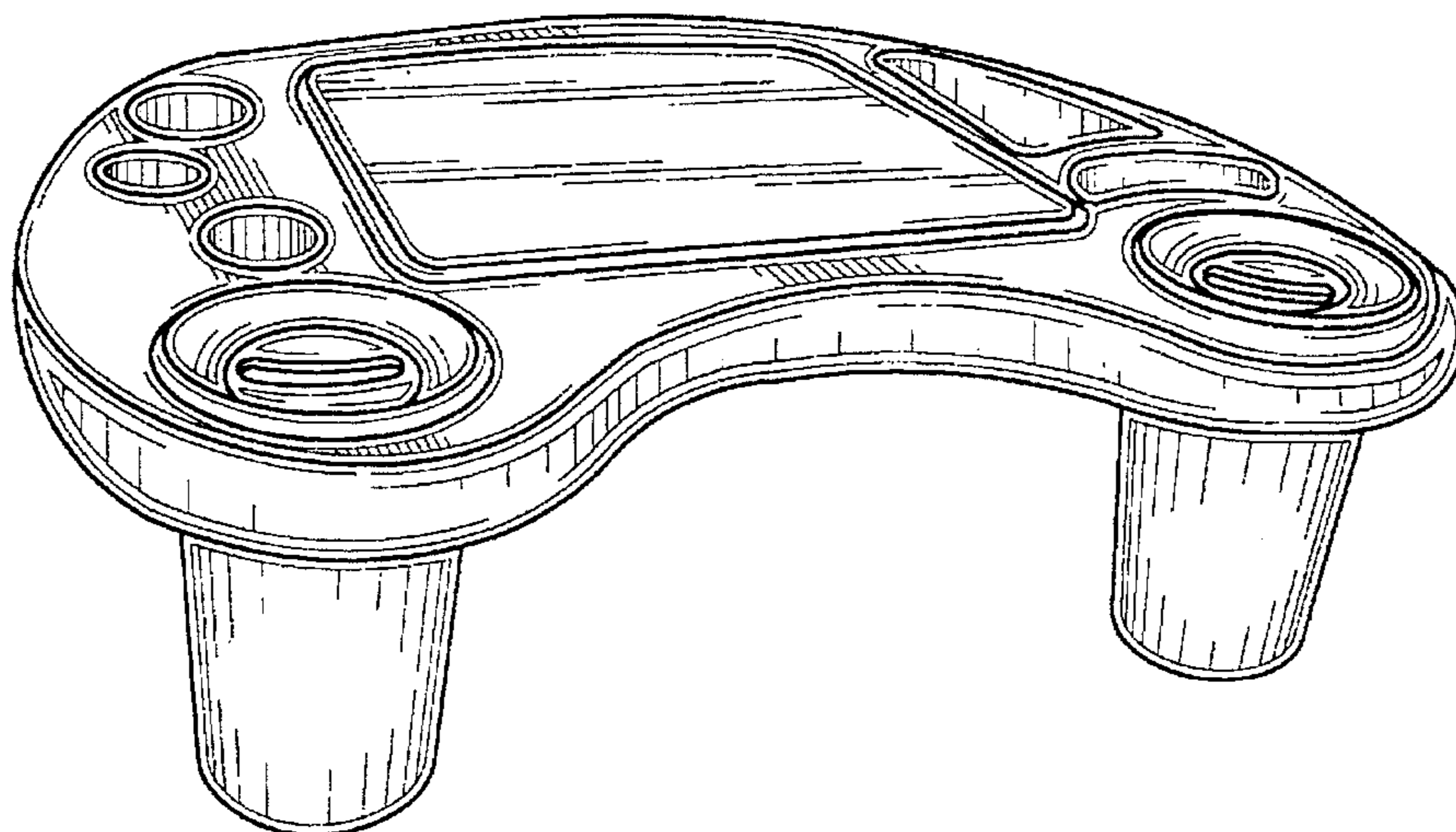
FIG. 3 is a rear elevational view thereof;

FIG. 4 is a bottom plan view thereof;

FIG. 5 is a right side elevational view thereof; the left side elevational view being a mirror image; and,

FIG. 6 is a top plan view thereof.

1 Claim, 3 Drawing Sheets



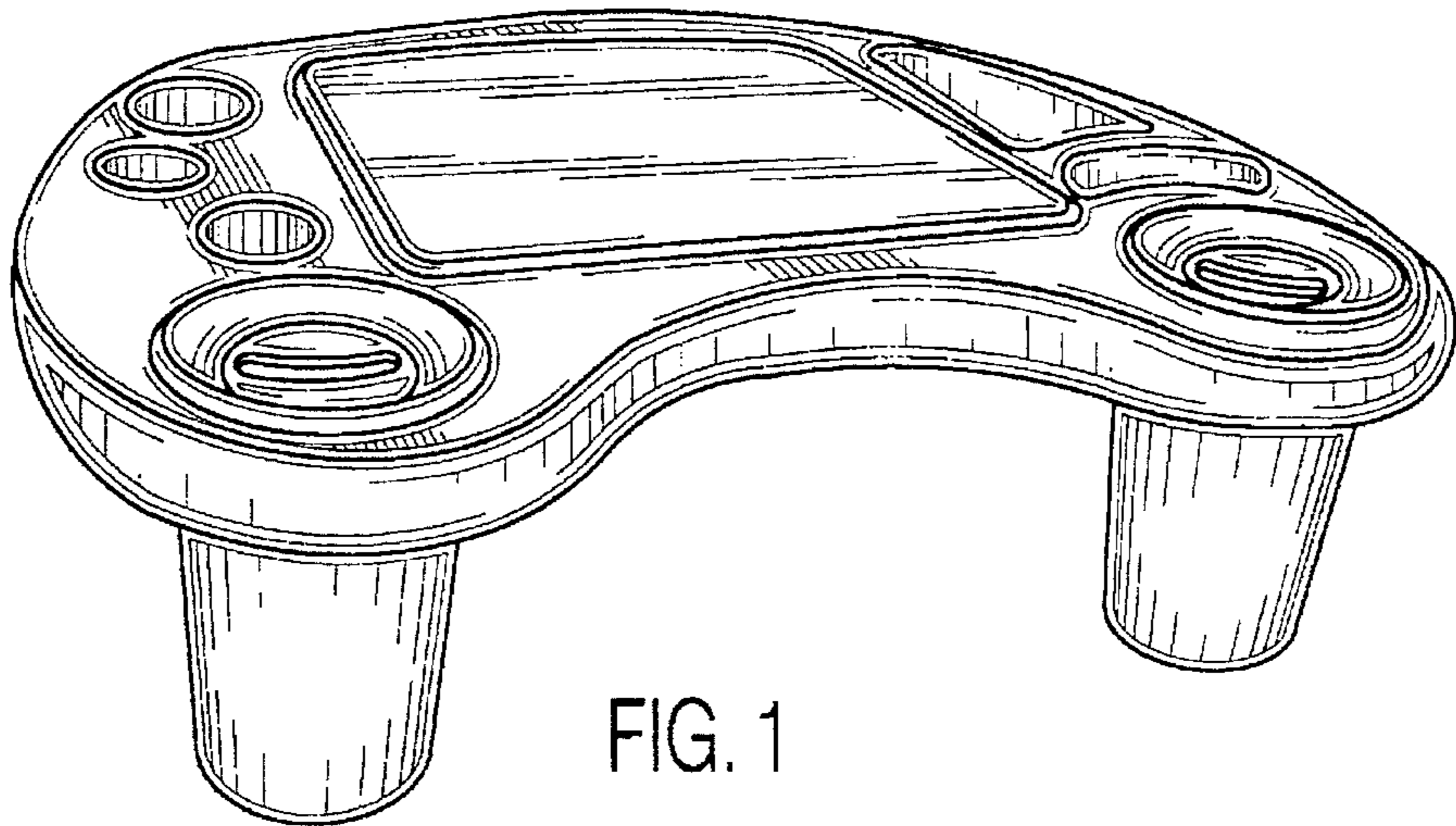


FIG. 1

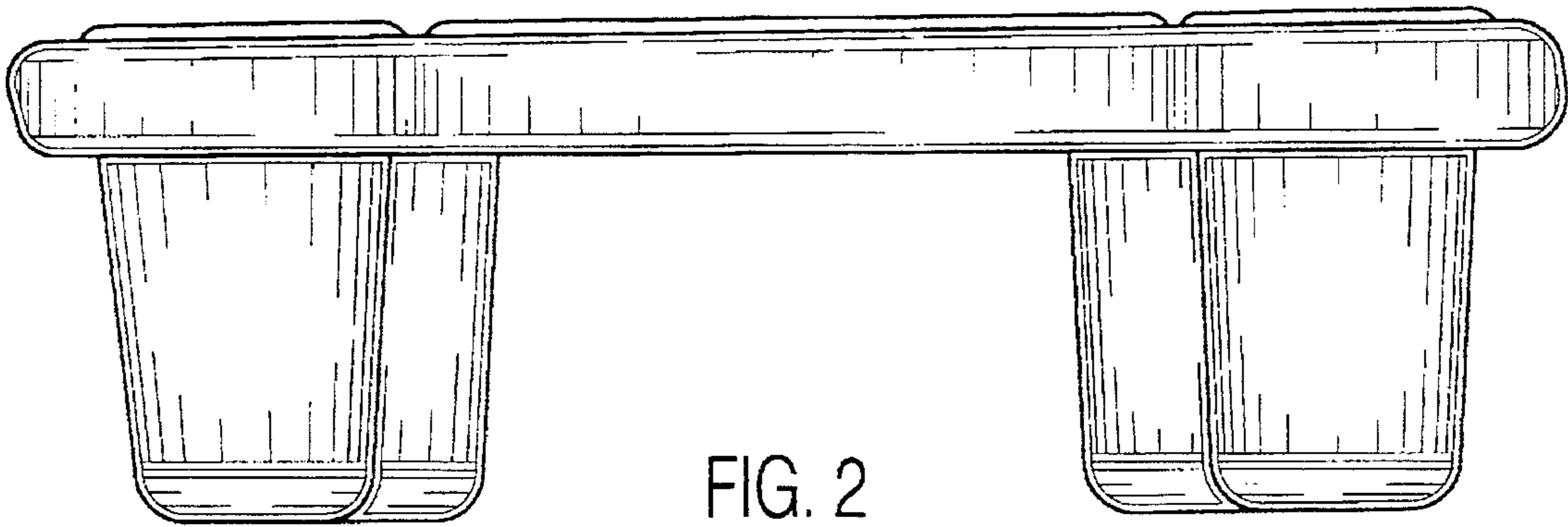


FIG. 2

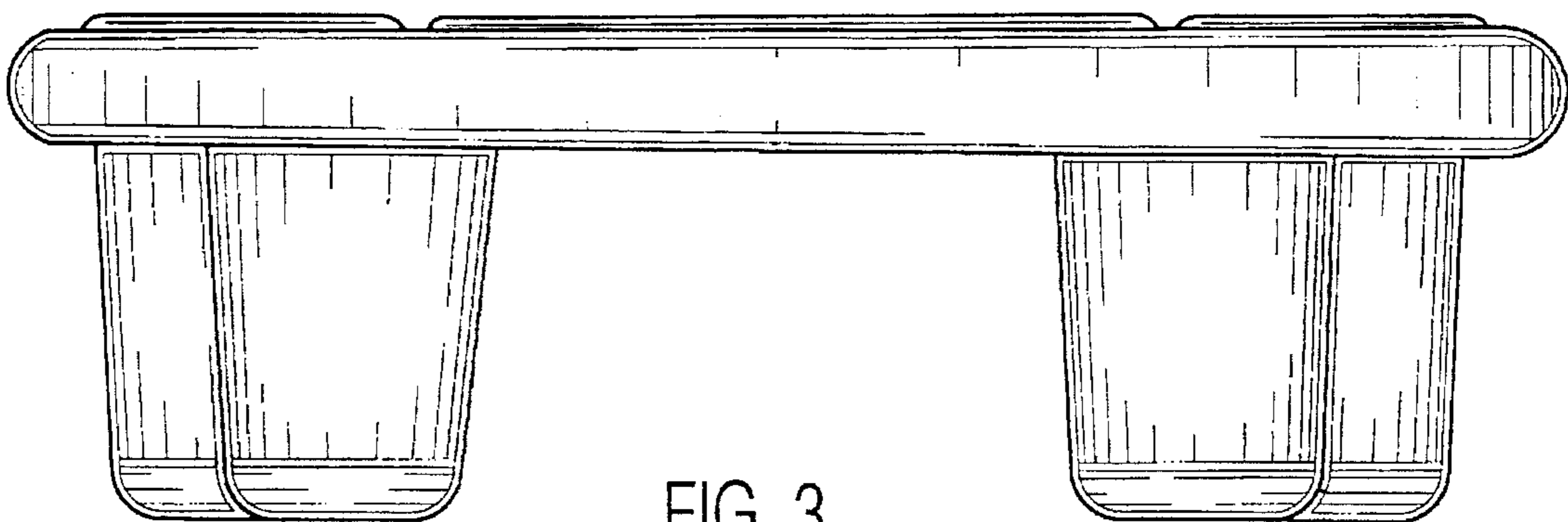


FIG. 3

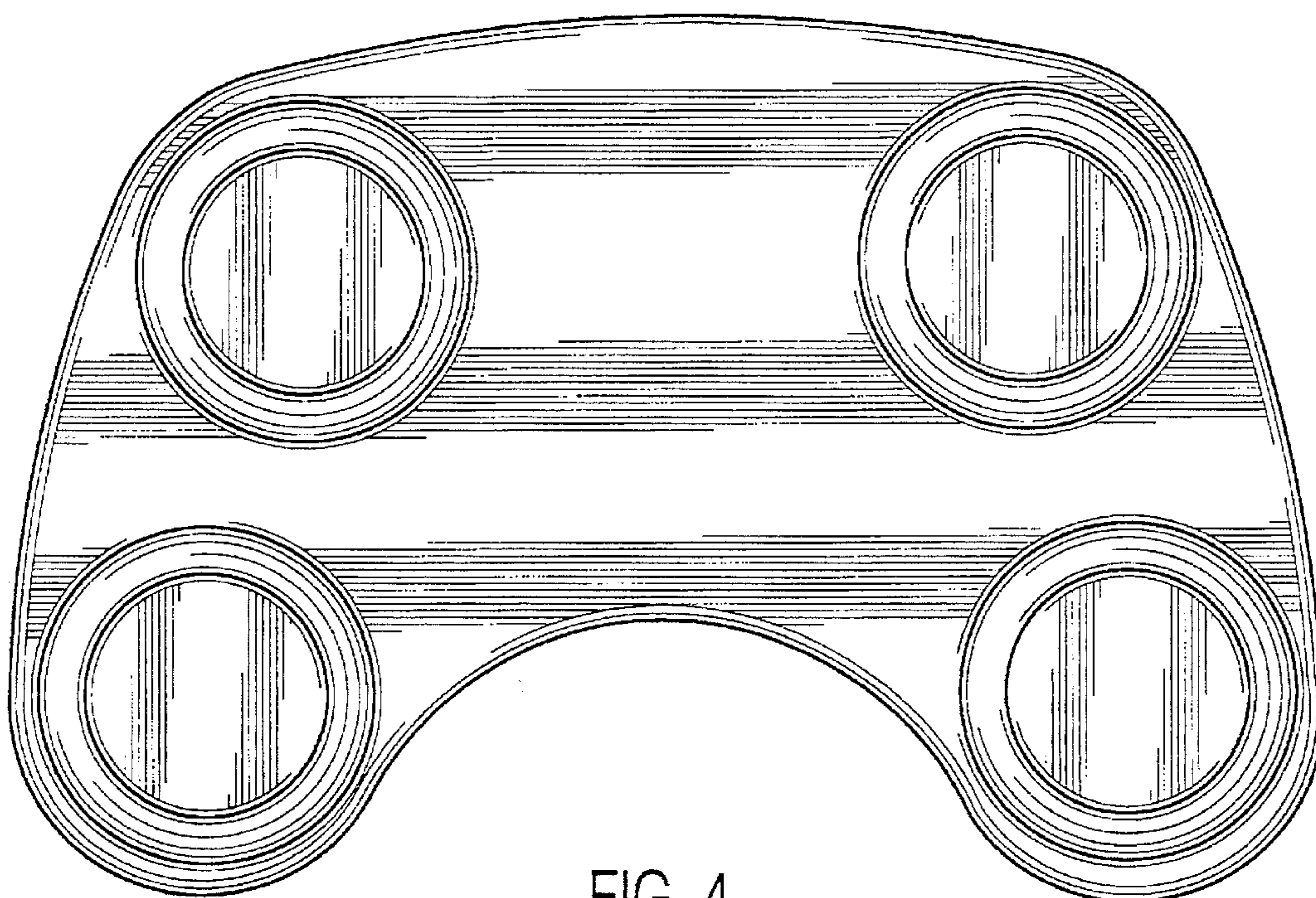


FIG. 4

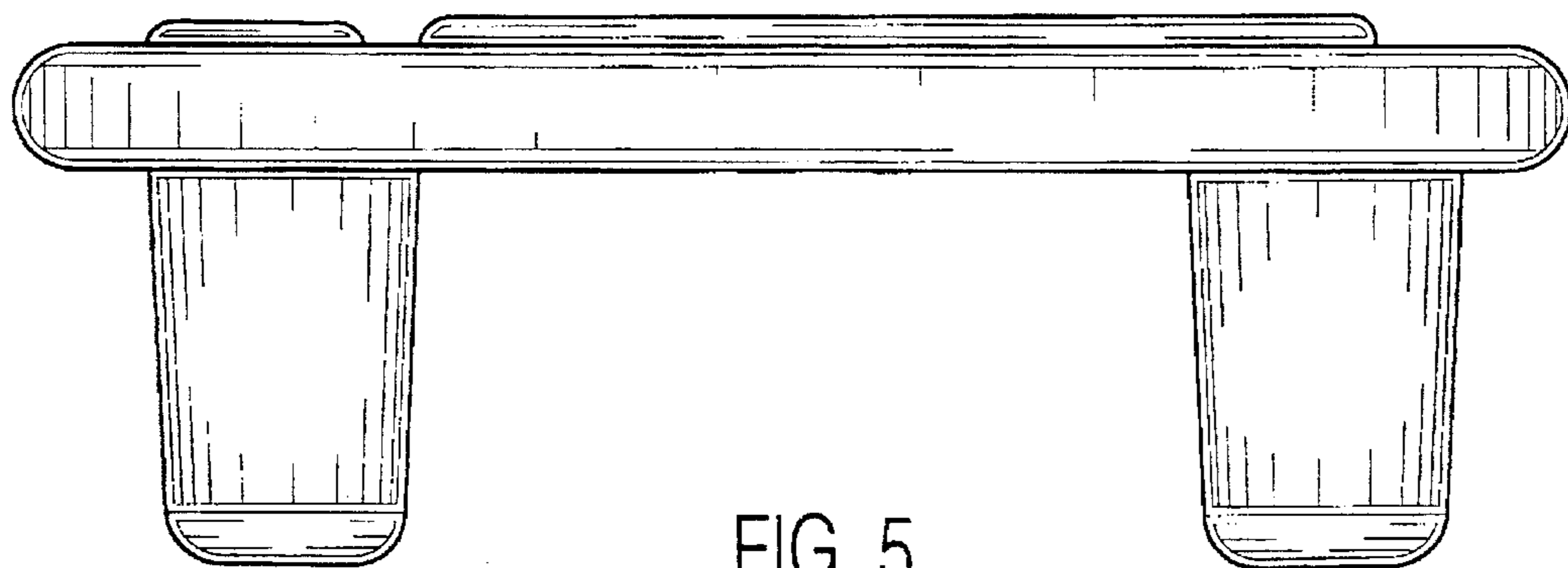


FIG. 5

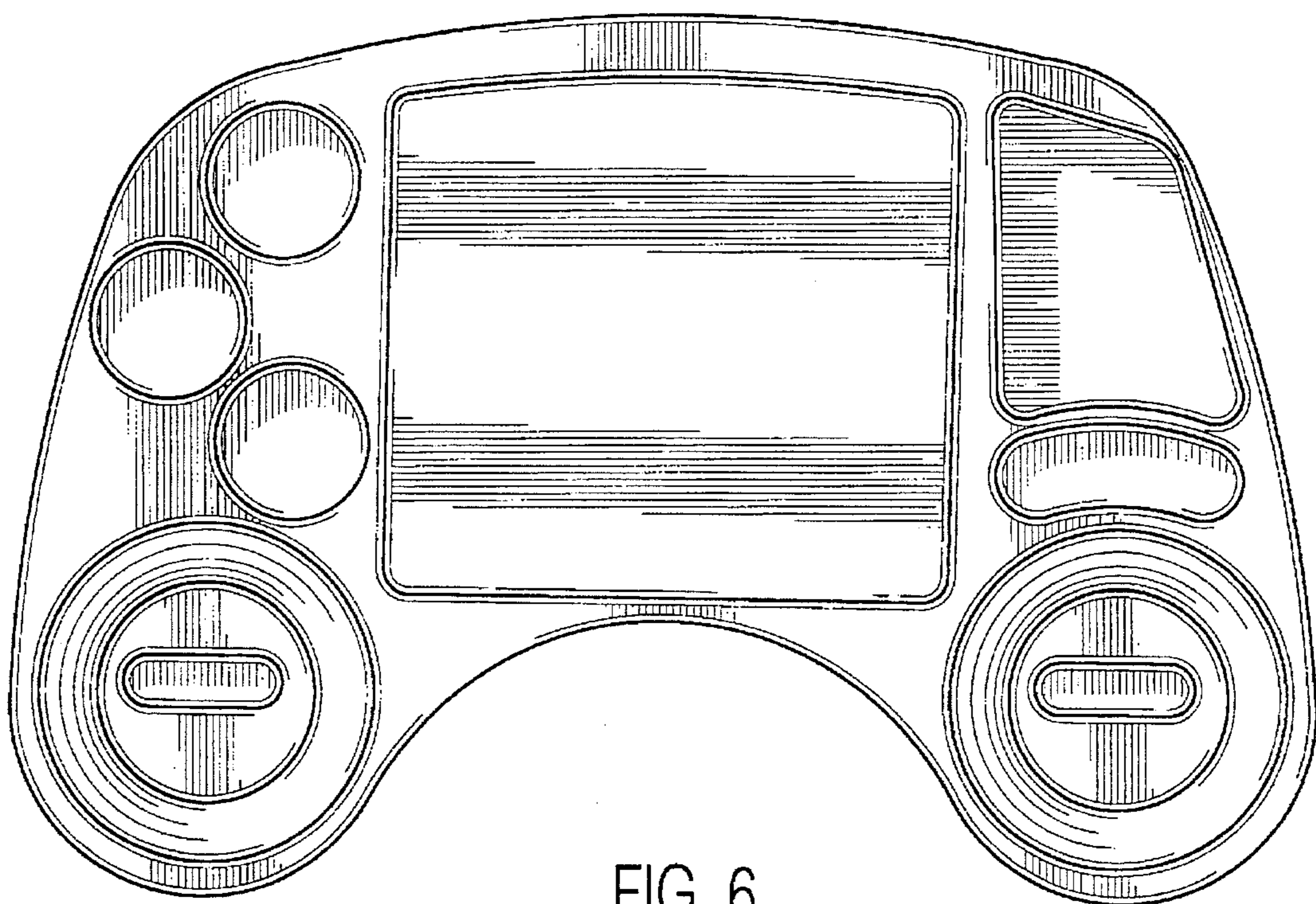


FIG. 6