



US00D382726S

# United States Patent [19] Cain

[11] Patent Number: **Des. 382,726**  
[45] Date of Patent: **\*\*Aug. 26, 1997**

[54] **HEADBOARD/FOOTBOARD**  
[75] Inventor: **Charles C. Cain**, High Point, N.C.  
[73] Assignee: **Thomasville Furniture Industries, Inc.**, Thomasville, N.C.  
[\*\*] Term: **14 Years**  
[21] Appl. No.: **54,088**  
[22] Filed: **May 6, 1996**

D. 86,064 1/1932 Squires ..... D6/383  
D. 261,336 10/1981 Thorpe ..... D6/507  
D. 321,383 11/1991 Monneret ..... D6/393 X  
D. 368,601 4/1996 Cain ..... D6/393 X  
1,700,338 1/1929 Scoggins ..... D6/393 X

### OTHER PUBLICATIONS

Thomasville Terrace Garden, catalog p. 3, Oct. 1992.  
American of Martinsville, Moongate, headboard at top.  
Best 1992/1993, p. 435, #12, headboard at bottom.

*Primary Examiner*—Janice E. Seeger  
*Attorney, Agent, or Firm*—Rhodes, Coats & Bennett, L.L.P.

### Related U.S. Application Data

[62] Division of Ser. No. 29,991, Oct. 20, 1994.  
[51] LOC (6) Cl. .... **06-01**  
[52] U.S. Cl. .... **D6/393; D6/505**  
[58] Field of Search ..... D6/382, 383, 388,  
D6/389-395; 5/53.1, 279.1

### [57] CLAIM

The ornamental design for a headboard/footboard, as shown and described.

### DESCRIPTION

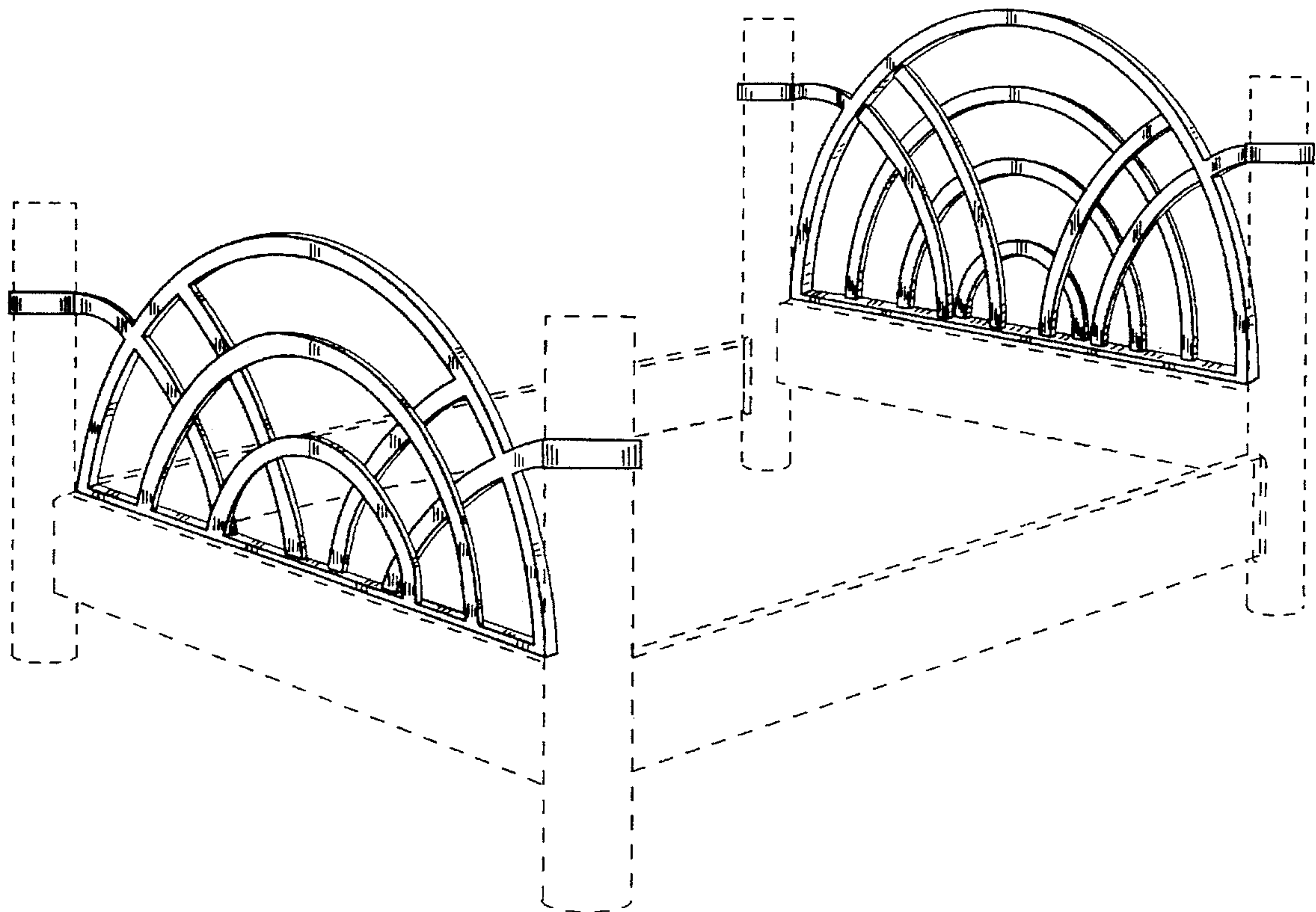
FIG. 1 is a front perspective view of a headboard/footboard showing my new design, the broken line shown throughout is for illustrating environmental elements only; and, FIG. 2 is a rear perspective view of the footboard thereof.

### [56] References Cited

#### U.S. PATENT DOCUMENTS

D. 21,856 9/1892 Wilcox ..... D6/364

**1 Claim, 2 Drawing Sheets**



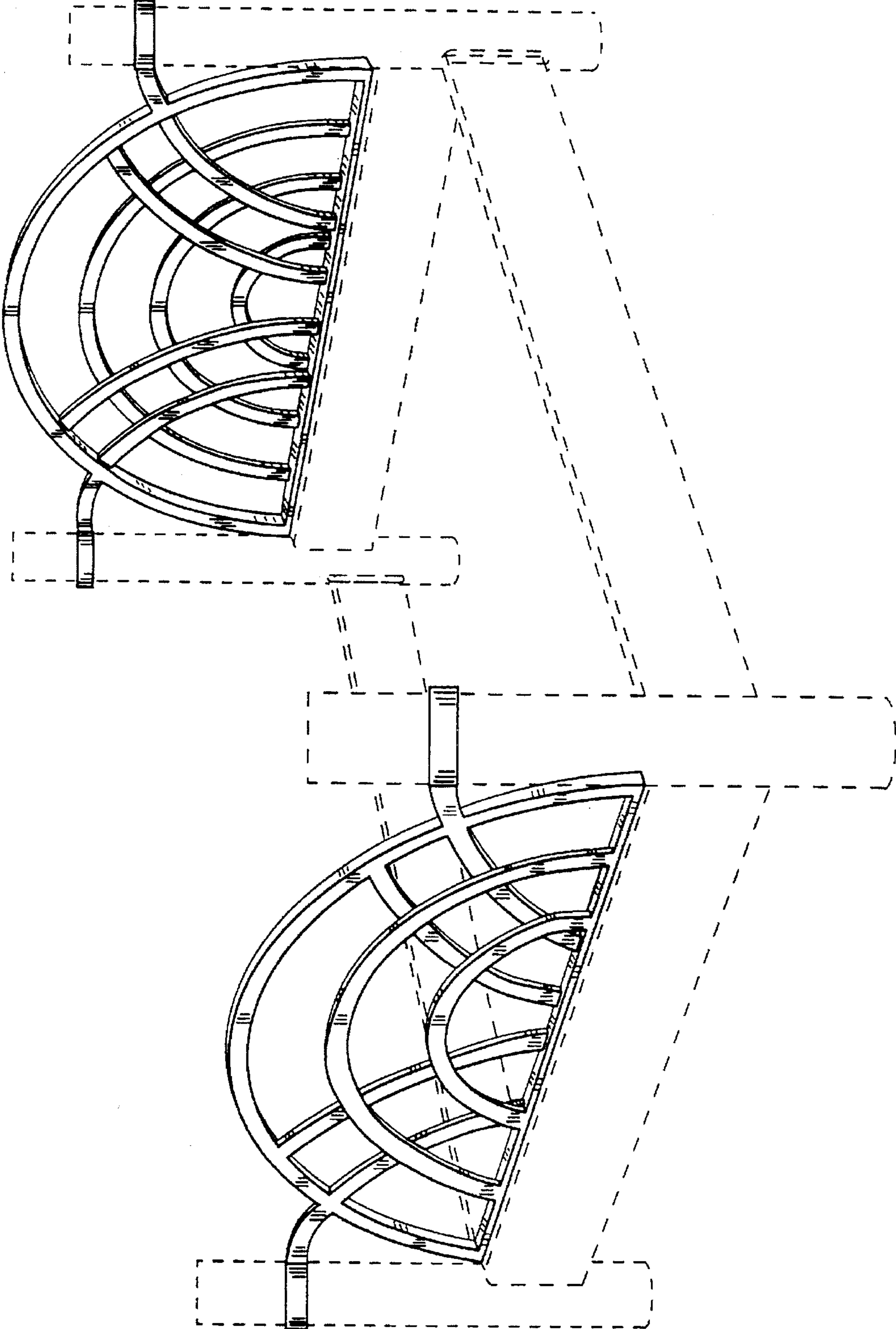


FIG. 1

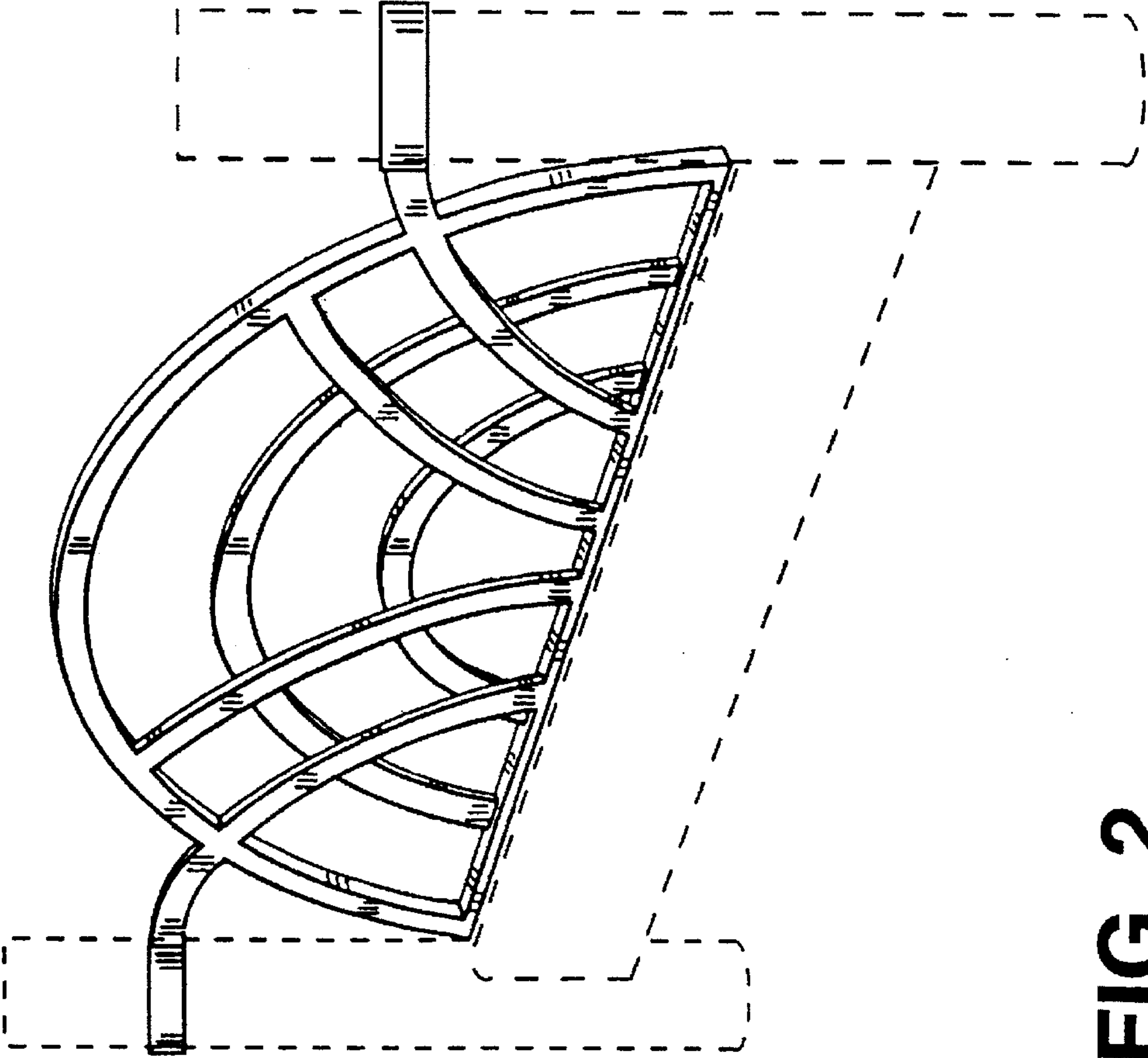


FIG. 2