



US00D382720S

United States Patent [19] Gera

[11] Patent Number: **Des. 382,720**

[45] Date of Patent: ****Aug. 26, 1997**

[54] **SEAT**

[75] Inventor: **Robert John Gera**, Belden, Miss.

[73] Assignee: **Universal Furniture Industries, Inc.**,
High Point, N.C.

[**] Term: **14 Years**

[21] Appl. No.: **54,128**

[22] Filed: **May 7, 1996**

[51] LOC (6) Cl. **06-01**

[52] U.S. Cl. **D6/335; D6/381**

[58] Field of Search **D6/334, 335, 336,**
D6/364, 371, 373, 381, 500, 501, 502;
297/232; 5/12.1

D. 367,183 2/1996 Natuzzi et al. D6/335
D. 369,478 5/1996 Riboldi D6/381

OTHER PUBLICATIONS

Interiors, Jul. 1974, p. 38, Brayton International Sectional
Sofa at top.
Wayline, Jun. 1977, #826 Sectional Shown.
Design Institute America, ©1983, Sectional 8028 Shown.

Primary Examiner—Gary D. Watson
Attorney, Agent, or Firm—Edgar A. Zarins; Malcolm L.
Sutherland

[57] CLAIM

The ornamental design for a seat, as shown and described.

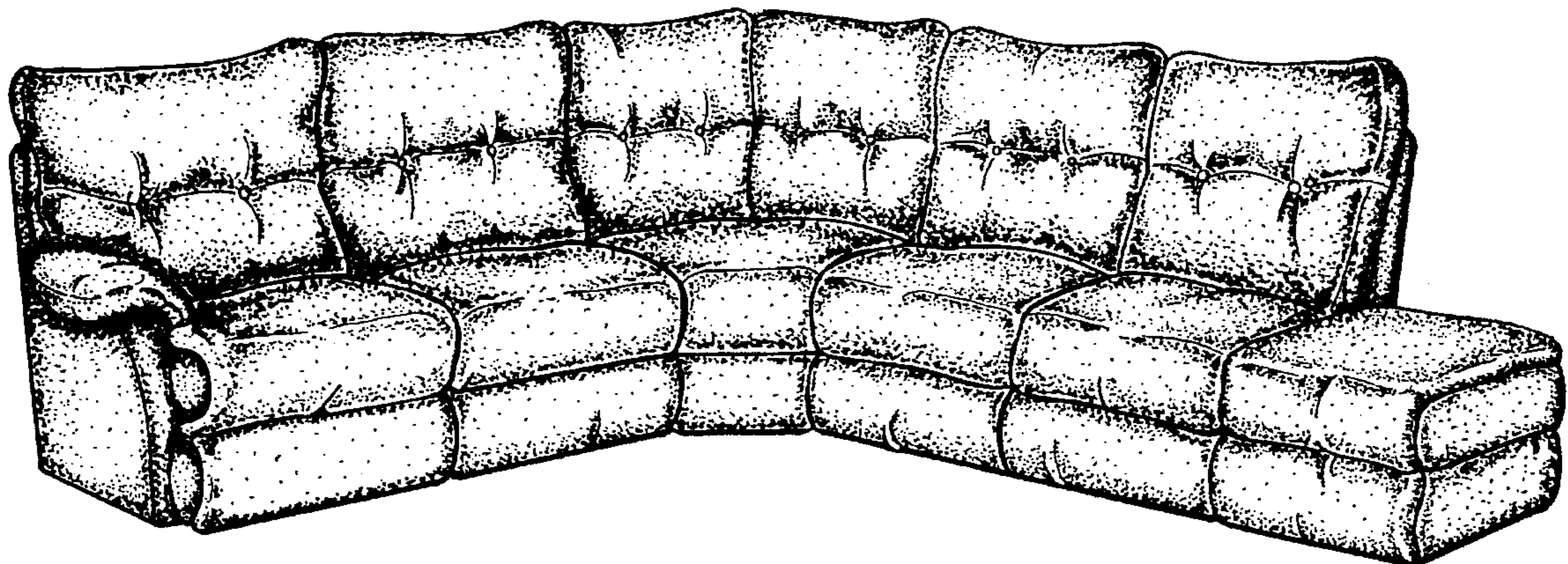
DESCRIPTION

FIG. 1 is a perspective view of a seat showing my new design;
FIG. 2 is a top plan view thereof;
FIG. 3 is a left side elevational view thereof; and,
FIG. 4 is a right side elevational view thereof.
The rear view forms no part of the claimed design.

1 Claim, 3 Drawing Sheets

[56] **References Cited**
U.S. PATENT DOCUMENTS

D. 251,705 5/1979 Fuldner D6/381
D. 282,886 3/1986 Williams D6/336
D. 343,068 1/1994 Robison et al. D6/335
D. 349,613 8/1994 Greene D6/381
D. 351,954 11/1994 Gera D6/381



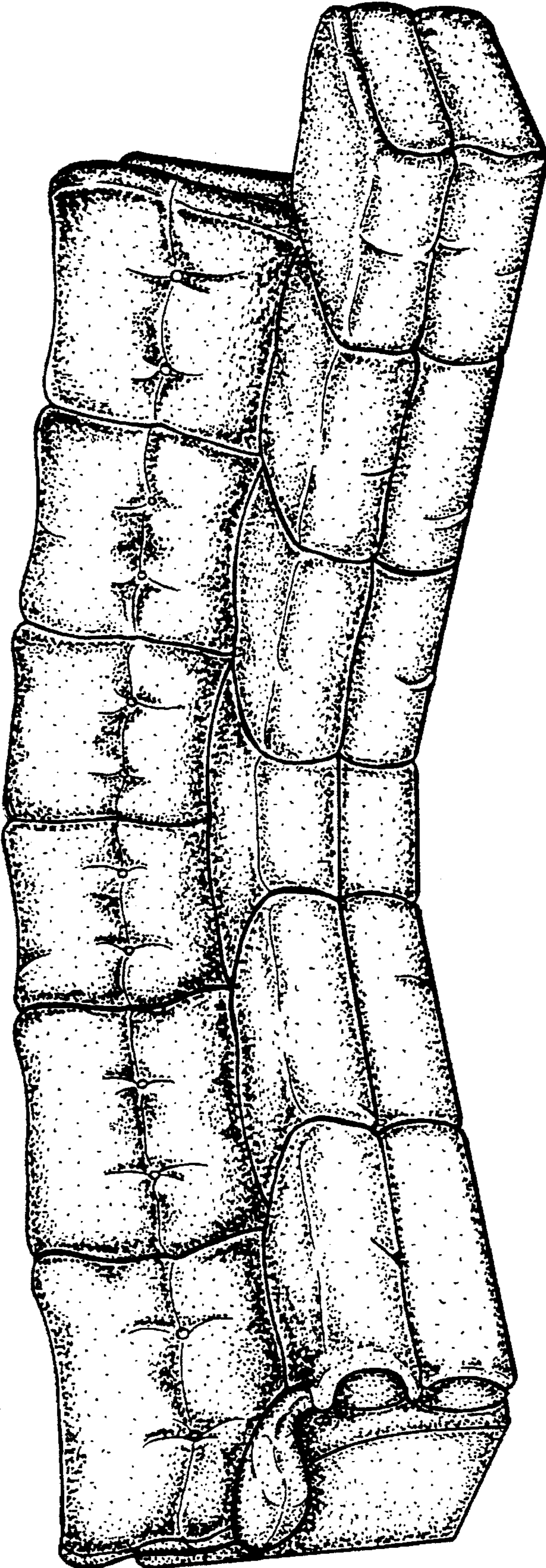


Fig - 1

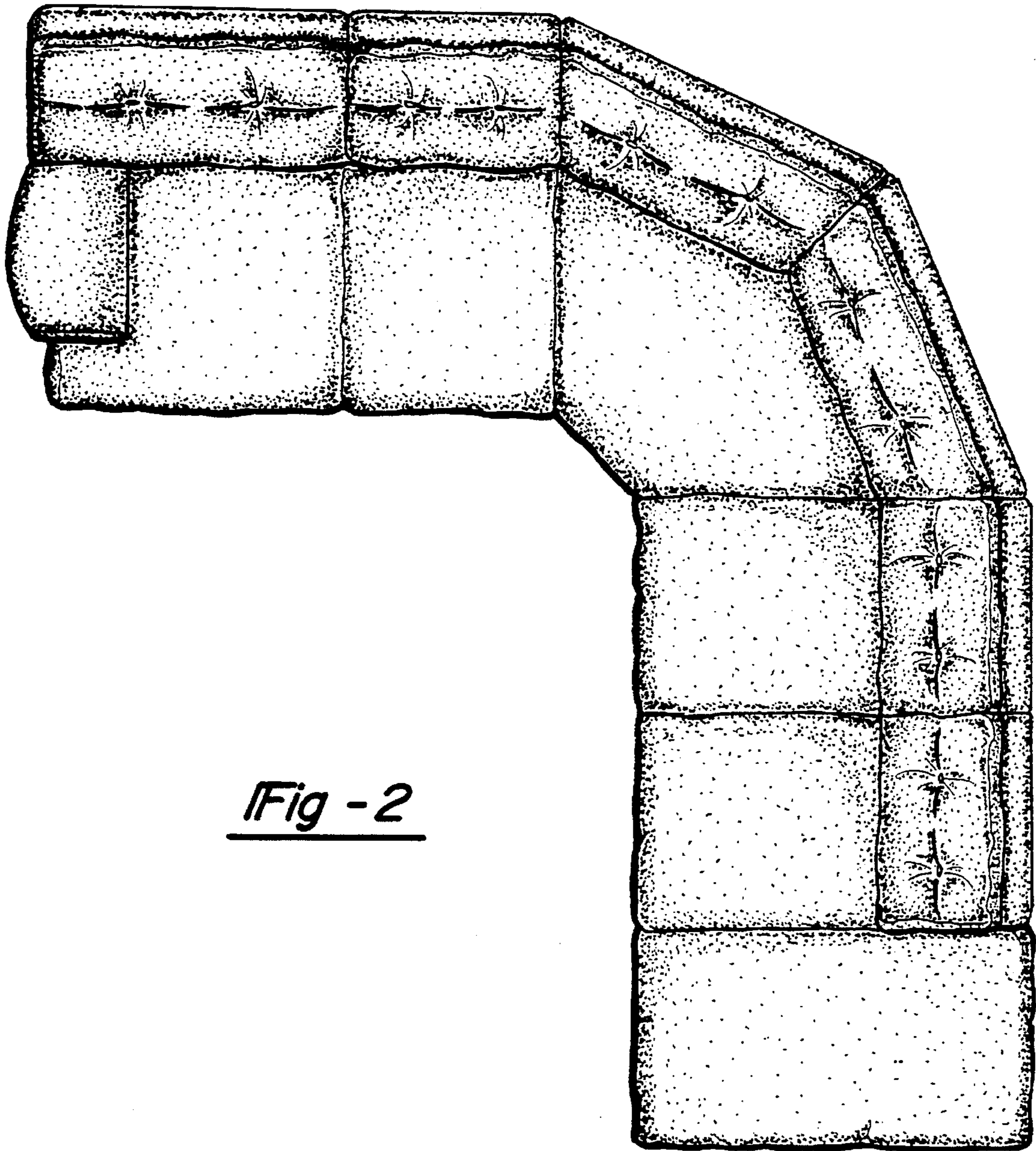


Fig - 2

Fig - 3

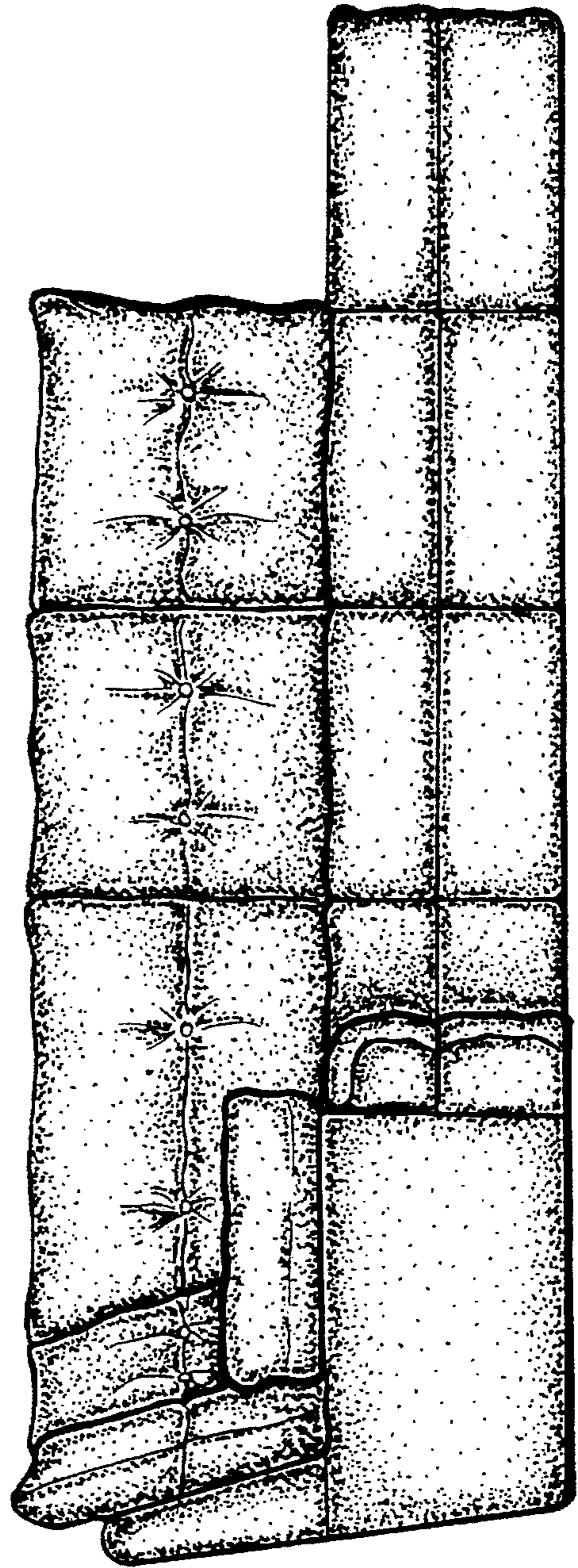
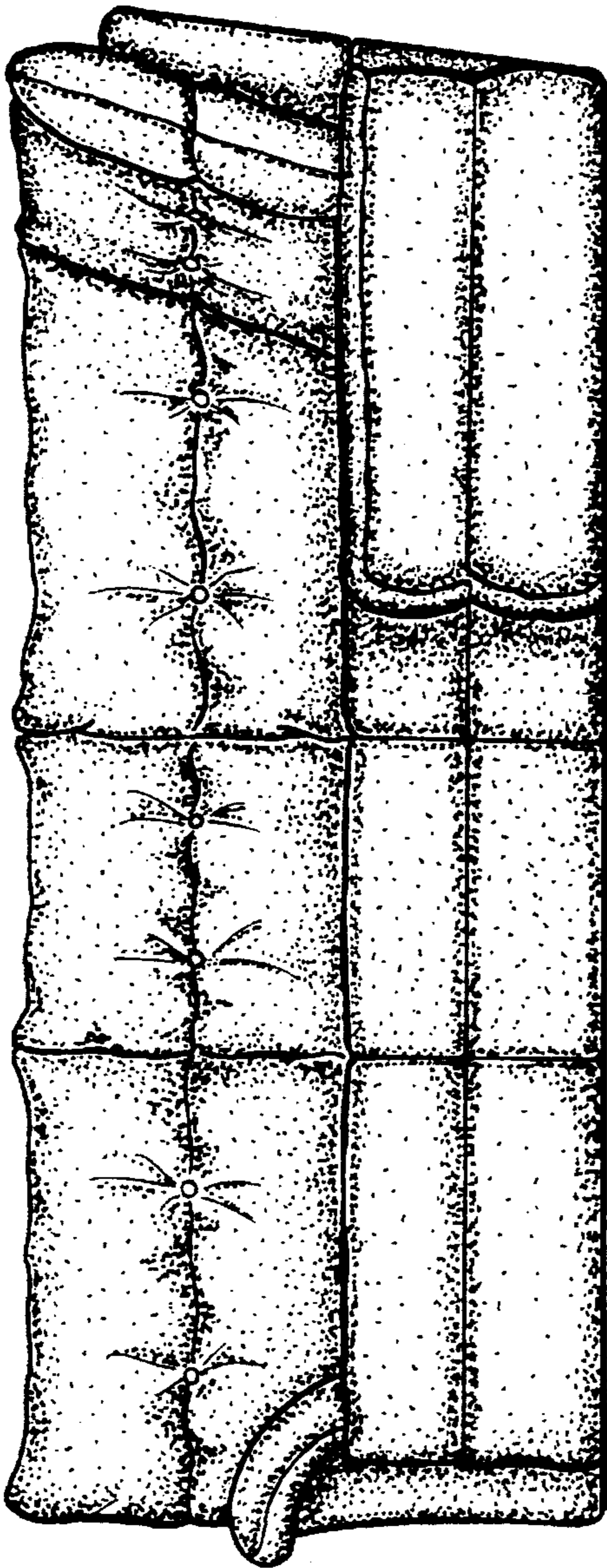


Fig - 4