



US00D382718S

United States Patent [19]

[11] Patent Number: Des. 382,718

Mariol

[45] Date of Patent: **Aug. 26, 1997

[54] COMBINED PLAYYARD AND TOY BAG

5,339,470 8/1994 Shamie 5/98.1

[76] Inventor: **John V. Mariol**, 6560 Spindlewick La., Cincinnati, Ohio 45230

OTHER PUBLICATIONS

J.C. Penney for Baby, c1992, p. 34, #B at top left.

[**] Term: **14 Years**

Primary Examiner—Janice E. Seeger

[21] Appl. No.: **29,769**

[57] CLAIM

[22] Filed: **Oct. 17, 1994**

The ornamental design of the combined playyard and toy bag, as shown and described.

[51] LOC (6) Cl. **06-01**

[52] U.S. Cl. **D6/331; D6/391**

[58] Field of Search D6/331, 333, 390, D6/391; 5/98.1, 99.1, 94, 655

DESCRIPTION

FIG. 1 is a perspective view of the combined playyard and toy bag showing the design of my invention;

FIG. 2 is a left end view thereof;

FIG. 3 is a right end view thereof;

FIG. 4 is a top plan view thereof;

FIG. 5 is a front view thereof; and,

FIG. 6 is a bottom view thereof.

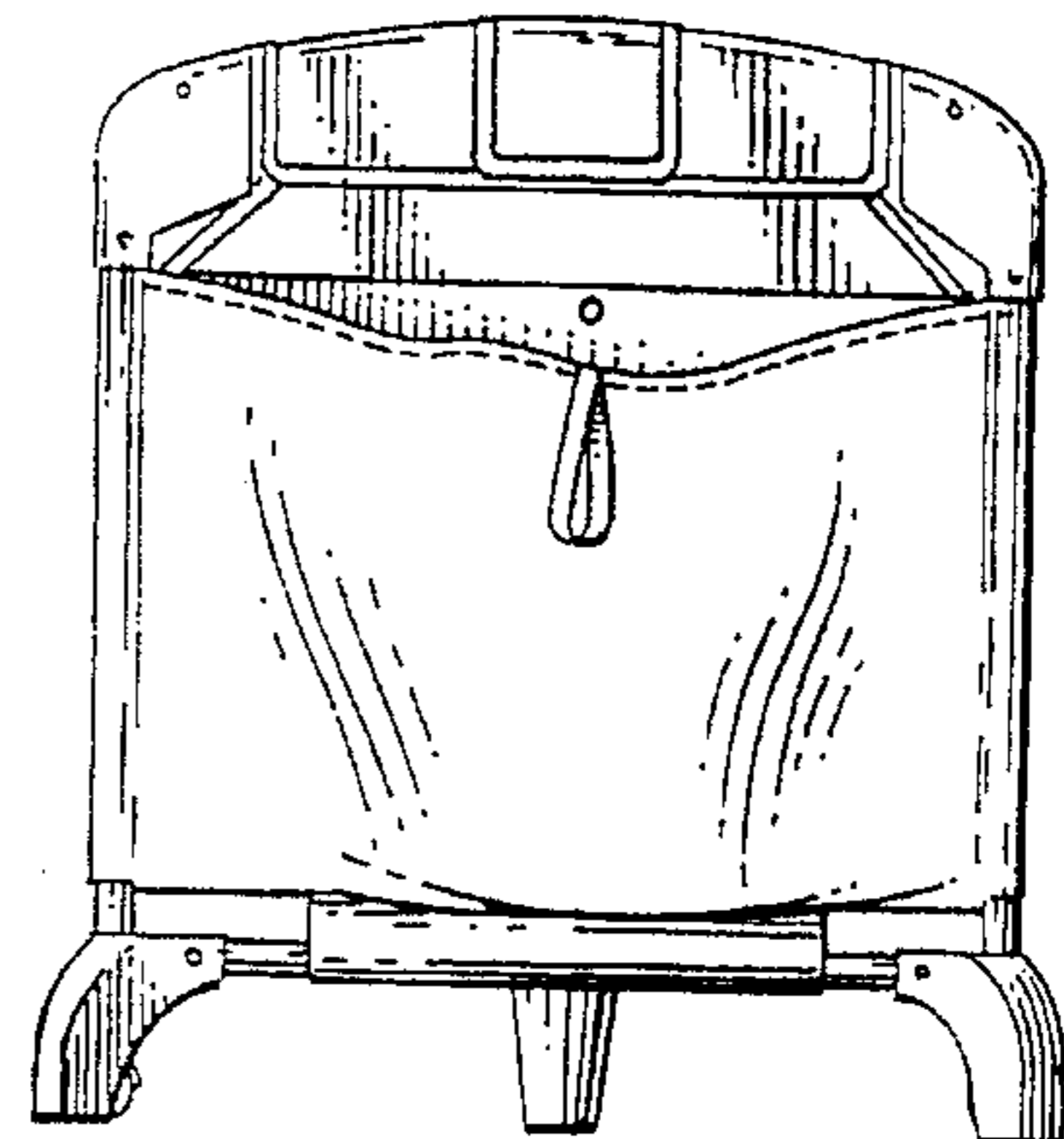
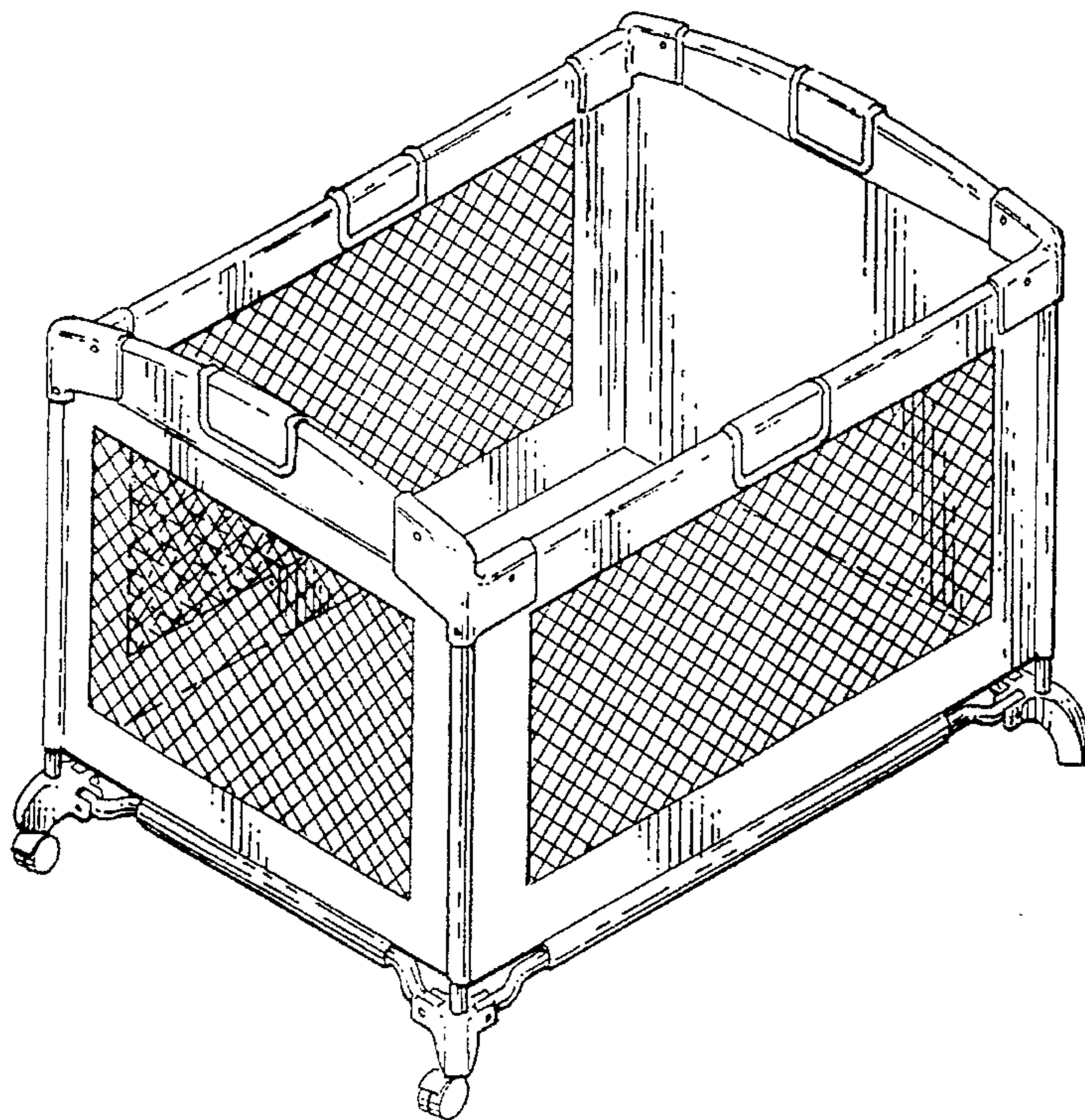
The rear view is a mirror image of the front view.

[56] References Cited

U.S. PATENT DOCUMENTS

D. 304,523	11/1989	Dillner et al.	D6/391
D. 323,589	2/1992	Mariol	D6/331
1,435,299	11/1922	Holbrook	5/97
3,103,948	9/1963	Landry	D6/331
4,985,948	1/1991	Mariol	5/99.1
5,172,435	12/1992	Griffin et al.	5/98.1

1 Claim, 2 Drawing Sheets



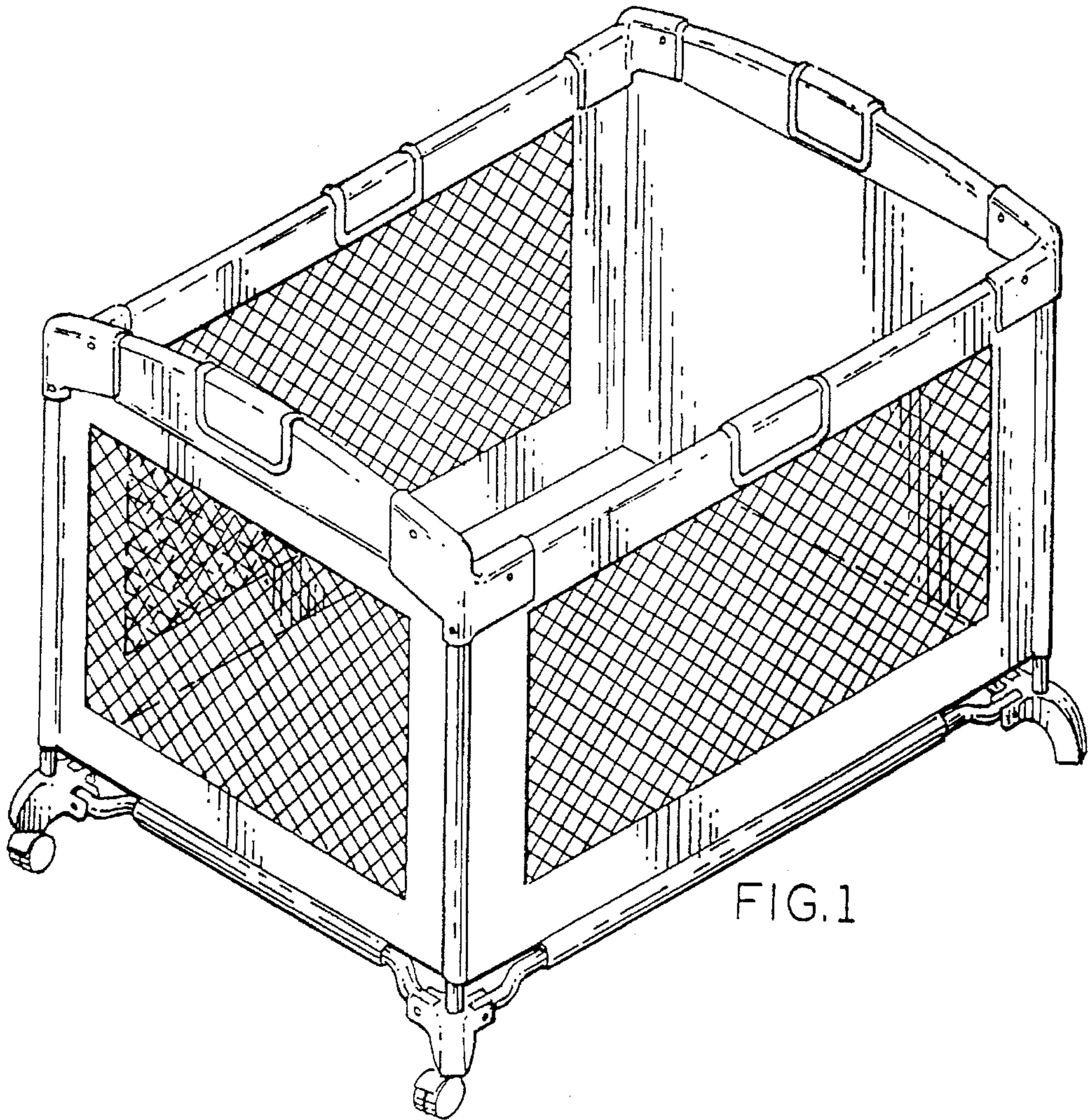


FIG. 1

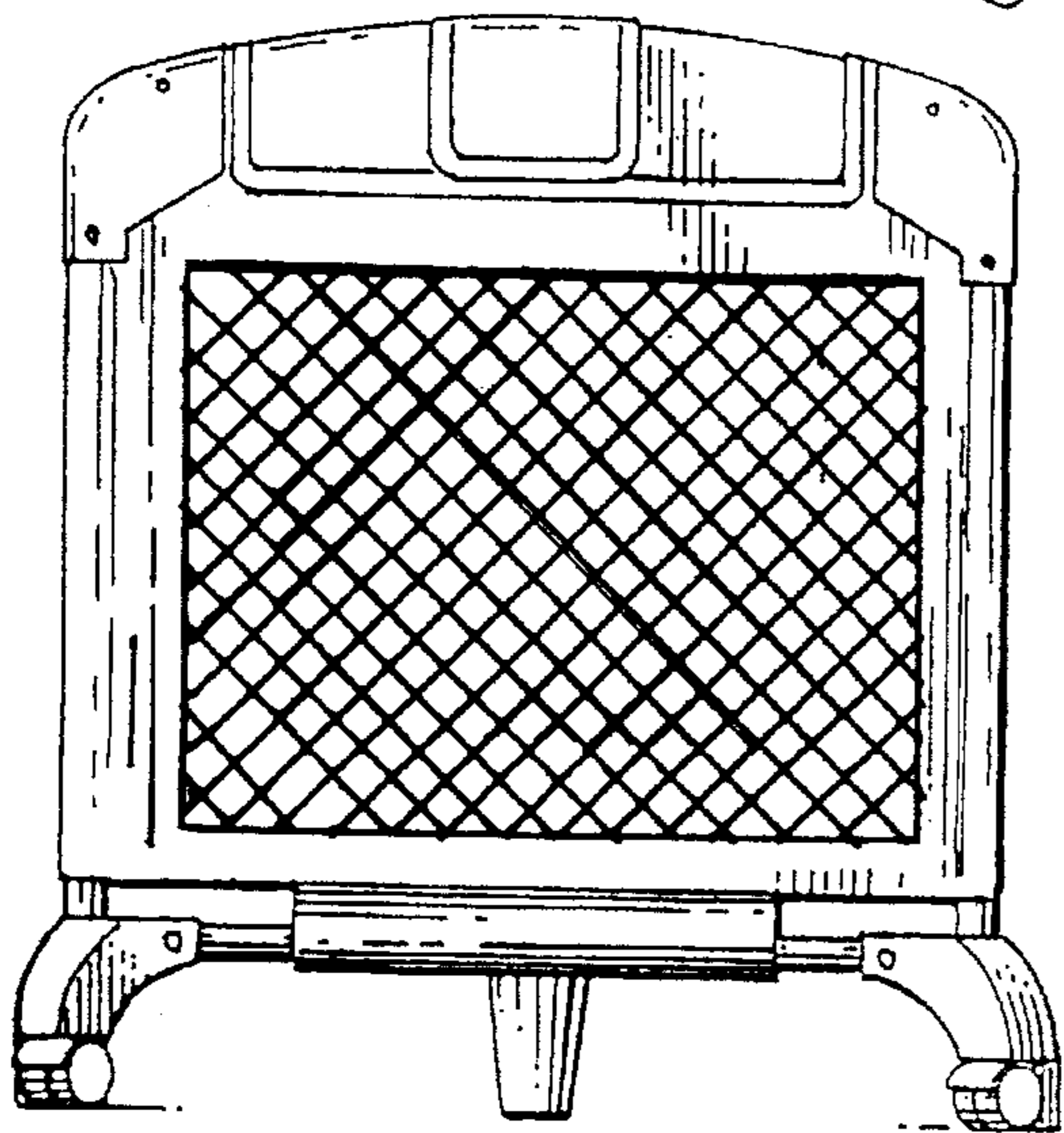


FIG. 2

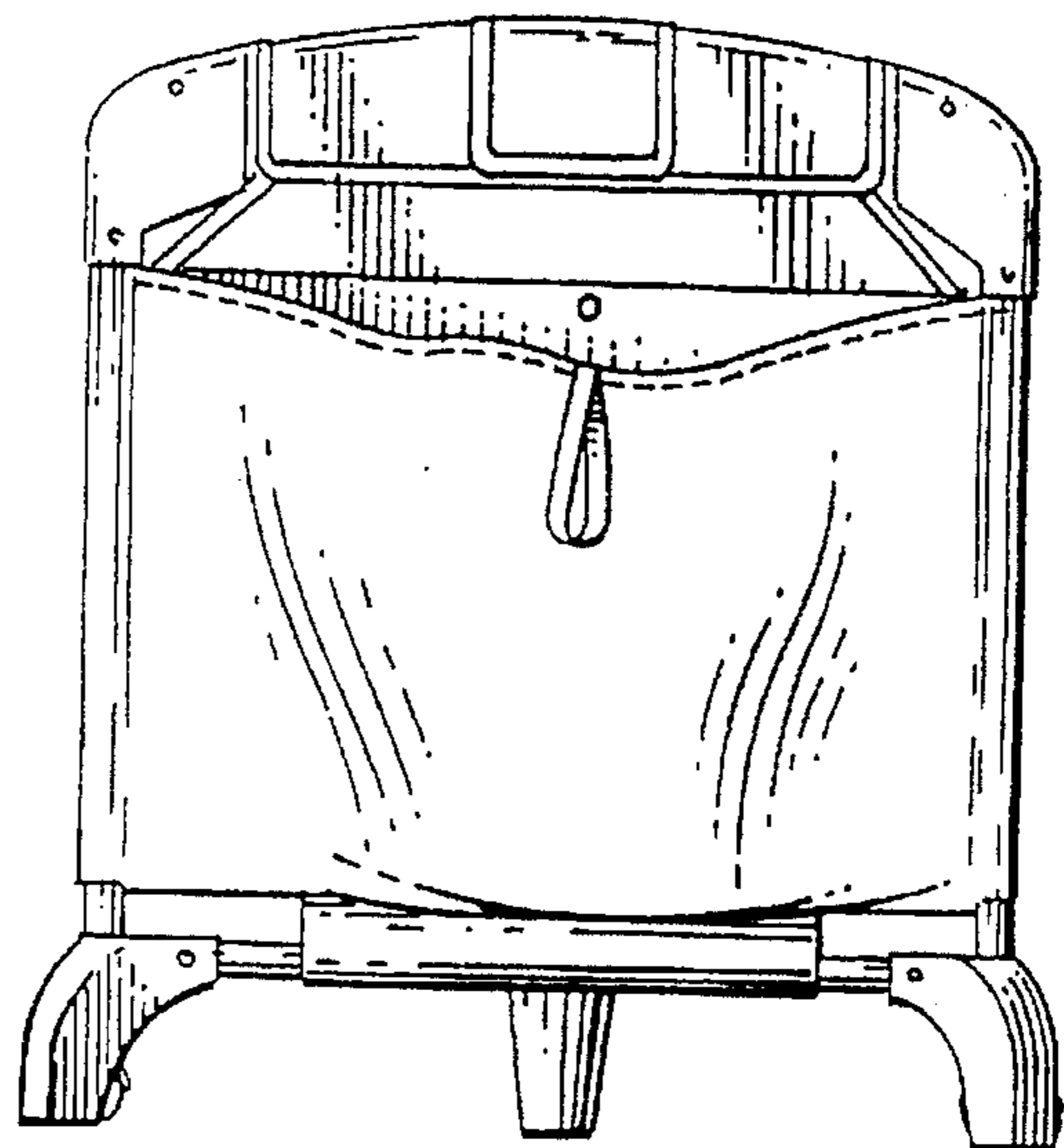


FIG. 3

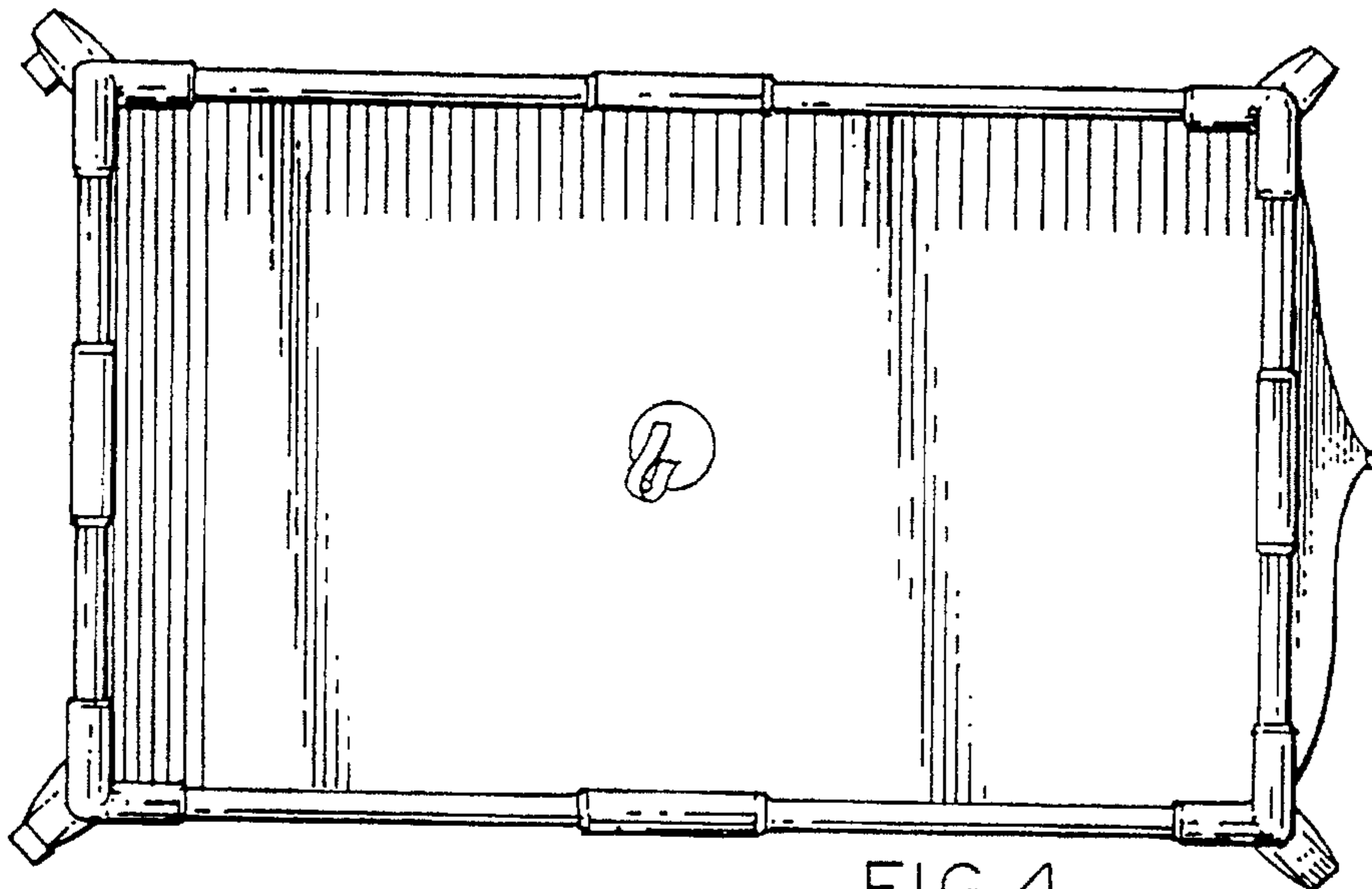


FIG. 4

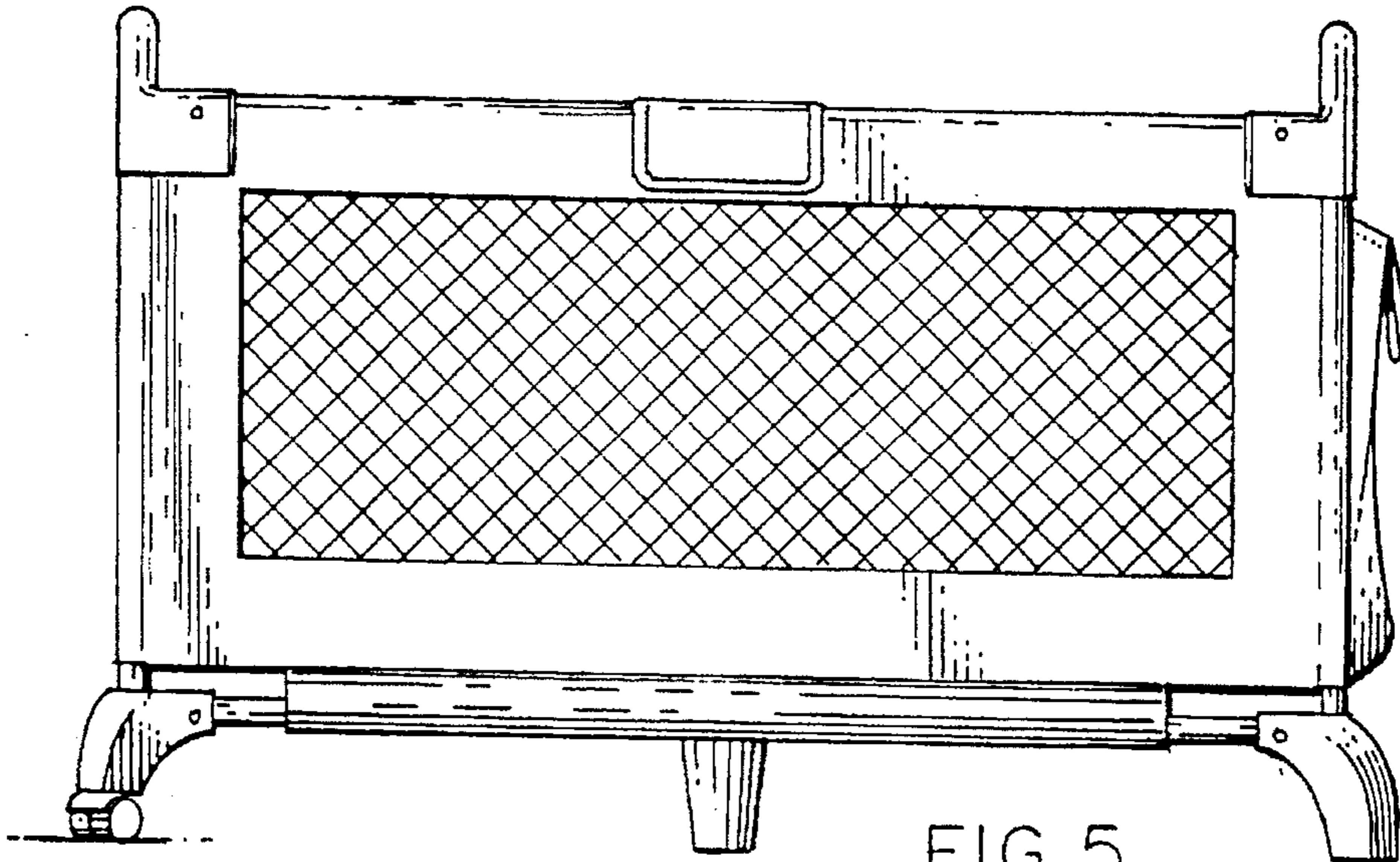


FIG. 5

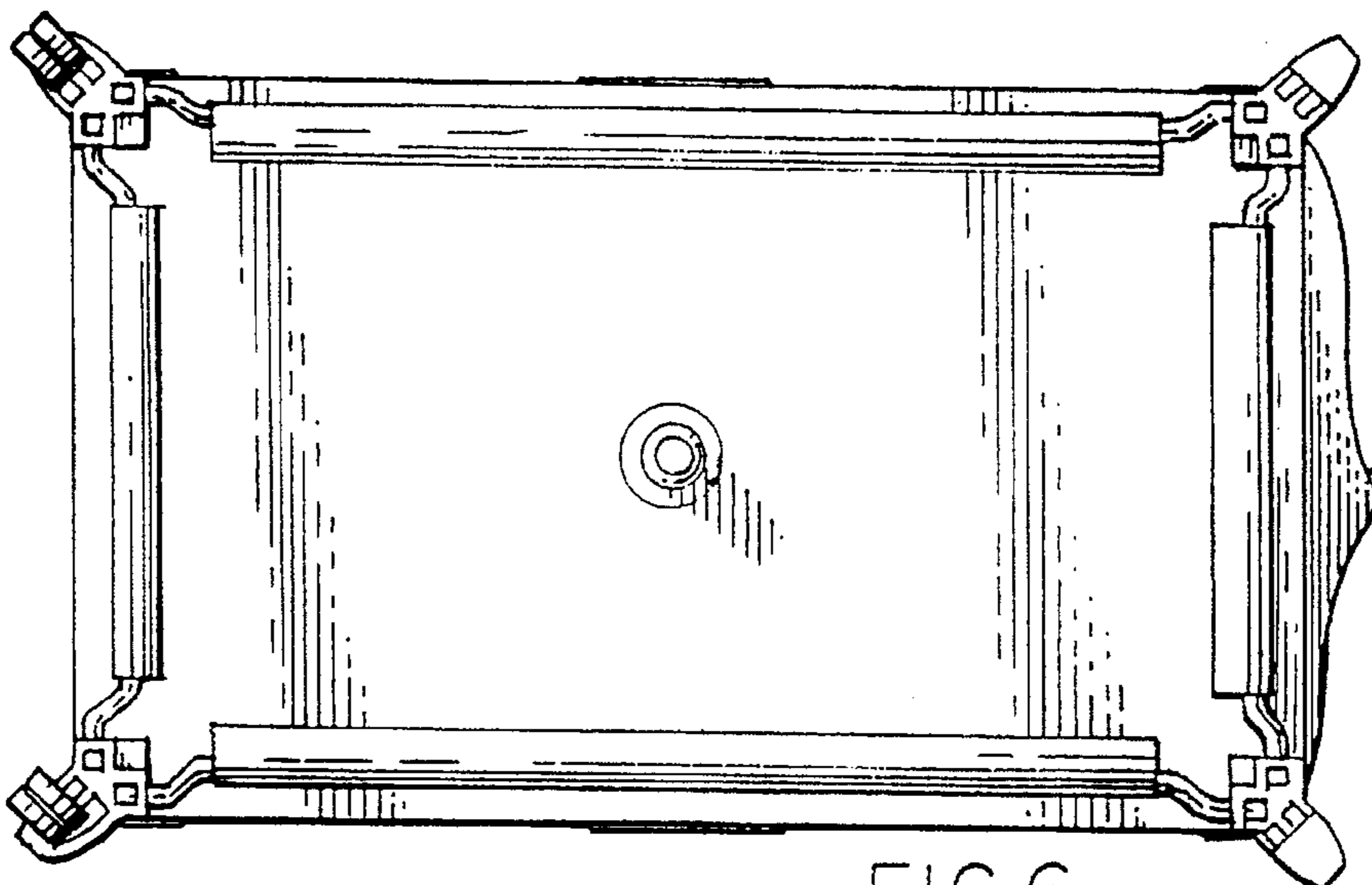


FIG. 6