



US00D382711S

United States Patent [19]
Wyman

[11] **Patent Number: Des. 382,711**
[45] **Date of Patent: **Aug. 26, 1997**

[54] **SEED STORAGE TRAY**

[76] **Inventor: William J. Wyman**, 1949 Knox Rd.
1000 North, Williamsfield, Ill. 61489

[**] **Term: 14 Years**

[21] **Appl. No.: 42,021**

[22] **Filed: Jul. 31, 1995**

[51] **LOC (6) Cl. 03-01**

[52] **U.S. Cl. D3/309; D3/311**

[58] **Field of Search D3/304, 307-314;**
206/562, 429; 220/4.24; 294/158; 312/244;
D9/347, 348

[56] **References Cited**

U.S. PATENT DOCUMENTS

- D. 218,722 9/1970 Vaccaro D3/308
- D. 232,272 7/1974 Hahn D3/313
- D. 266,207 9/1982 Kirchberger et al. D3/308 X
- D. 272,923 3/1984 Quinn et al. D3/313
- D. 299,778 2/1989 Smith D3/307
- 1,318,007 10/1919 Gau .
- 1,882,756 10/1932 Boynton .
- 2,558,386 6/1951 Rabinowitz .

- 4,362,240 12/1982 Elward .
- 4,923,744 5/1990 Peeters .
- 5,169,603 12/1992 Landsberger .
- 5,415,277 5/1995 Berntsen 206/429 X

Primary Examiner—B. J. Bullock
Assistant Examiner—Richelle Shelton
Attorney, Agent, or Firm—Dennis H. Lambert, Esq.

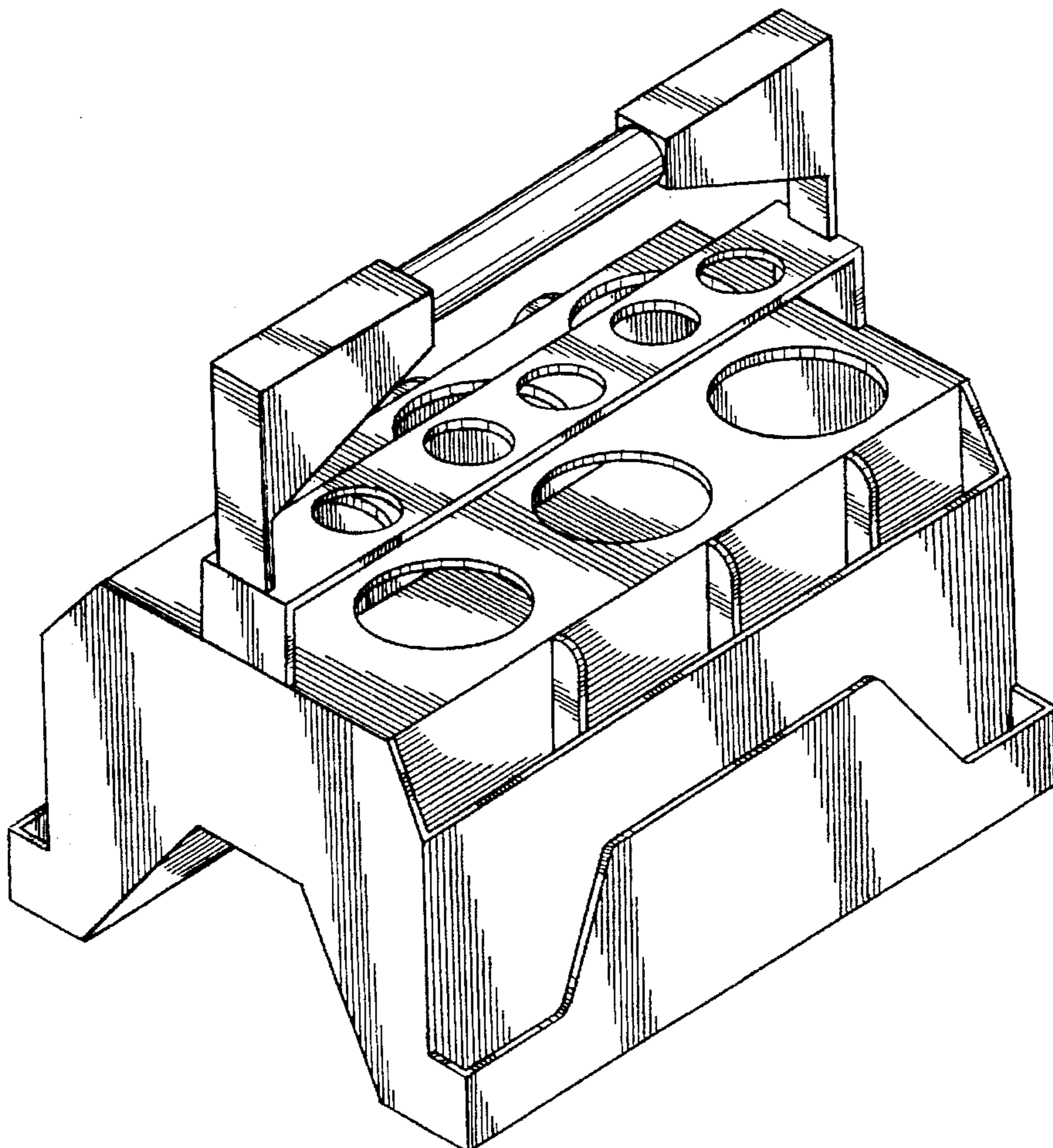
[57] **CLAIM**

The ornamental design for a seed storage tray, as shown and described.

DESCRIPTION

FIG. 1 is a front, top and side perspective view of the seed storage tray embodying the design of the present invention; FIG. 2 is a front elevational view thereof, the rear elevational view being a mirror image; FIG. 3 is an end elevational view thereof, the end opposite being a mirror image of the end shown in FIG. 3; FIG. 4 is a top plan view thereof; and, FIG. 5 is a bottom plan view thereof. The broken line showing of packages of seeds in FIG. 2 is for illustrative purposes only and forms no part of the claimed design.

1 Claim, 3 Drawing Sheets



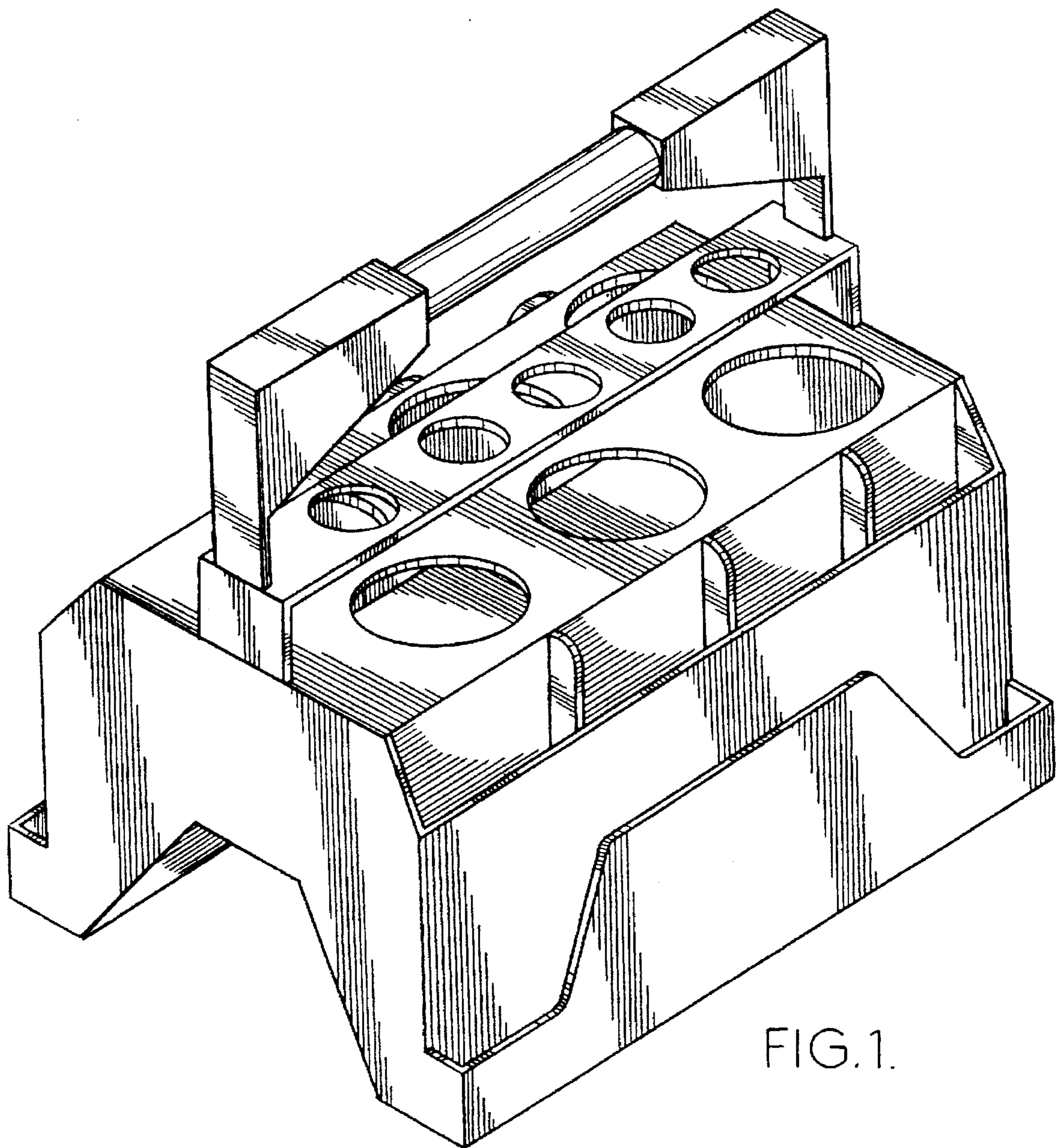


FIG. 1.

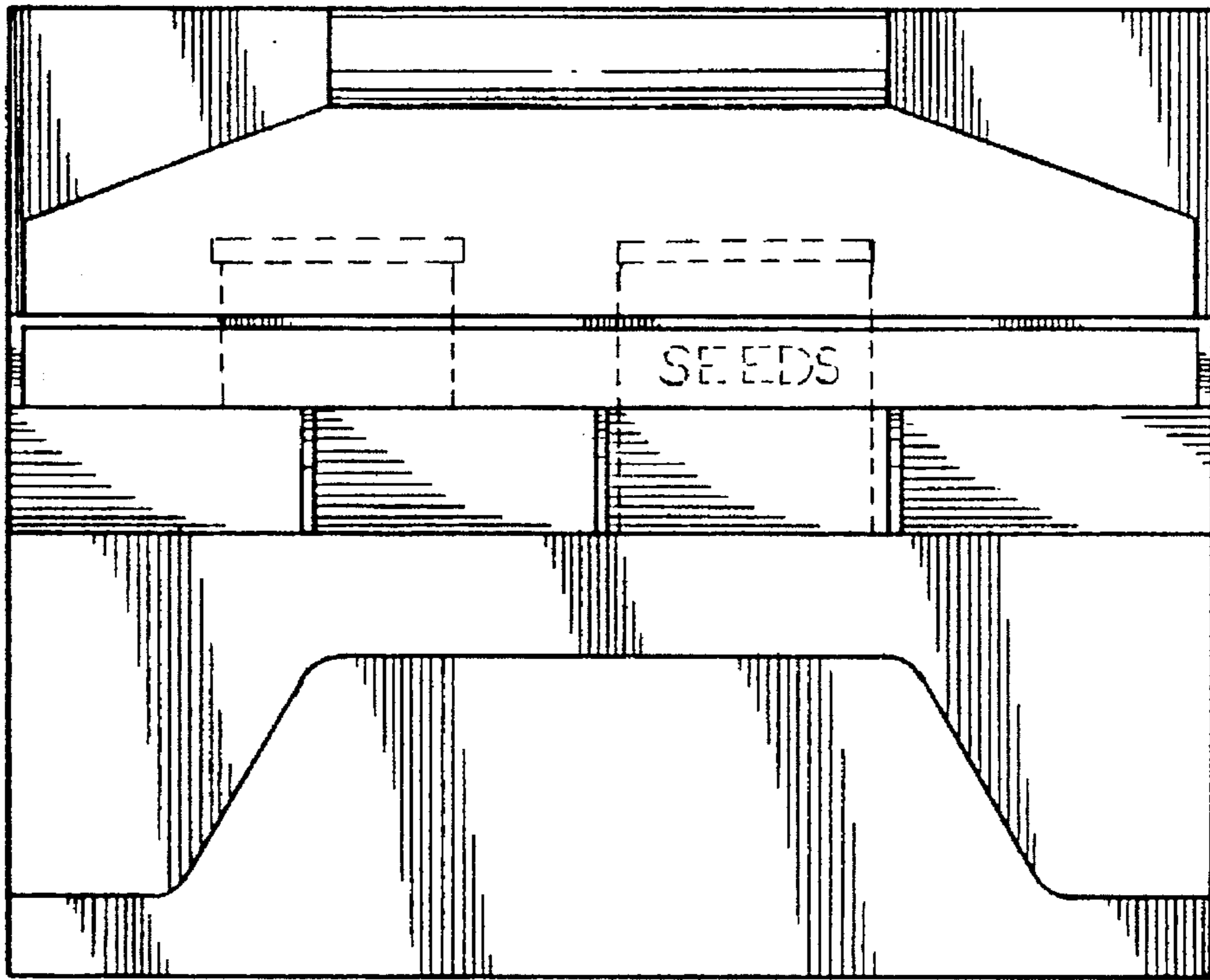


FIG. 2.

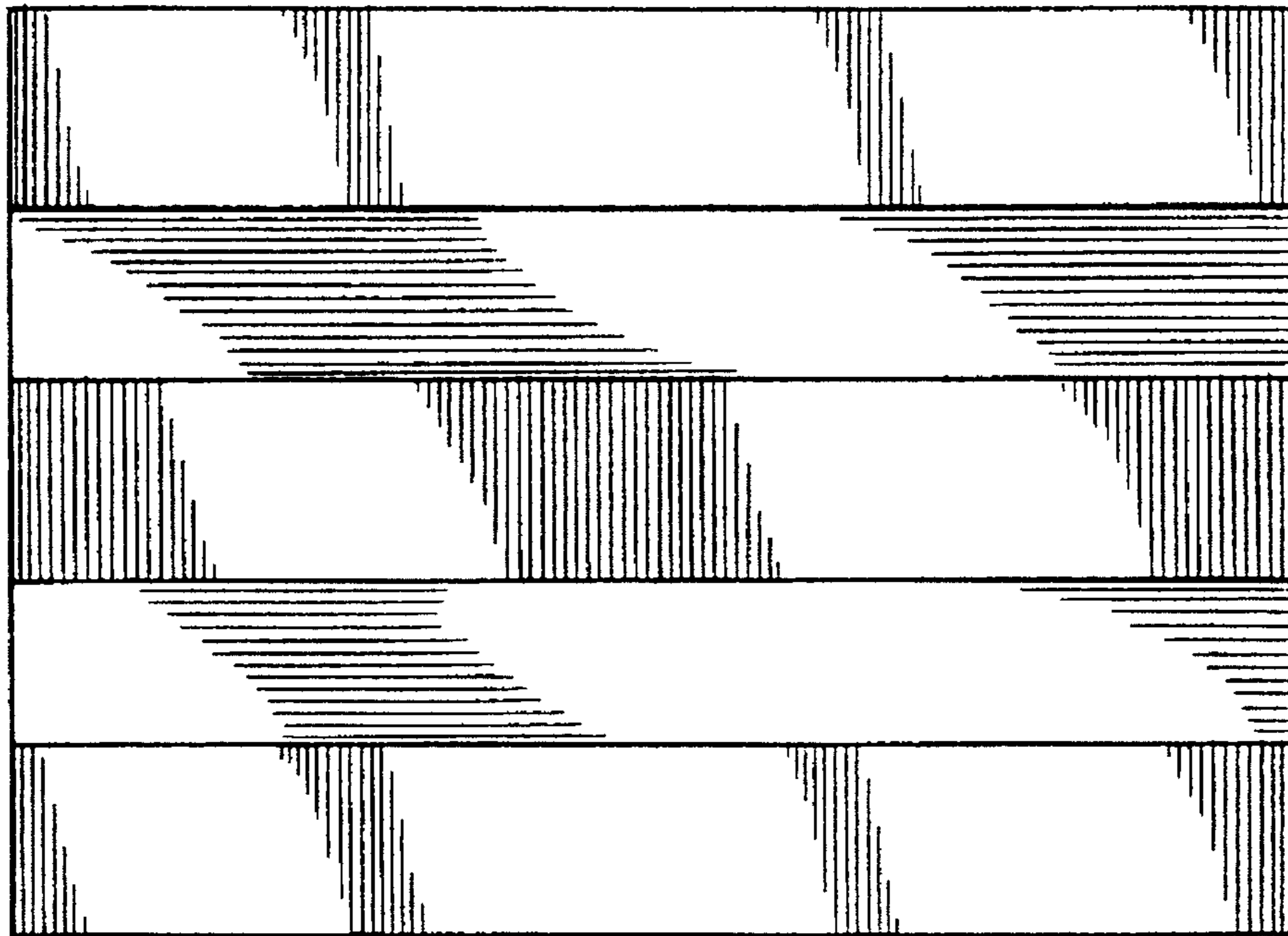


FIG. 5.

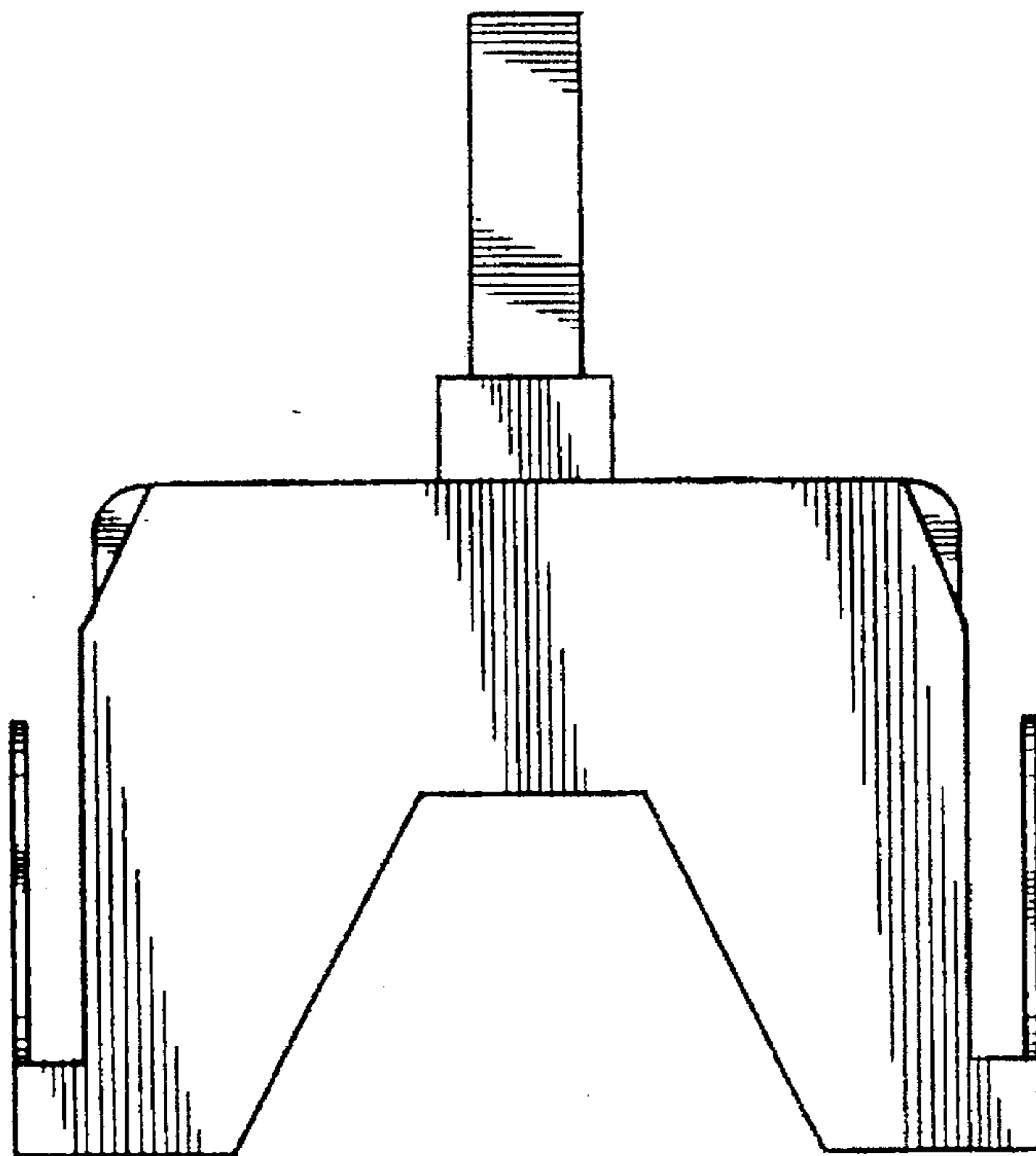


FIG. 3.

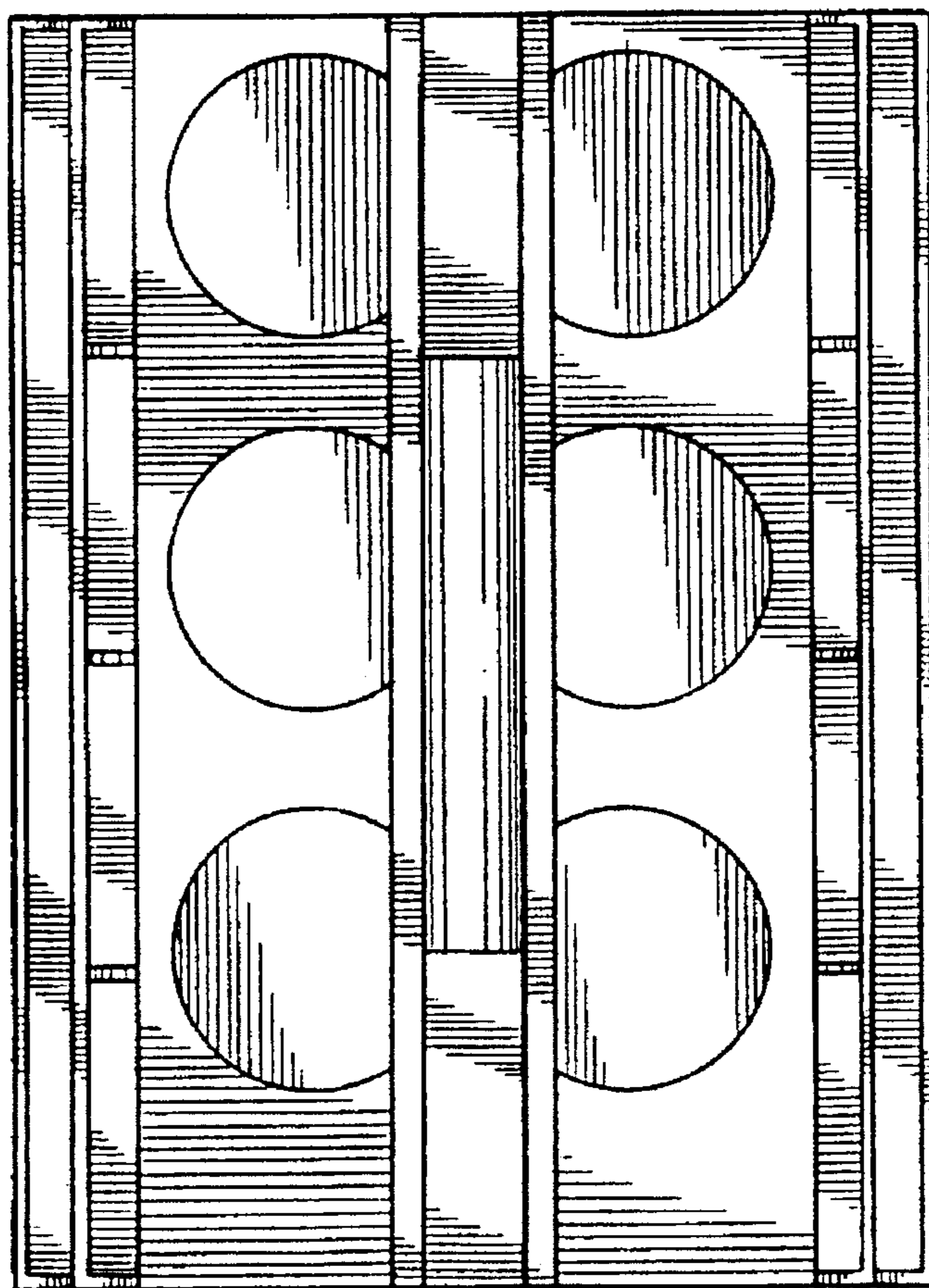


FIG. 4.