



US00D382709S

United States Patent [19] Cuneo

[11] Patent Number: **Des. 382,709**

[45] Date of Patent: ****Aug. 26, 1997**

[54] **CONTAINER FOR HYDROCLEANER UNITS**

[75] Inventor: **Carlo Alberto Cuneo**, Crema, Italy

[73] Assignee: **FAIP S.r.l. Officine Meccaniche**,
Vaiano Cremasco, Italy

[**] Term: **14 Years**

[21] Appl. No.: **44,471**

[22] Filed: **Sep. 25, 1995**

[30] **Foreign Application Priority Data**

May 3, 1995 [IT] Italy MO950 0248

[51] LOC (6) CL. **03-01**

[52] U.S. Cl. **D3/282; D3/905**

[58] **Field of Search** D3/272, 273, 276,
D3/281, 282, 294, 292, 905; 190/100, 111,
113, 115, 119, 121; 206/349, 315.1, 372,
373, 379

[56] **References Cited**

U.S. PATENT DOCUMENTS

D. 260,454 9/1981 Pepicelli, Jr. et al. D3/282
D. 269,648 7/1983 Wilcox et al. D3/282

D. 294,775 3/1988 Rechberg D3/282
D. 323,742 2/1992 Breen D3/282
D. 343,063 1/1994 Chen D3/282
D. 351,504 10/1994 Tarozzi D3/282
D. 351,727 10/1994 Tarozzi D3/282
D. 360,757 8/1995 Snetting et al. D3/282
4,340,139 7/1982 Wilcox et al. 206/349
5,394,966 3/1995 Chow 190/119

Primary Examiner—Philip S. Hyder
Attorney, Agent, or Firm—Bucknam and Arche

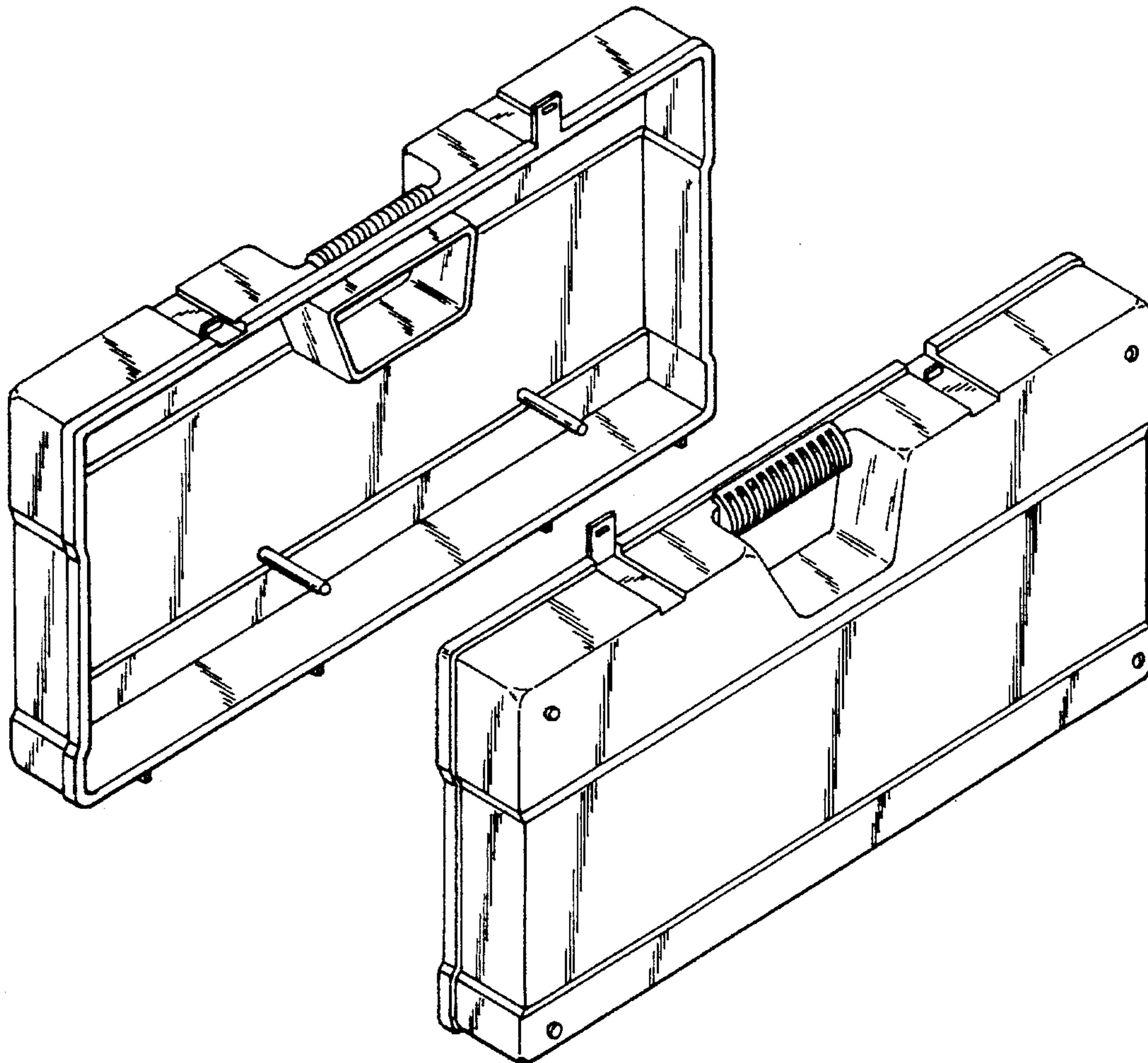
[57] **CLAIM**

The ornamental design for a container for hydrocleaner units, as shown and described.

DESCRIPTION

FIG. 1 is an exploded perspective view of a container for hydrocleaner units showing my new design;
FIG. 2 is a top plan view of the container for hydrocleaner units, shown in an assembled state;
FIG. 3 is a bottom plan view thereof, shown in an assembled state;
FIG. 4 is a side elevational view thereof; shown in an assembled state; and,
FIG. 5 is a front elevational view of the container of FIG. 1.

1 Claim, 5 Drawing Sheets



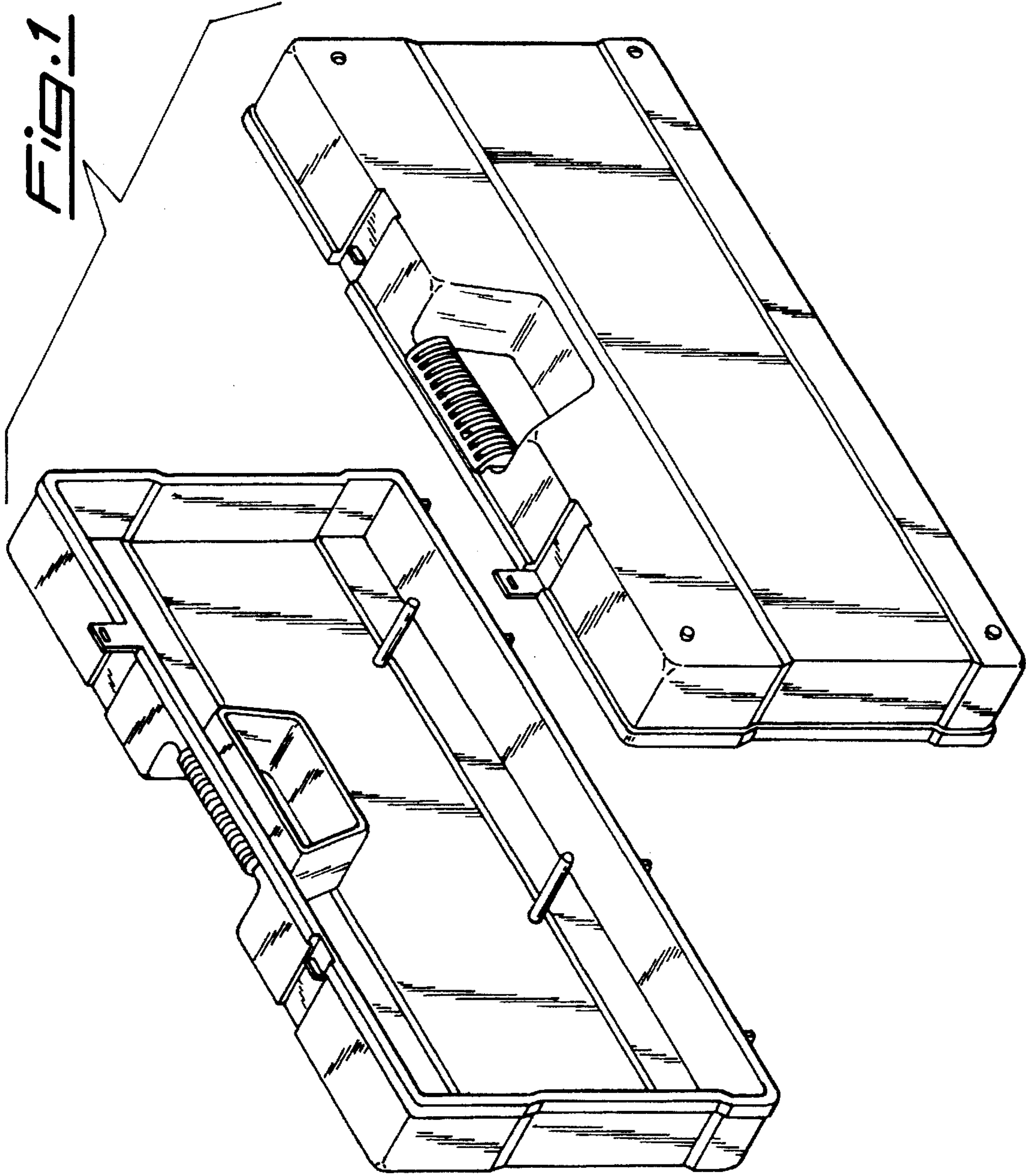


FIG. 2

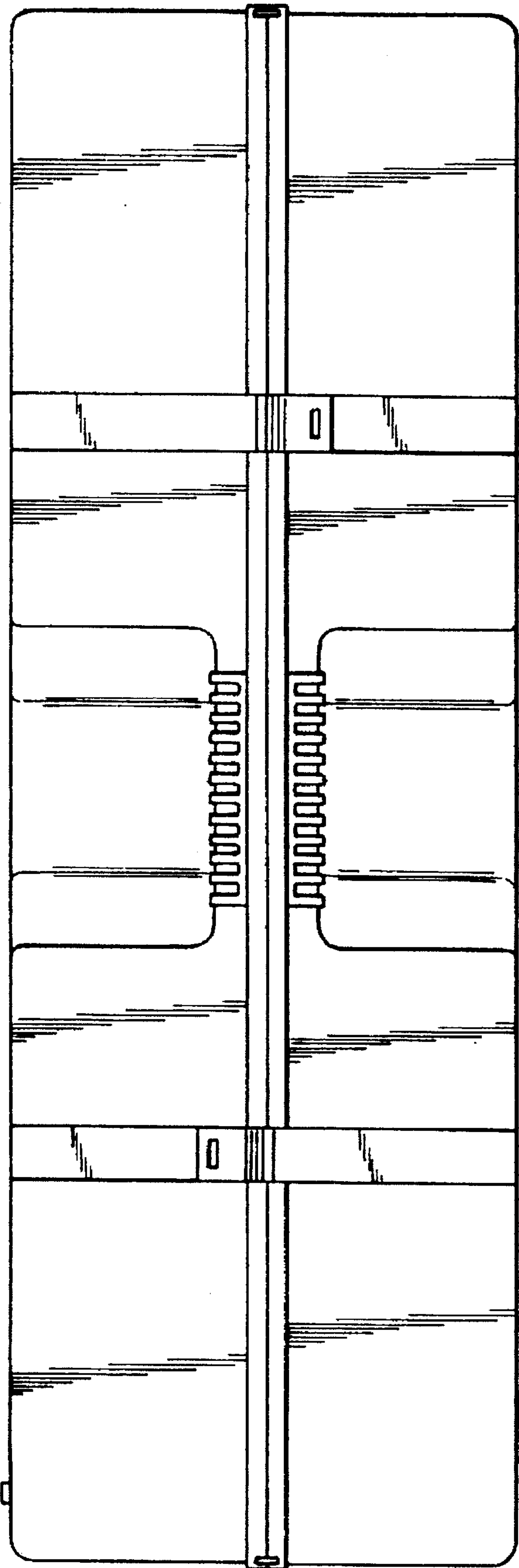


Fig. 3

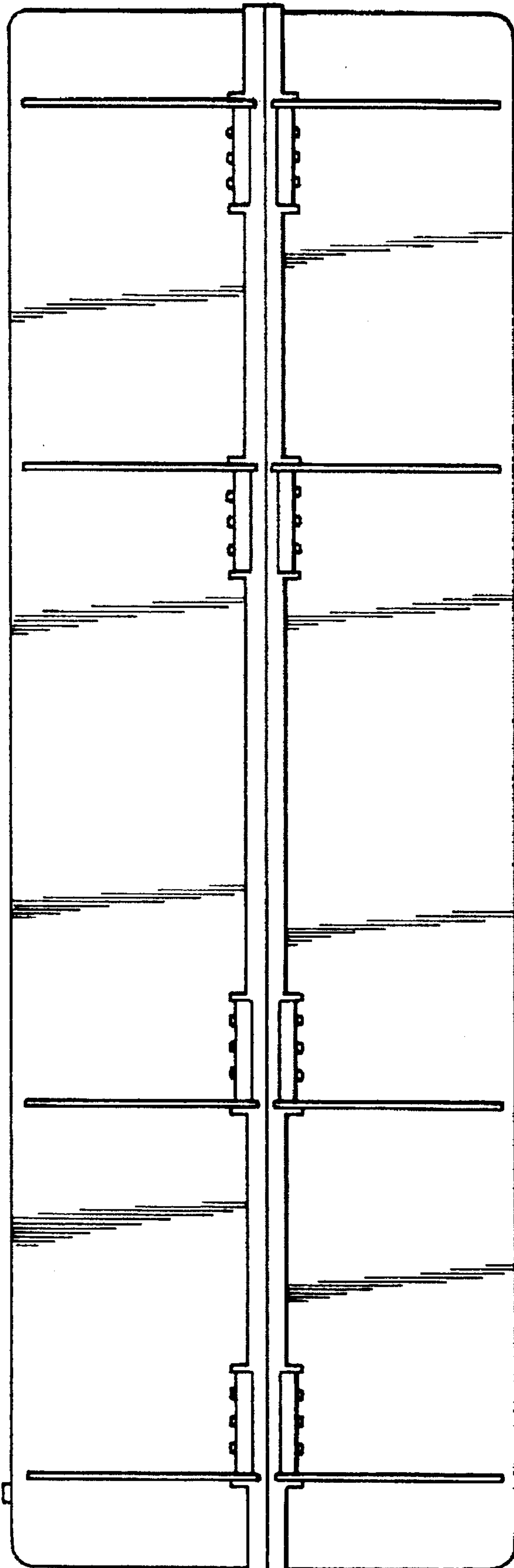


Fig. 4

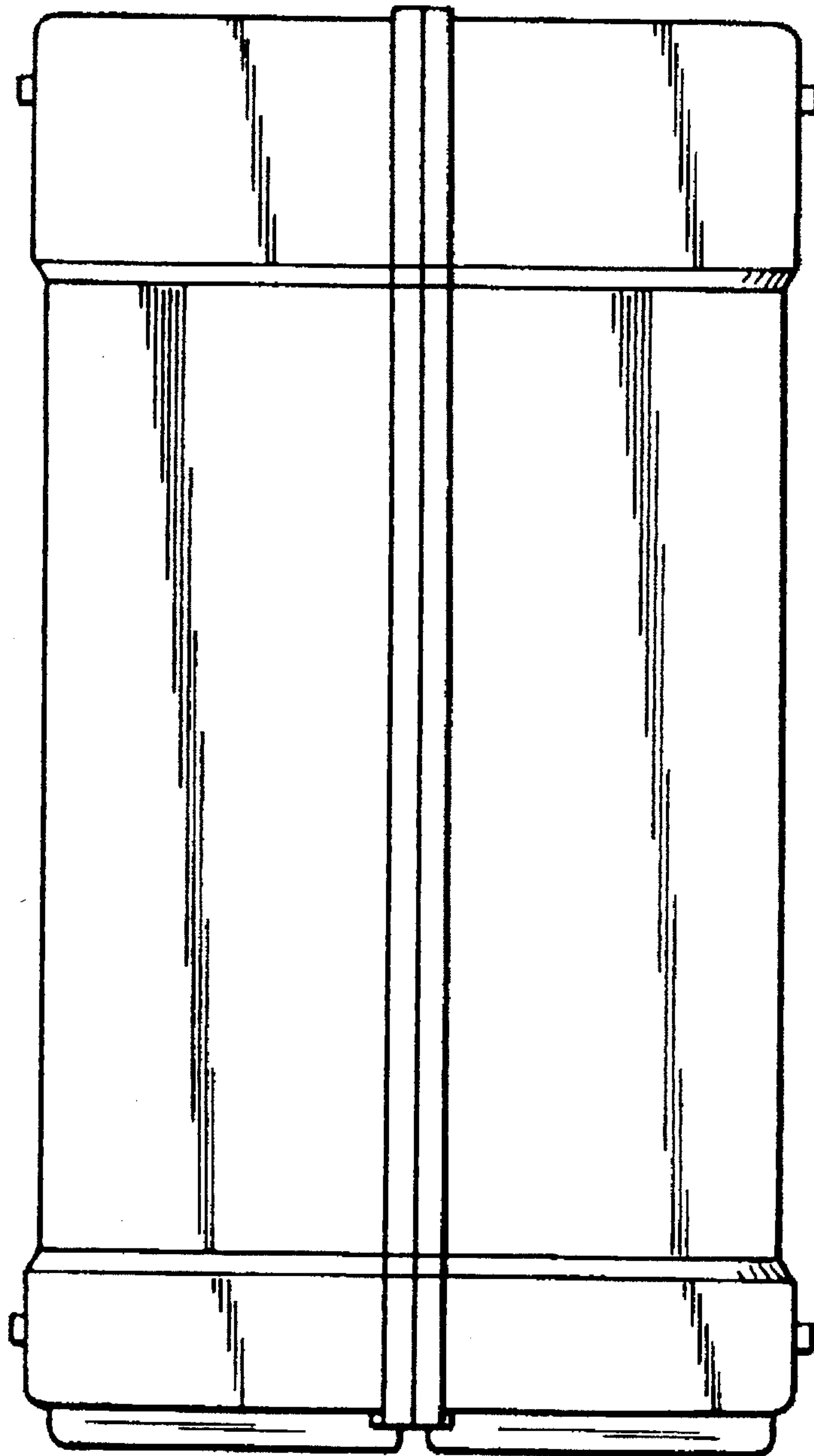


FIG. 5

