



US00D382708S

# United States Patent [19] Canning

[11] Patent Number: **Des. 382,708**  
[45] Date of Patent: **\*\*Aug. 26, 1997**

[54] **SKI GOGGLES CASE**  
[76] Inventor: **Jeffrey E. Canning**, 443 Range Rd.,  
Cumberland, Me. 04021  
[\*\*] Term: **14 Years**  
[21] Appl. No.: **56,116**  
[22] Filed: **Jun. 24, 1996**  
[51] LOC (6) Cl. .... **03-99**  
[52] U.S. Cl. .... **D3/265; D3/263**  
[58] Field of Search ..... **D3/263, 219, 201,**  
**D3/264, 265, 266; 206/5, 5.1, 6; 248/902**

4,000,810 1/1977 Leblanc ..... 206/5  
4,865,186 9/1989 Gates ..... 206/5  
4,899,873 2/1990 Bollé et al. .... 206/5

*Primary Examiner*—Celia Murphy  
*Attorney, Agent, or Firm*—Frederick R. Cantor, ESQ.

### [57] CLAIM

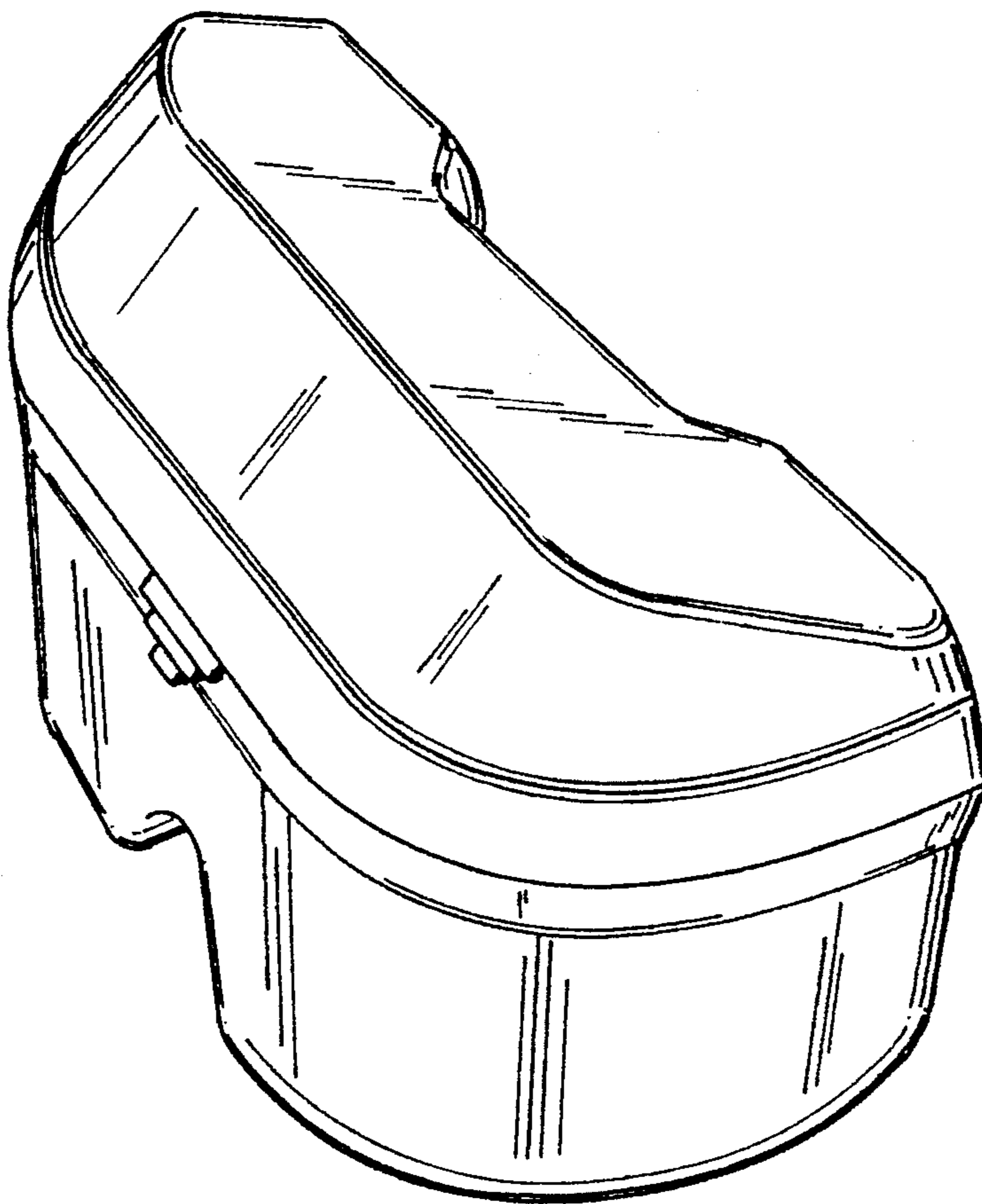
The ornamental design for a ski goggles case, as shown and described.

### DESCRIPTION

FIG. 1 is a perspective view of a ski goggles case showing my new design;  
FIG. 2 is a right side elevational view thereof, the left side being a mirror image;  
FIG. 3 is a front elevational view thereof;  
FIG. 4 is a rear elevational view thereof;  
FIG. 5 is a top plan view thereof; and,  
FIG. 6 is a top view, of the ski goggles case.

[56] **References Cited**  
**U.S. PATENT DOCUMENTS**  
D. 186,135 9/1959 Watkins ..... D3/265  
D. 333,037 2/1993 Dweck et al. .... D3/265  
D. 341,482 11/1993 McMillan ..... D3/265  
D. 348,980 7/1994 Mathews ..... D3/265  
3,825,110 7/1974 Halbich et al. .... 206/6

**1 Claim, 1 Drawing Sheet**



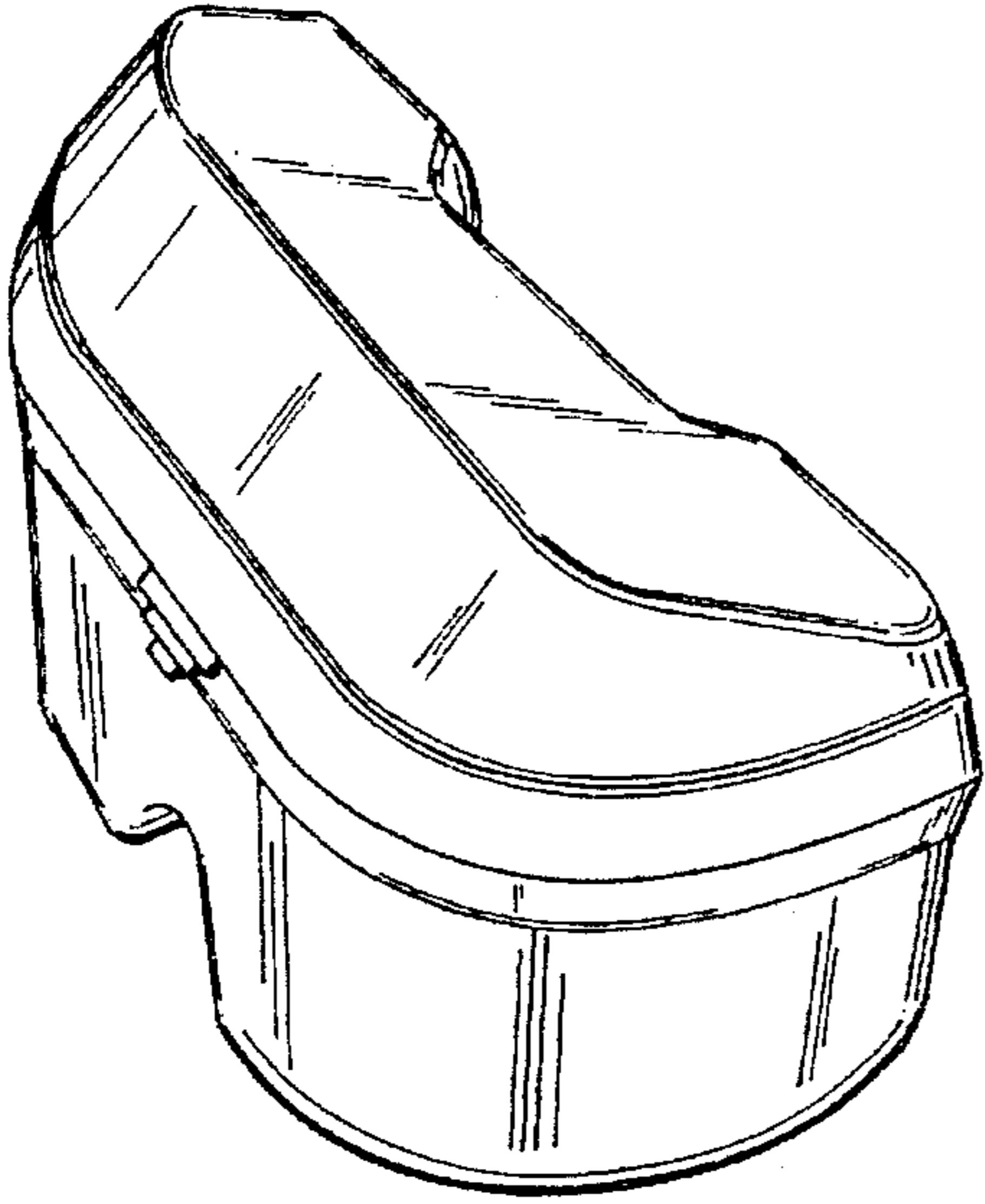


FIG. 1

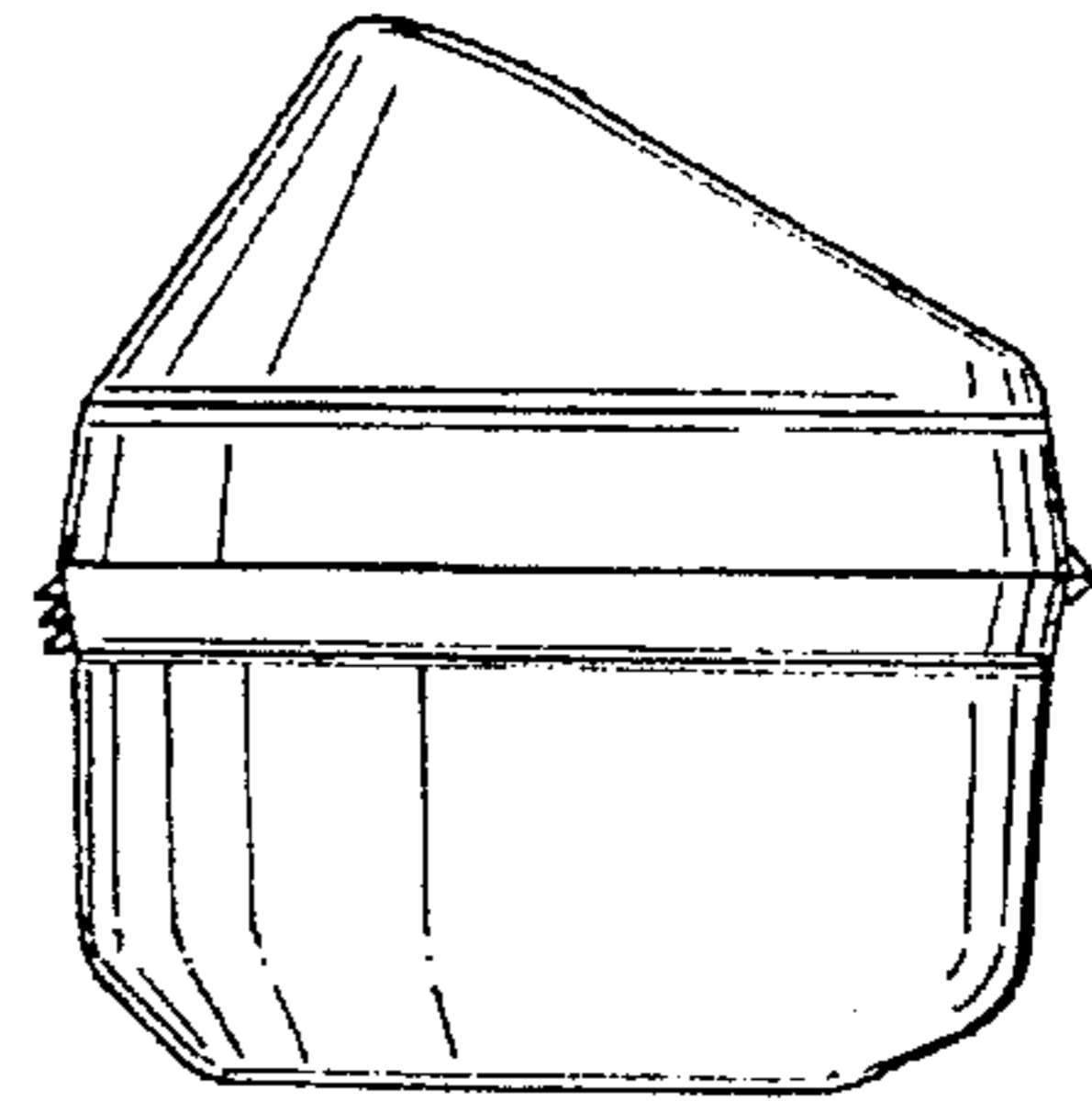


FIG. 2

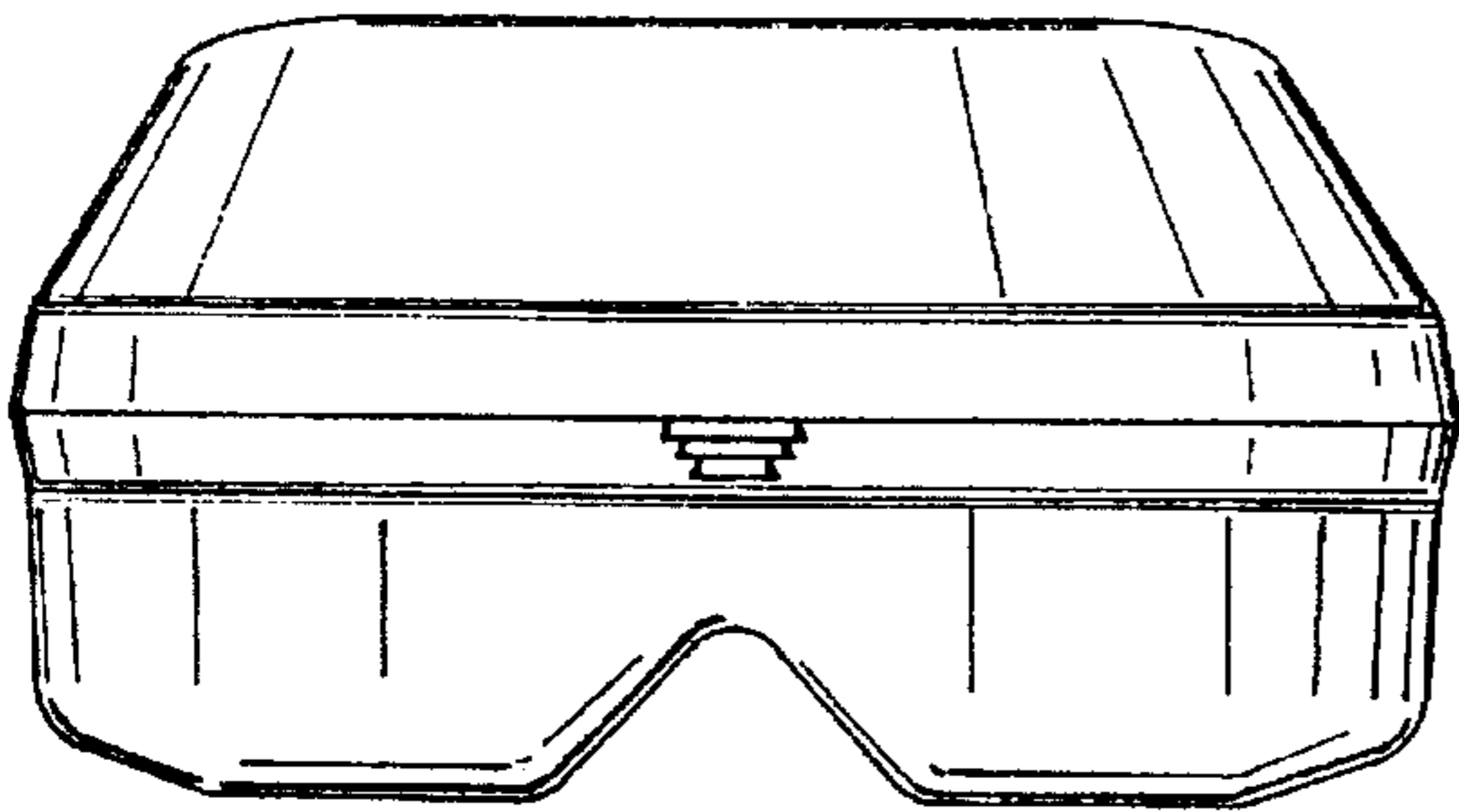


FIG. 3

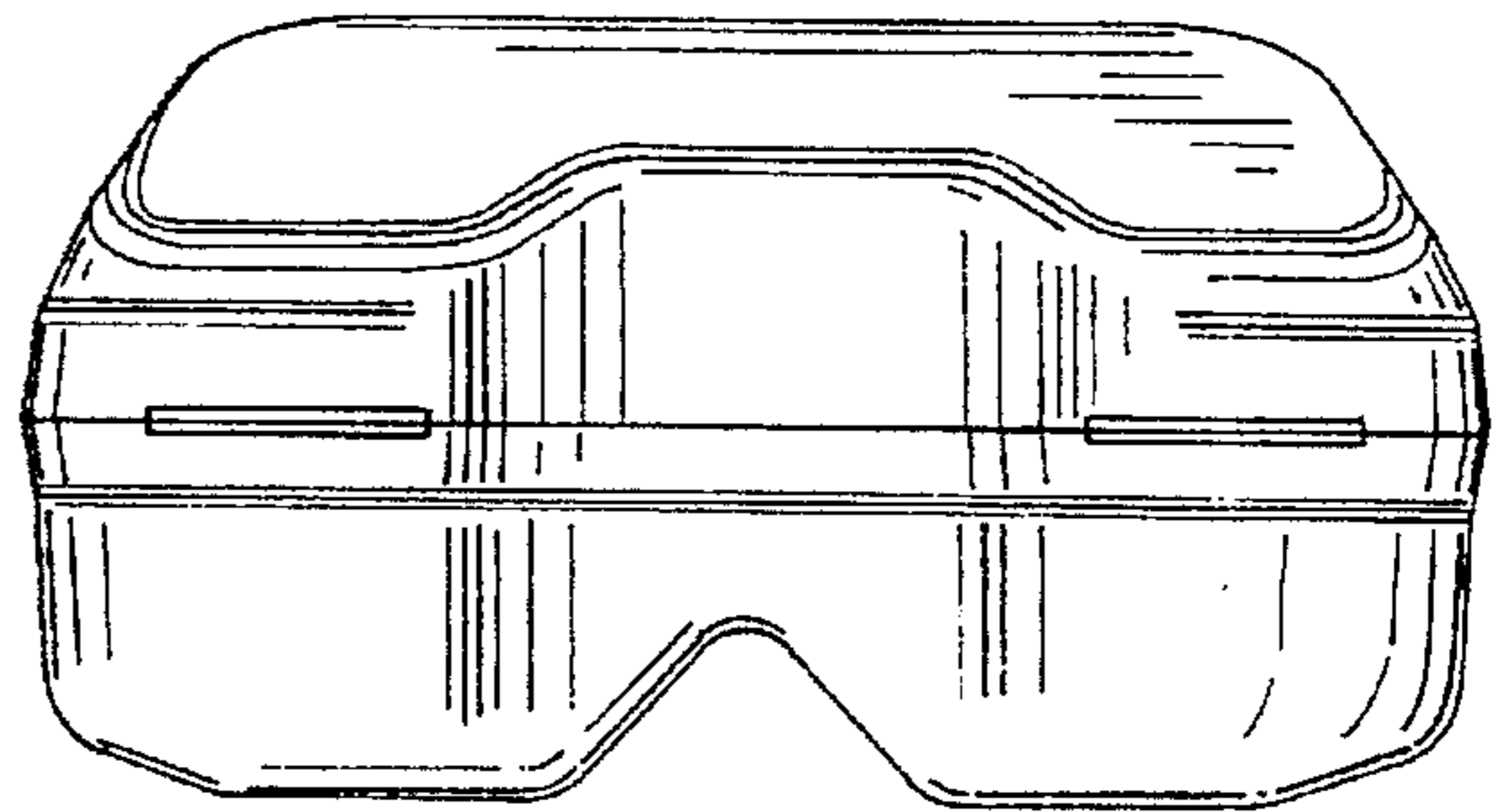


FIG. 4

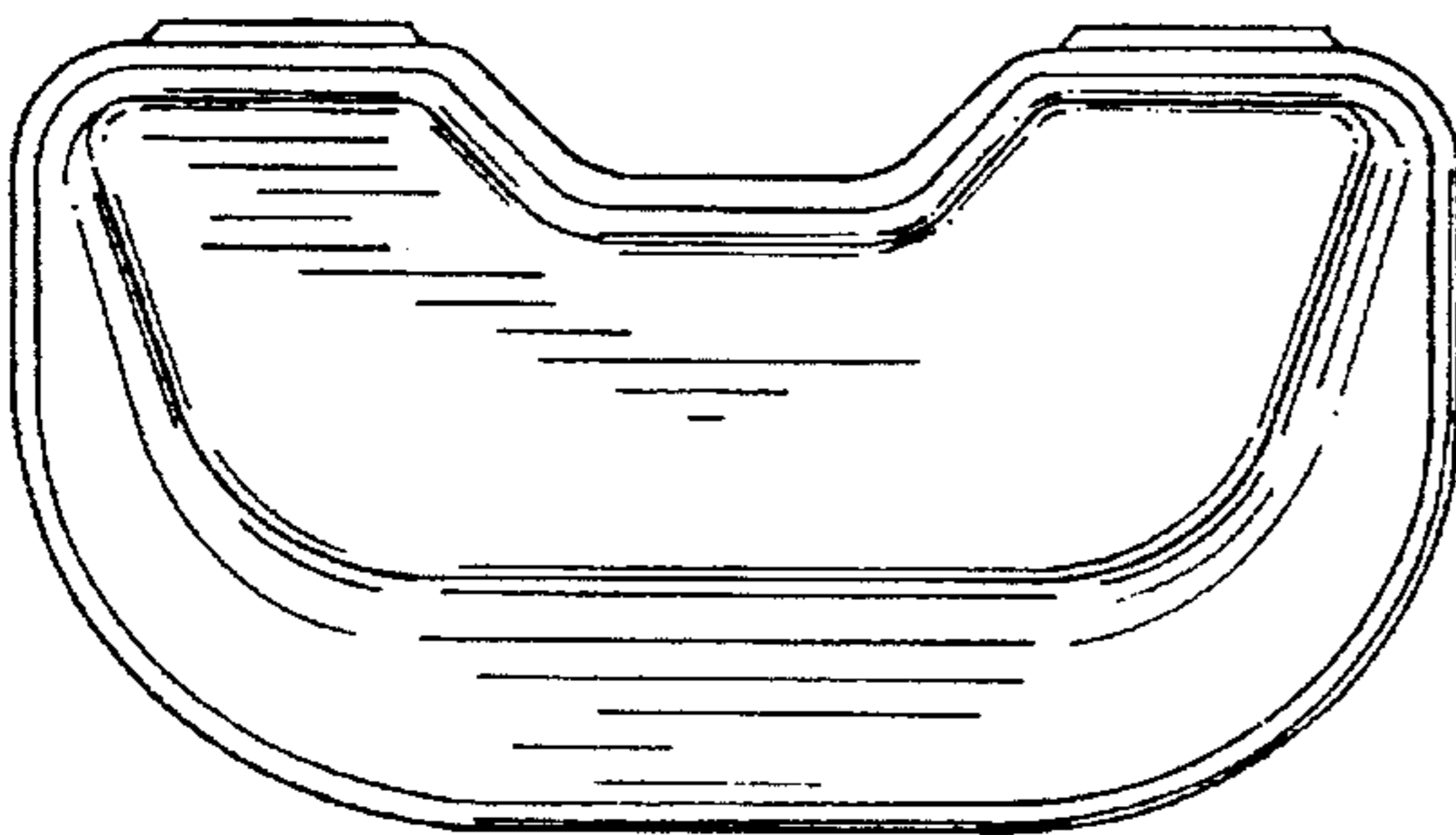


FIG. 5

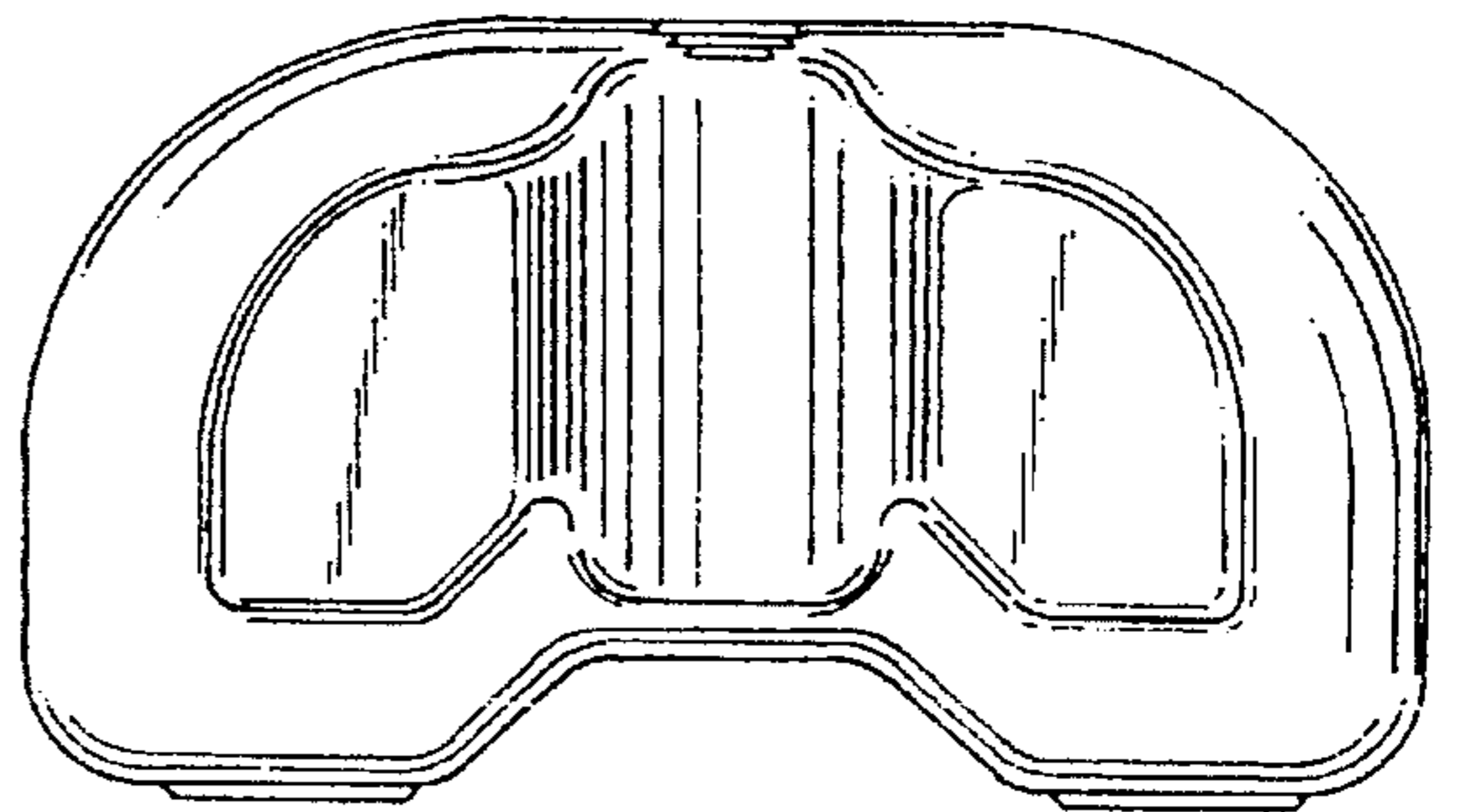


FIG. 6