



US00D382707S

# United States Patent [19] Wang

[11] Patent Number: **Des. 382,707**  
[45] Date of Patent: **\*\*Aug. 26, 1997**

## [54] GOLF BAG WITH PARTITIONS FOR CLUBS

[76] Inventor: **Jessie Li-Kuo Wang**, 46980 Ocotillo Ct., Fremont, Calif. 94539

[\*\*] Term: **14 Years**

[21] Appl. No.: **43,125**

[22] Filed: **Aug. 25, 1995**

[51] LOC (6) Cl. .... **03-01**

[52] U.S. Cl. .... **D3/255**

[58] Field of Search ..... D3/254, 255, 320;  
206/315.1, 315.2, 315.3, 315.4, 315.5, 315.6,  
315.7, 315.8, 315.9

### [56] References Cited

#### U.S. PATENT DOCUMENTS

4,266,589	5/1981	Cochran	206/315.3
4,311,178	1/1982	Kennedy	206/315.6
4,844,253	7/1989	Reimers	206/315.6
5,358,109	10/1994	Nichols	206/315.3

## OTHER PUBLICATIONS

Austad's 1993 Christmas Catalog.

*Primary Examiner*—Louis S. Zarfes

*Assistant Examiner*—Catherine R. Oliver

*Attorney, Agent, or Firm*—Linval B. Castle

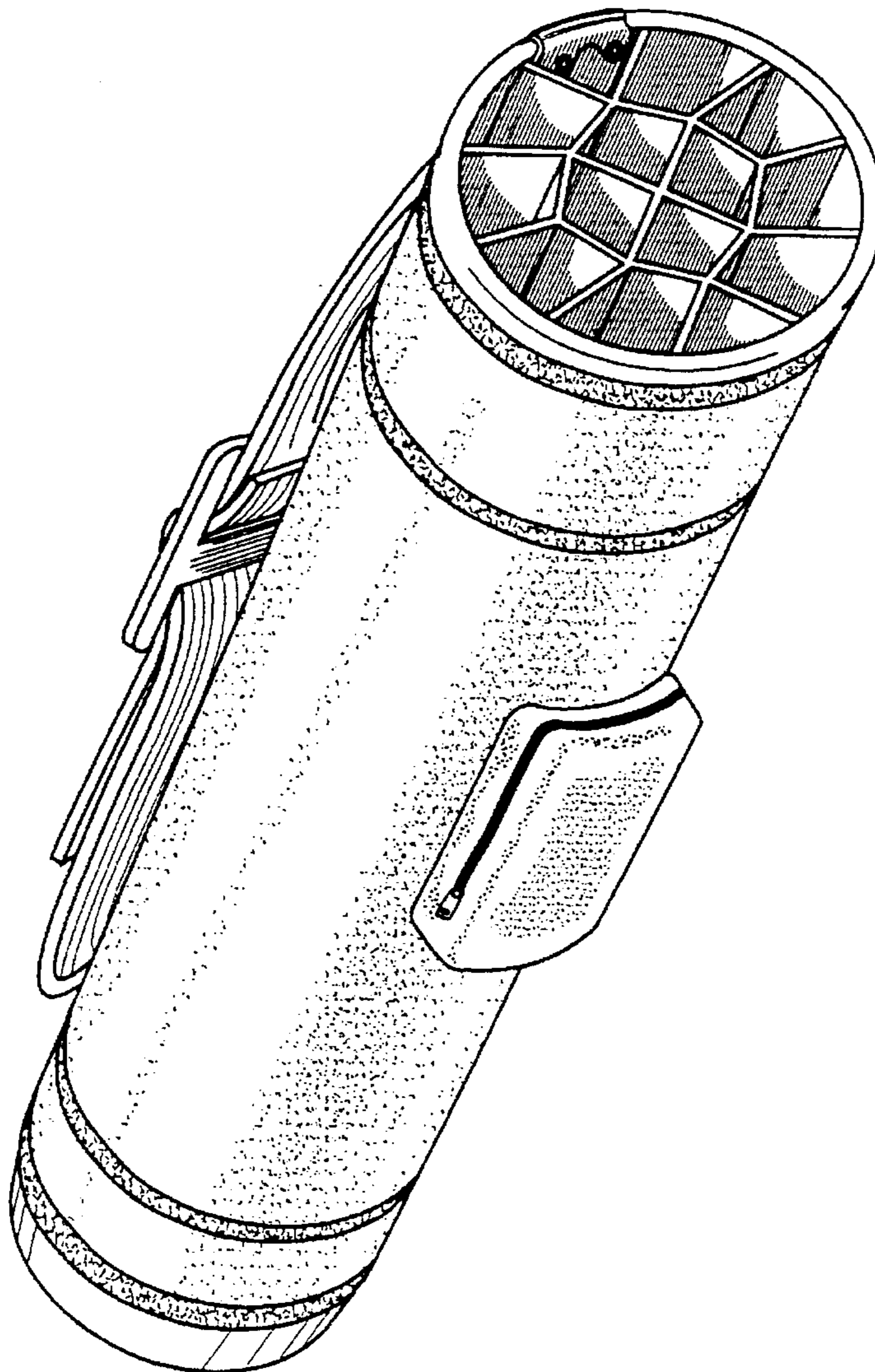
## [57] CLAIM

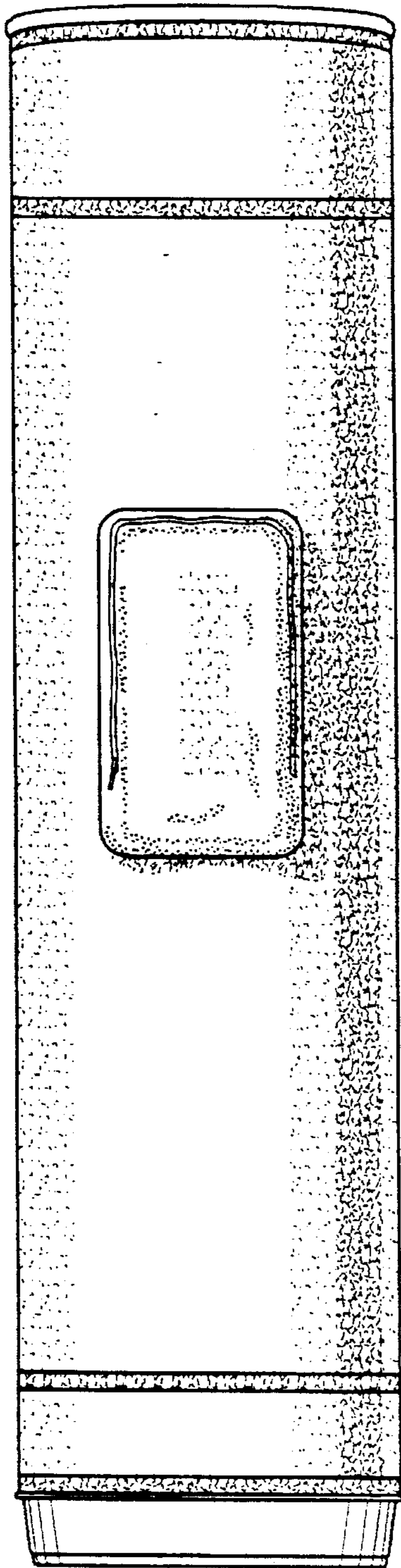
The ornamental design for a golf bag with partitions for clubs, as shown and described.

## DESCRIPTION

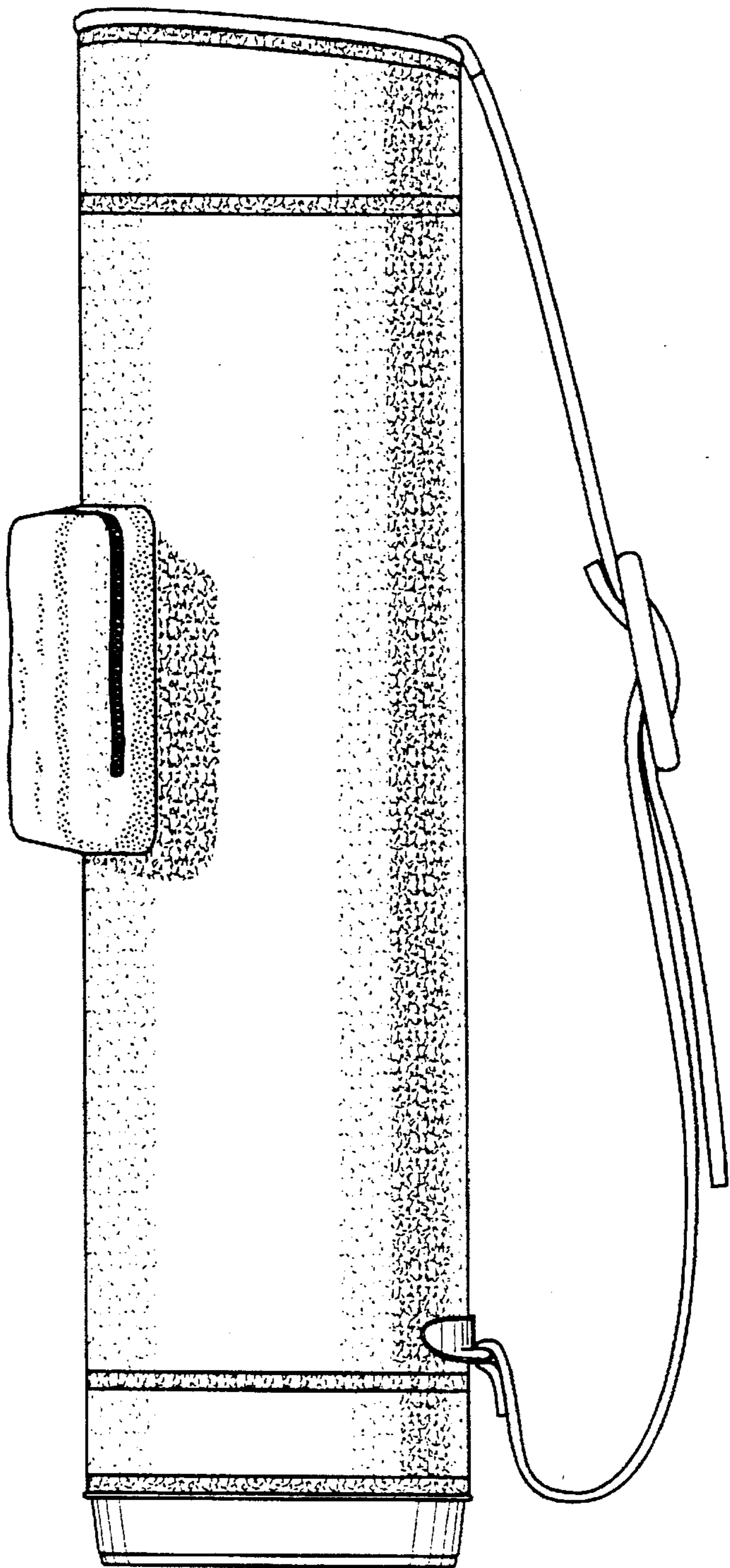
FIG. 1 is a front elevational view of a golf bag with partitions for clubs showing my new design;  
FIG. 2 is a side elevational view thereof, the opposite side being a mirror image thereof;  
FIG. 3 is a rear elevational view thereof;  
FIG. 4 is a bottom plan view thereof;  
FIG. 5 is a top plan view thereof showing my golf club partition design; and,  
FIG. 6 is a perspective view thereof.

**1 Claim, 3 Drawing Sheets**

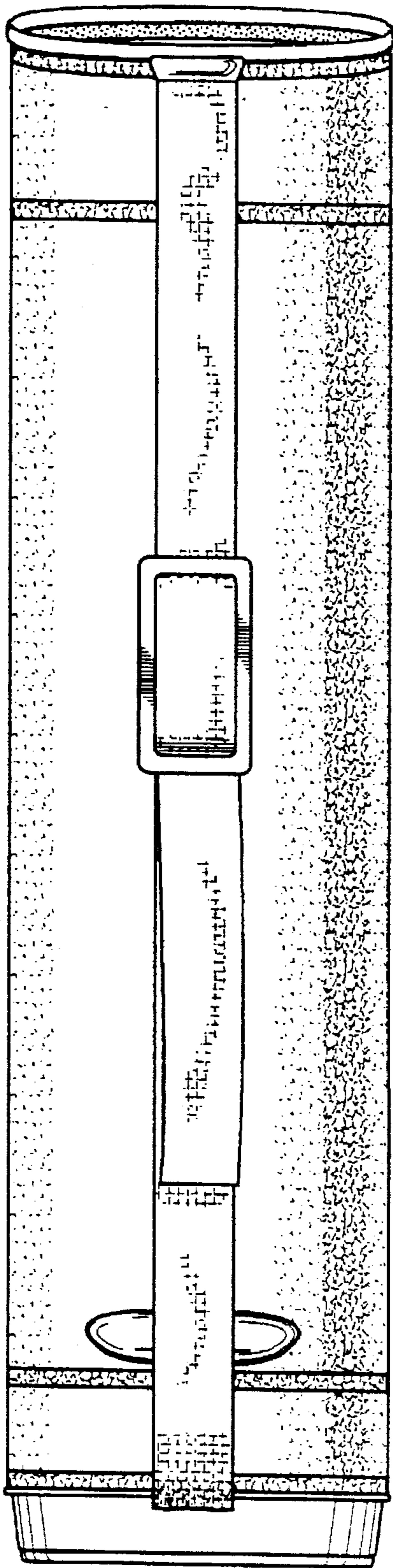




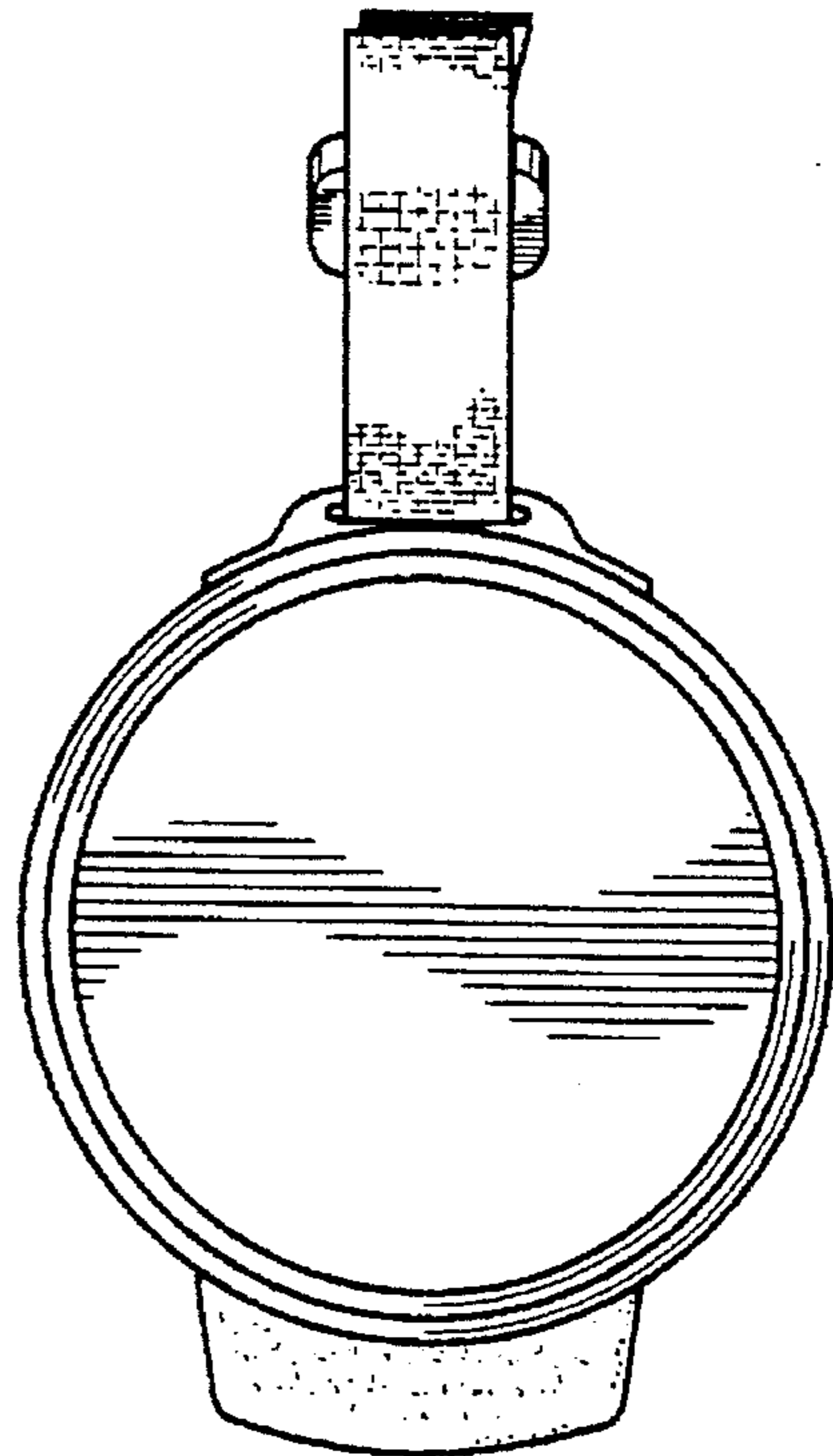
*Fig. 1*



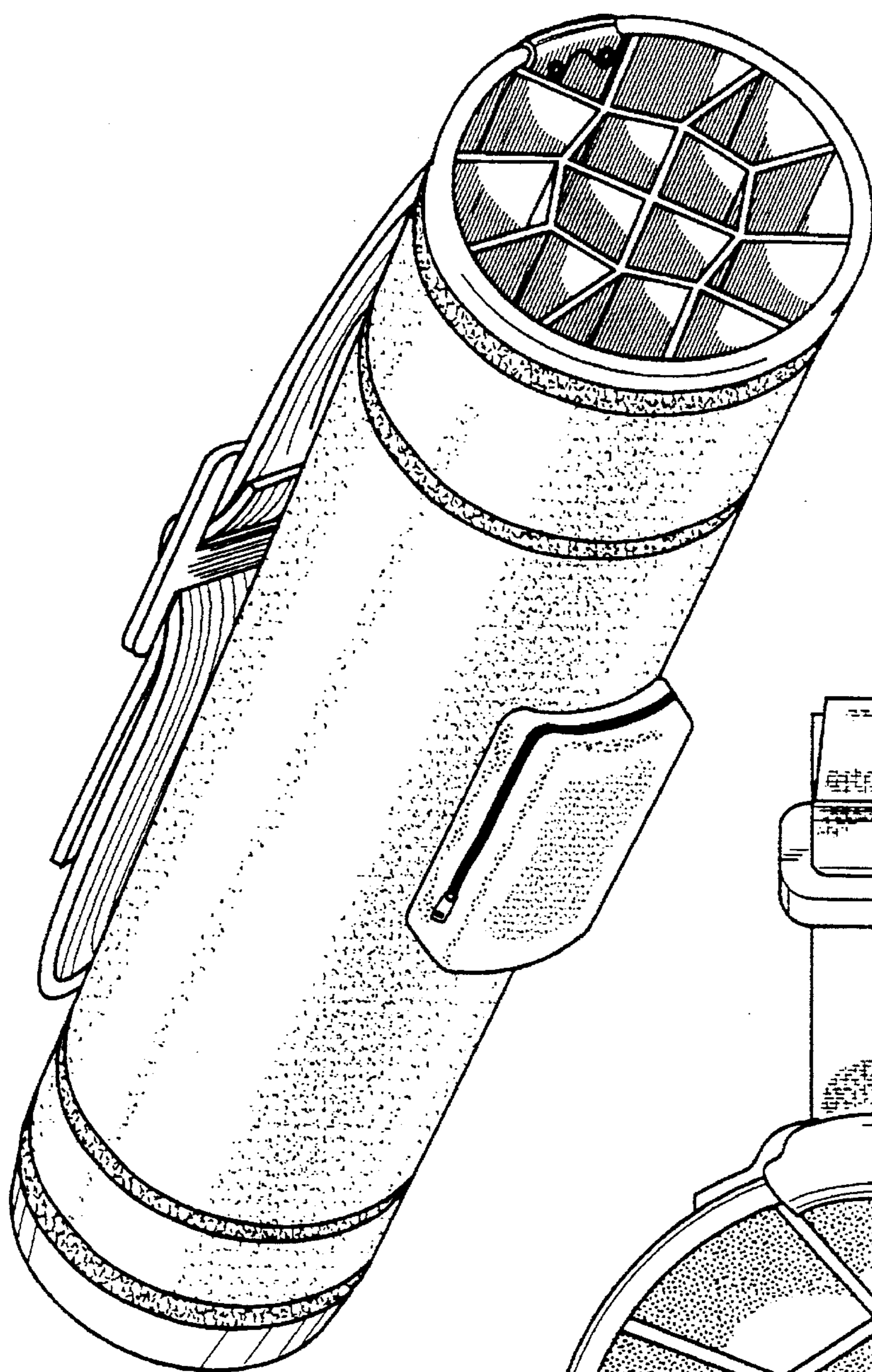
*Fig. 2*



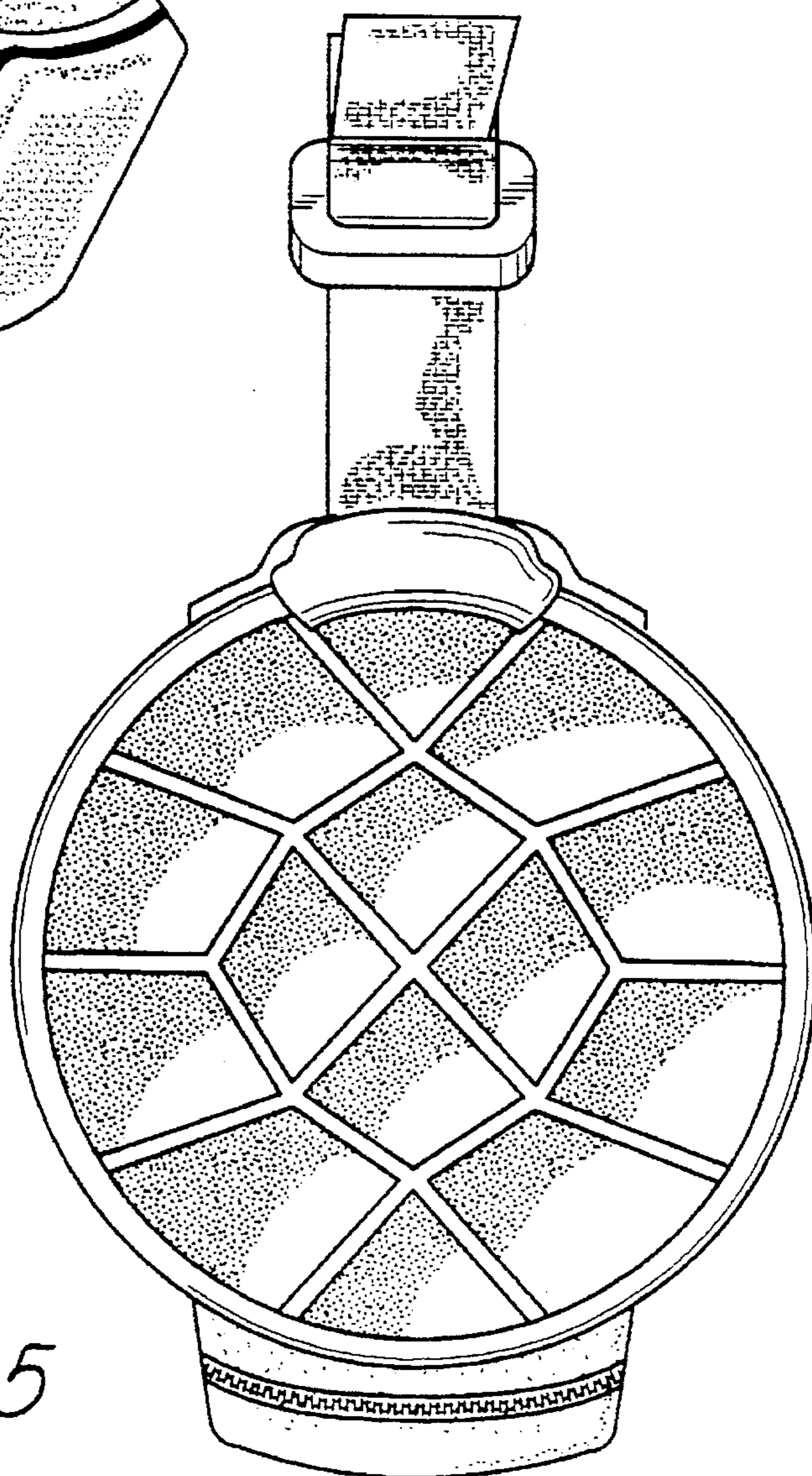
*Fig. 3*



*Fig. 4*



*Fig. 6*



*Fig. 5*