



US00D382705S

United States Patent [19]
Tatsumi

[11] **Patent Number: Des. 382,705**

[45] **Date of Patent: **Aug. 26, 1997**

[54] **CASE FOR A PORTABLE COMMUNICATION RECEIVER**

[75] Inventor: **Yoshikazu Tatsumi**, Roselle, Ill.

[73] Assignee: **Panasonic Technologies, Inc.**,
Princeton, N.J.

[**] Term: **14 Years**

[21] Appl. No.: **38,752**

[22] Filed: **Mar. 30, 1995**

[51] **LOC (6) Cl.** **03-01**

[52] **U.S. Cl.** **D3/218**

[58] **Field of Search** D3/218, 215, 223,
D3/222, 224, 226, 230, 243; 224/191, 202,
206, 226, 257, 205, 260, 264, 192, 193,
911, 214, 215, 236, 243, 151

[56] **References Cited**

U.S. PATENT DOCUMENTS

3,648,906	3/1972	Ross	224/206
3,739,961	6/1973	Soukeras	224/151
3,797,715	3/1974	Scialdone	224/206
5,358,159	10/1994	Lundie, Jr.	224/206

Primary Examiner—Doris V. Coles

Assistant Examiner—Catherine R. Oliver

Attorney, Agent, or Firm—McDermott, Will & Emery

[57] **CLAIM**

The ornamental design for a case for a portable communication receiver, as shown.

DESCRIPTION

FIG. 1 is a perspective view showing my design of a case for a portable communication receiver;

FIG. 2 is a front elevation view thereof;

FIG. 3 is a front elevation view thereof with a pair of bottom flaps opened;

FIG. 4 is a rear elevation view thereof;

FIG. 5 is a rear elevation view thereof with a pair of bottom flaps open;

FIG. 6 is a top view thereof;

FIG. 7 is a bottom view thereof;

FIG. 8 is a bottom view thereof with a pair of bottom flaps open and a pair of inside flaps closed;

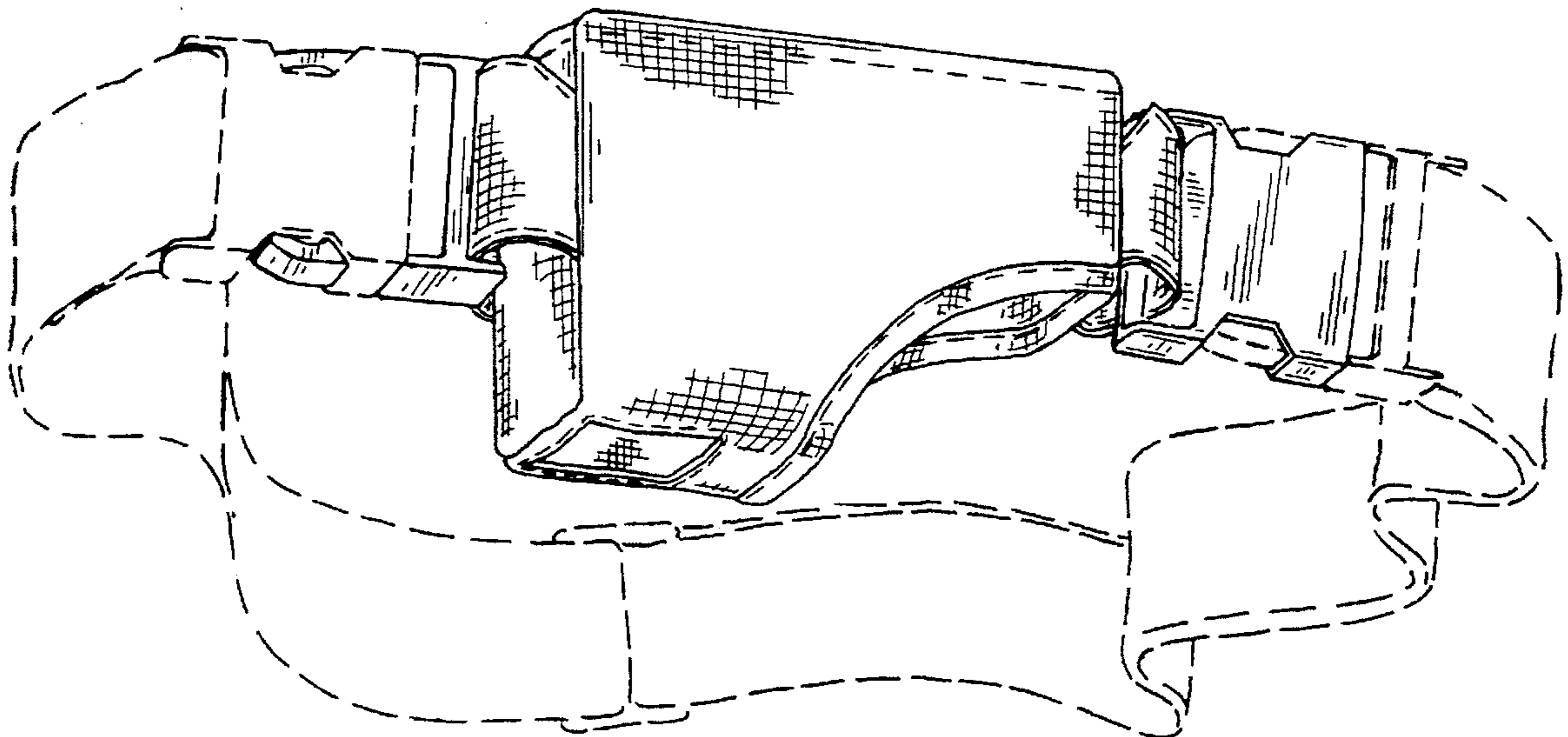
FIG. 9 is a bottom view thereof with a pair of bottom flaps opened and a pair of inside flaps opened;

FIG. 10 is a left end view thereof;

FIG. 11 is a right end view thereof; and,

FIG. 12 is a perspective view of a case for a portable communication receiver, the belt shown in broken lines being for illustrative purposes only and forming no part of the claimed design.

1 Claim, 7 Drawing Sheets



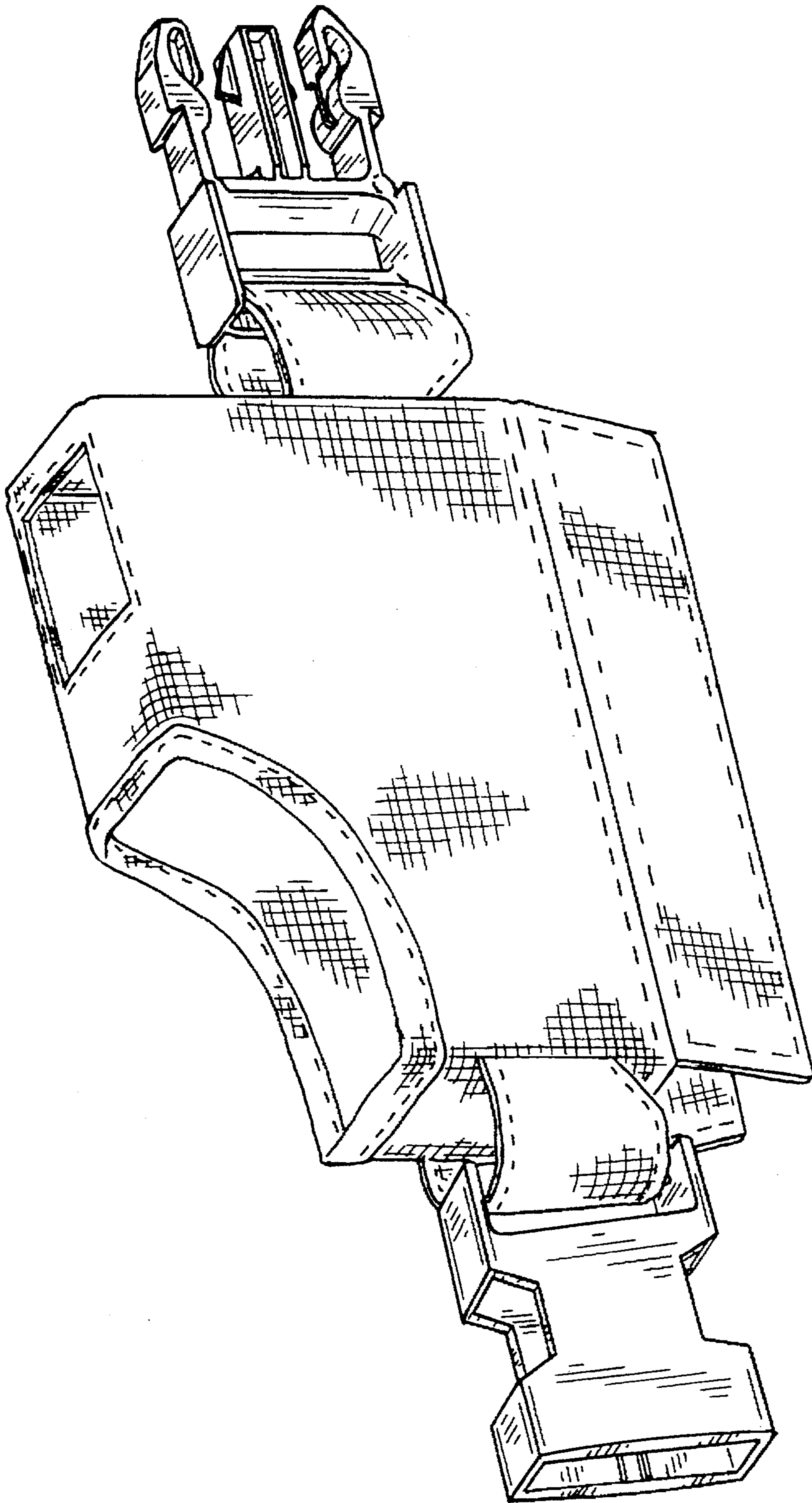


FIG. 1

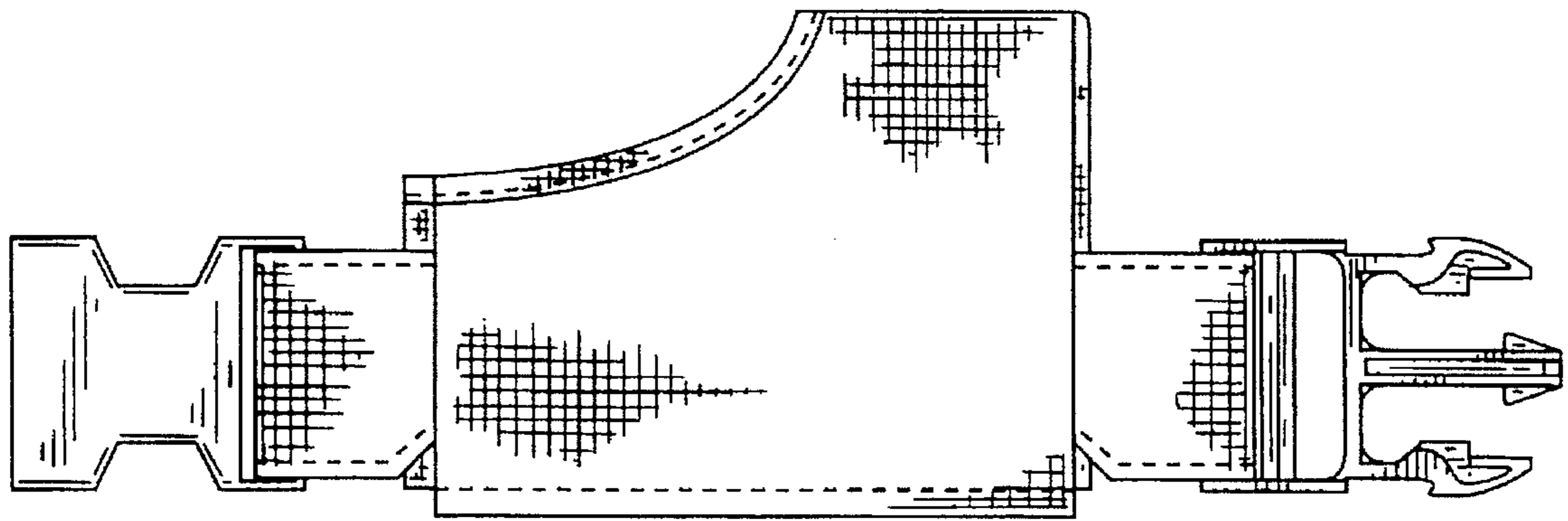


FIG. 2

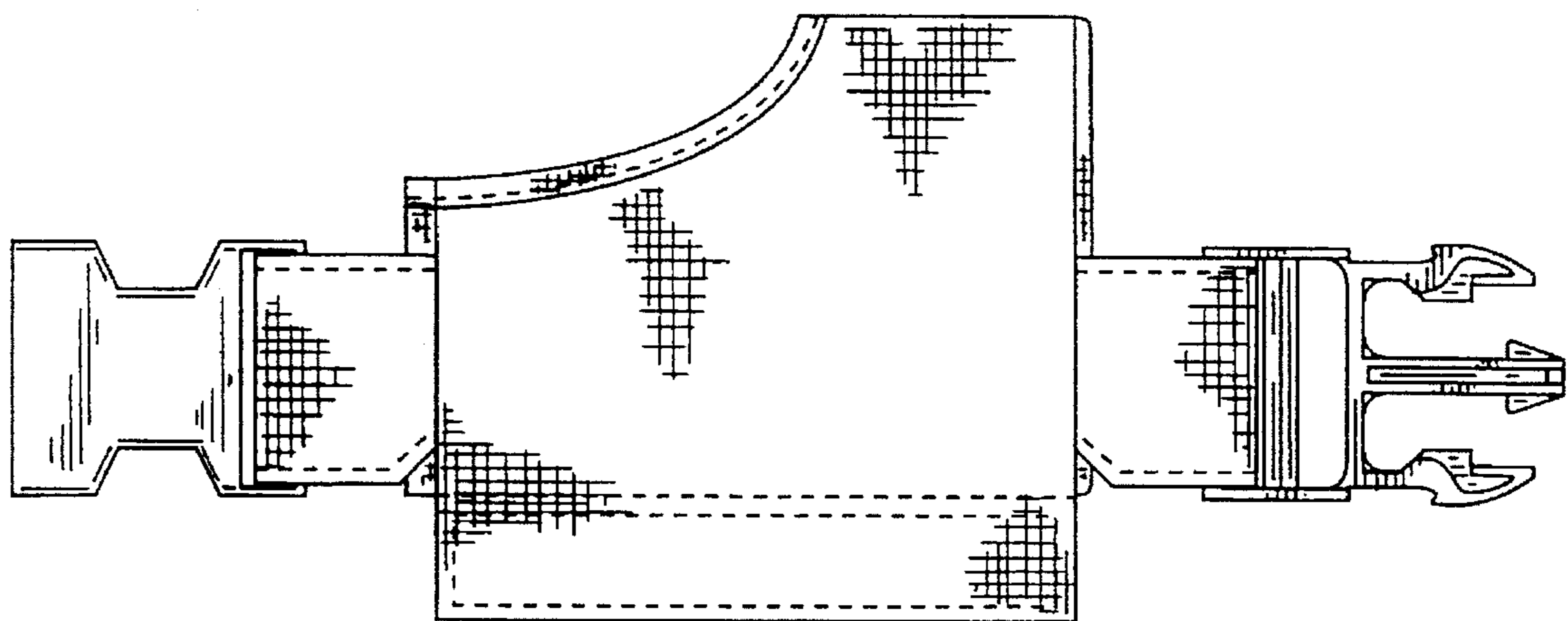


FIG. 3

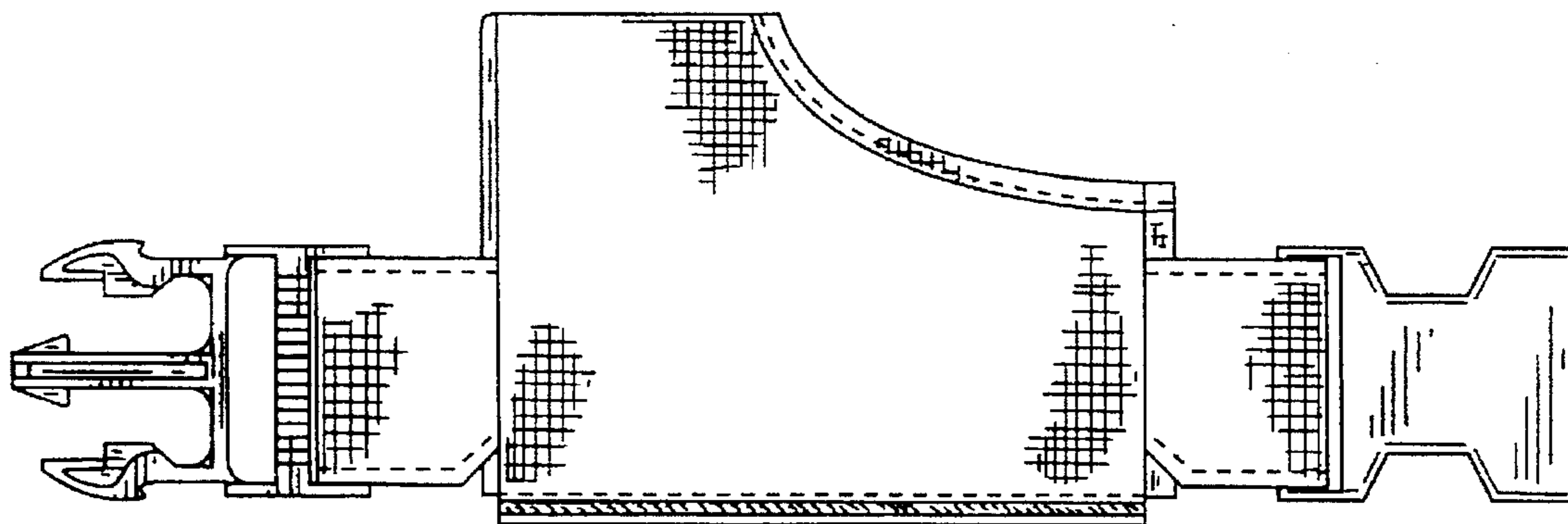


FIG. 4

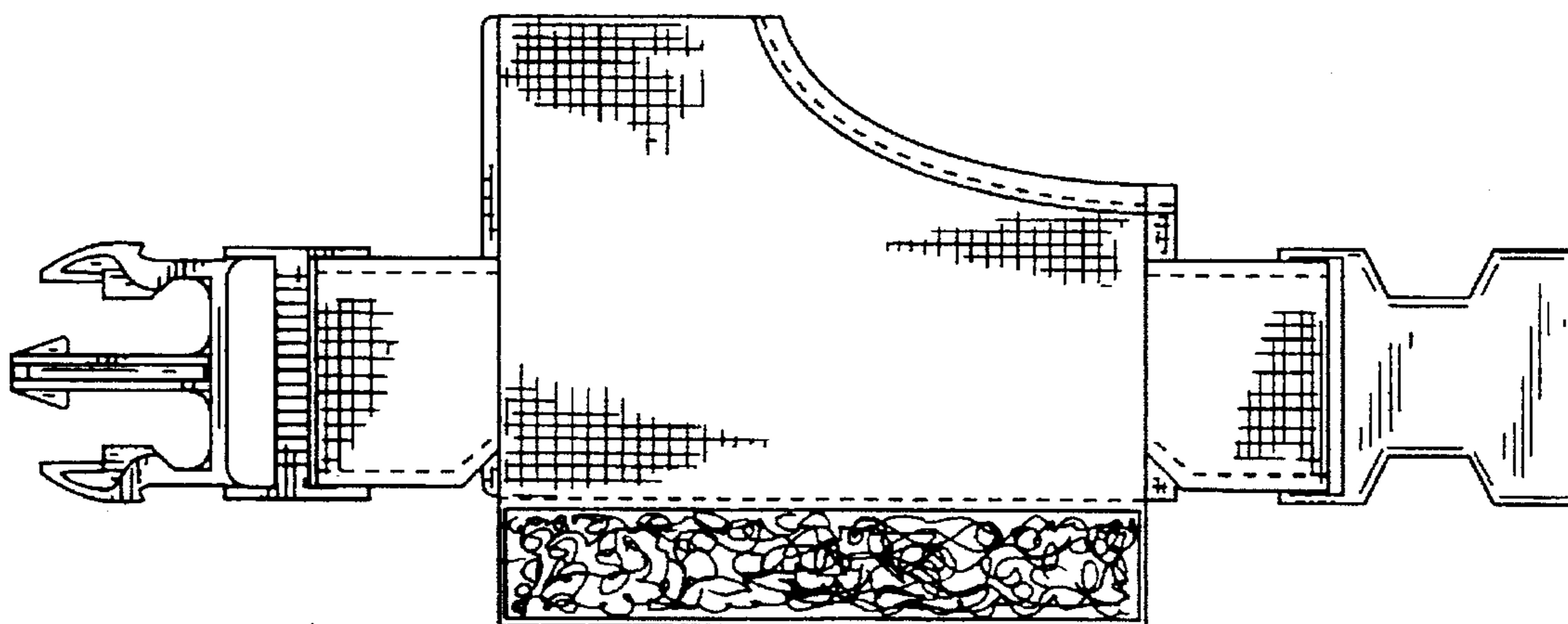


FIG. 5

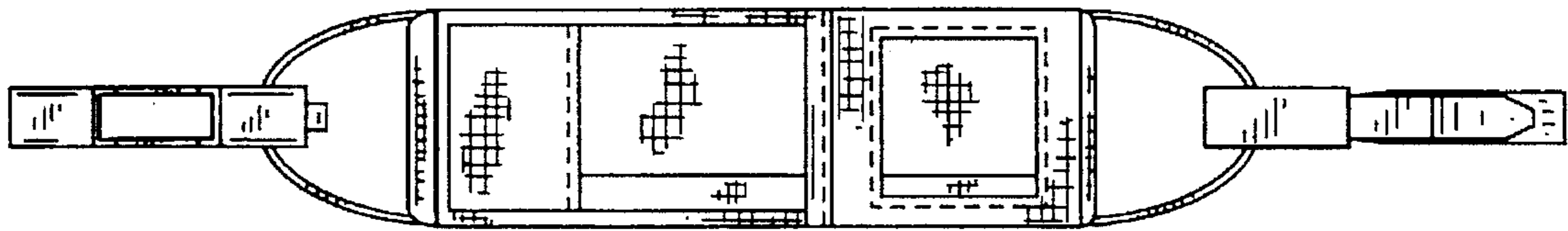


FIG. 6

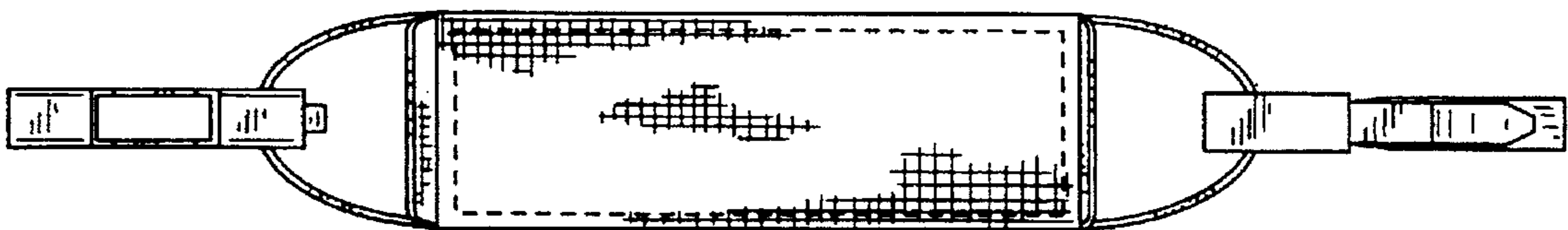


FIG. 7

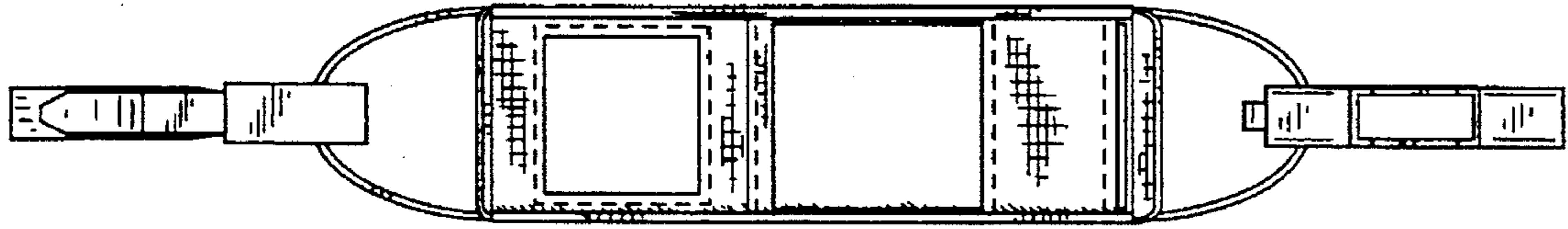


FIG. 8

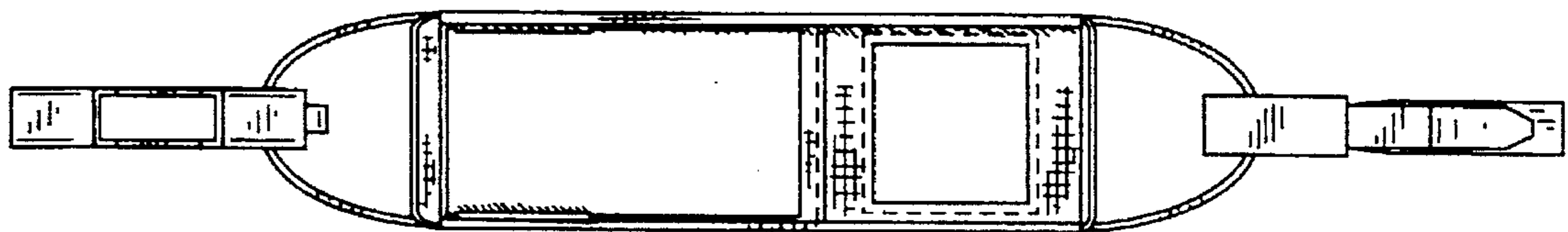


FIG. 9

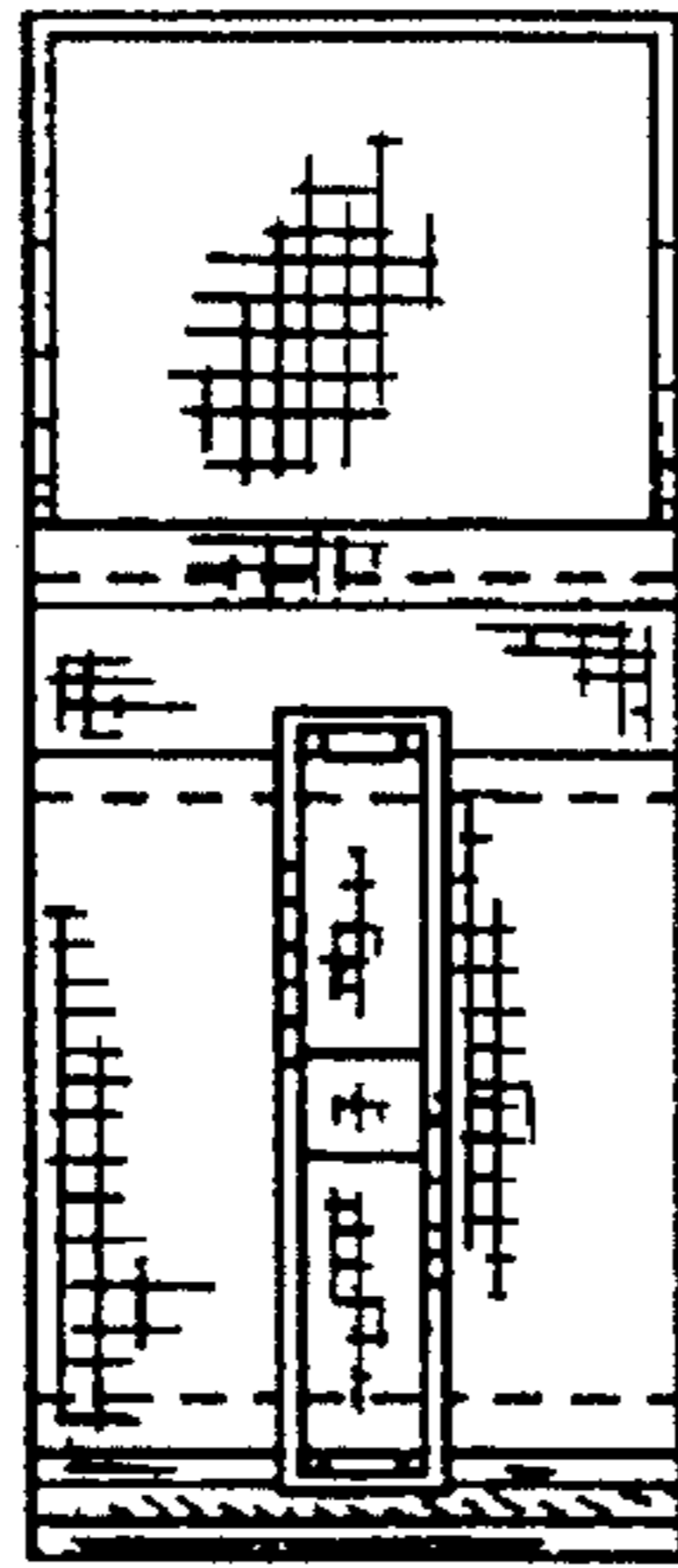


FIG. 10

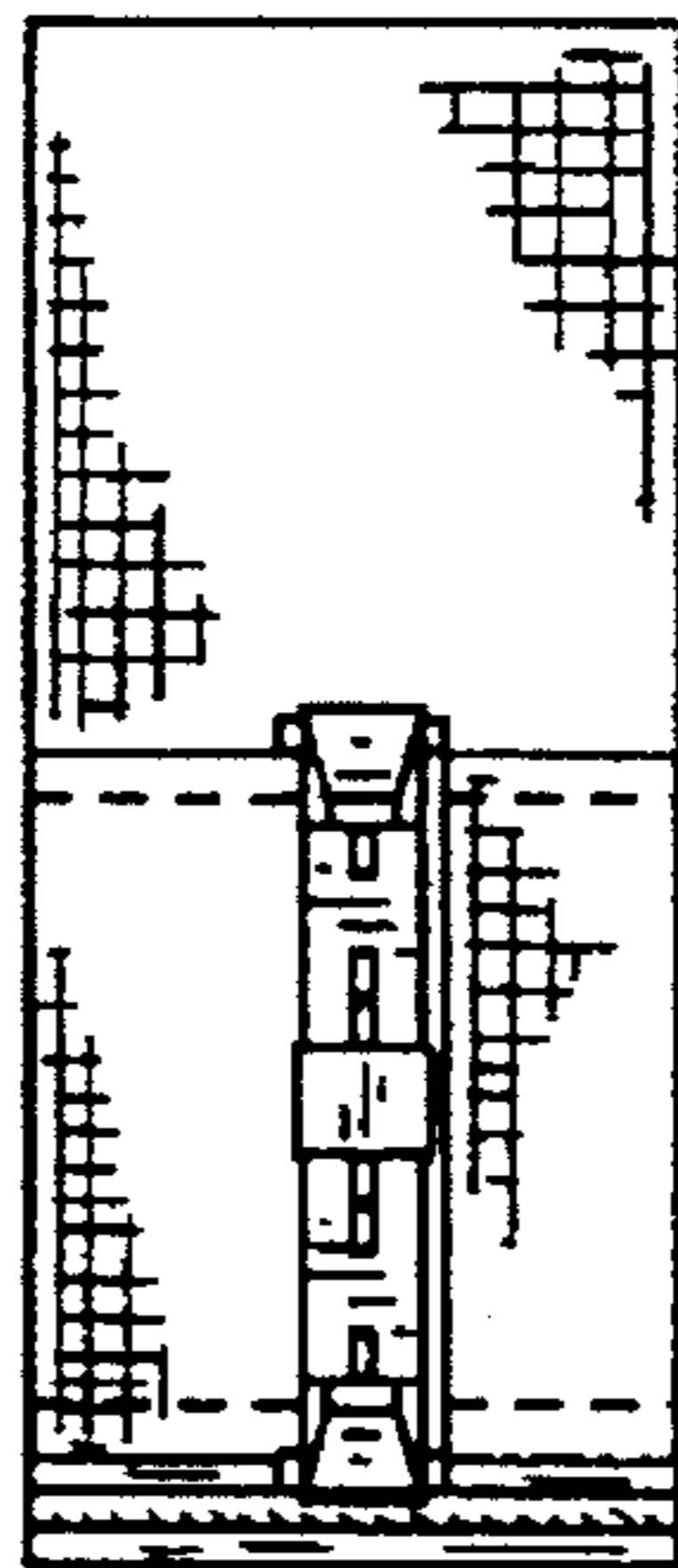


FIG. 11

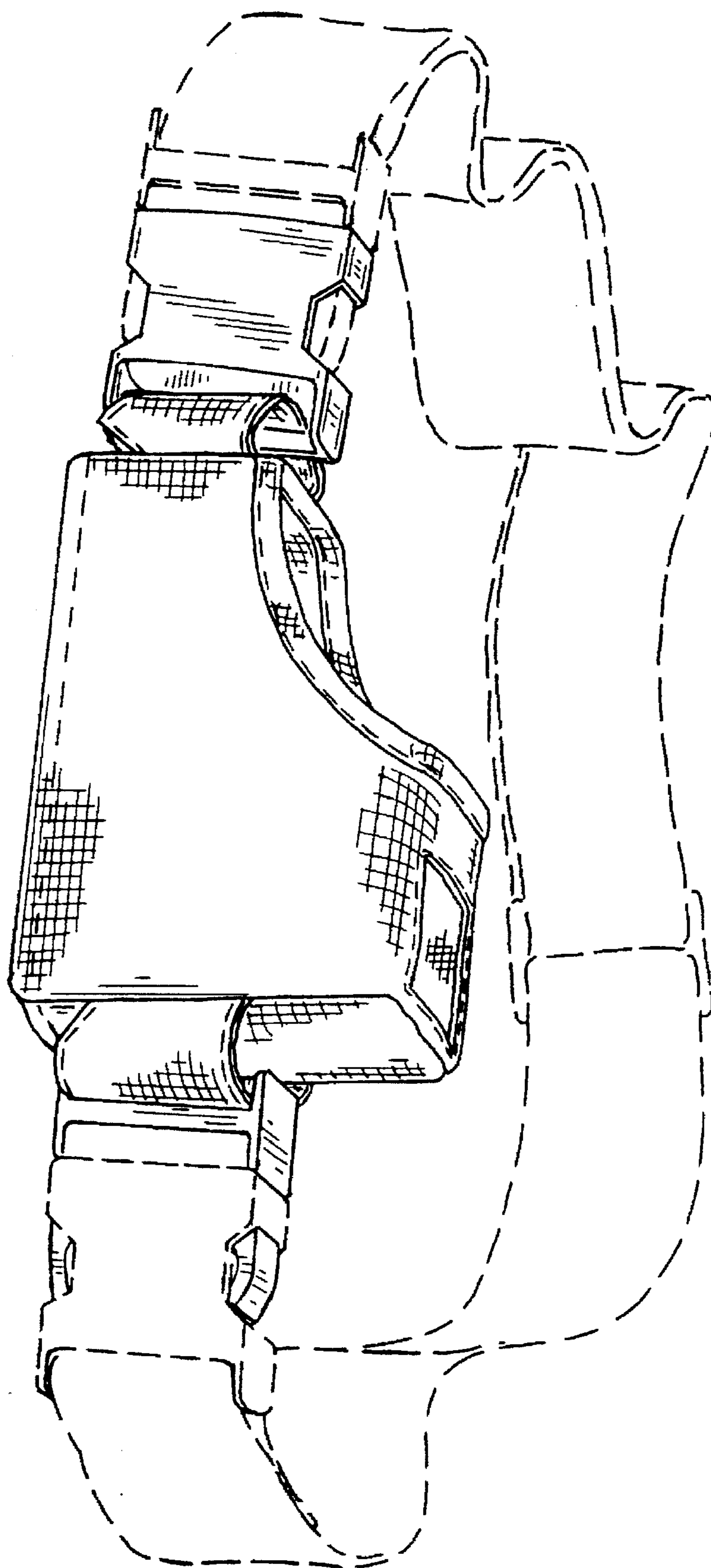


FIG. 12