



US00D382703S

United States Patent [19]

[11] Patent Number: **Des. 382,703**

Alves et al.

[45] Date of Patent: ****Aug. 26, 1997**

[54] **TAPE CASSETTE AND COMPACT DISC MAGAZINE CASE**

[75] Inventors: **Kasidy W. Alves**, Simi Valley; **Lewis C. Iby**, Westlake Village, both of Calif.

[73] Assignee: **Scosche Industries, Inc.**, Moorpark, Calif.

[**] Term: **14 Years**

D. 336,245 6/1993 Savas D9/346 X
 1,980,714 11/1934 Brady D3/285 X
 2,453,663 11/1948 Hinson 190/100
 4,837,590 6/1989 Sprague 206/232 X
 4,838,421 6/1989 Mastronardo 206/387.14
 4,892,195 1/1990 Slavin et al. 206/776 X
 5,054,589 10/1991 Bomes et al. 190/110 X
 5,484,054 1/1996 Kryszewski 206/232

Primary Examiner—Prabhakar G. Deshmukh
Attorney, Agent, or Firm—William W. Haefliger

[21] Appl. No.: **55,319**

[22] Filed: **Jun. 3, 1996**

[57] CLAIM

The ornamental design for a tape cassette and compact disc magazine case, as shown and described.

Related U.S. Application Data

[63] Continuation-in-part of Ser. No. 52,488, Apr. 9, 1996.

[51] LOC (6) Cl. **03-01**

[52] U.S. Cl. **D3/201**

[58] **Field of Search** D3/201, 218, 233, D3/303, 318, 319; 150/100, 103, 112-117, 131, 901; 190/1, 100, 107, 108, 109, 110, 111, 900, 903, 16; 206/232, 387.1, 387.13, 387.14, 387.15, 311; D6/407, 396

DESCRIPTION

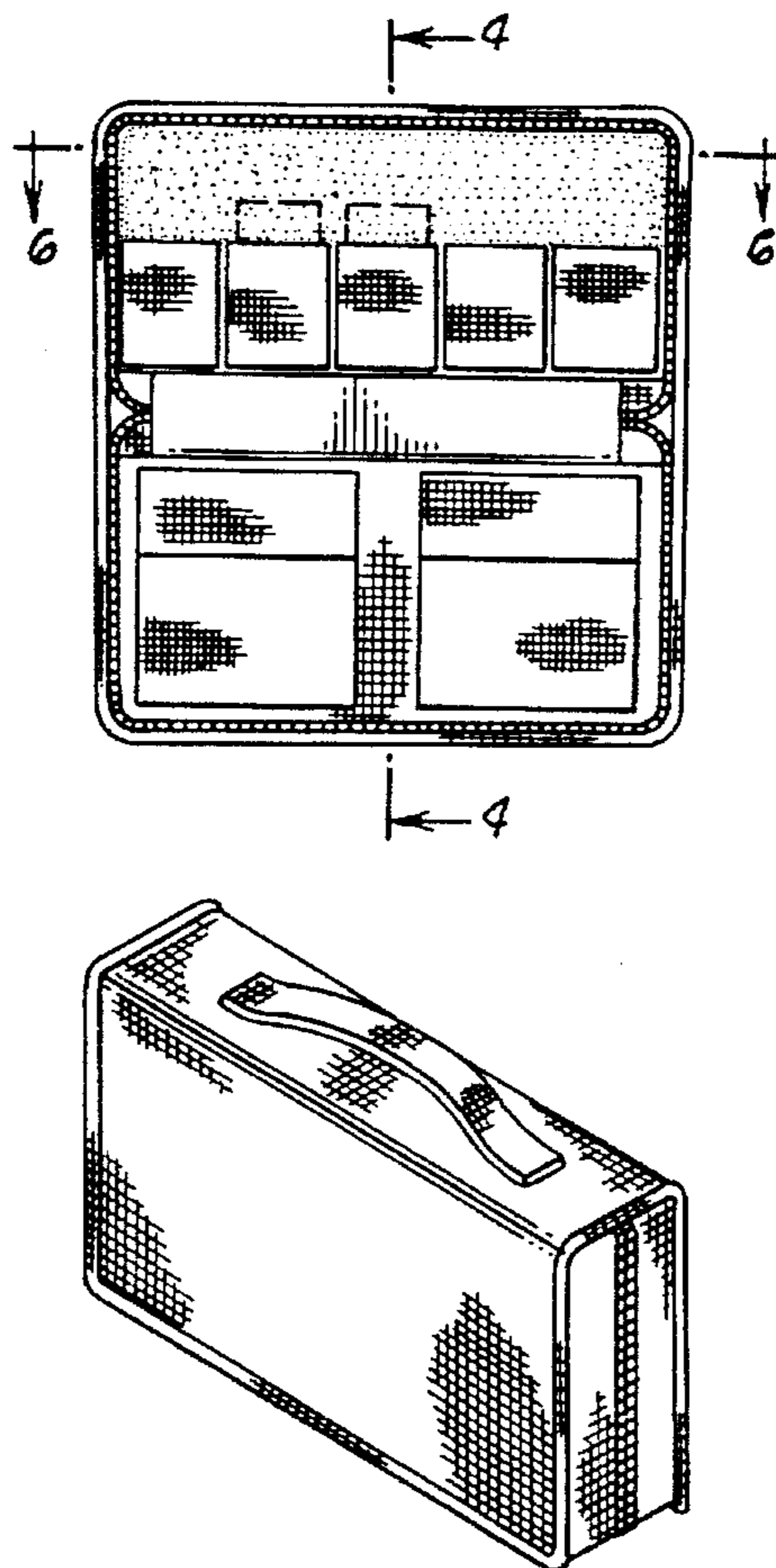
FIG. 1 is a front elevational view of a tape cassette and compact disc case magazine case showing our new design; FIG. 2 is a right side elevational view thereof; FIG. 3 is a rear elevational view thereof; FIG. 4 is a sectional elevational view thereof; taken along line 4-4 of FIG. 1; FIG. 5 is a top plan view thereof; the bottom plan being a mirror image thereof; FIG. 6 is a sectional elevational view thereof; taken along line 6-6 of FIG. 1; and, FIG. 7 is a perspective view thereof; in a folded condition.

[56] References Cited

U.S. PATENT DOCUMENTS

D. 308,331 6/1990 Slavin et al. D9/418 X

1 Claim, 2 Drawing Sheets



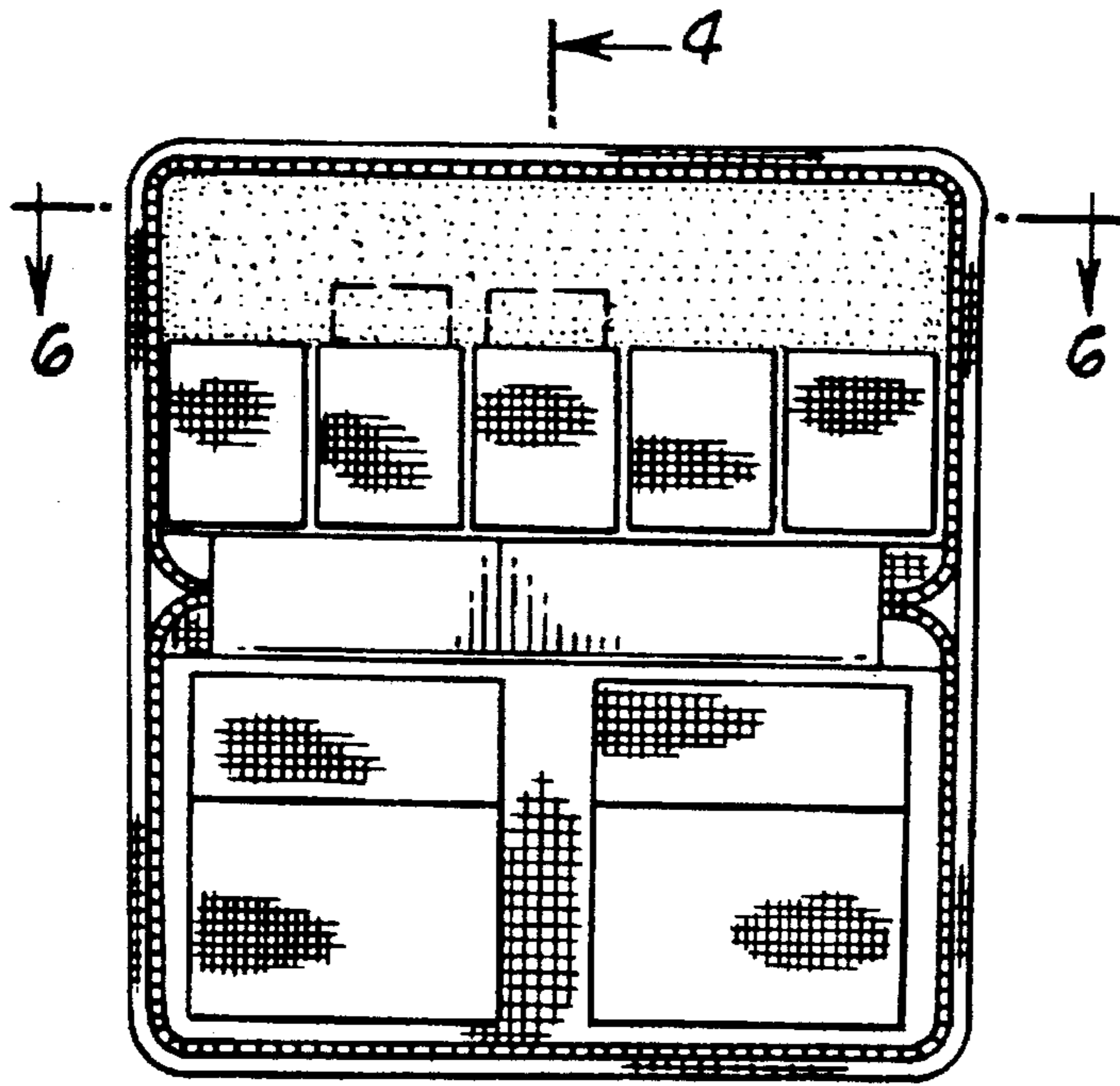


FIG. 1.

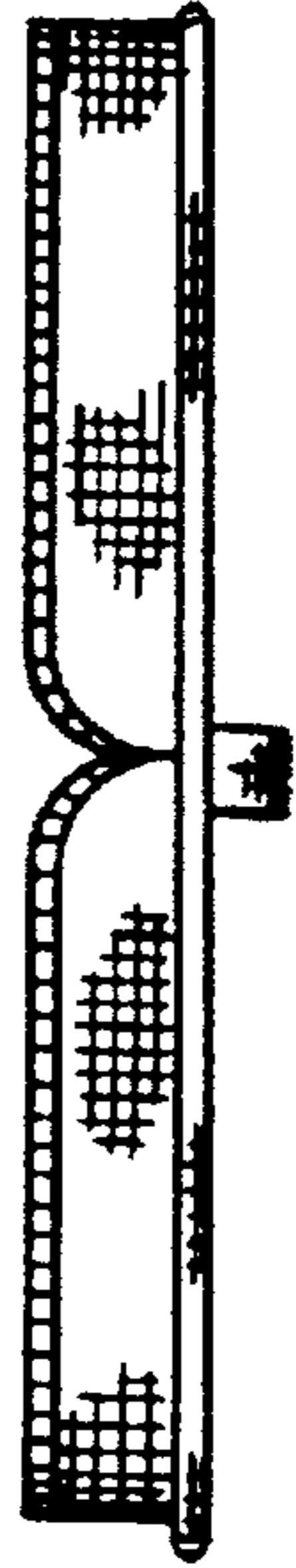


FIG. 2.

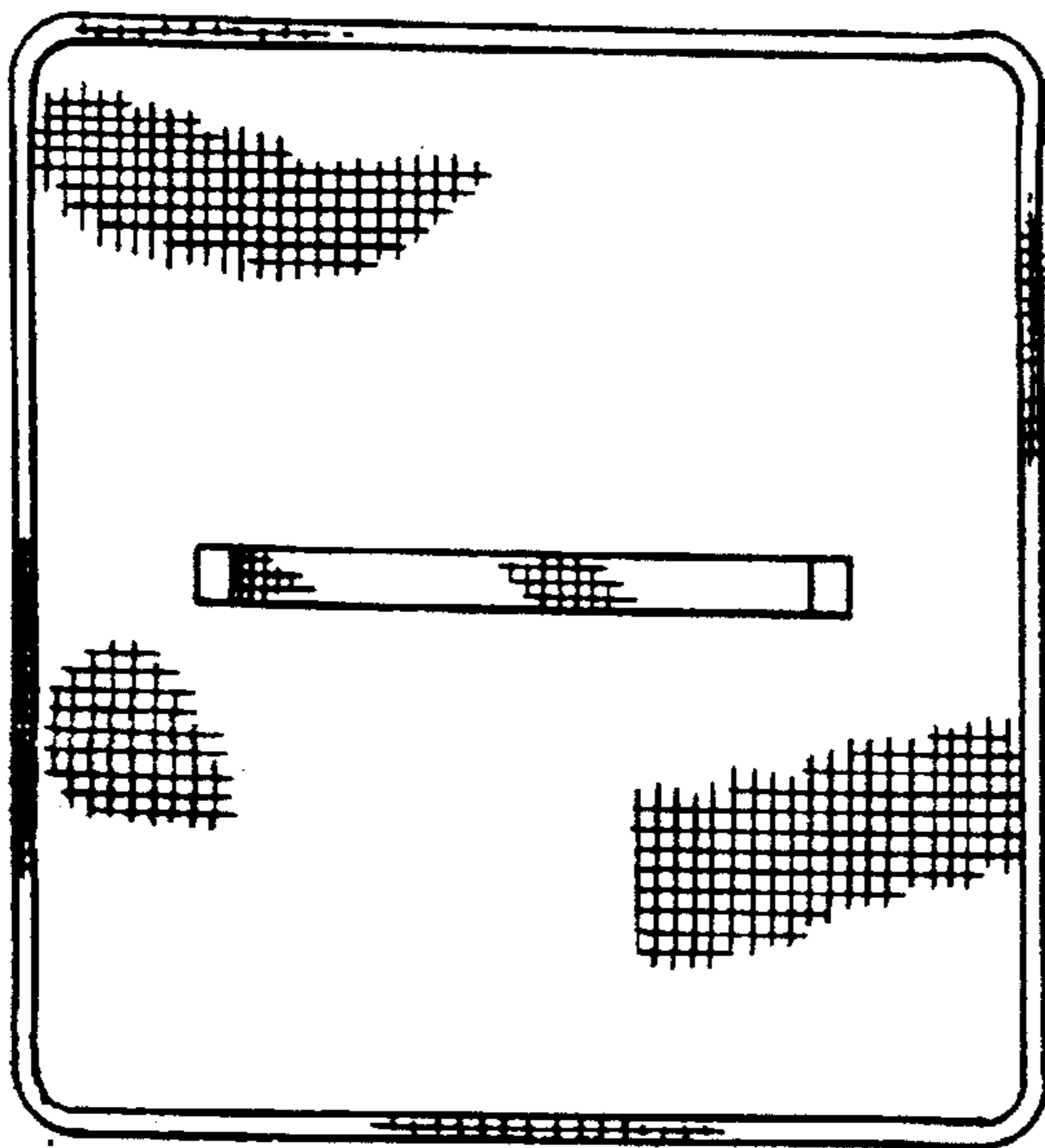


FIG. 3.

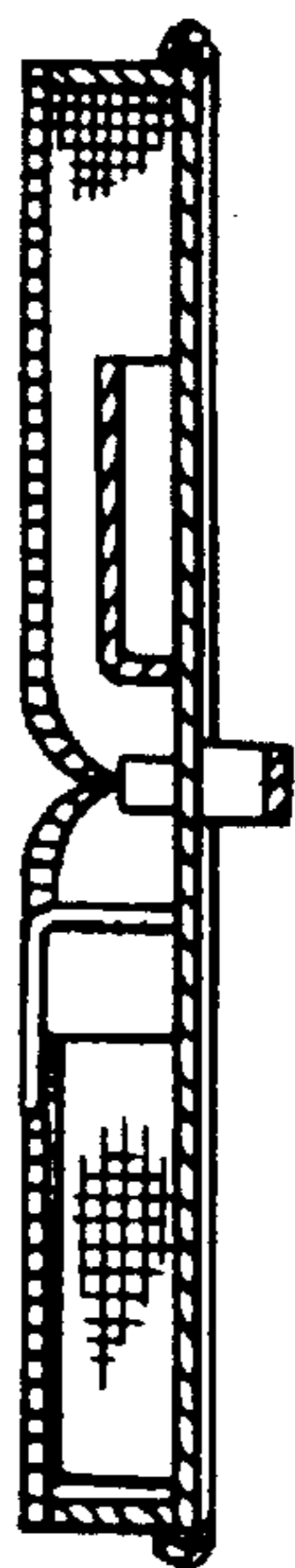


FIG. 4.

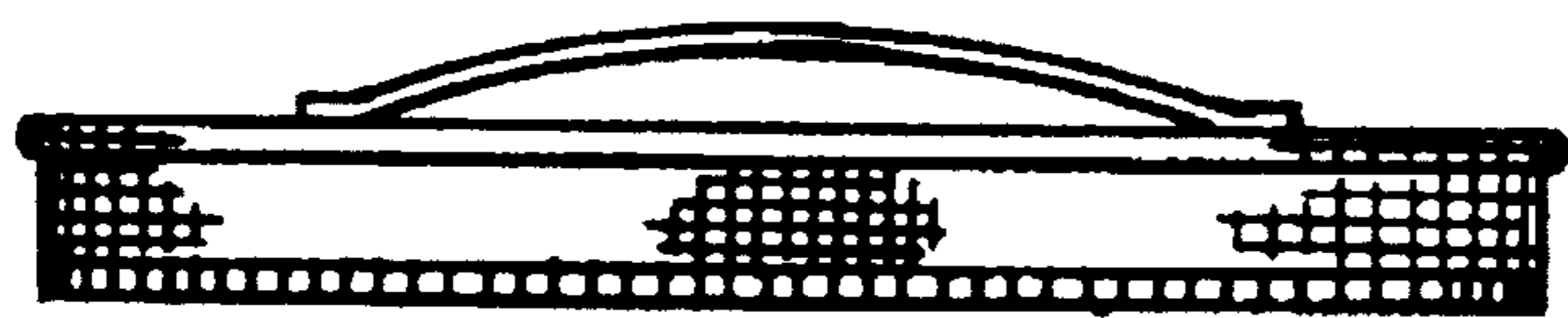


FIG. 5.



FIG. 6.

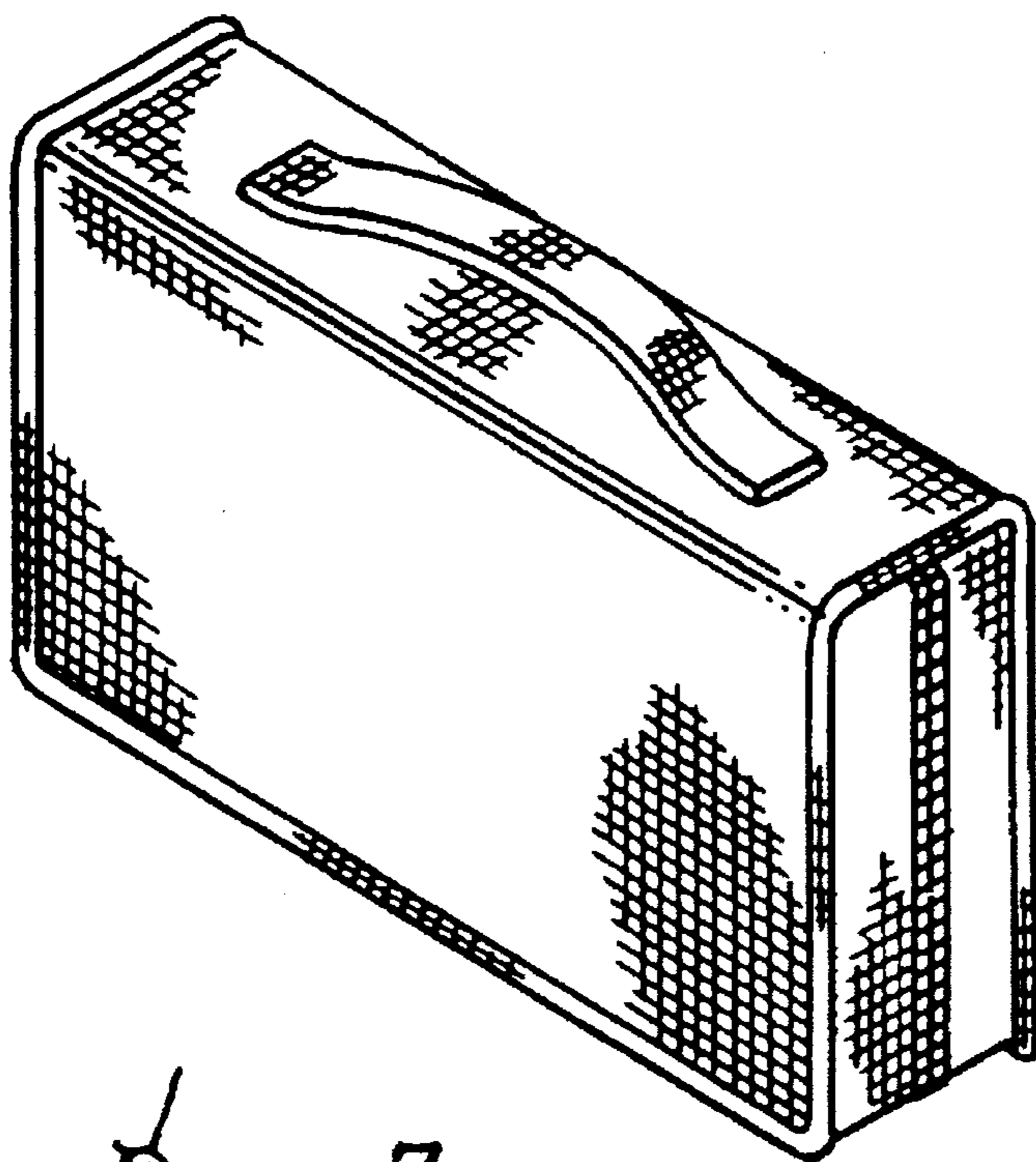


FIG. 7.