



US00D382691S

United States Patent [19]

[11] Patent Number: **Des. 382,691**

Fuller et al.

[45] Date of Patent: ****Aug. 26, 1997**

[54] **STORAGE ATTACHMENT FOR SHOES**

[76] Inventors: **Steve Fuller; Jonathan Scott**, both of
6024 S. 119 St., Seattle, Wash. 98178

[**] Term: **14 Years**

[21] Appl. No.: **45,793**

[22] Filed: **Oct. 30, 1995**

[51] LOC (6) Cl. **02-04**

[52] U.S. Cl. **D2/946**

[58] Field of Search D2/946; 24/712,
24/712.1, 712.2, 712.3, 712.4, 712.9, 713,
713.2, 713.3; 36/136, 132

[56] **References Cited**

U.S. PATENT DOCUMENTS

4,507,882	4/1985	Harrell	D2/946	X
4,823,426	4/1989	Bragga	36/136	X
5,311,679	5/1994	Birch, Sr.	36/136	

Primary Examiner—Doris V. Coles
Attorney, Agent, or Firm—Harold H. Dutton, Jr.; Diane F. Liebman

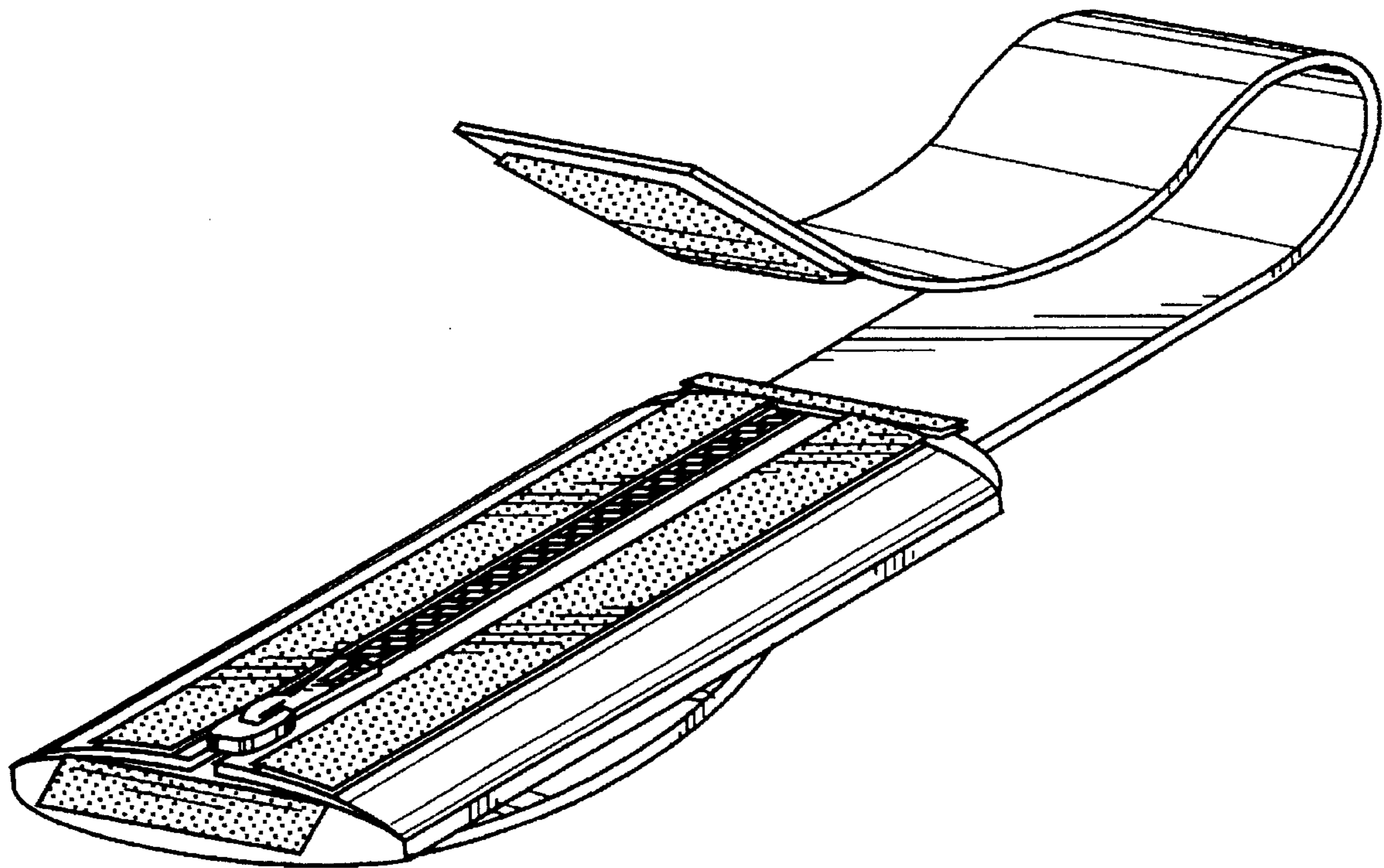
[57] **CLAIM**

The ornamental design for a storage attachment for shoes, as shown and described.

DESCRIPTION

FIG. 1 is a perspective view of a storage attachment for shoes showing my new design;
 FIG. 2 is a top view with the strap broken away for the convenience of illustration;
 FIG. 3 is a bottom view thereof;
 FIG. 4 is a right side view thereof;
 The left side is a mirror image of the right side;
 FIG. 5 is a front view thereof; and,
 FIG. 6 is a rear view thereof.

1 Claim, 3 Drawing Sheets



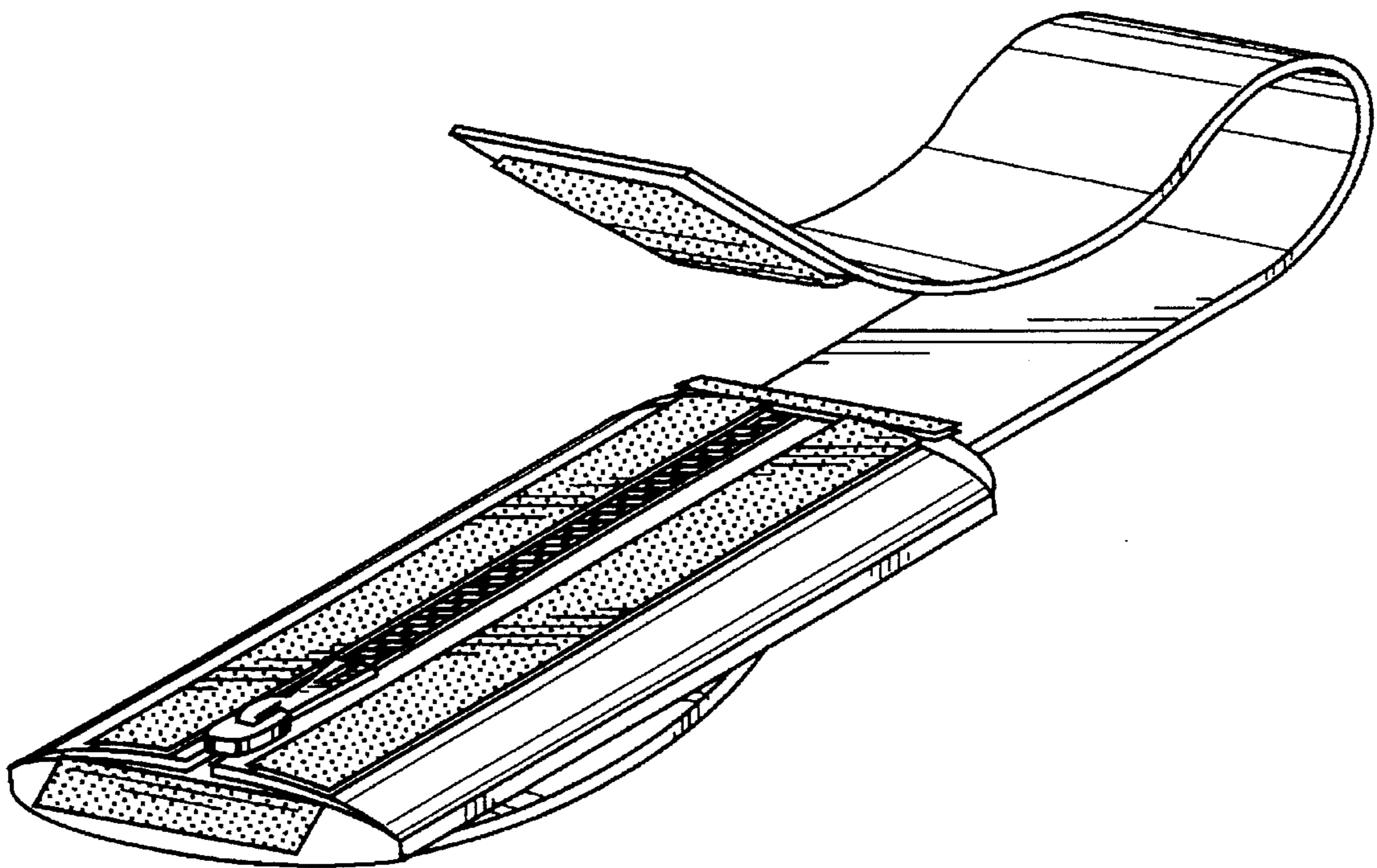


FIG. 1

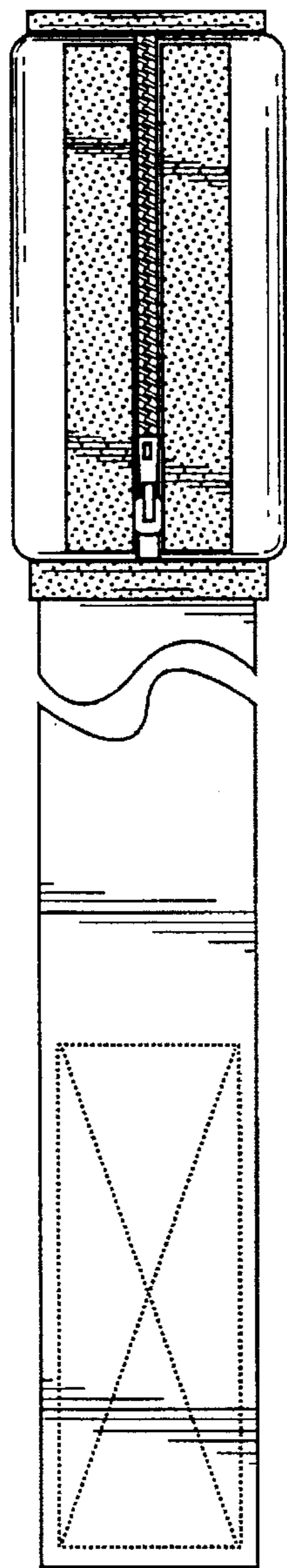


FIG. 2

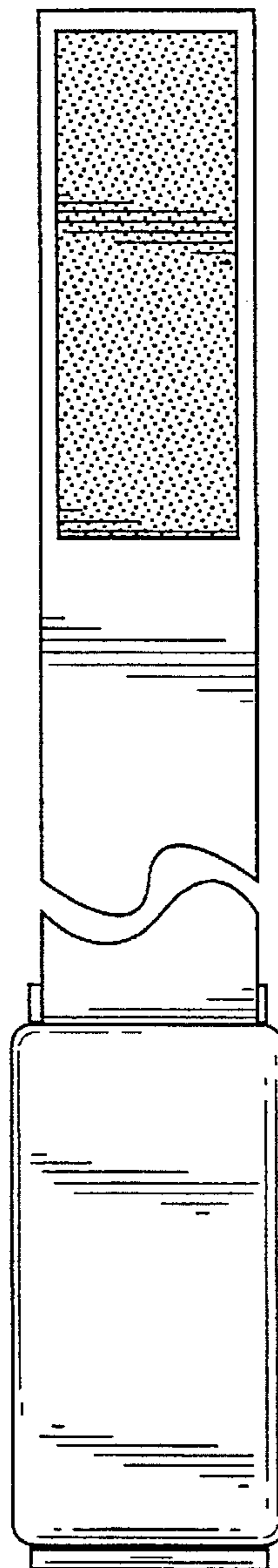


FIG. 3

FIG. 4



FIG. 5



FIG. 6