



US00D382681S

United States Patent [19]

[11] Patent Number: **Des. 382,681**

Thomas

[45] Date of Patent: ****Aug. 19, 1997**

[54] **VACUUM CLEANER**

D. 303,171	8/1989	Goodrich et al.	D32/21
D. 307,656	5/1990	Yuen	D32/22
D. 328,165	7/1992	Ferrari et al.	D32/22
D. 359,604	6/1995	Sovis et al.	D32/22

[75] Inventor: **Joyce Thomas**, Lexington, Ill.

[73] Assignee: **White Consolidated Industries, Inc.**,
Cleveland, Ohio

Primary Examiner—Ruth McInroy
Attorney, Agent, or Firm—Pearne, Gordon, McCoy & Granger

[**] Term: **14 Years**

[57] CLAIM

[21] Appl. No.: **49,084**

The ornamental design for a vacuum cleaner, as shown and described.

[22] Filed: **Jan. 16, 1996**

[51] LOC (6) Cl. **15-05**

[52] U.S. Cl. **D32/22**

[58] Field of Search D32/21, 22; 15/347,
15/335, 350, 351, 344, 329, 412, 361

DESCRIPTION

[56] References Cited

FIG. 1 is a perspective view of a vacuum cleaner, showing my new design;
FIG. 2 is a front elevational view thereof;
FIG. 3 is a side elevational view thereof;
FIG. 4 is a top view thereof;
FIG. 5 is a side elevational view of the opposite side of FIG. 3;
FIG. 6 is a rear view thereof; and,
FIG. 7 is a bottom view thereof.

U.S. PATENT DOCUMENTS

D. 290,895	7/1987	Thomas et al.	D32/22
D. 292,636	11/1987	Goodrich et al.	D32/22
D. 296,486	6/1988	Staubitz et al.	D32/22
D. 299,175	12/1988	Nimon et al.	D32/22
D. 301,649	6/1989	Yamamoto et al.	D32/22

1 Claim, 4 Drawing Sheets

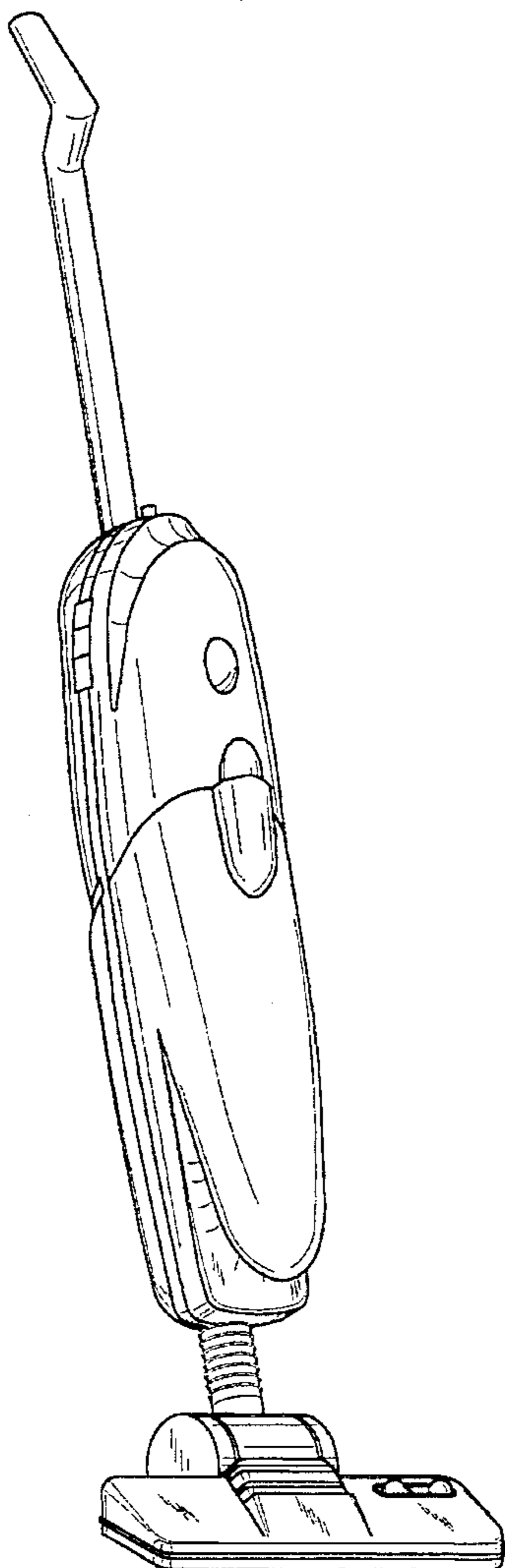


Fig. 1

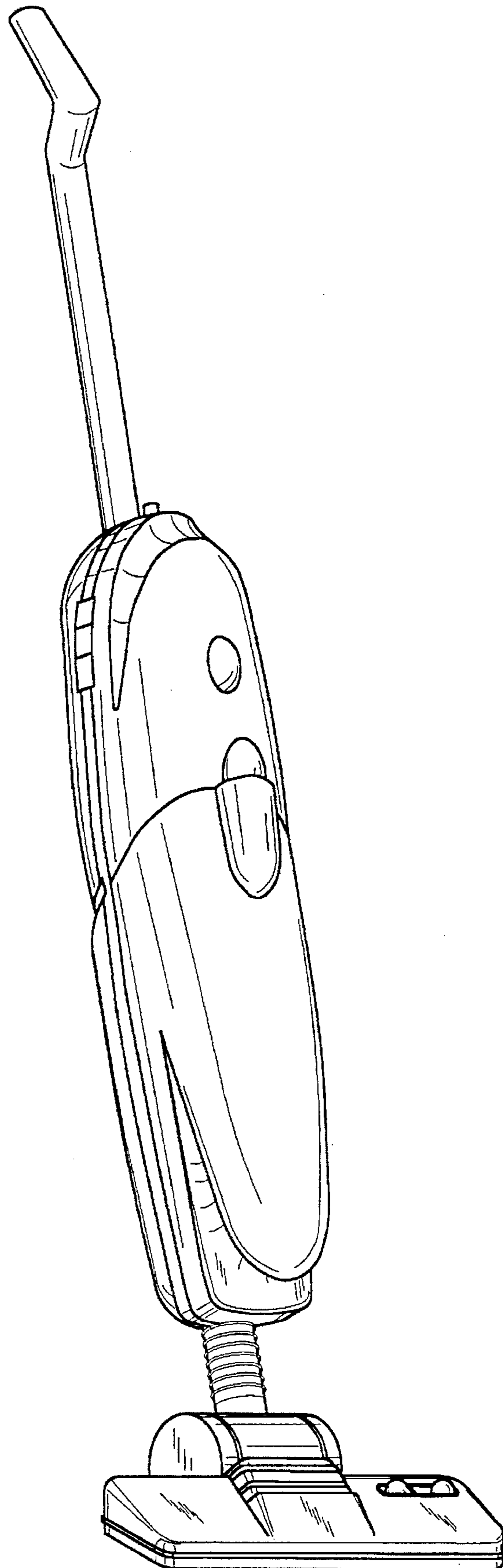


Fig.2

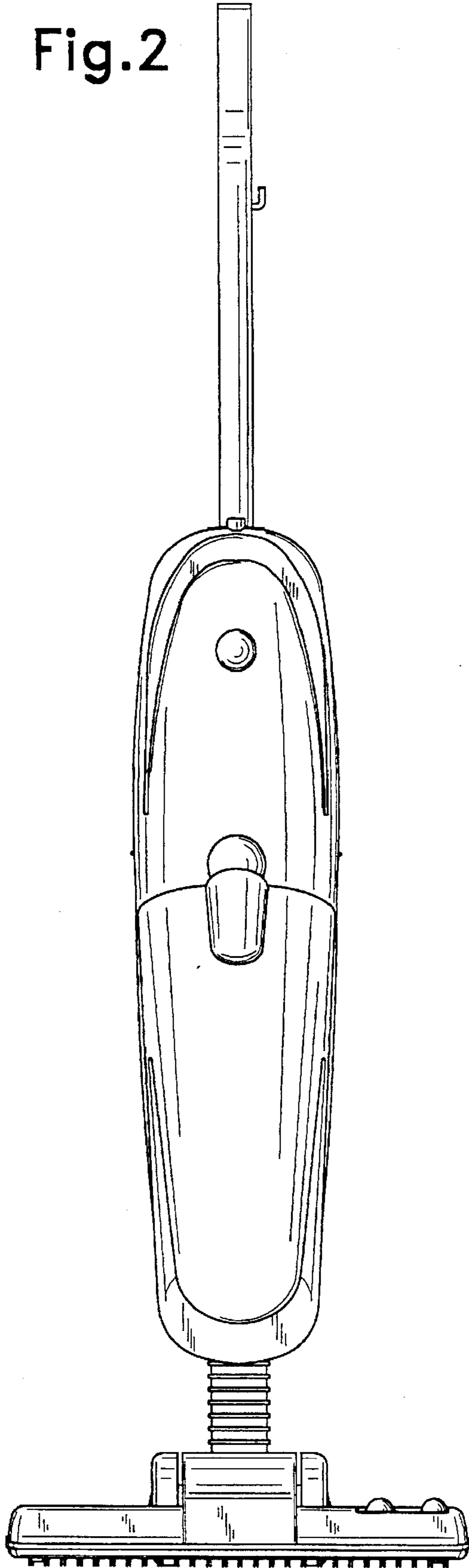
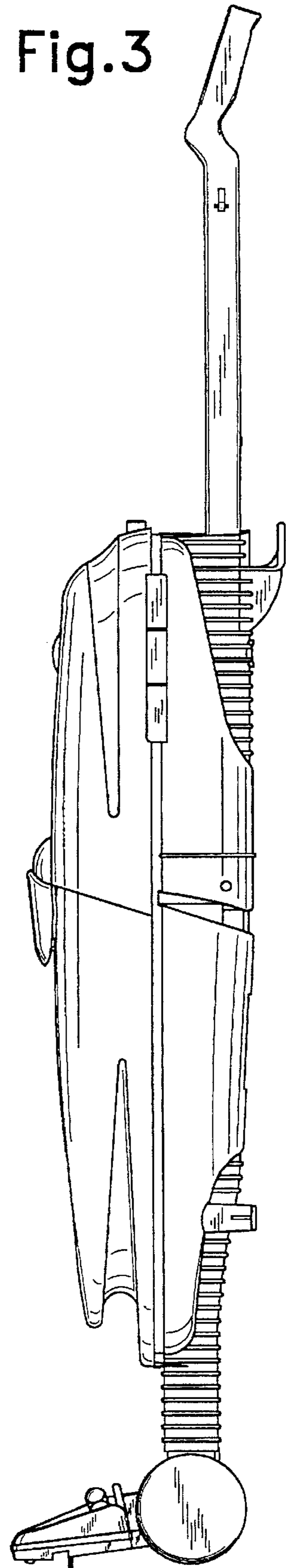


Fig.3



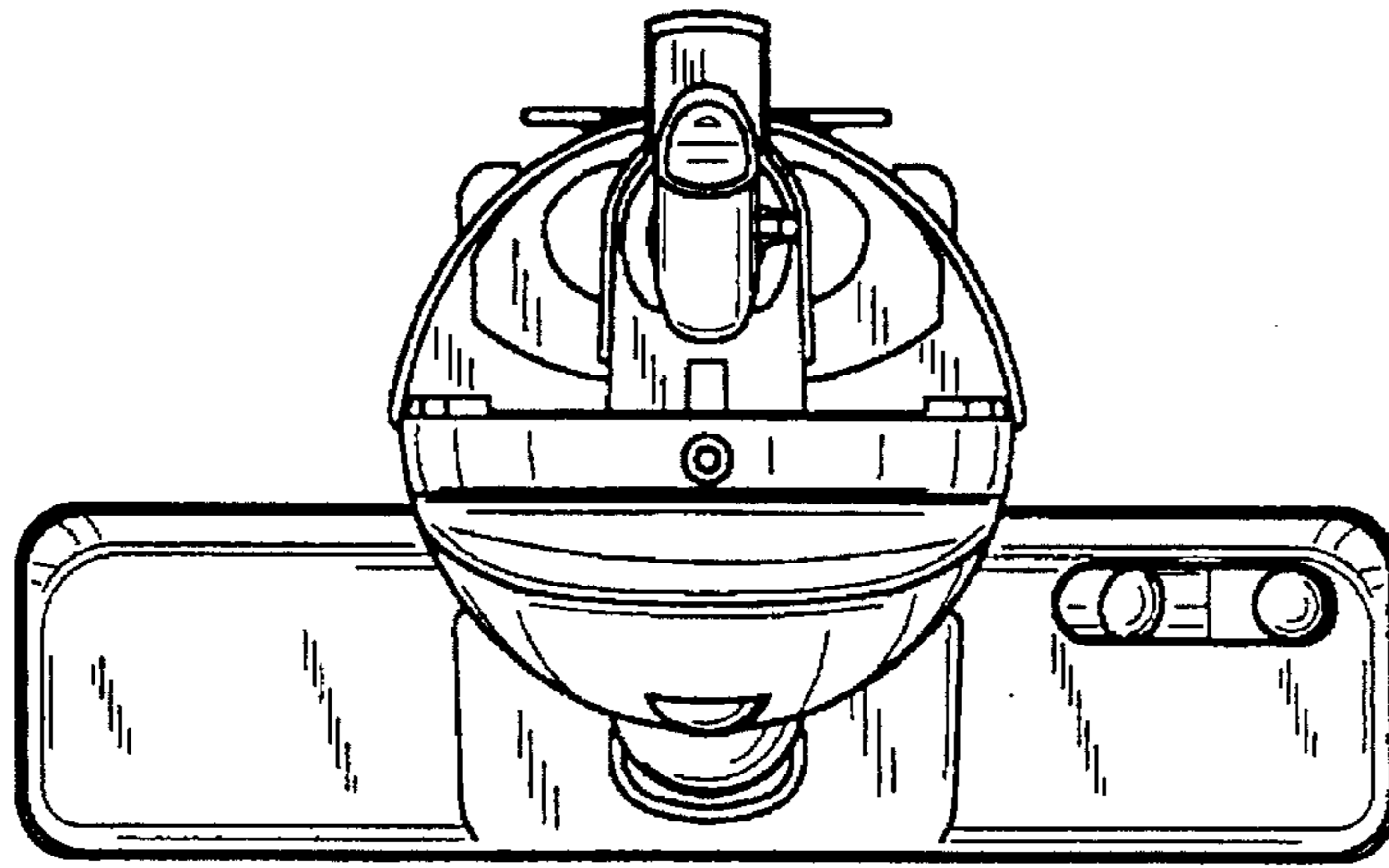


Fig. 4

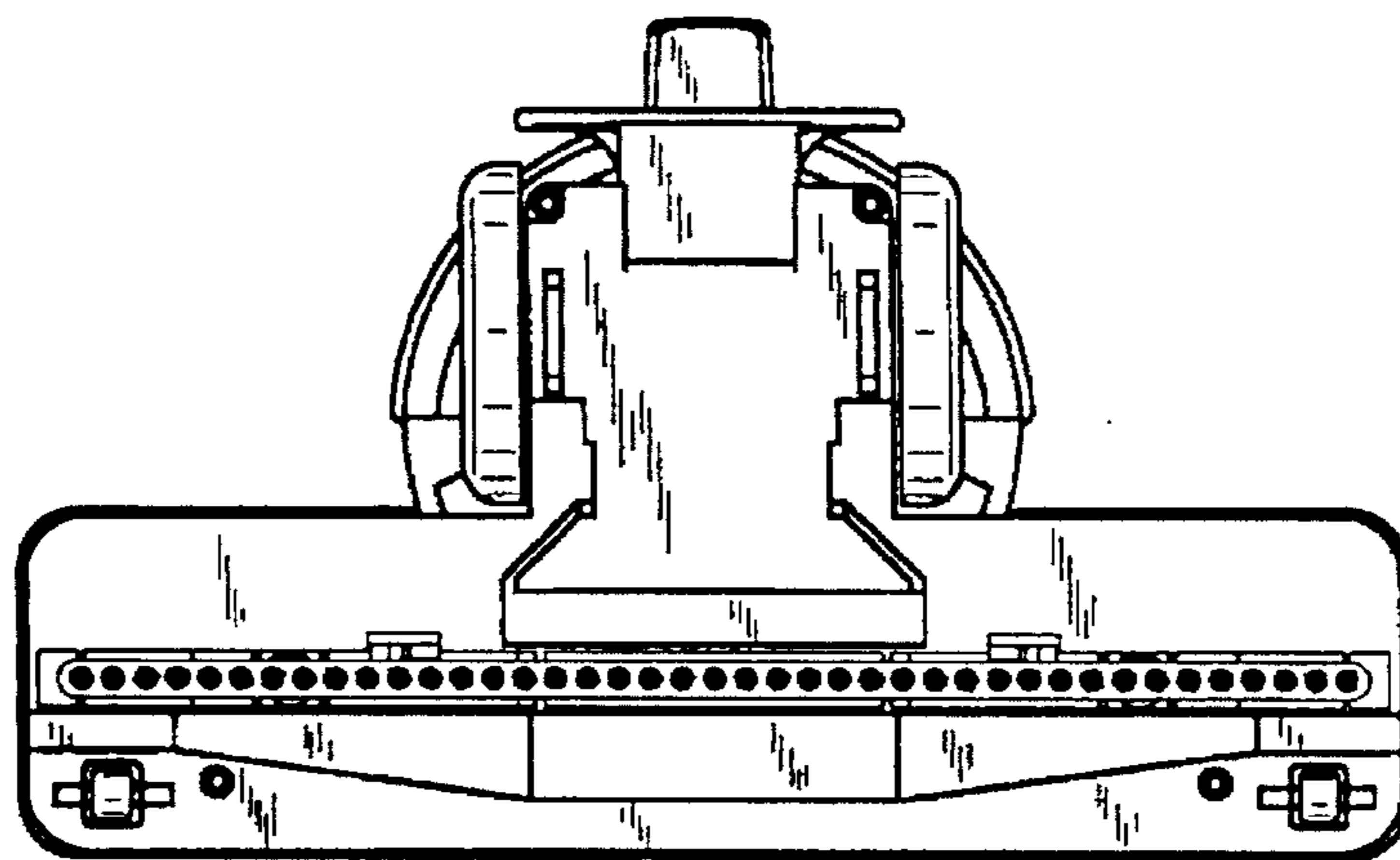


Fig. 7

Fig.5

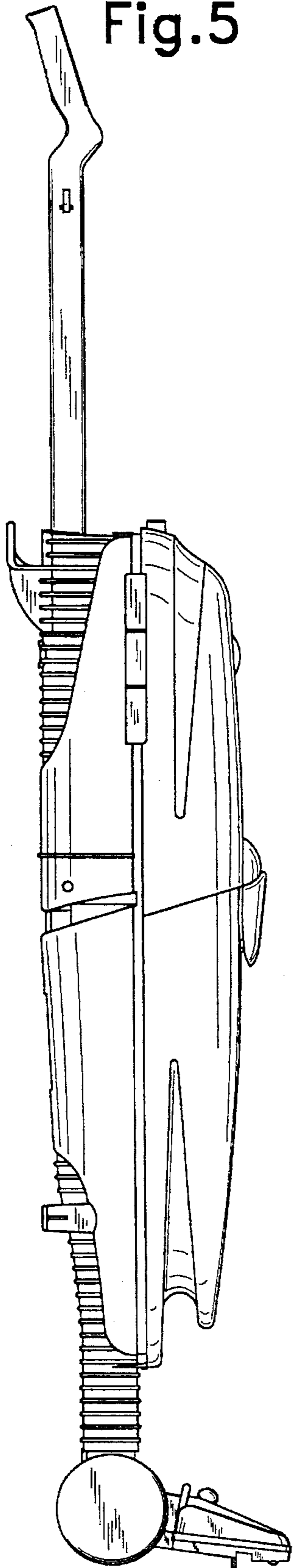


Fig.6

