



US00D382679S

United States Patent [19]

[11] Patent Number: **Des. 382,679**

Dyson

[45] Date of Patent: ****Aug. 19, 1997**

[54] **VACUUM CLEANER**

D. 355,283 2/1995 Thomas et al. D32/24

[75] Inventor: **James Dyson, Bath, United Kingdom**

Primary Examiner—Ruth McInroy
Attorney, Agent, or Firm—Ian C. McLeod

[73] Assignee: **Notetry Limited, Wiltshire, United Kingdom**

[57] **CLAIM**

[**] Term: **14 Years**

The ornamental design for a vacuum cleaner, as shown and described.

[21] Appl. No.: **39,861**

DESCRIPTION

[22] Filed: **Jun. 6, 1995**

FIG. 1 is a front elevational view of a vacuum cleaner showing my new design;

[51] LOC (6) Cl. **15-05**

FIG. 2 is a partial rear elevational view thereof;

[52] U.S. Cl. **D32/21**

FIG. 3 is a partial right side elevational view thereof, the left side being a mirror image thereto;

[58] Field of Search D32/1, 21, 23, D32/24; 15/327.1, 327.2, 327.4, 320, 321, 323, 352, 353, 347

FIG. 4 is a partial top plan view thereof;

FIG. 5 is a right side view of the nozzle and hose shown separate from the vacuum cleaner for clarity of illustration; and,

[56] References Cited

U.S. PATENT DOCUMENTS

FIG. 6 is a top plane view of the nozzle and hose shown separate from the vacuum cleaner for clarity of illustration.

- D. 183,800 10/1958 Lambert D32/21
- D. 343,934 2/1994 Meelen D32/24
- D. 344,375 2/1994 Piret et al. D32/21

1 Claim, 5 Drawing Sheets

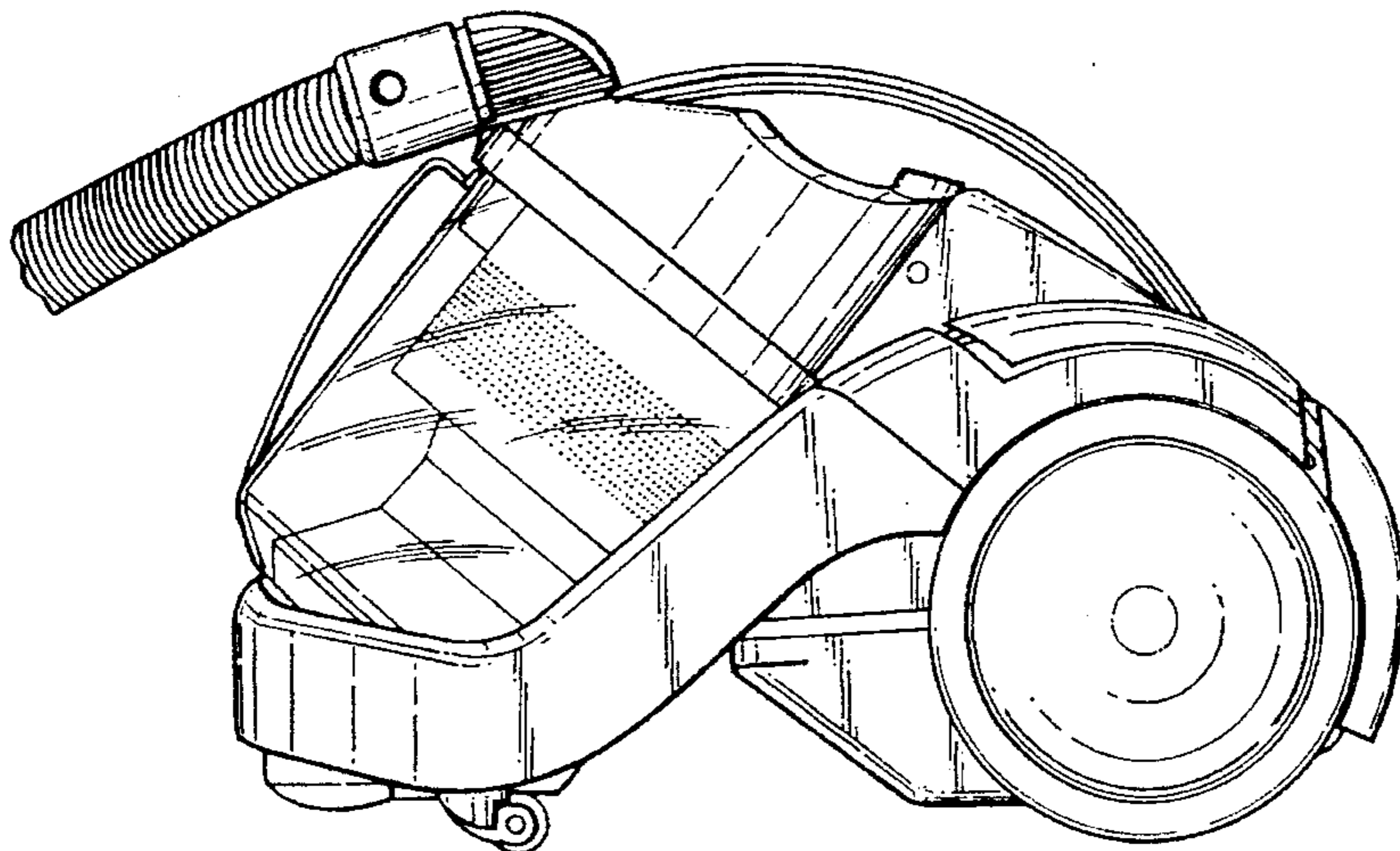
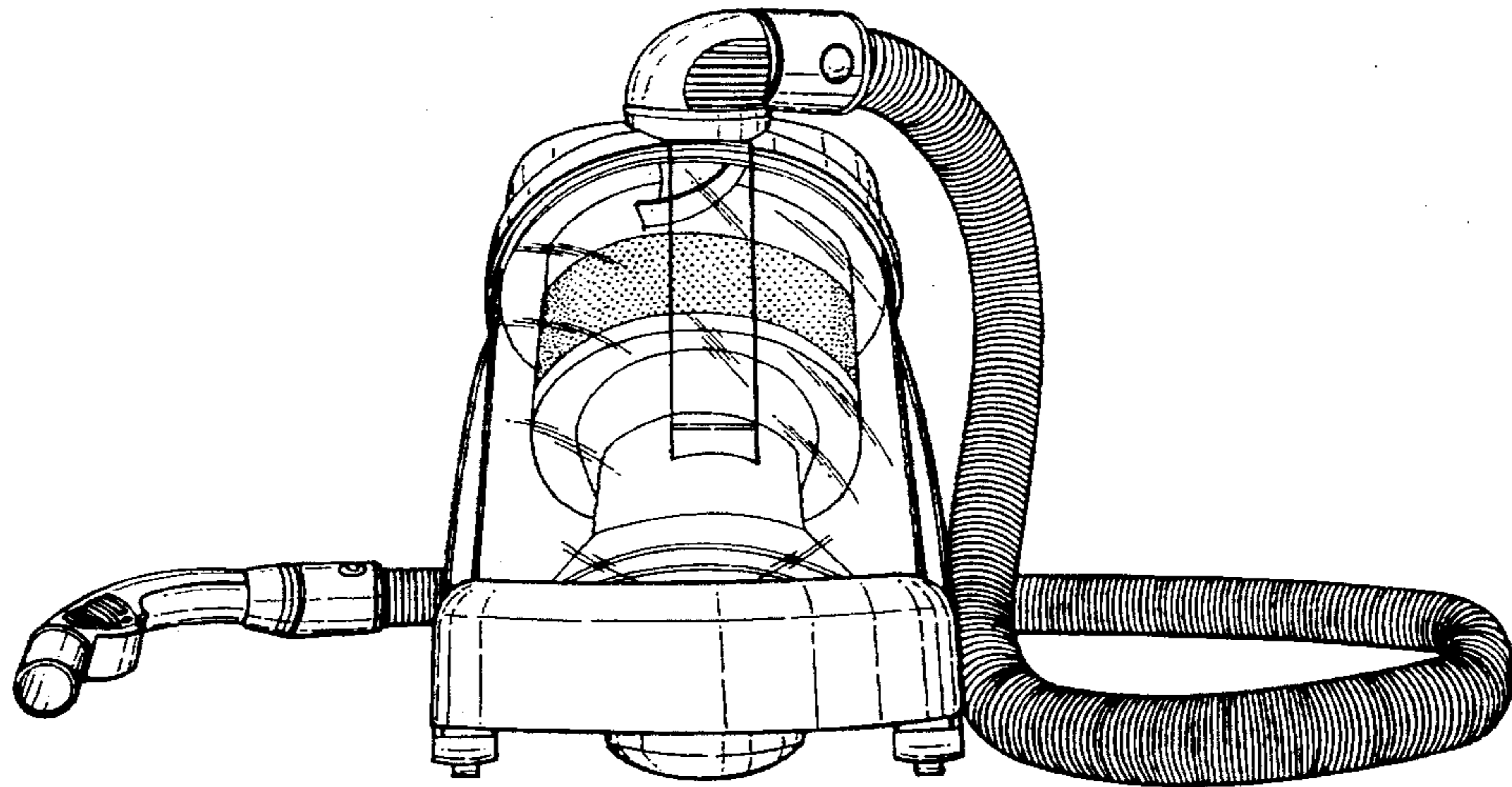
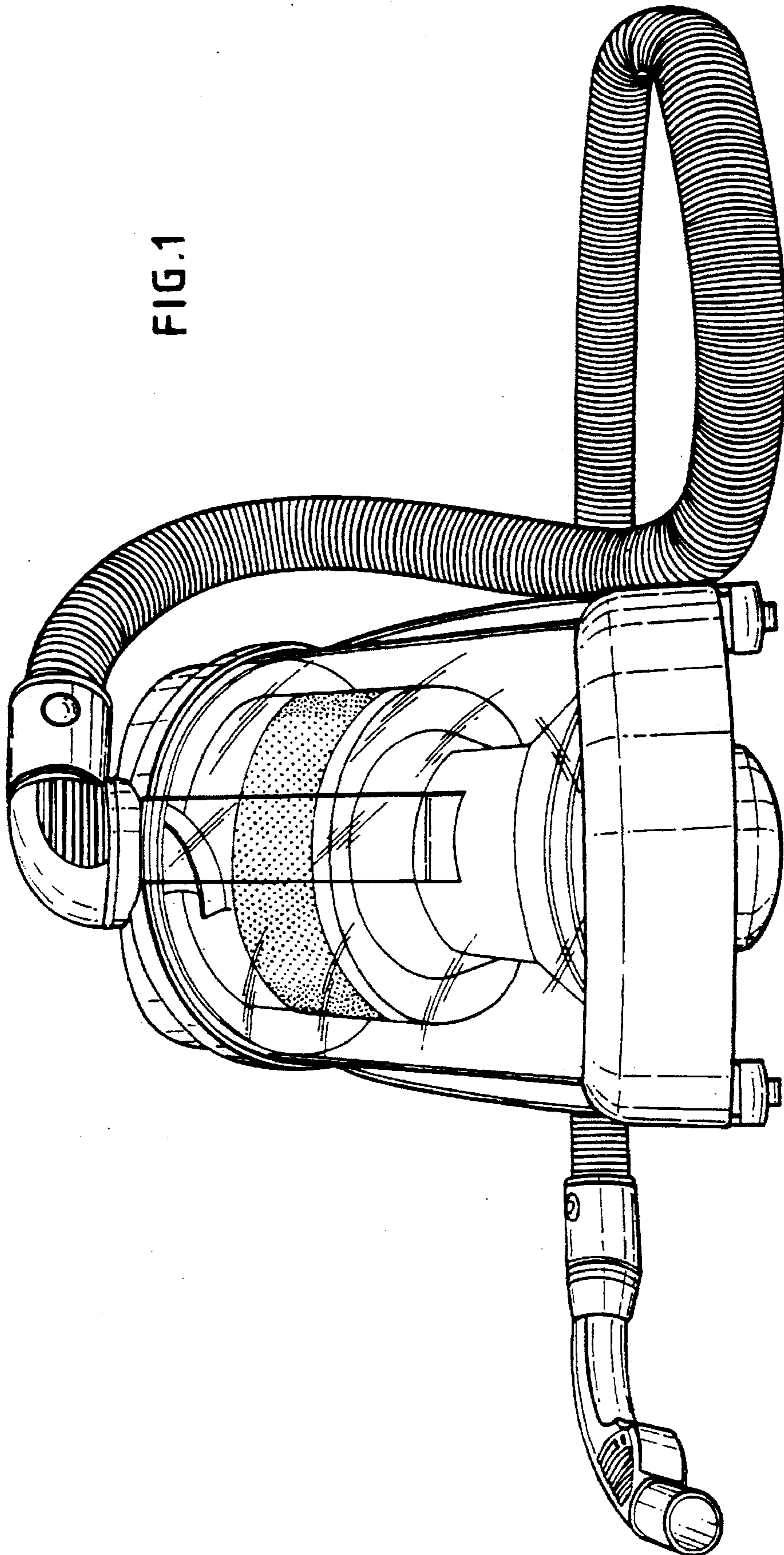


FIG. 1



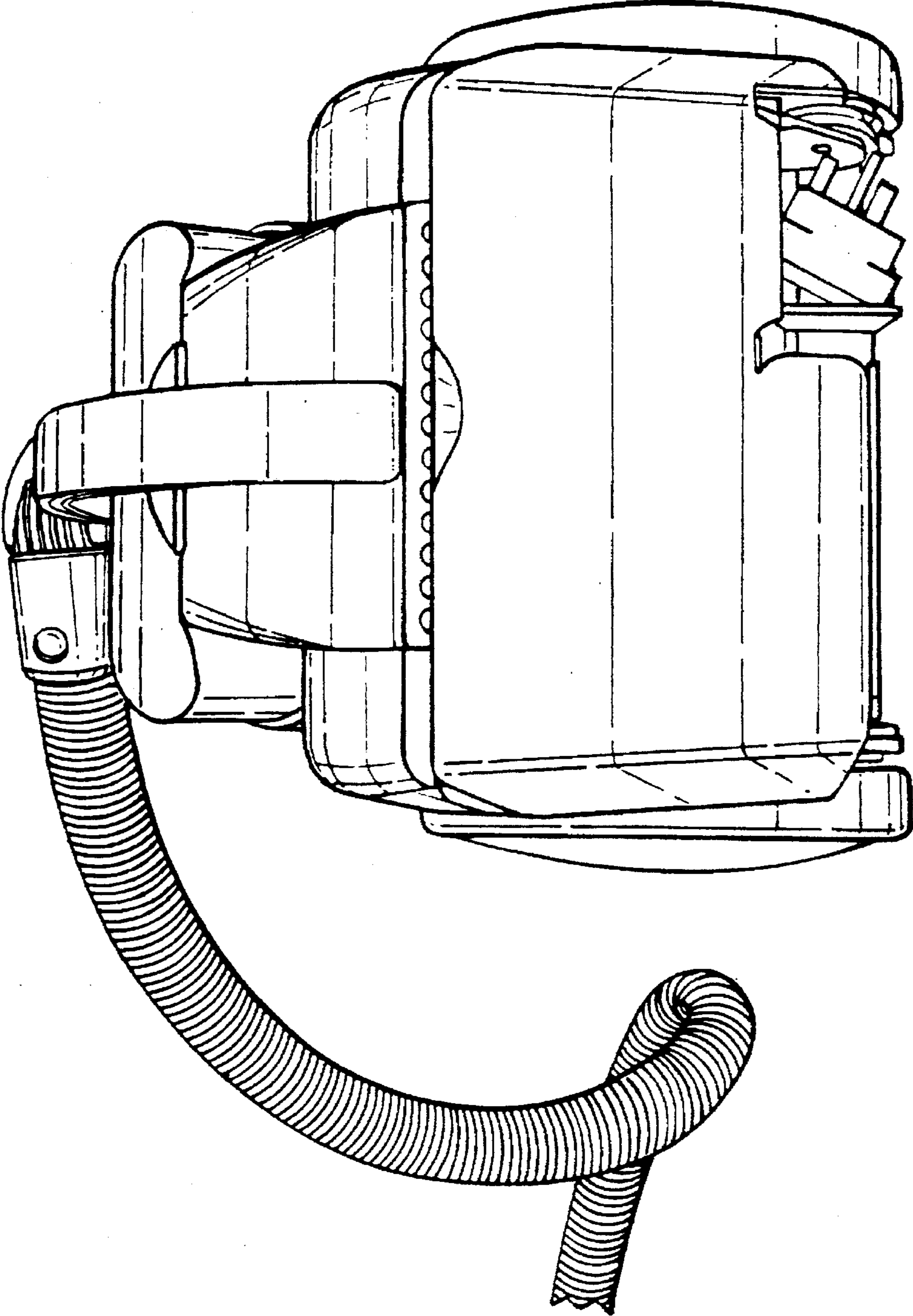


FIG. 2

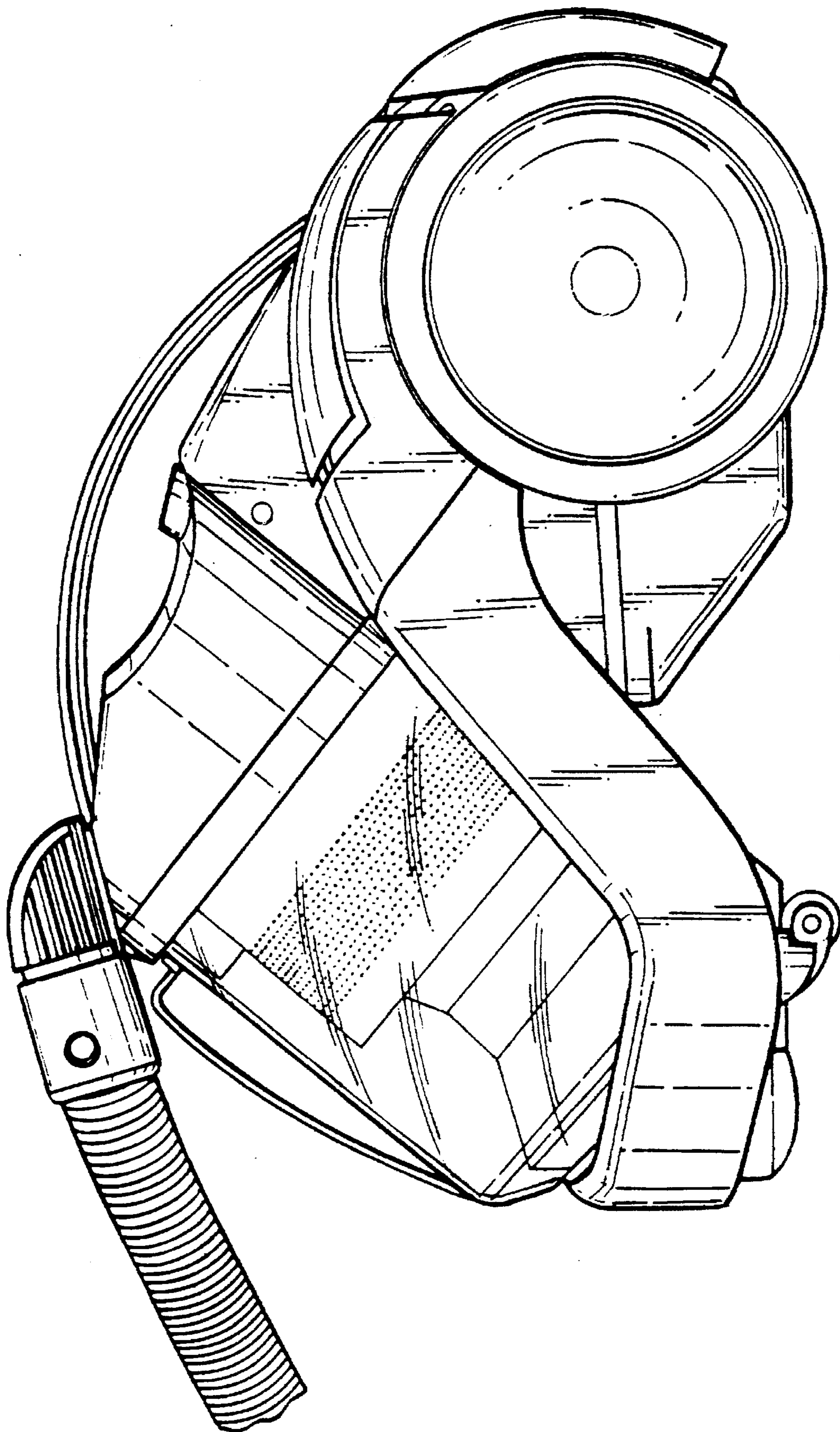


FIG. 3

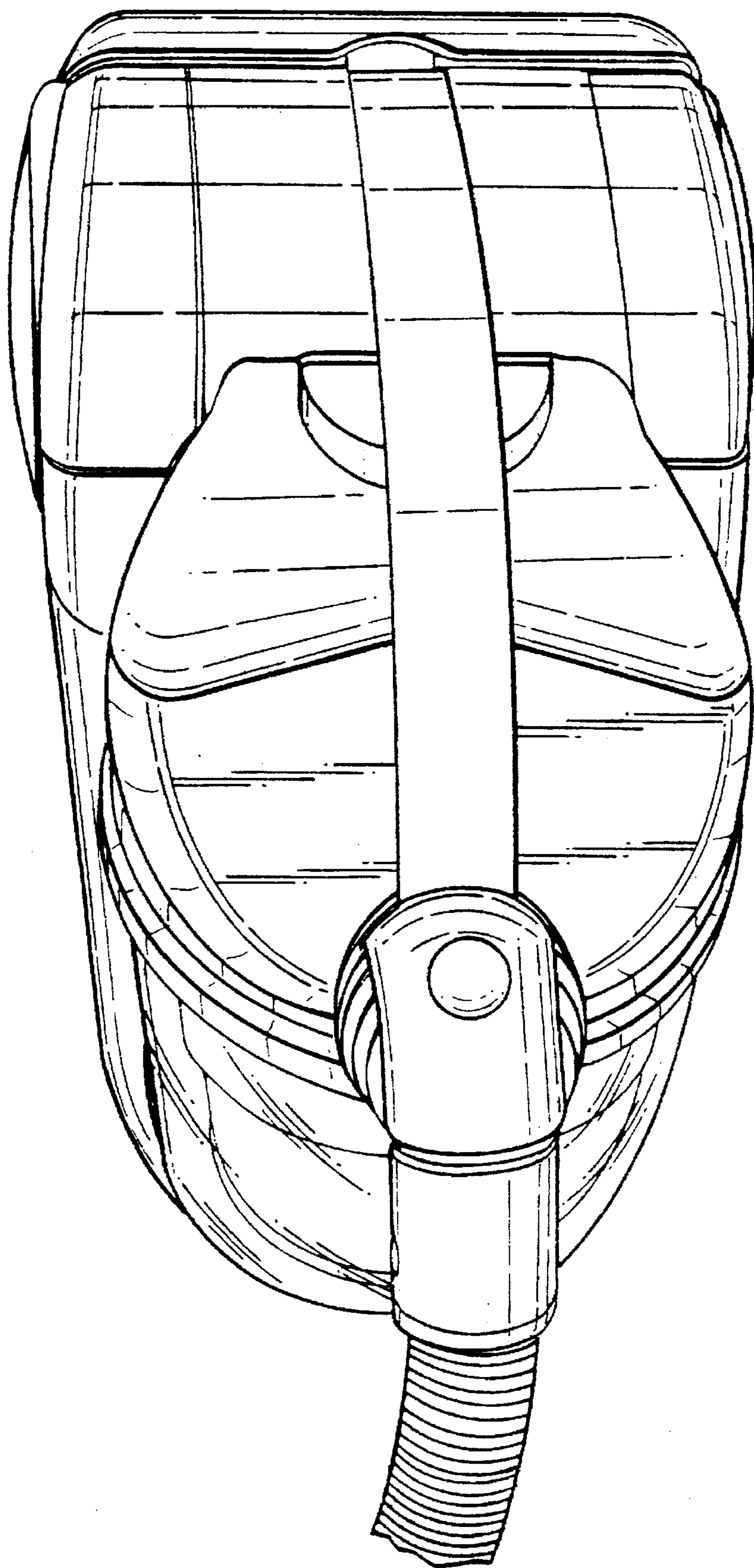


FIG. 4

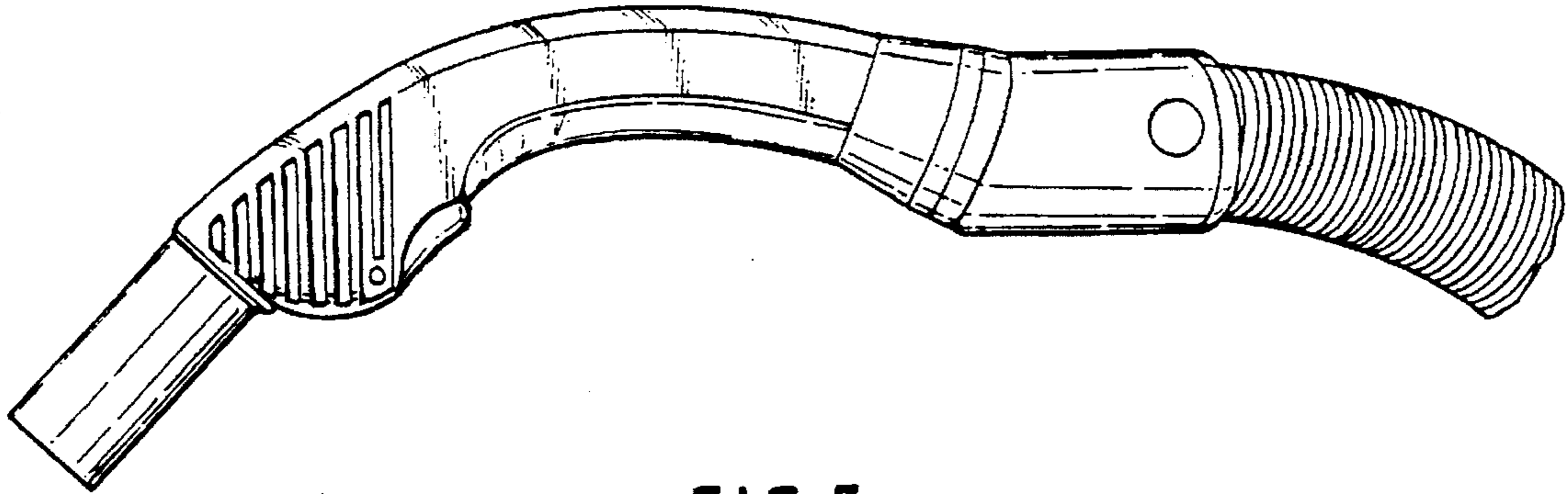


FIG. 5

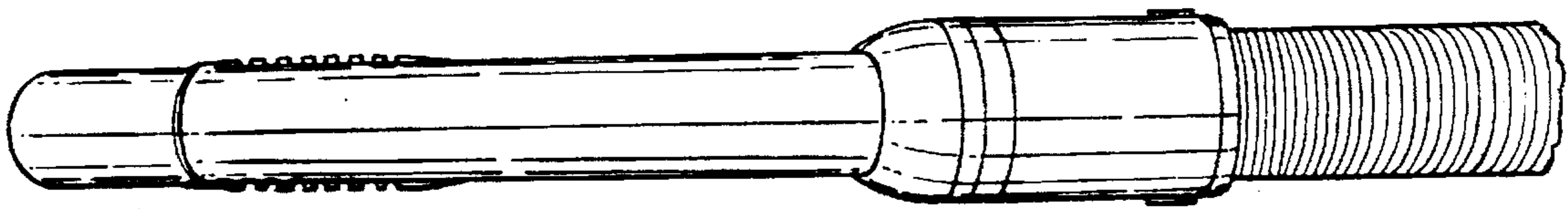


FIG. 6