



US00D382676S

United States Patent [19]
Holbrook

[11] **Patent Number: Des. 382,676**

[45] **Date of Patent: **Aug. 19, 1997**

[54] **FOLDING PET RAMP**

5,096,362 3/1992 Best 14/71.1
5,213,060 5/1993 Sloan et al. 119/847

[76] **Inventor: E. Boyd Holbrook, 4474 Lawrenceville Hwy., Tucker, Ga. 30084**

OTHER PUBLICATIONS

[**] **Term: 14 Years**

Moose Brand Sporting Goods General Catalogue, No. 16-A, Brauere Bros. Mfg. Co., Nov. 17, 1948 Advertisement for Shoe Fitting Stool.

[21] **Appl. No.: 44,830**

Advertisement for "PawsWay" pet ramp and Advertisement for Pet Steps pet ramp Jul. 1992.

[22] **Filed: Oct. 2, 1995**

Collani, Arthur, Fireside Stools, Home Craftsman, Jul.-Aug., 1949, p. 23 Advertisement for "Pet Steps" pet ramp.

[51] **LOC (6) Cl. 30-02**

[52] **U.S. Cl. D30/119; D34/32**

[58] **Field of Search D30/119; D34/28, D34/32; 105/436; 14/69.5, 71.1, 71.3, 71.5; 119/847-849; 414/537; 193/41, 38; 254/88**

Lloyd Chromium Furniture Catalog, Item SFS-45-E.

Primary Examiner—James Gandy

Assistant Examiner—Stacia Sinuik

Attorney, Agent, or Firm—Deveau, Colton & Marquis

[56] **References Cited**

[57] **CLAIM**

U.S. PATENT DOCUMENTS

The ornamental design for folding pet ramp, as shown and described.

D. 87,229	6/1932	McGowen .	
D. 92,703	7/1934	Crego .	
D. 254,813	4/1980	Kossar	D30/40
D. 299,776	2/1989	Canterberry	D34/32
D. 300,073	2/1989	Crump	D34/32
D. 311,798	10/1990	Boots et al.	D34/32
D. 316,771	5/1991	Murray	D34/32
D. 322,872	12/1991	Holbrook	D30/160
D. 338,760	8/1993	Harrah	D34/32
976,666	11/1910	Lucas	14/69.5 X
2,579,797	12/1951	Churchfield et al.	119/1
2,593,319	4/1952	Levitin et al.	5/337
2,639,114	5/1953	Allen	248/147
3,159,141	12/1964	Paterek	119/29
3,173,398	3/1965	Raymond	119/347
3,472,224	10/1969	Ewerwahn	128/87
4,057,031	11/1977	Williams et al.	119/1
4,212,090	7/1980	Ehrlich	5/14
4,294,571	10/1981	Tordella	414/537
4,761,847	8/1988	Savage et al.	14/69.5
4,979,867	12/1990	Best	14/71.1 X

DESCRIPTION

FIG. 1 is a perspective view of a folding pet ramp showing my new design;
FIG. 2 is a front elevation view of the folding pet ramp of FIG. 1;
FIG. 3 is a rear elevation view of the folding pet ramp of FIG. 1;
FIG. 4 is a right side view of the folding pet ramp of FIG. 1;
FIG. 5 is a left side view of the folding pet ramp of FIG. 1;
FIG. 6 is a bottom view of the folding pet ramp of FIG. 1; and,
FIG. 7 is a top view of the folding pet ramp of FIG. 1.
The broken line showing of environment is for illustrative purposes only and forms no part of the claimed design.

1 Claim, 2 Drawing Sheets

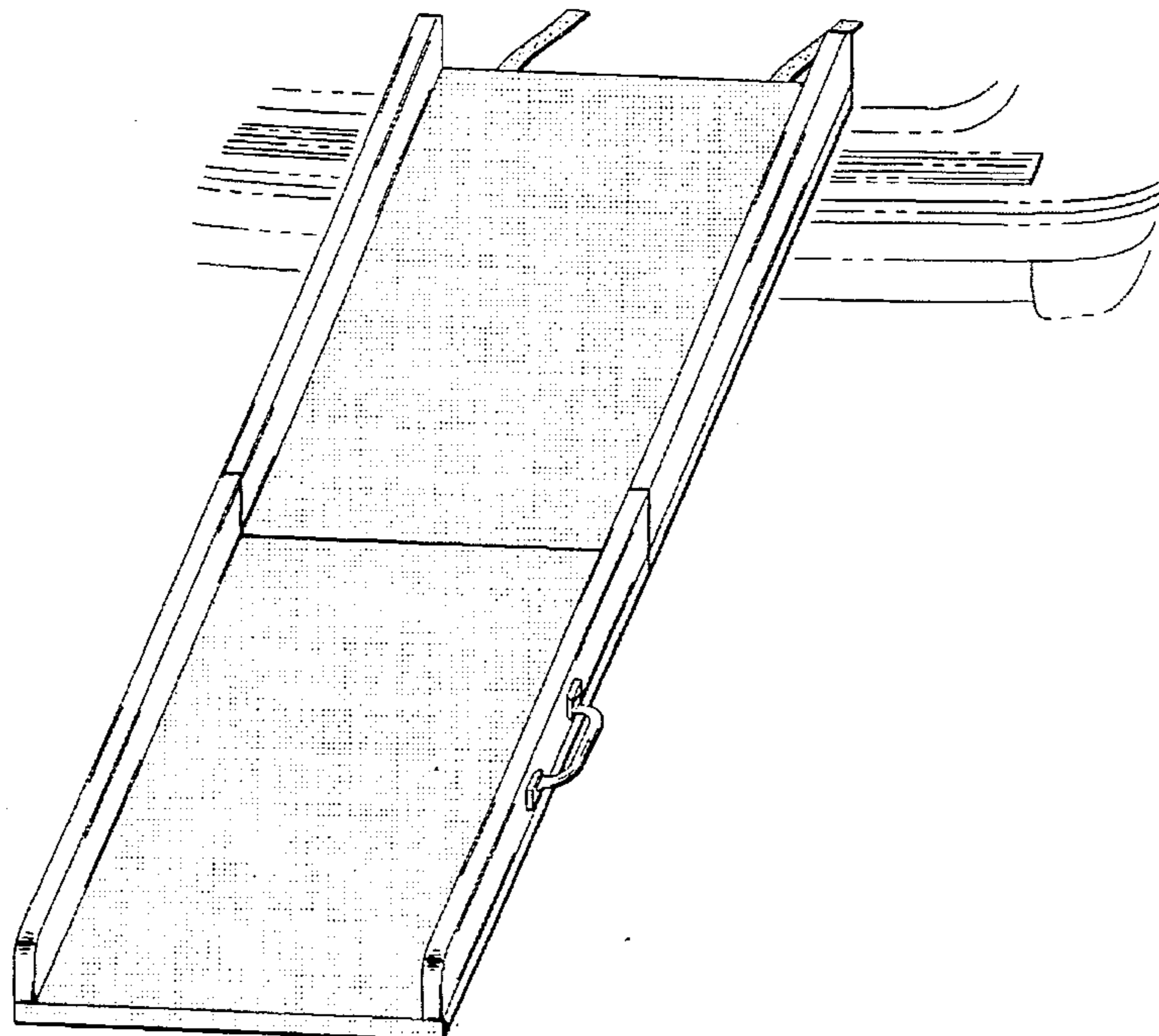




FIG. 2



FIG. 3

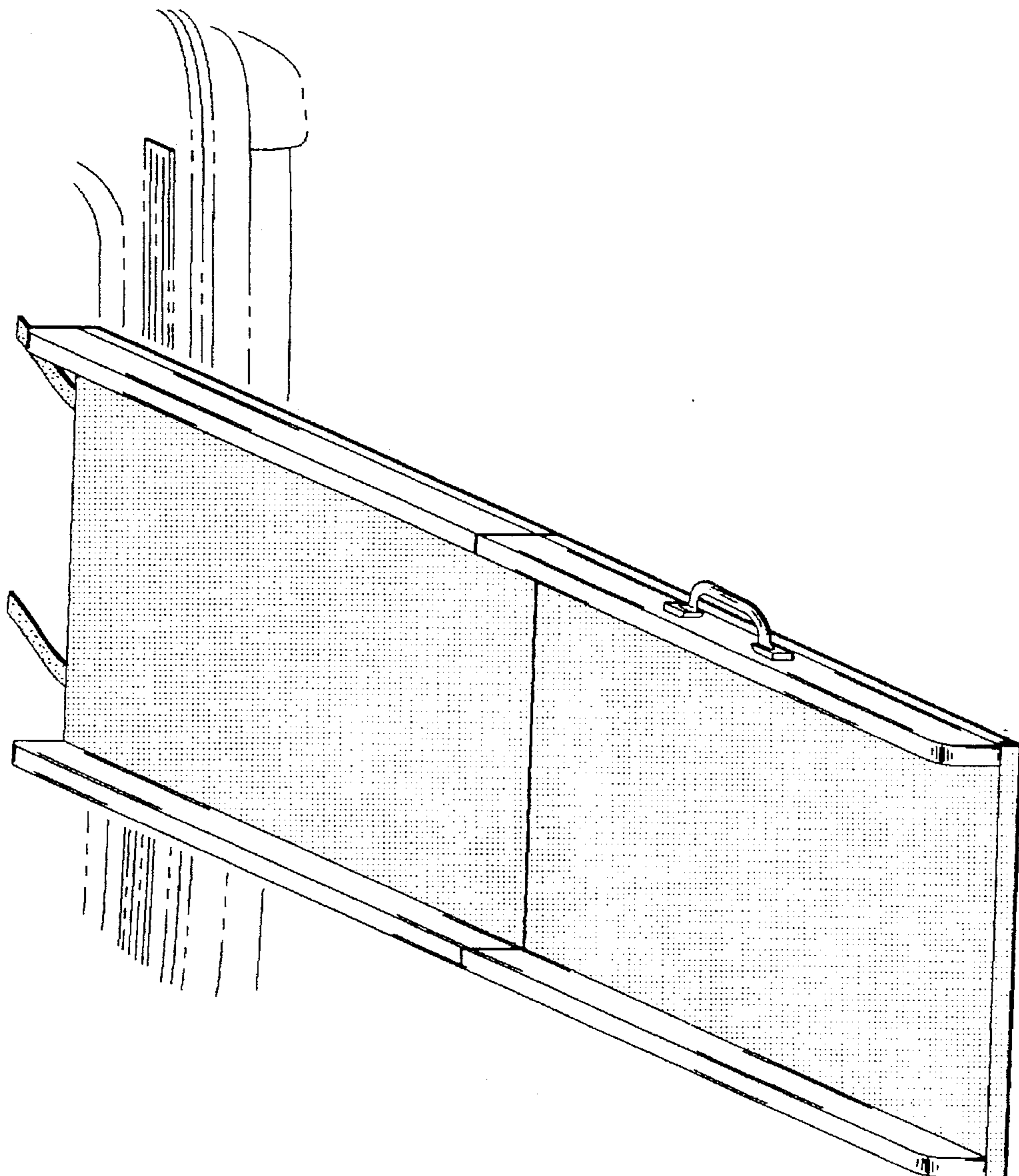


FIG. 1

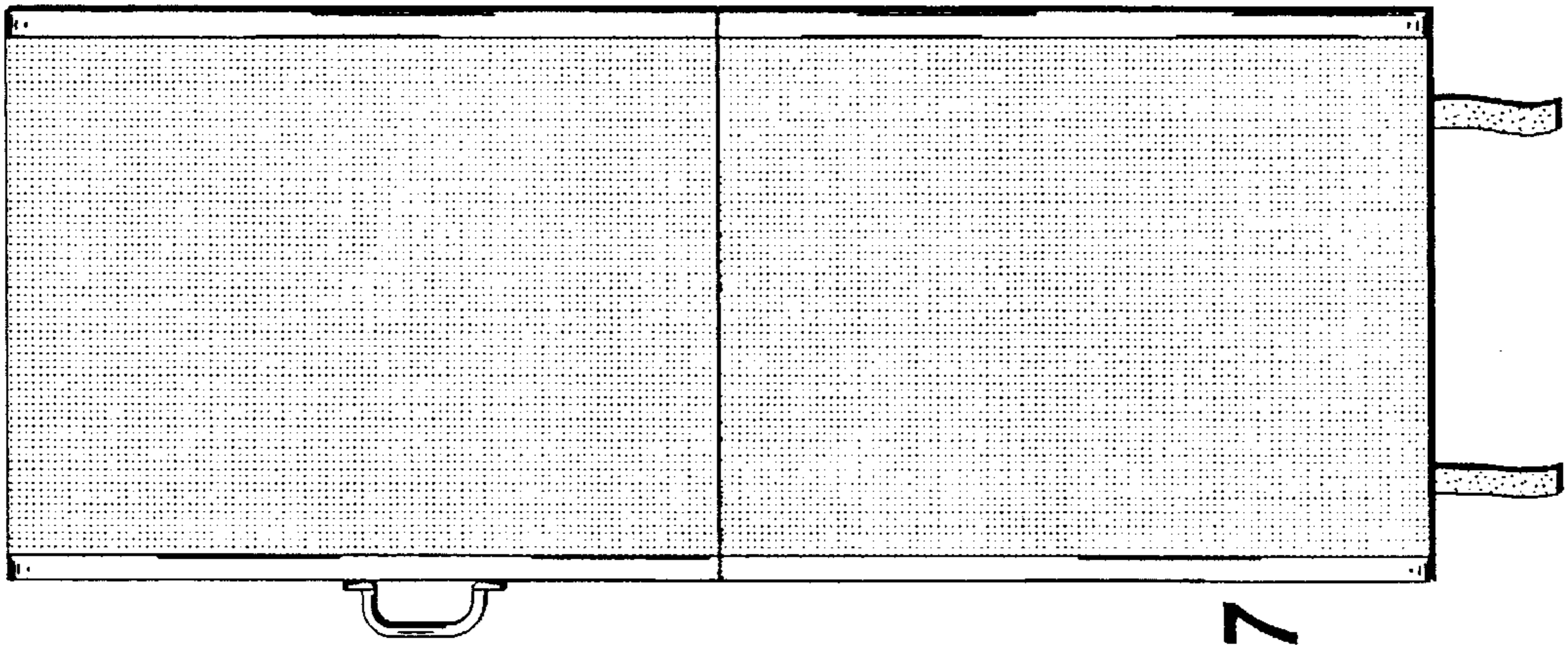


FIG. 7

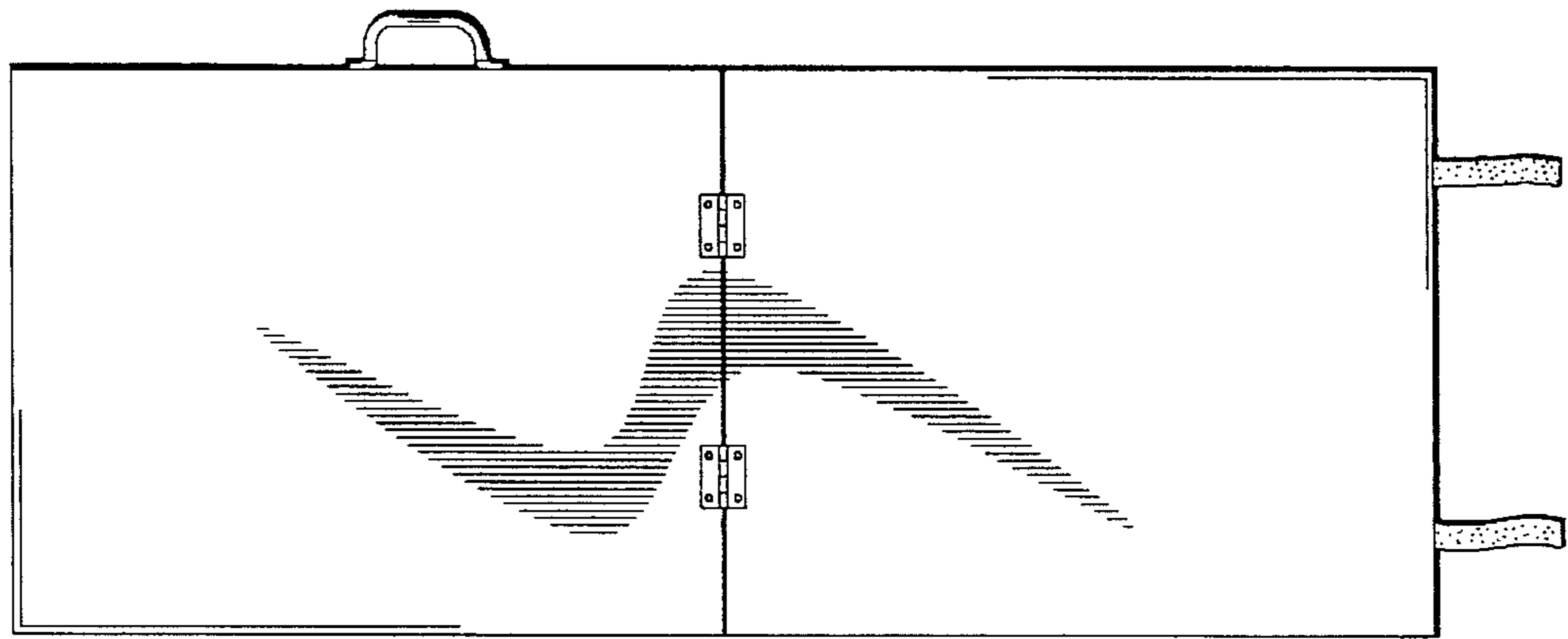


FIG. 6

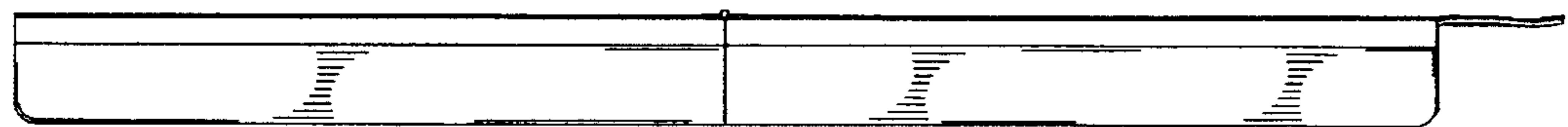


FIG. 5



FIG. 4