



US00D382667S

United States Patent [19]
Buhrfiend et al.

[11] **Patent Number: Des. 382,667**
[45] **Date of Patent: **Aug. 19, 1997**

[54] **LAMP BASE**

[76] **Inventors: Timothy R. Buhrfiend; Richard M. Buhrfiend; Carol A. Buhrfiend**, all of 301 Chandler Ave., Elmhurst, Ill. 60126

[**] **Term: 14 Years**

[21] **Appl. No.: 44,281**

[22] **Filed: Sep. 21, 1995**

[51] **LOC (6) Cl. 26-05**

[52] **U.S. Cl. D26/94**

[58] **Field of Search** D26/92, 94, 102-112; 362/410-414, 806; D11/157; D7/533, 538, 543, 545, 536

[56] **References Cited**

U.S. PATENT DOCUMENTS

D. 78,873 7/1929 Bernholtz D26/106
3,373,964 3/1968 Bunders 362/414

OTHER PUBLICATIONS

Bonner's Gifts, Nov. 29, 1949, p. 14, Table Lamp #225.

Primary Examiner—Susan J. Lucas

Attorney, Agent, or Firm—Emrich & Dithmar

[57] **CLAIM**

The ornamental design for a lamp base, as shown and described.

DESCRIPTION

FIG. 1 is a front elevational view of a lamp base incorporating the inventive design, the lamp shade being shown in broken line for illustrative purposes only and forming no part of the claimed design;

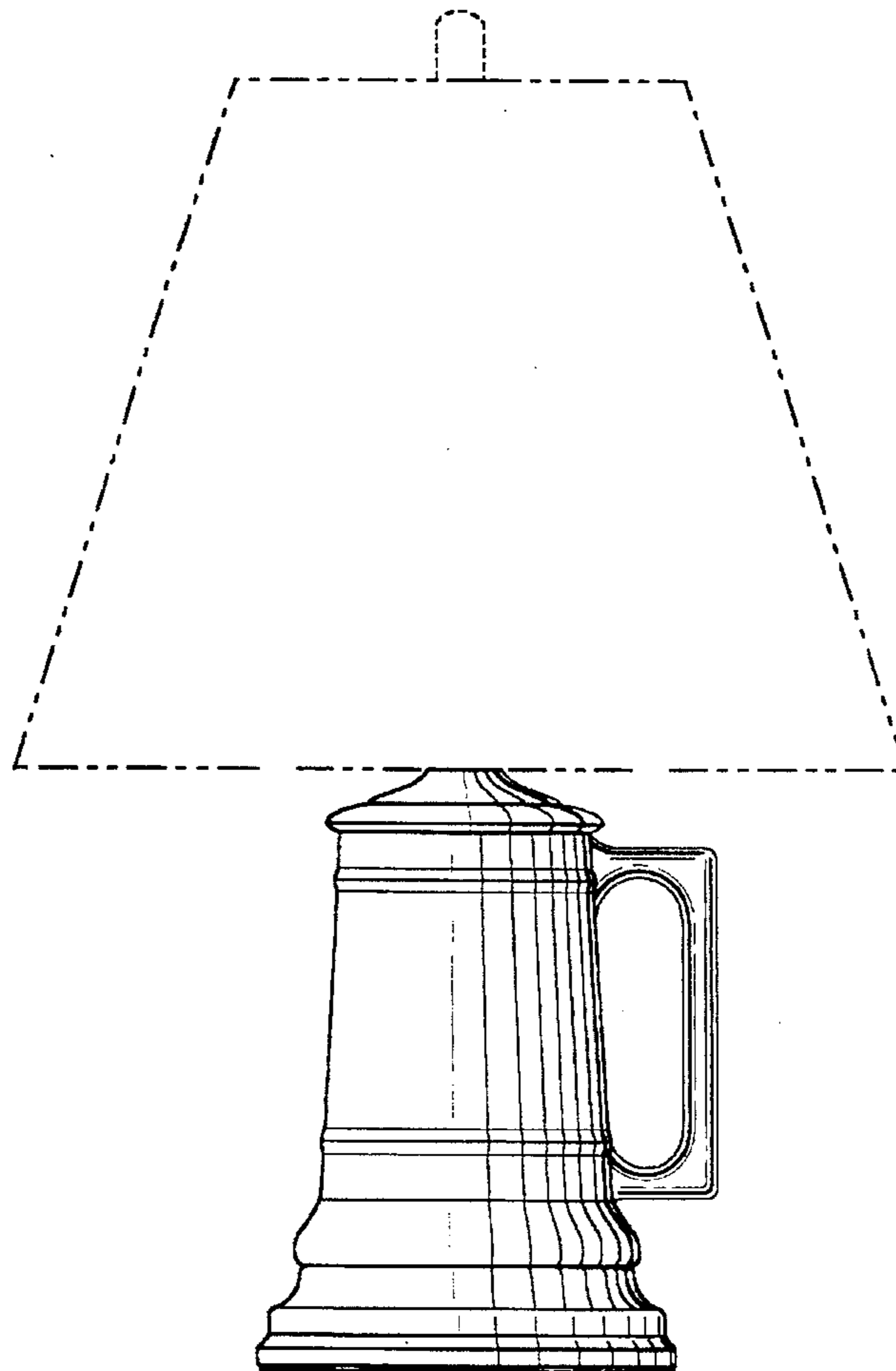
FIG. 2 is a right-side view of the lamp base shown in FIG. 1;

FIG. 3 is a left-side view of the lamp base shown in FIG. 1; and,

FIG. 4 is a top view of the lamp base shown in FIG. 1.

The rear view of the inventive design is a mirror image of the design illustrated in FIG. 1, and the bottom of the lamp base is unadorned.

1 Claim, 1 Drawing Sheet



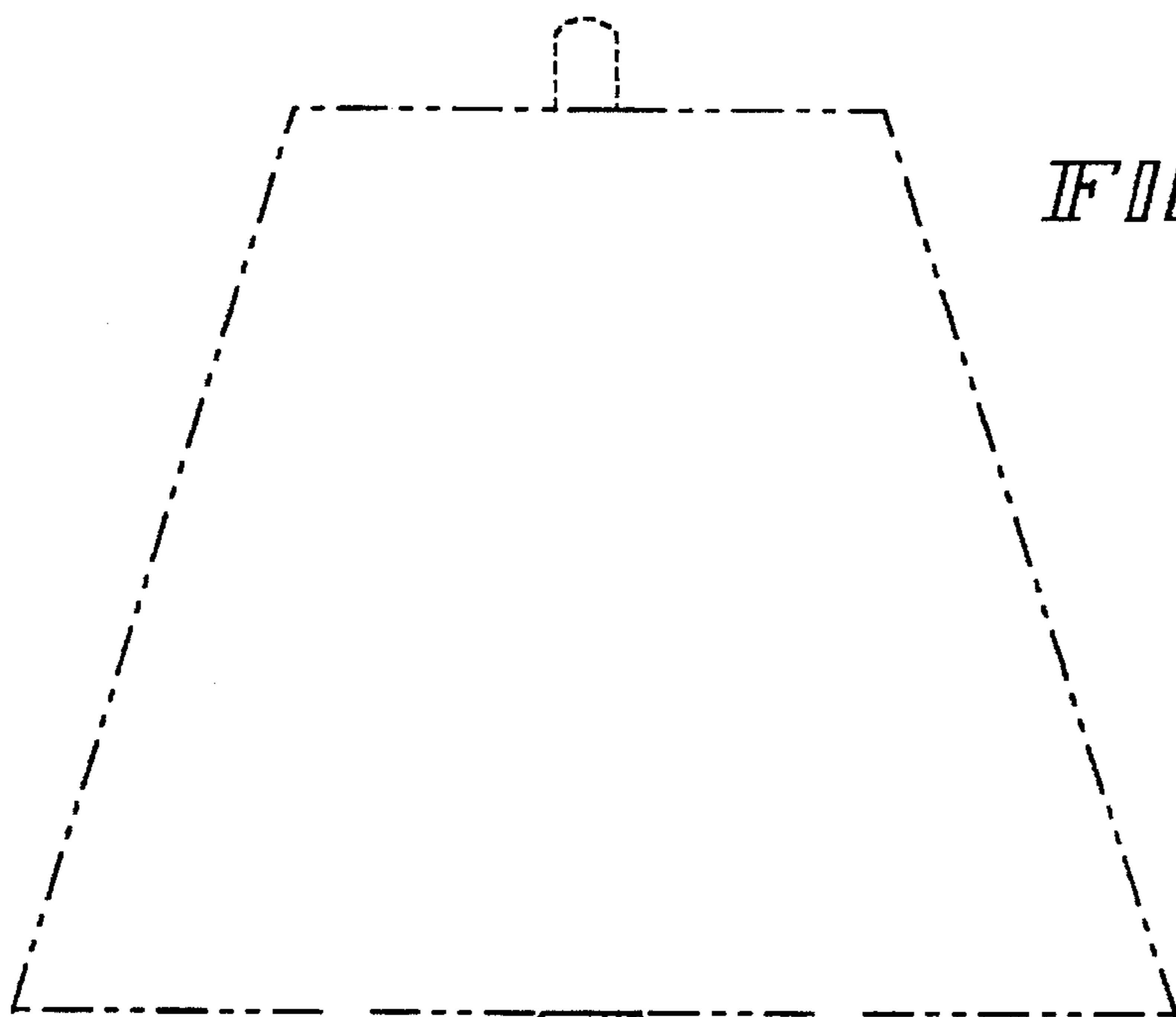


FIG. 1

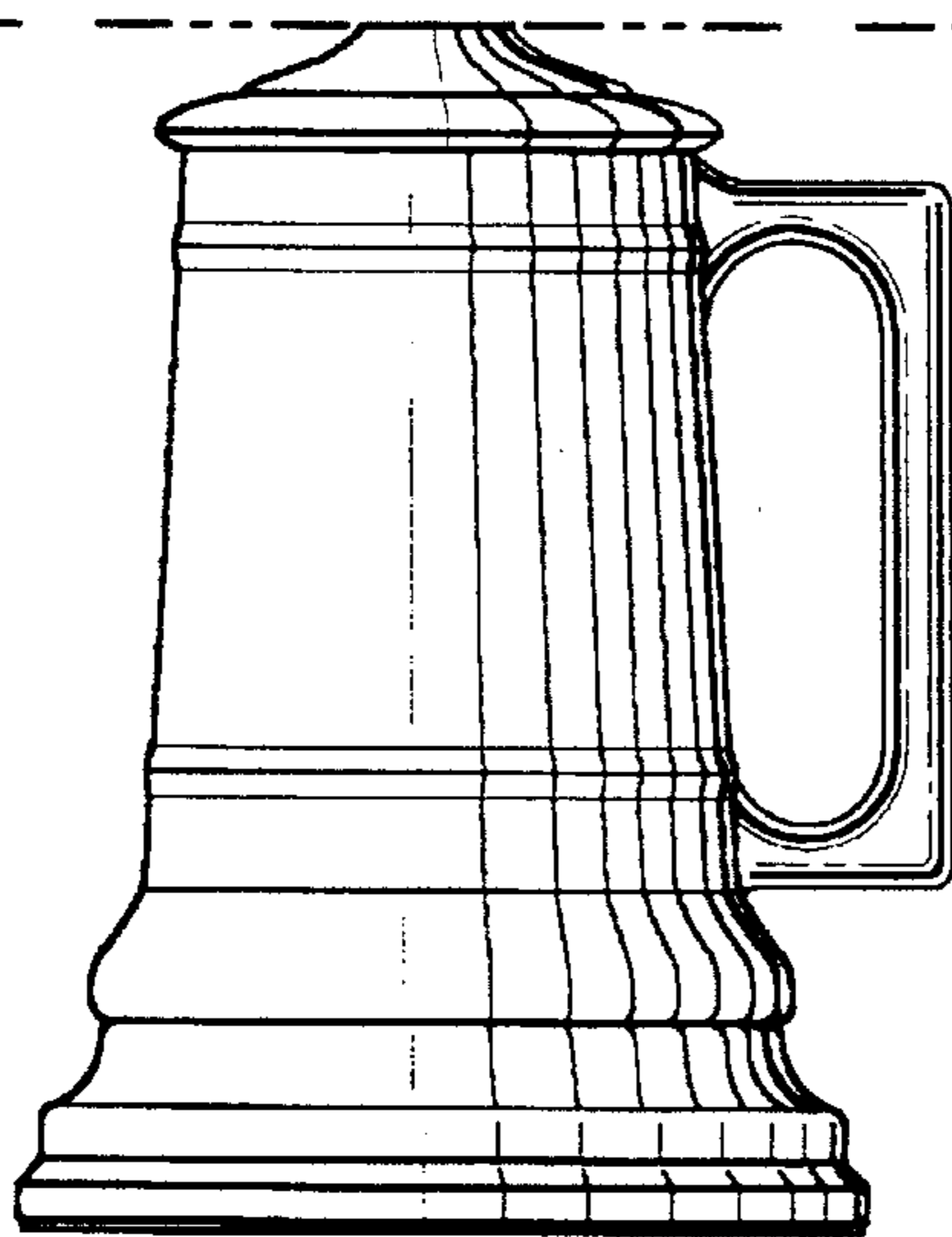


FIG. 2

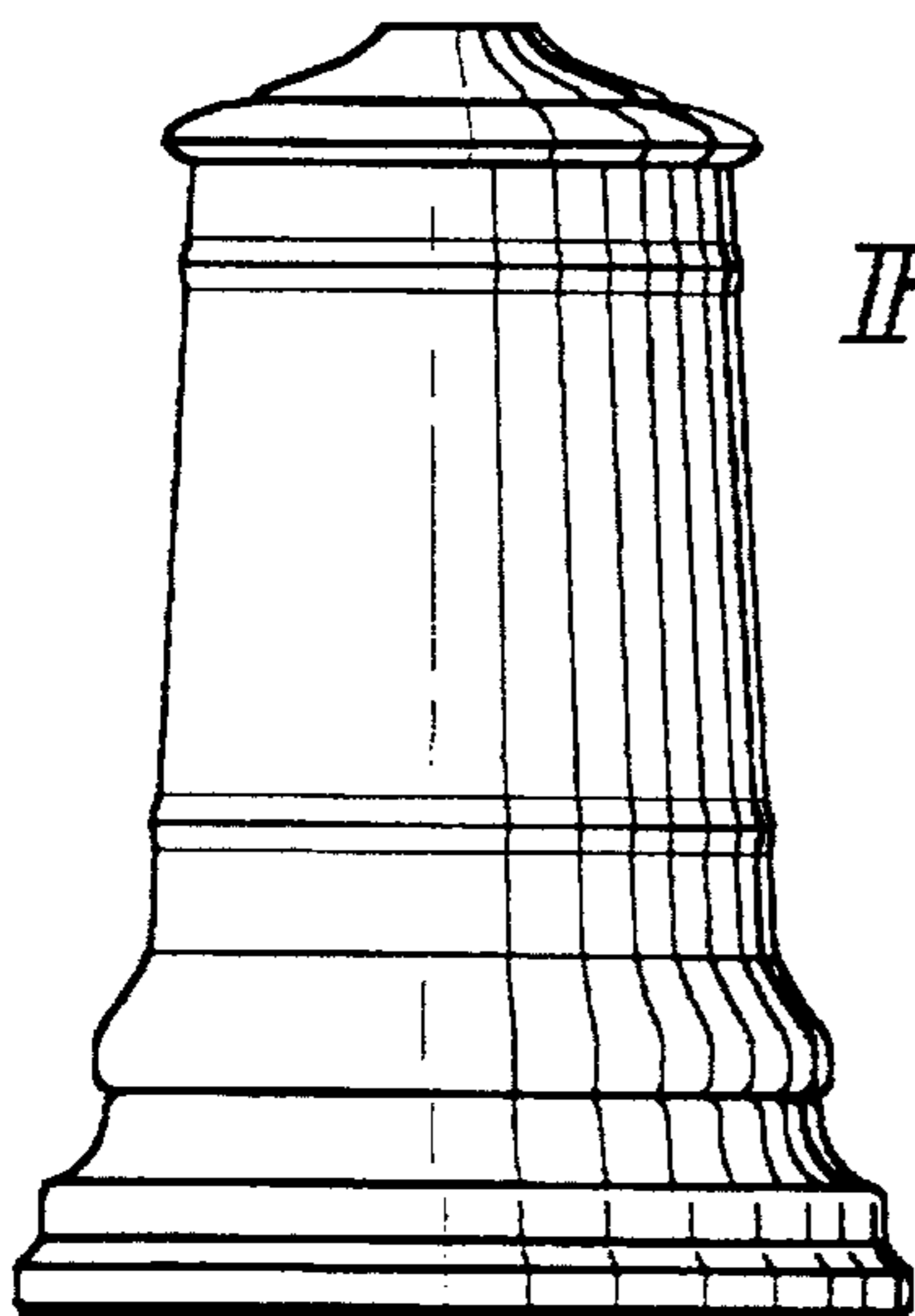
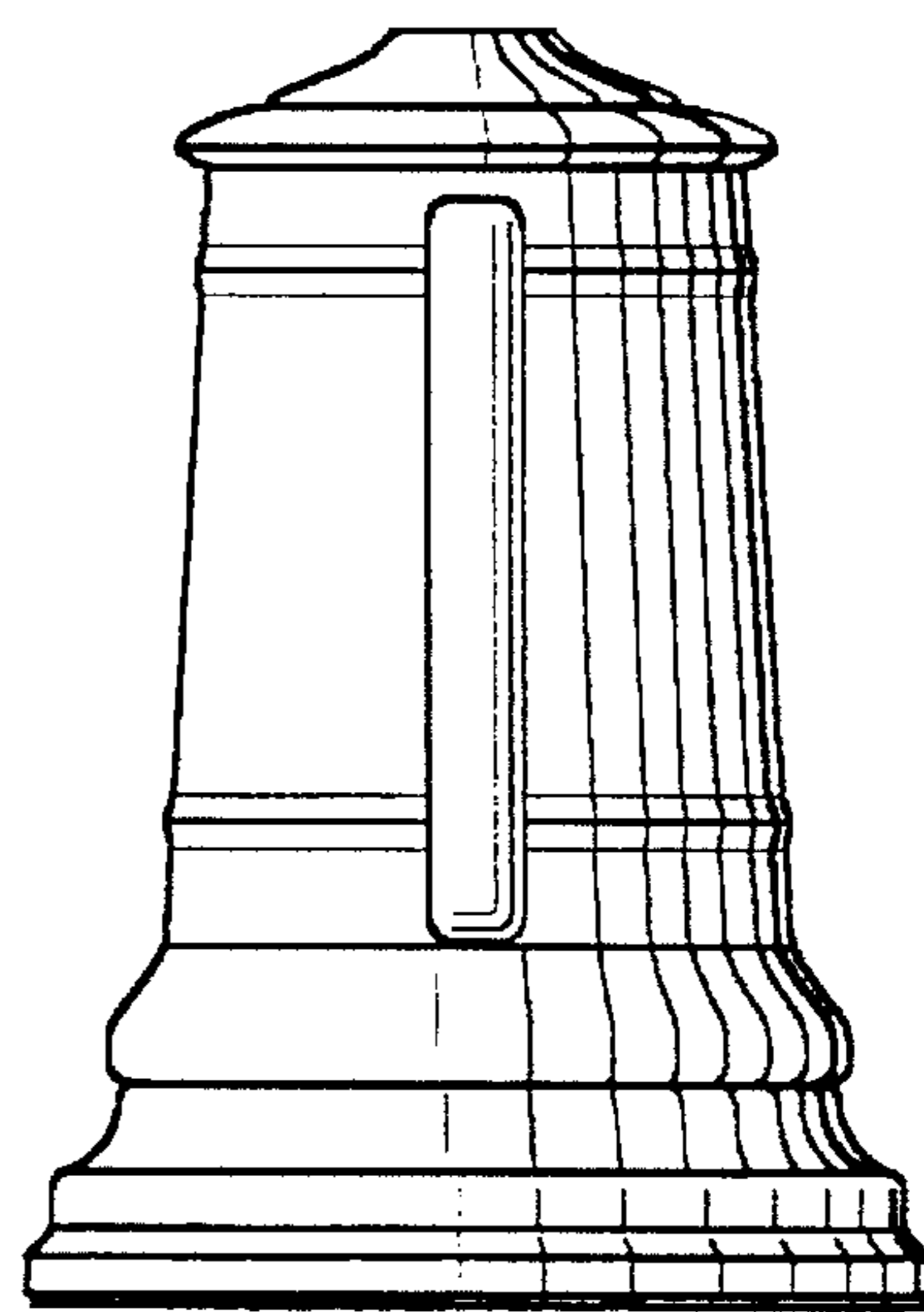


FIG. 3

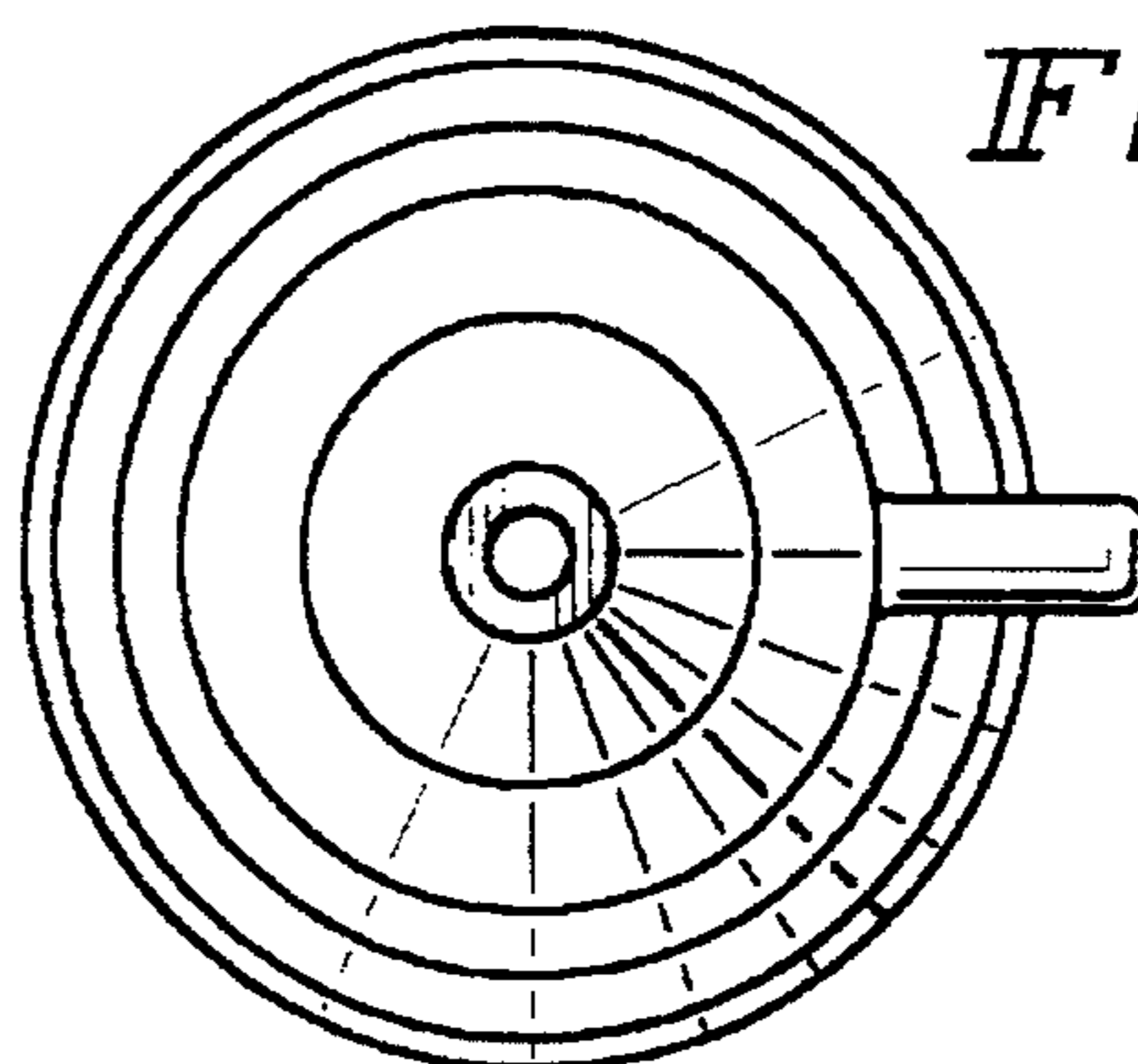


FIG. 4