



US00D382664S

United States Patent [19] Benghozi

[11] Patent Number: Des. 382,664

[45] Date of Patent: **Aug. 19, 1997

[54] CHANDELIER

[75] Inventor: Simon Benghozi, Montreal, Canada

[73] Assignee: Bazz Inc., Montreal, Canada

[**] Term: 14 Years

[21] Appl. No.: 27,657

[22] Filed: Aug. 26, 1994

[51] LOC (6) Cl. 26-05

[52] U.S. Cl. D26/81

[58] Field of Search D26/72, 80-92;
362/147, 404-408

[56] References Cited

U.S. PATENT DOCUMENTS

D. 358,901	5/1995	Benghozi	D26/81
1,741,408	12/1929	Doane et al.	362/405
2,804,542	8/1957	Siegel	362/405

OTHER PUBLICATIONS

New Metal Crafts, Inc, Lighting Design Collection 1, p. 7, Chandelier #1337.

Progress Lighting Ideas Book, ©1990, p. 17, Chandelier TC4105-10.

Primary Examiner—Susan A. Lucas
Attorney, Agent, or Firm—Mila Shvartsman

[57] CLAIM

The ornamental design for a chandelier, as shown and described.

DESCRIPTION

FIG. 1 is a perspective view of a chandelier for lightbulbs with three branches showing my new design;

FIG. 2 is a front view of FIG. 1;

FIG. 3 is a bottom view of FIG. 1;

FIG. 4 is a perspective view of the first variant of the chandelier as in FIG. 1 with six branches;

FIG. 5 is a front view of FIG. 4;

FIG. 6 is a bottom view of FIG. 4;

FIG. 7 is a perspective view of the second variant of the chandelier as in FIG. 1 with lampshades;

FIG. 8 is a front view of FIG. 7;

FIG. 9 is a bottom view of FIG. 7;

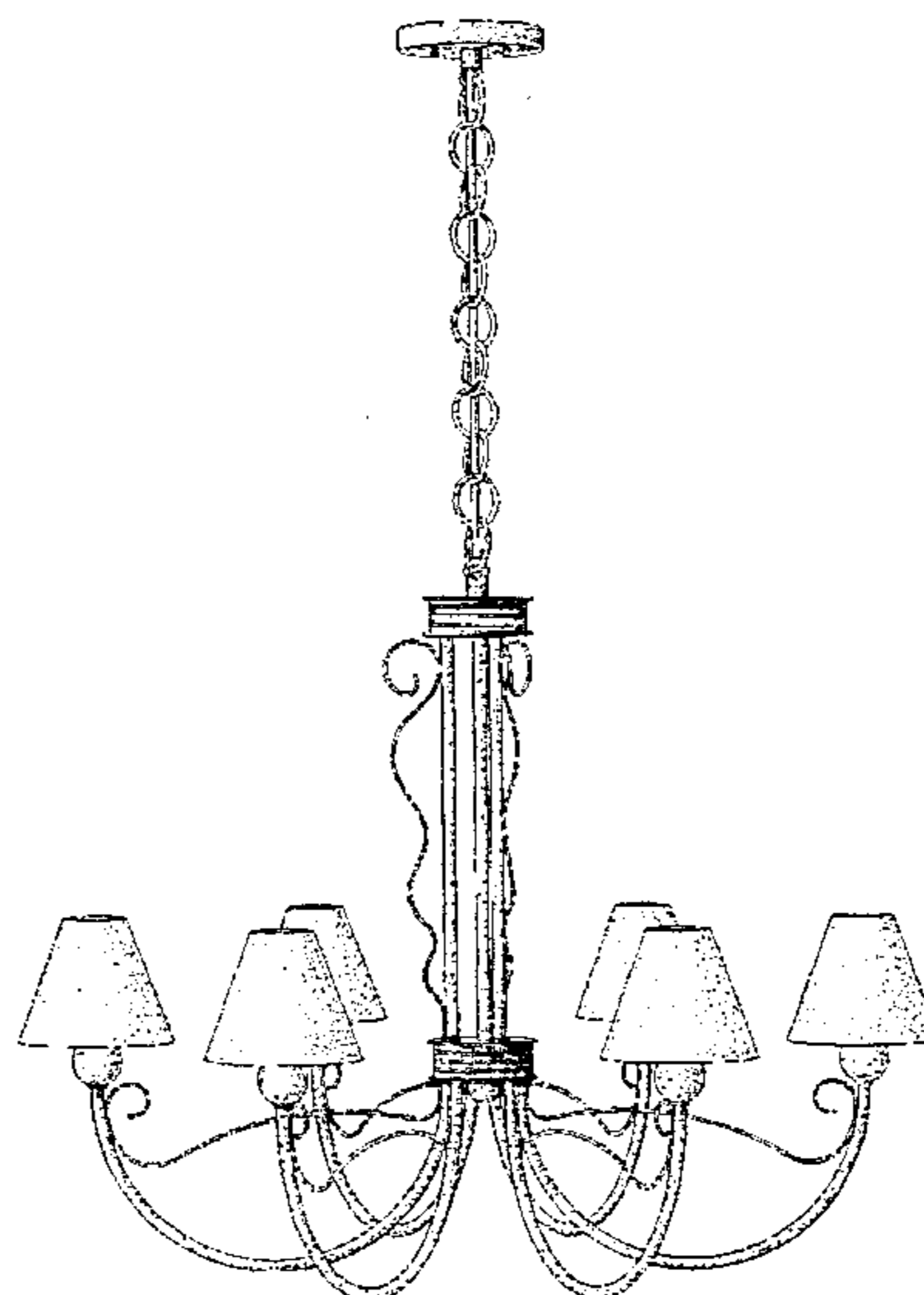
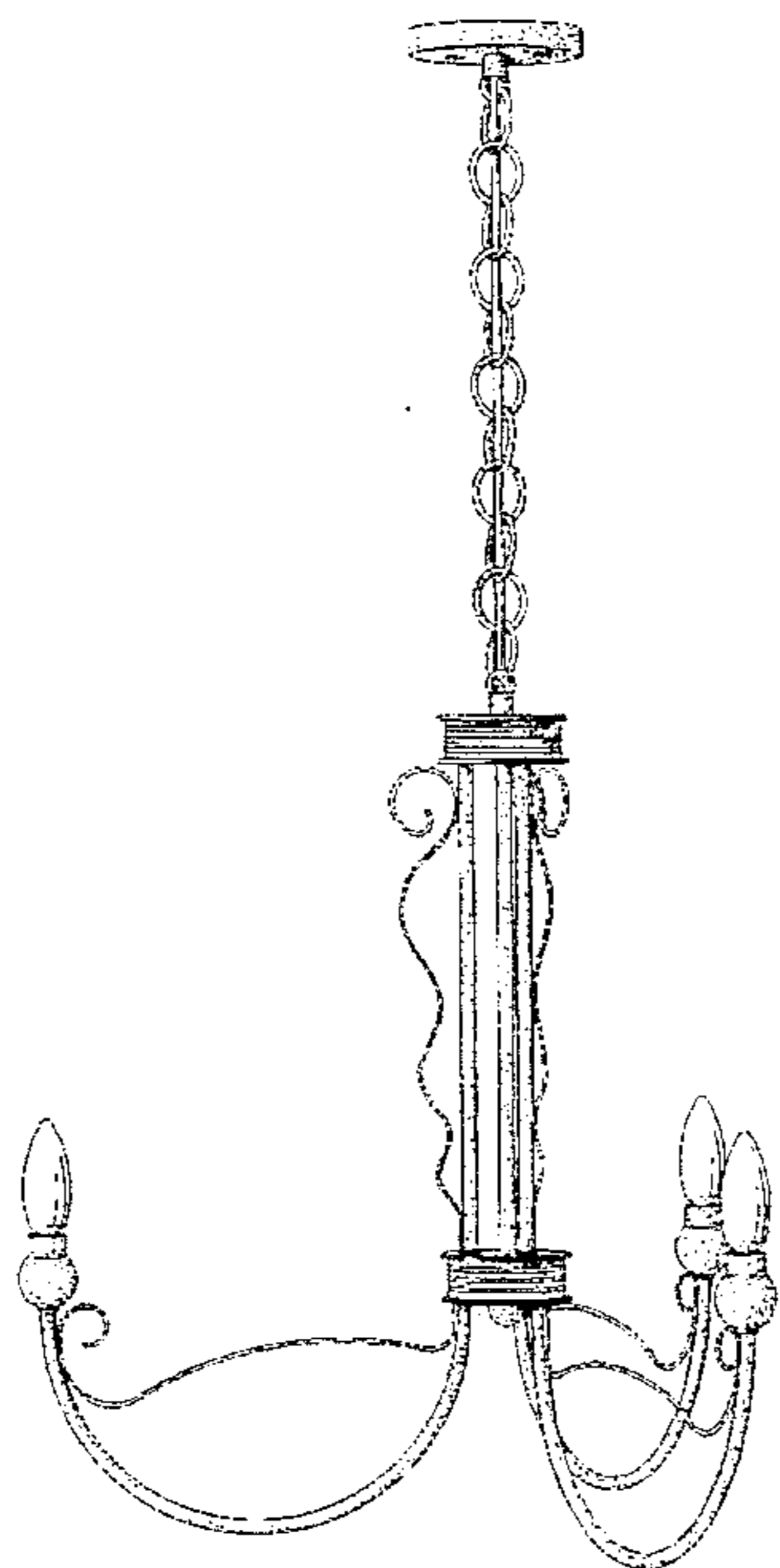
FIG. 10 is a perspective view of the third variant of the chandelier as in FIG. 4 with lampshades;

FIG. 11 is a front view of FIG. 10; and,

FIG. 12 is a bottom view of FIG. 10.

A chandelier with three branches comprising a disk-shaped ceiling mount, and a descending chain connecting to a central stem, from the bottom of which protrude three branches having the shape of the bottom half of a circle. These branches are placed at equal distances from each other, ie. at 120 degrees to each other (60 degrees in FIGS. 7 and 10). At the top and bottom of the central stem, there are reel-shaped elements; the chain is attached to the top element, and said branches are attached to the bottom element. The central stem comprises four columns: one in the center, and one for each branch (one for every second branch in FIGS. 7 and 10). Beside each of the columns for the branches, a wavy segment or portion is attached, made of thinner material than that of the columns. This wavy segment or portion runs from the bottom reel-shaped element to the top element, the top of each segment or portion curved outwards in a spiral-like manner. A substantially 3/4 spherical mounting for cone-shaped lightbulbs is located at the end of each branch. In FIGS. 7 and 10, a frustum right circular cone-shapes lampshade covers each lightbulb. An ornamental segment or portion extends from the bottom reel-shaped element of the stem to each of the mountings, forming a substantially convex configuration at the center between the stem and the mounting, and curved inwards at the mounting in a spiral-like manner.

1 Claim, 8 Drawing Sheets



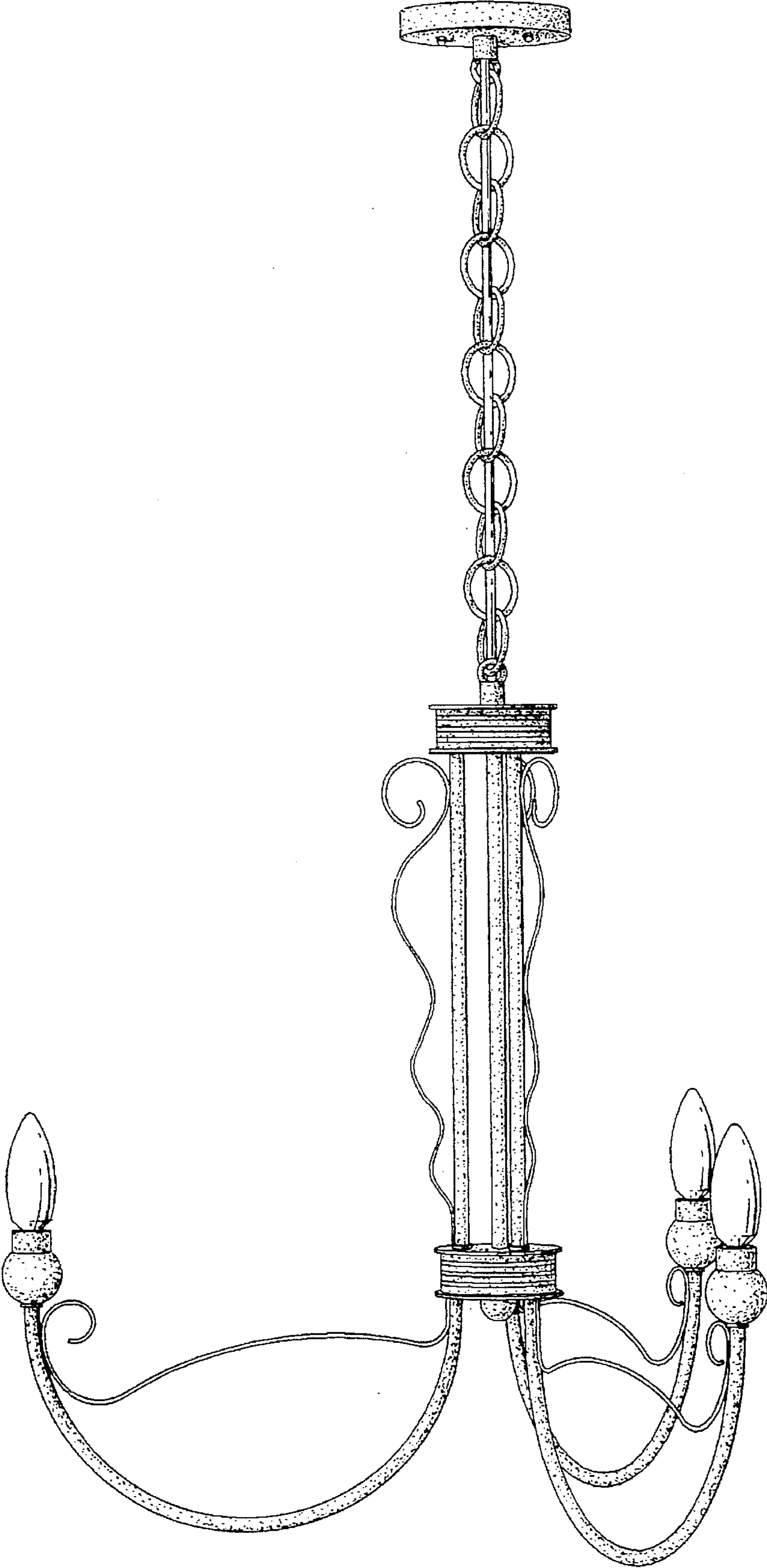


Fig-1

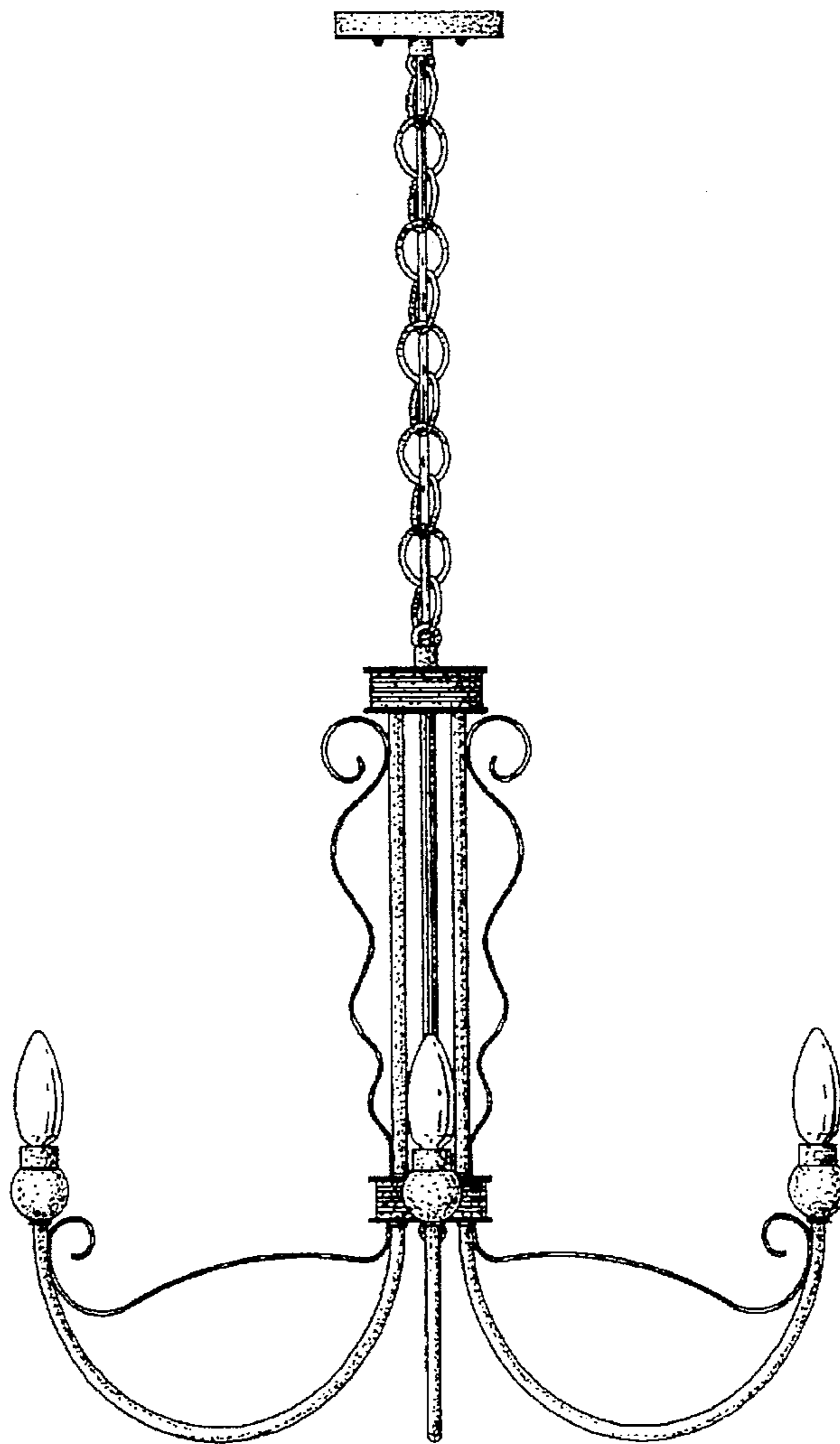


Fig- 2

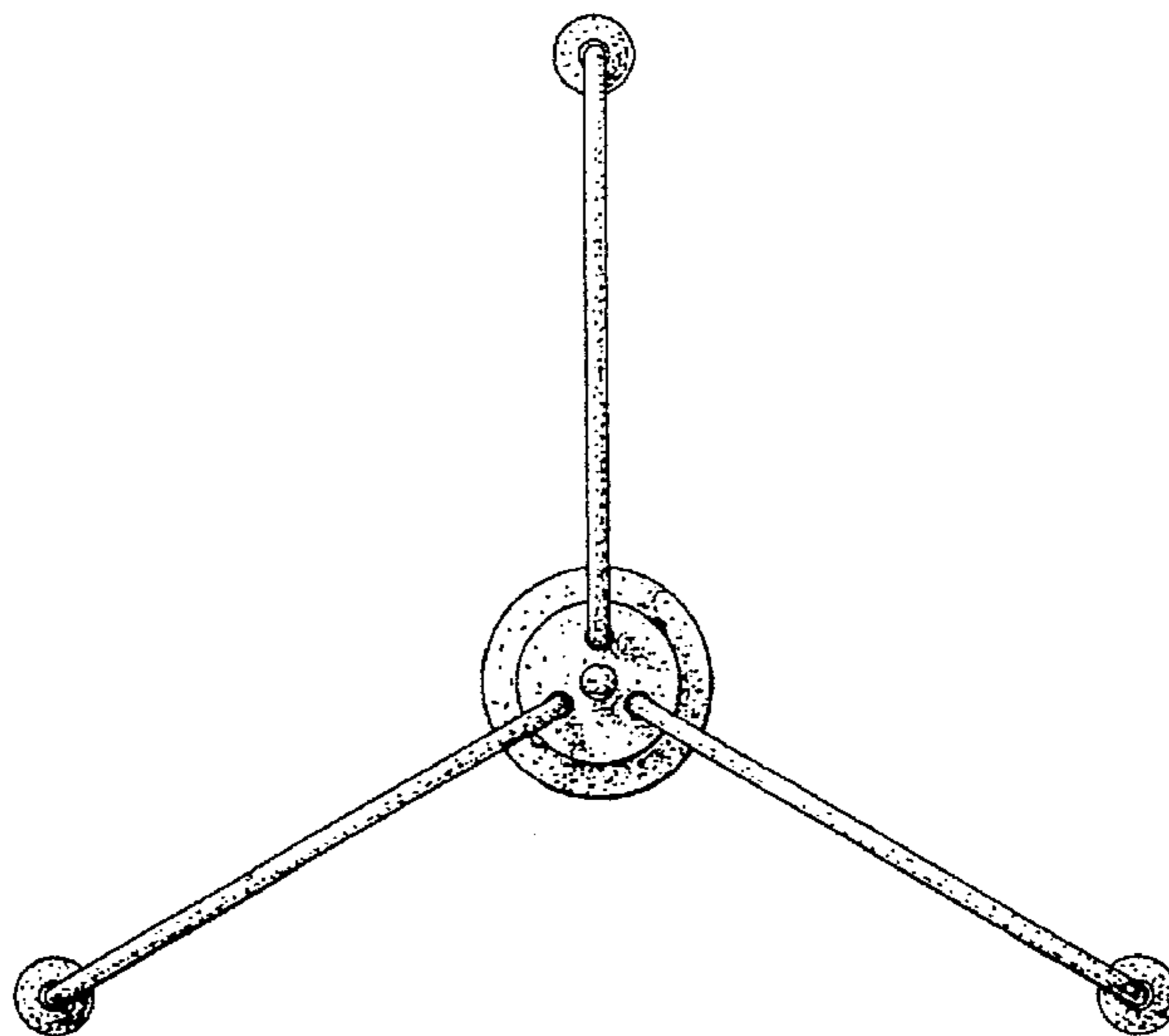


Fig- 3

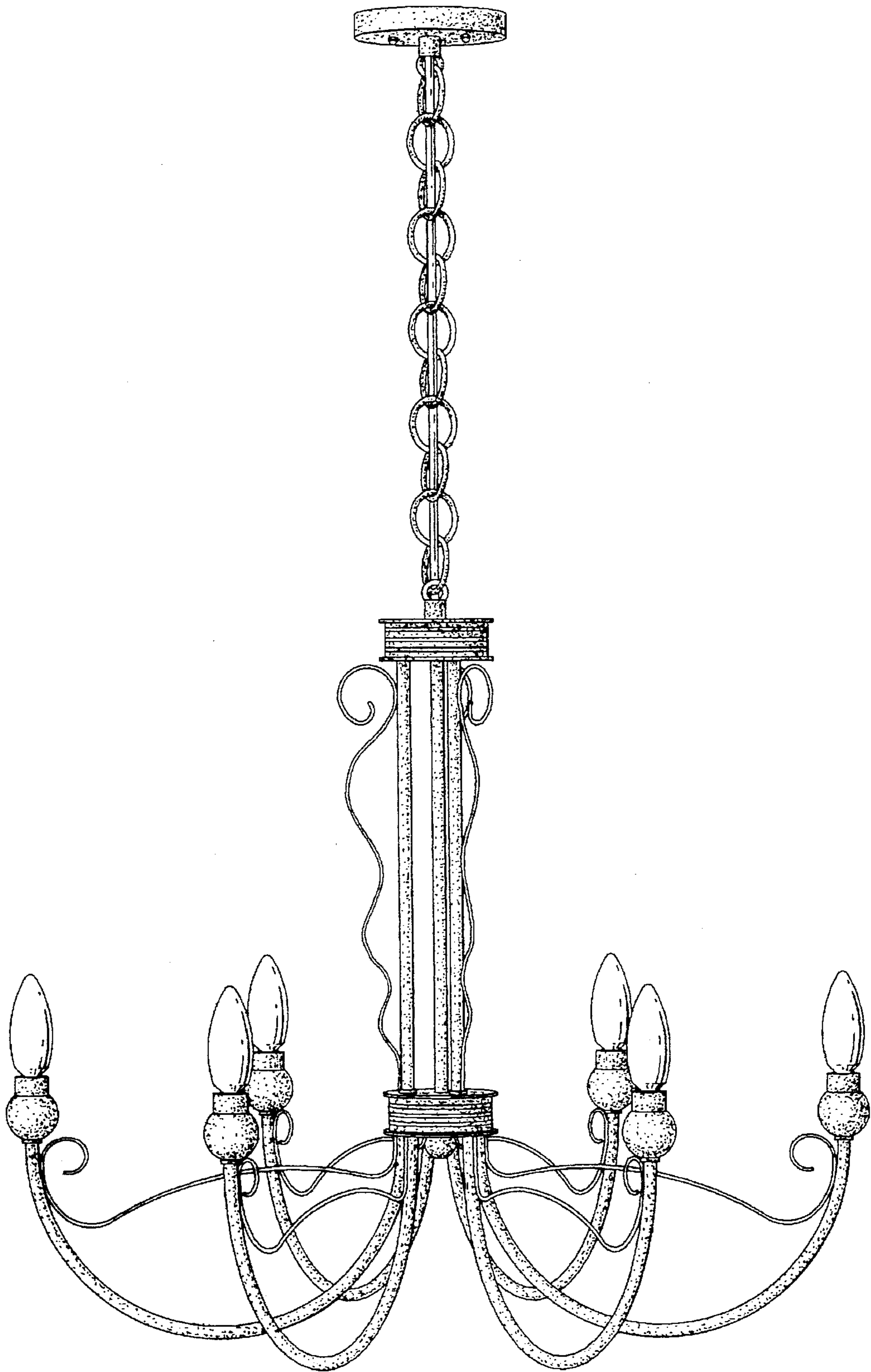


Fig- 4

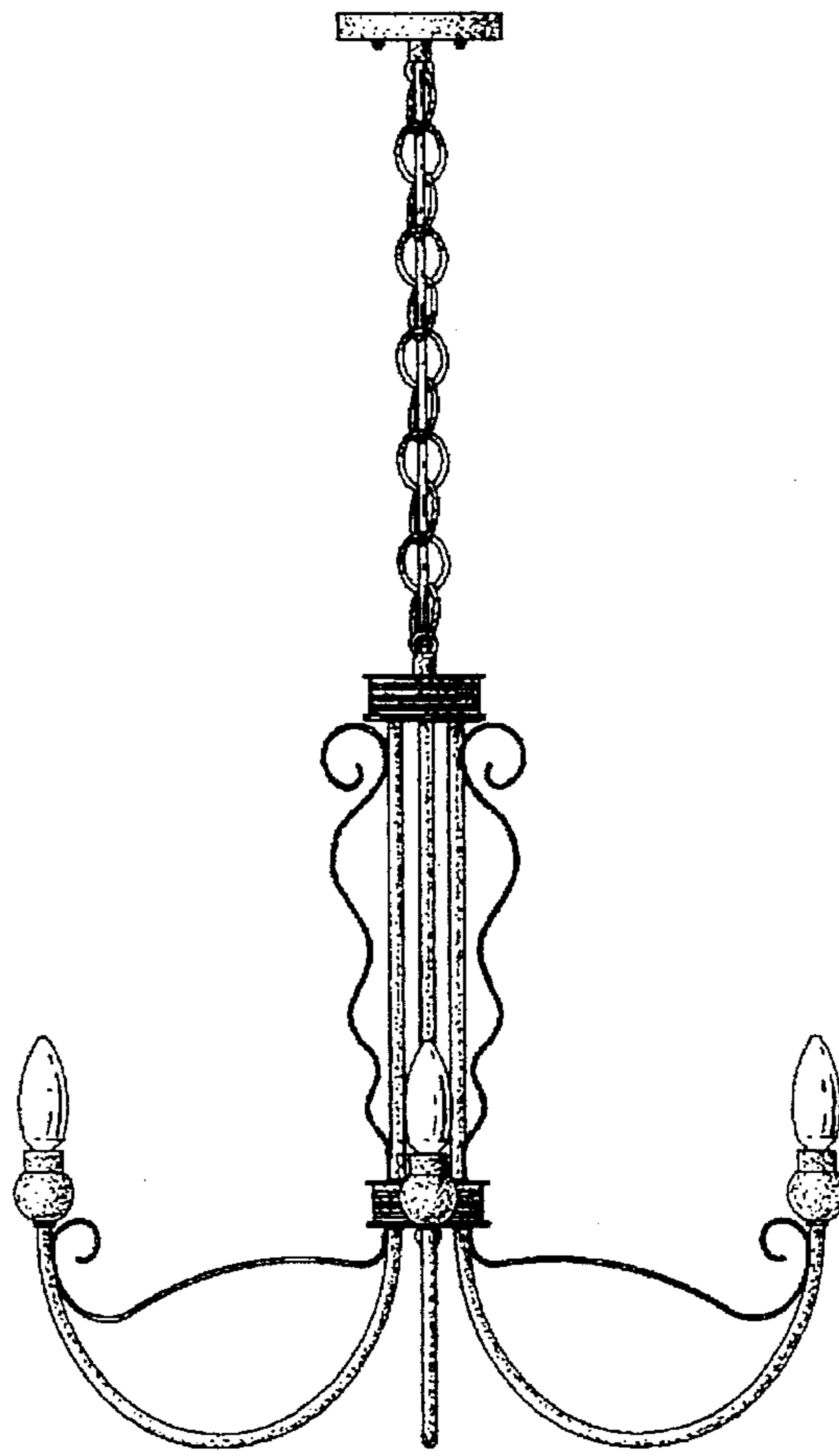


Fig- 5

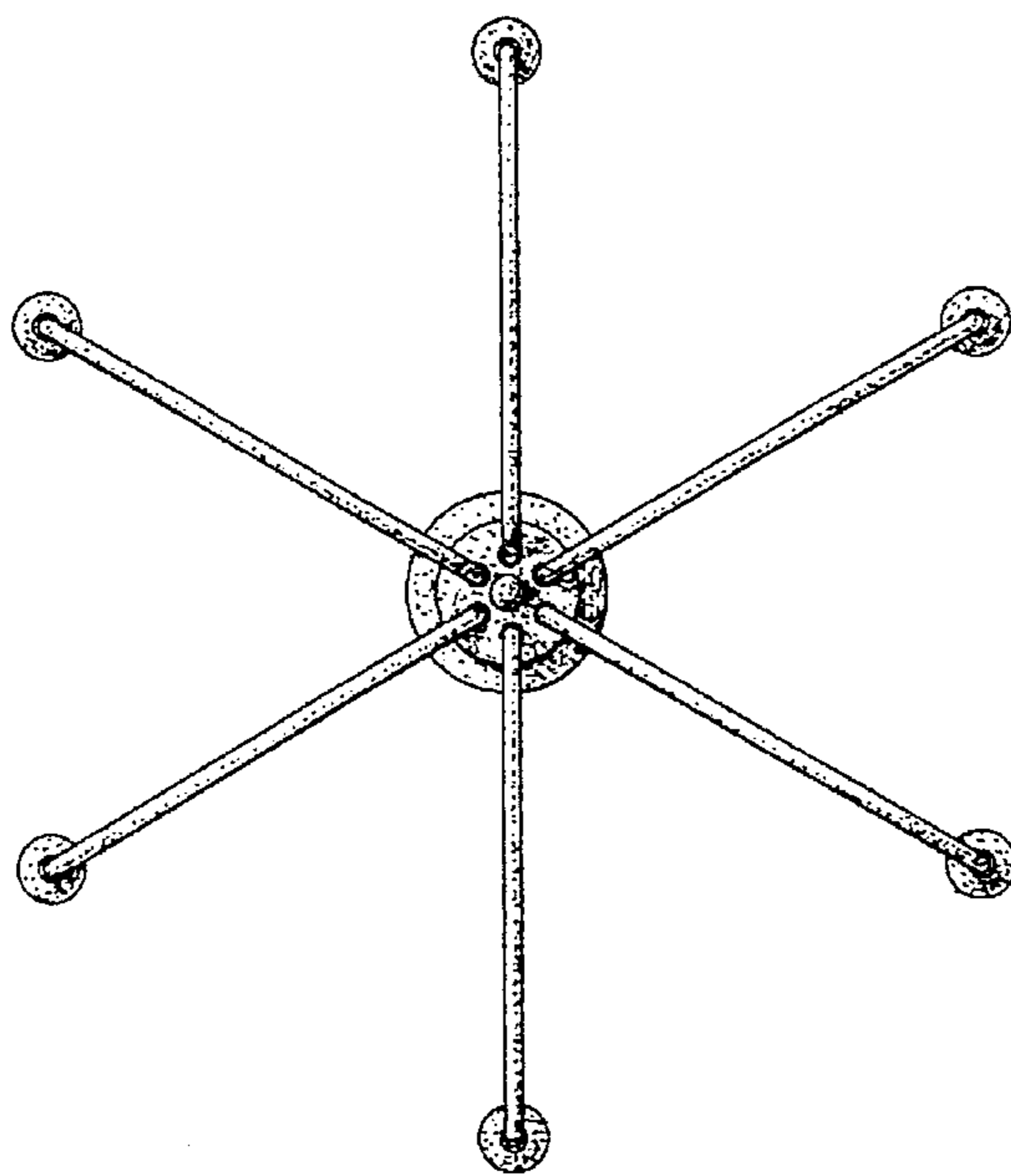


Fig- 6

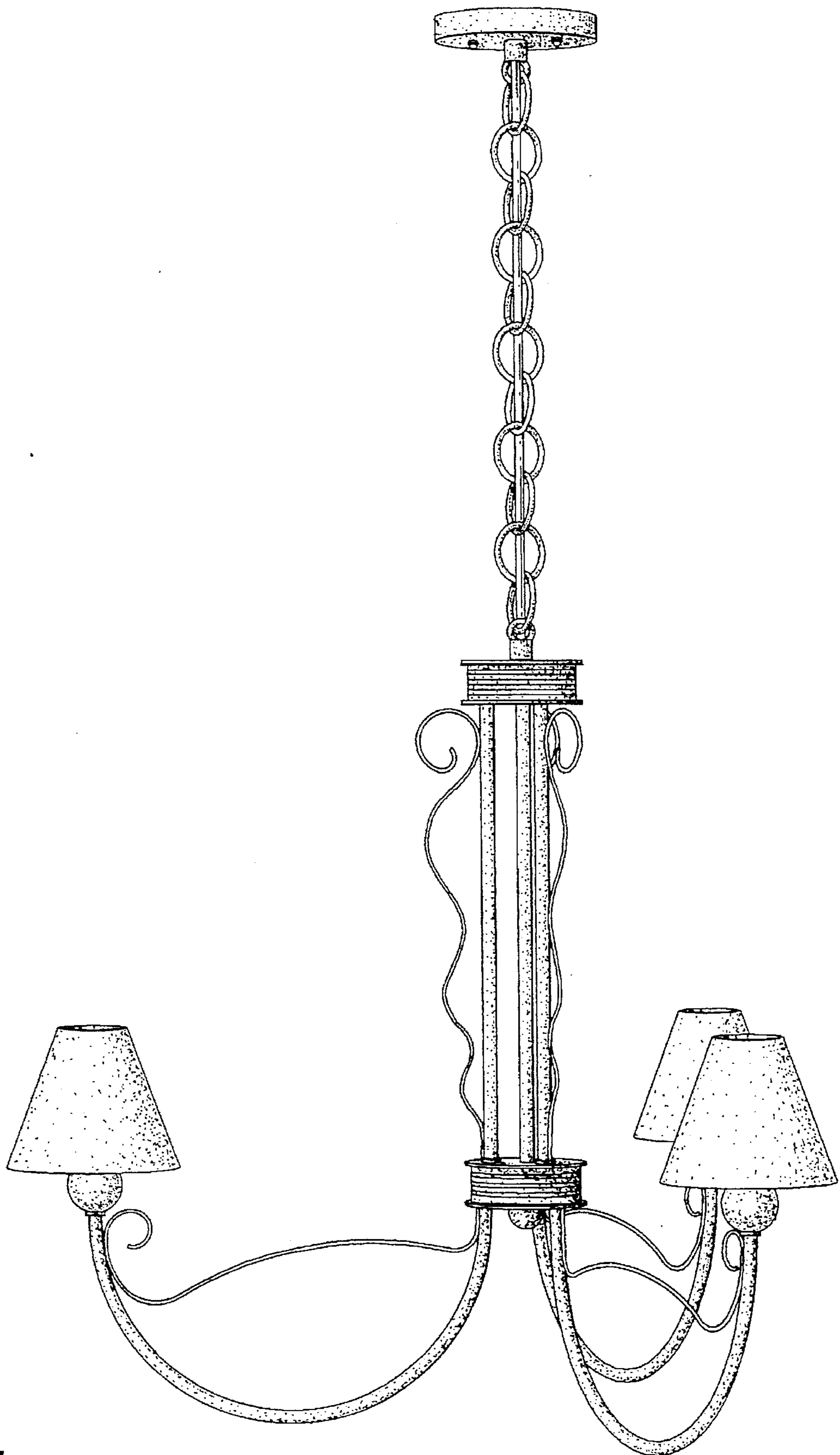


Fig- 7

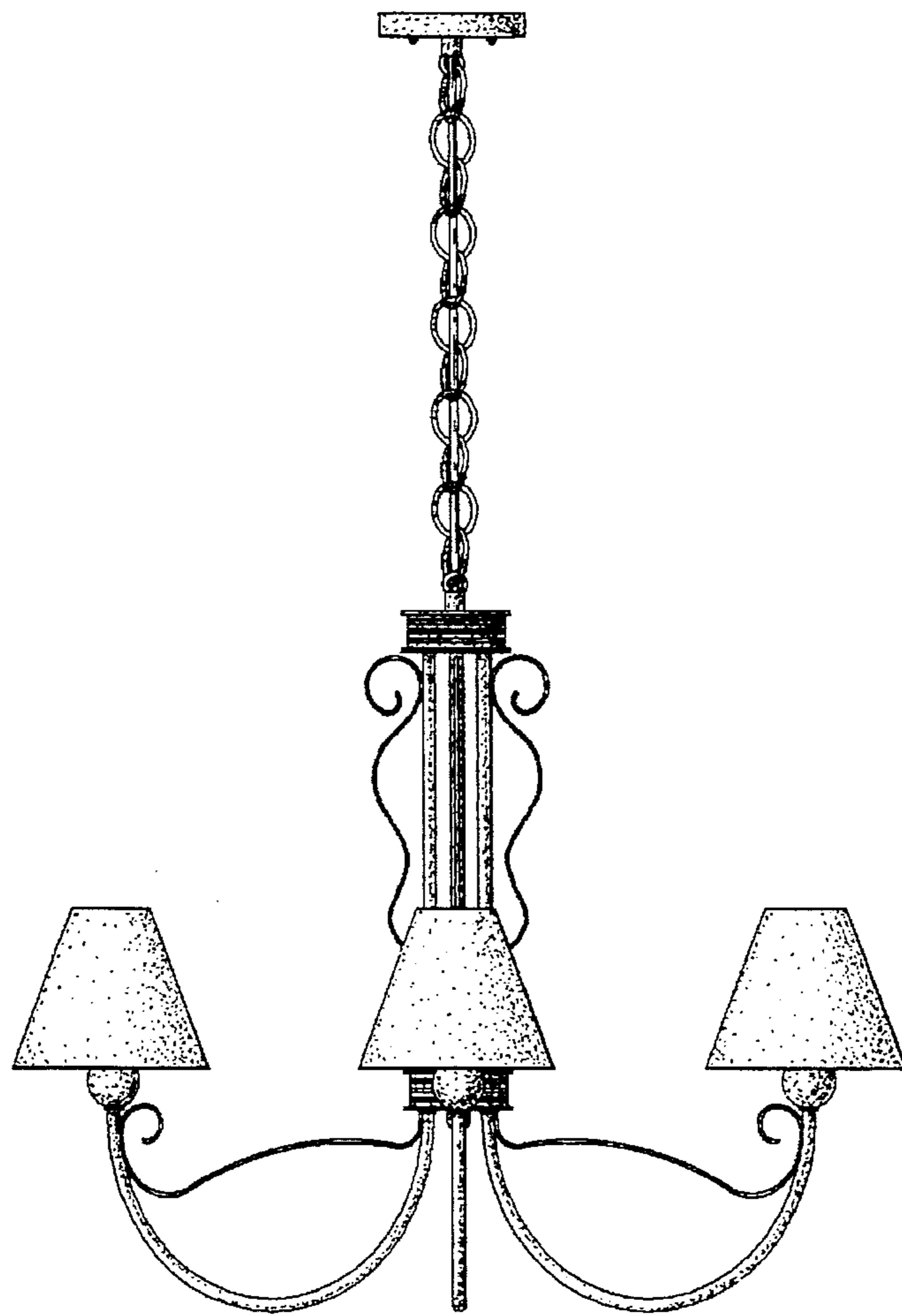


Fig- 8

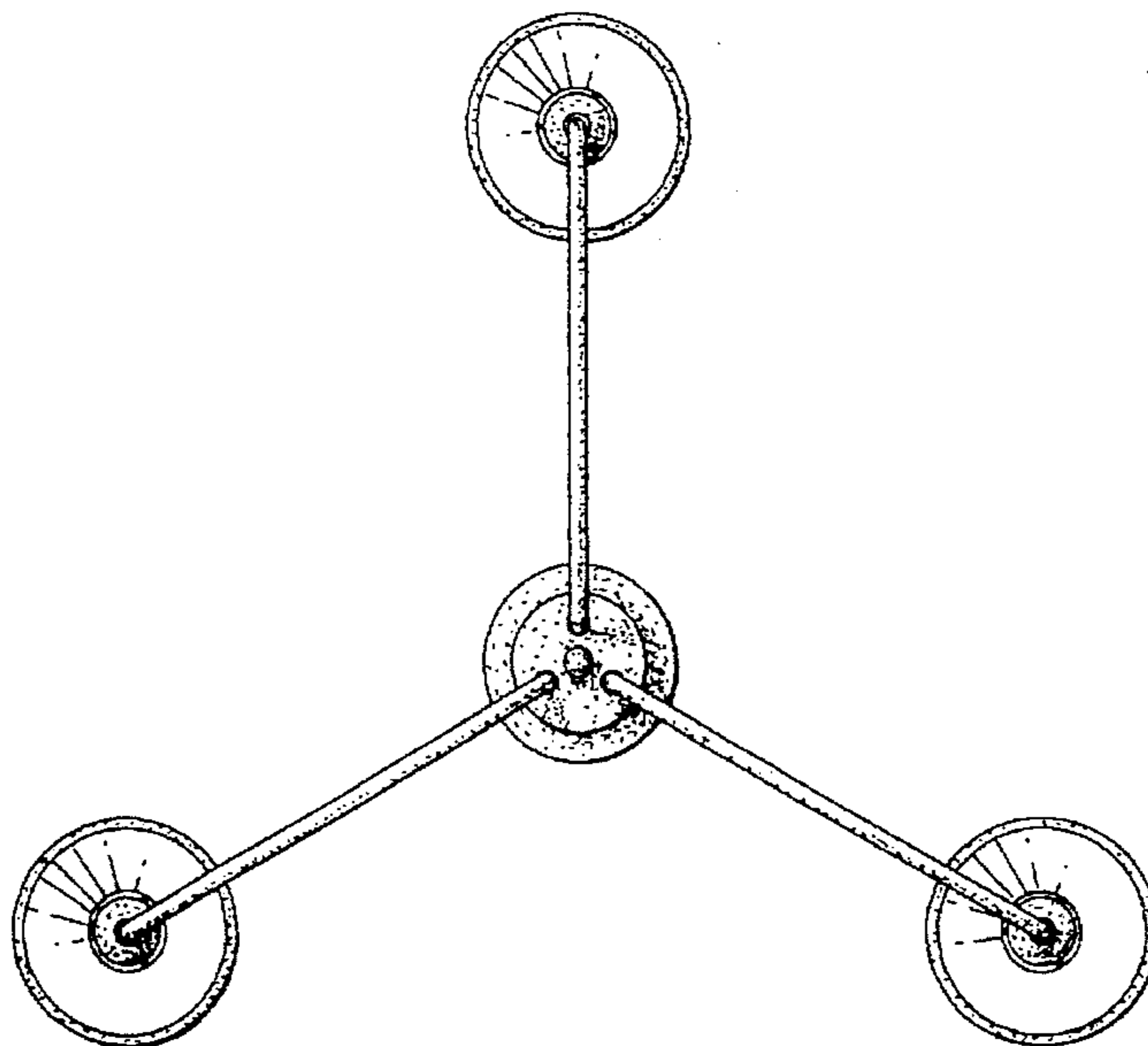


Fig- 9

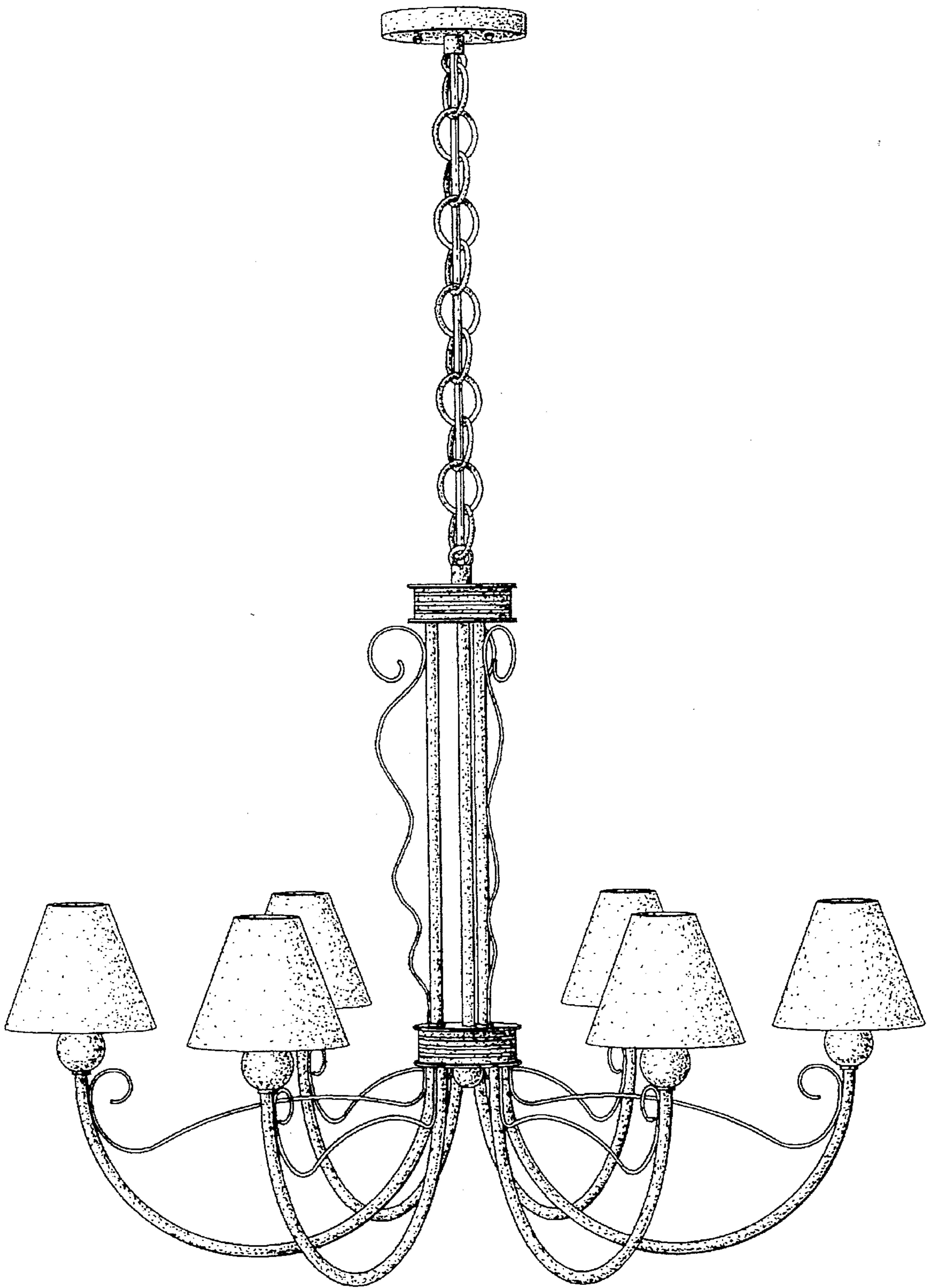


Fig-10

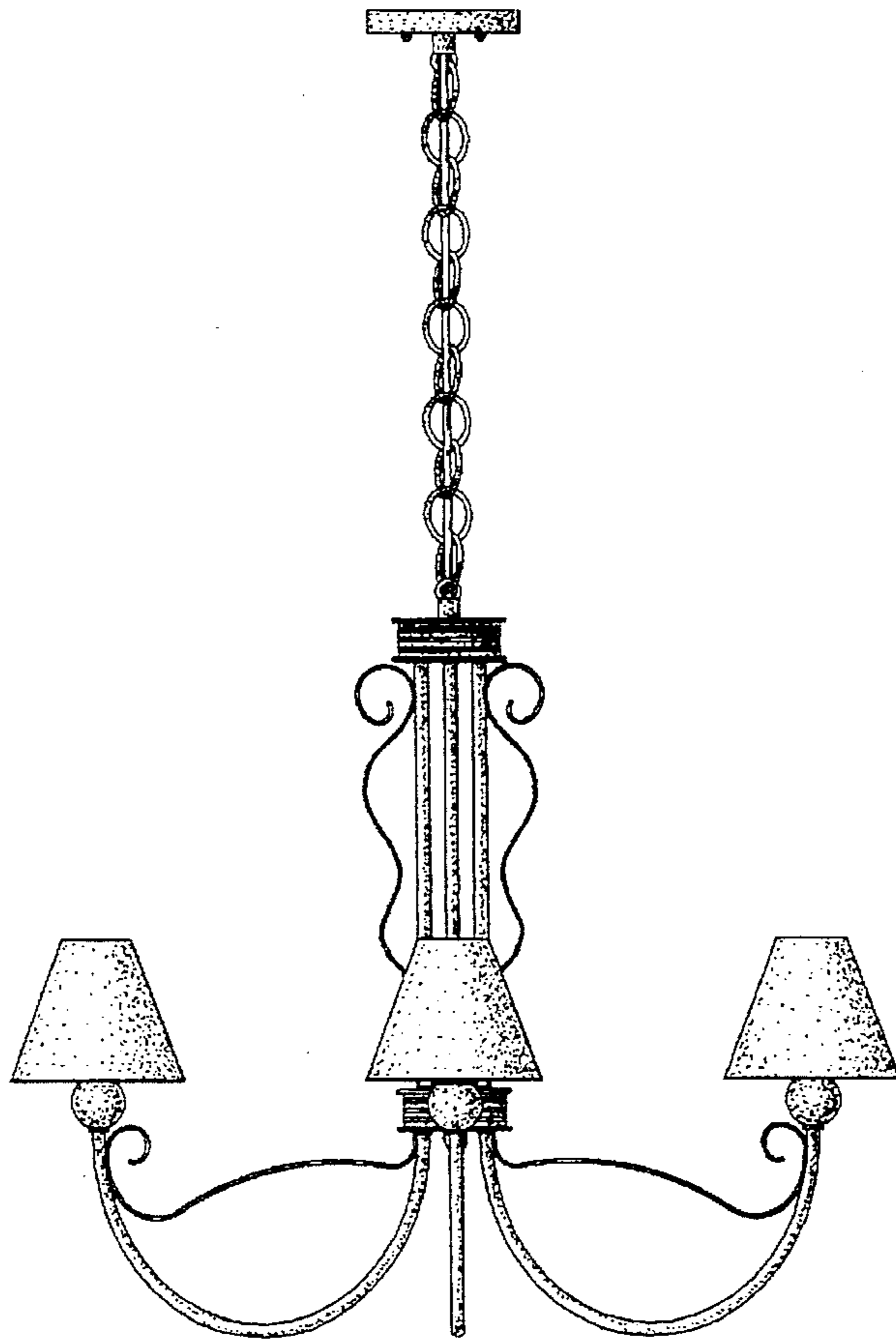


Fig- 11

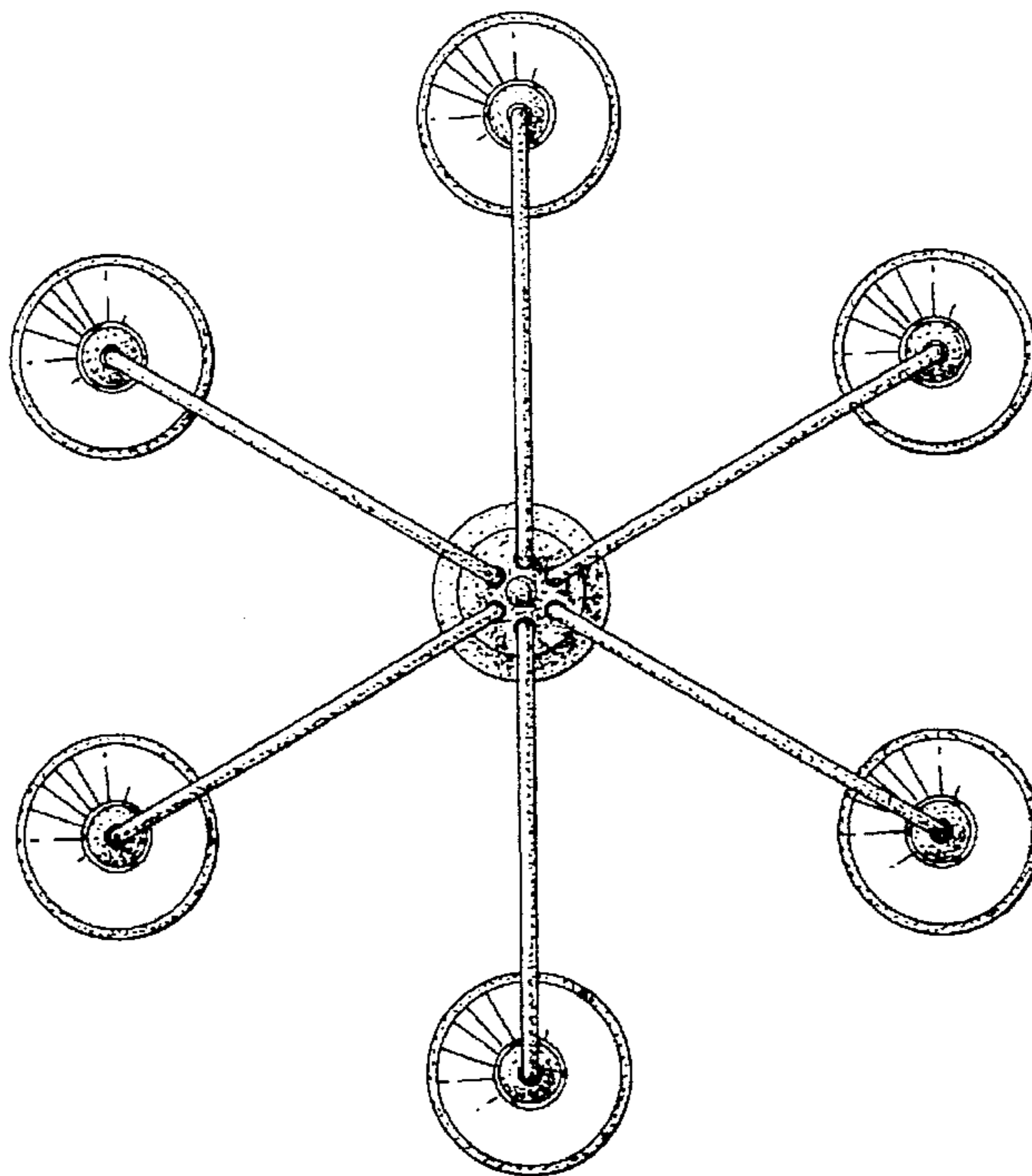


Fig- 12