



US00D382663S

**United States Patent** [19]  
**Barry**

[11] **Patent Number:** **Des. 382,663**

[45] **Date of Patent:** **\*\*Aug. 19, 1997**

[54] **OVAL WALL LAMP**

[75] **Inventor:** **Barbara Barry**, Los Angeles, Calif.

[73] **Assignee:** **Boyd Lighting Company**, San Francisco, Calif.

[\*\*] **Term:** **14 Years**

[21] **Appl. No.:** **55,940**

[22] **Filed:** **Jun. 17, 1996**

[51] **LOC (6) Cl.** ..... **26-05**

[52] **U.S. Cl.** ..... **D26/72**

[58] **Field of Search** ..... D26/36, 72-92,  
D26/118, 120, 122, 123, 124, 138, 142,  
143, 148, 149; 362/147, 404-408, 362,  
364, 365

[56] **References Cited**

**U.S. PATENT DOCUMENTS**

D. 331,638 12/1992 Vamberszky et al. .... D26/74

D. 346,239 4/1994 Vamberszky et al. .... D26/74  
D. 347,293 5/1994 Roos et al. .... D26/74

*Primary Examiner*—Marcus A. Jackson  
*Attorney, Agent, or Firm*—Jack Lo

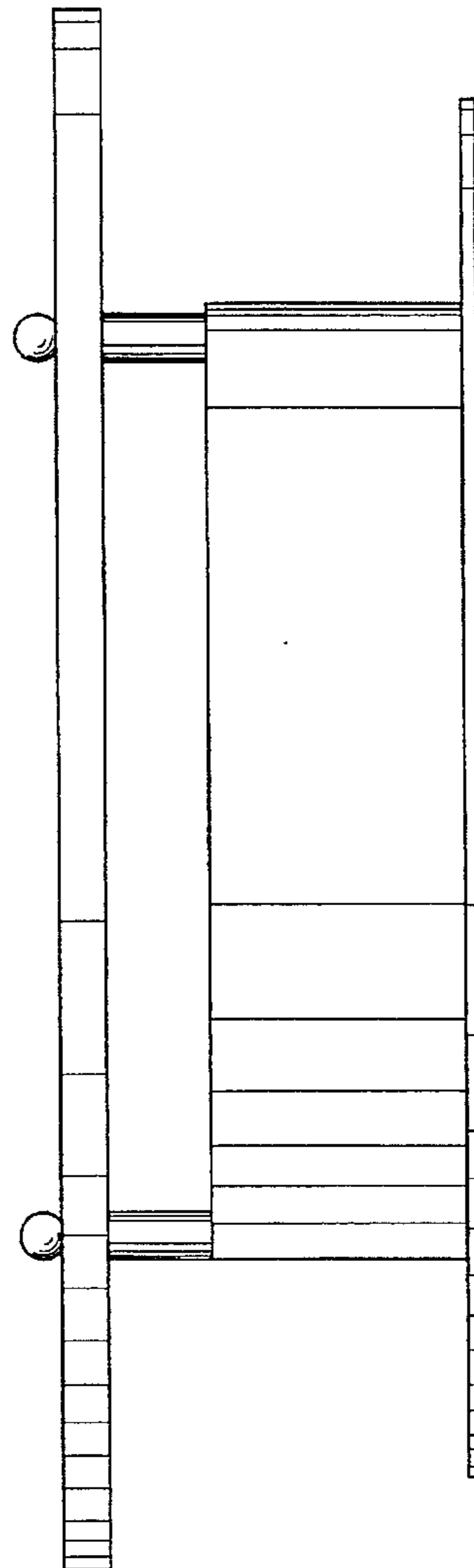
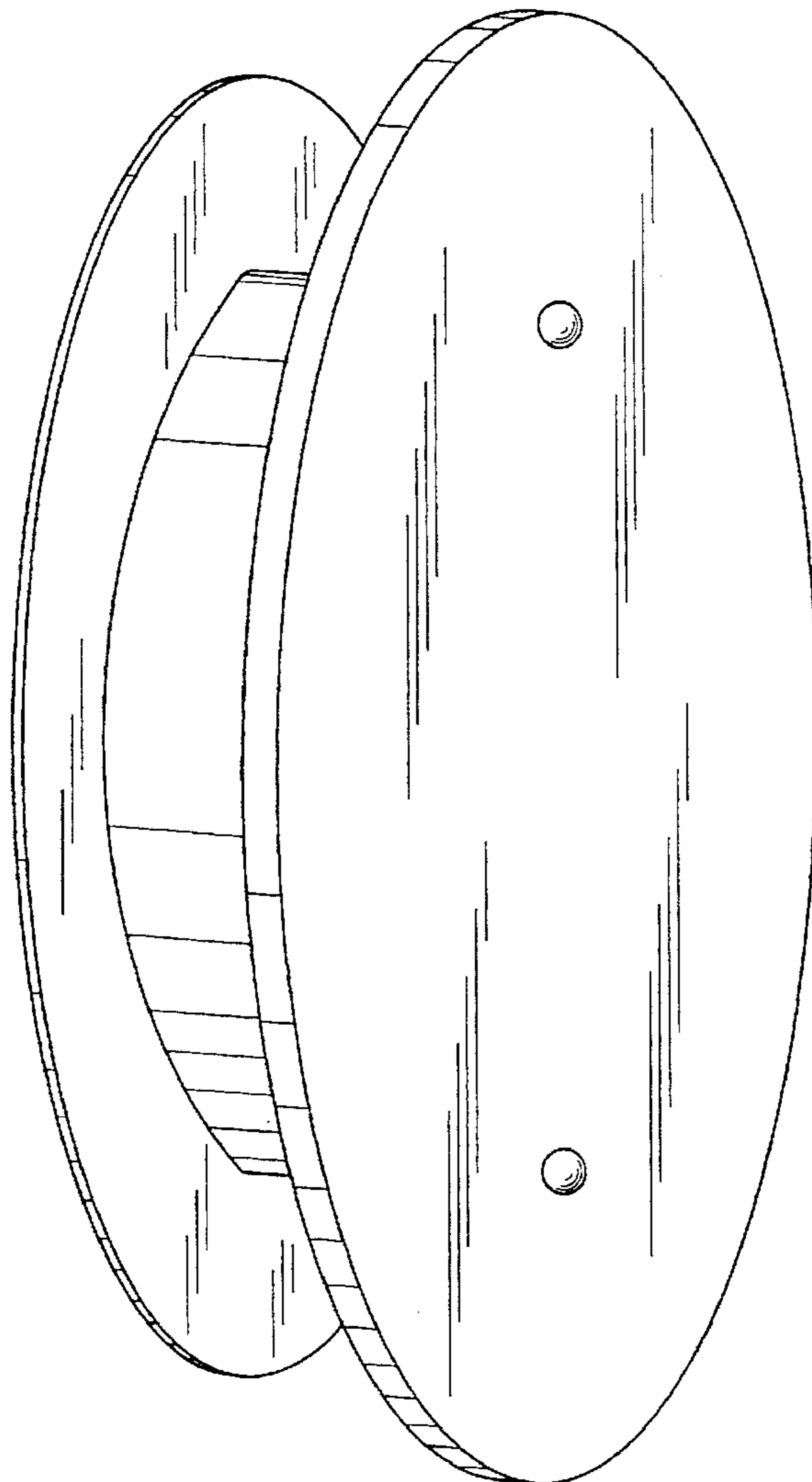
[57] **CLAIM**

The ornamental design for an oval wall lamp, as shown and described.

**DESCRIPTION**

FIG. 1 is a front perspective view of an oval wall lamp showing my new design;  
FIG. 2 is a front view thereof;  
FIG. 3 is a rear view thereof;  
FIG. 4 is a right side view thereof;  
FIG. 5 is a left side view thereof;  
FIG. 6 is a top view thereof; and,  
FIG. 7 is a bottom view thereof.

**1 Claim, 4 Drawing Sheets**



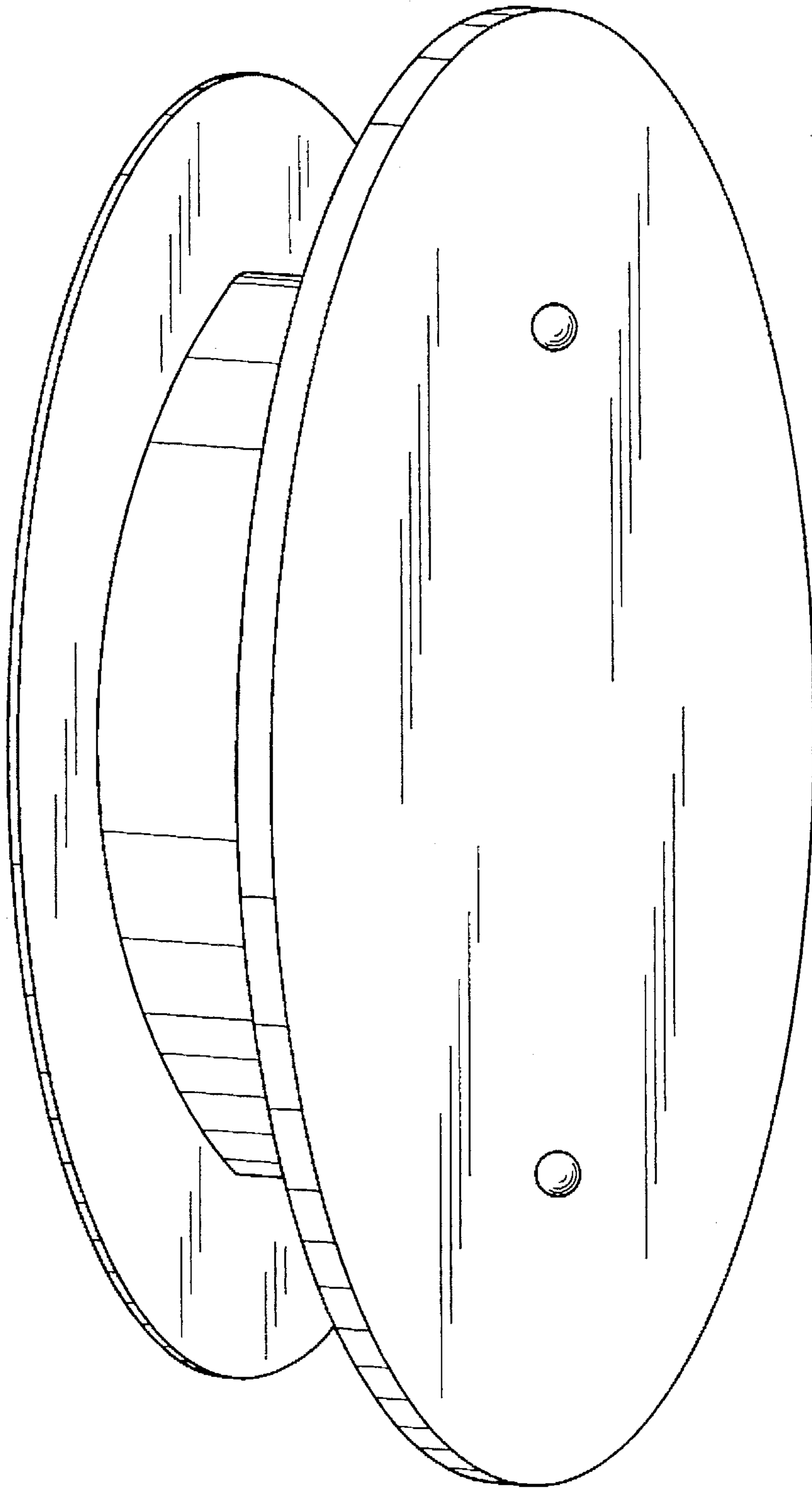


Fig. 1

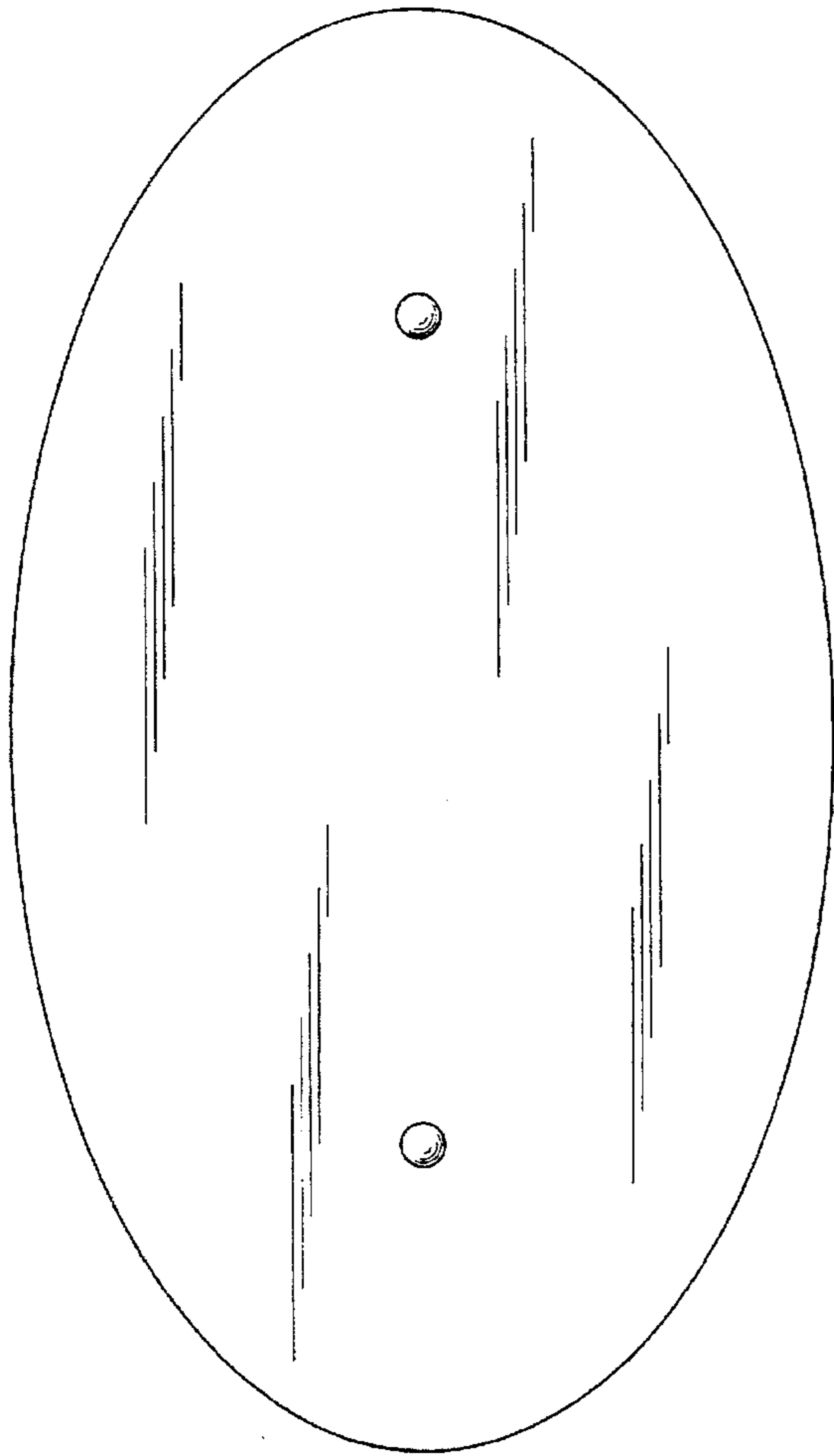


Fig. 2

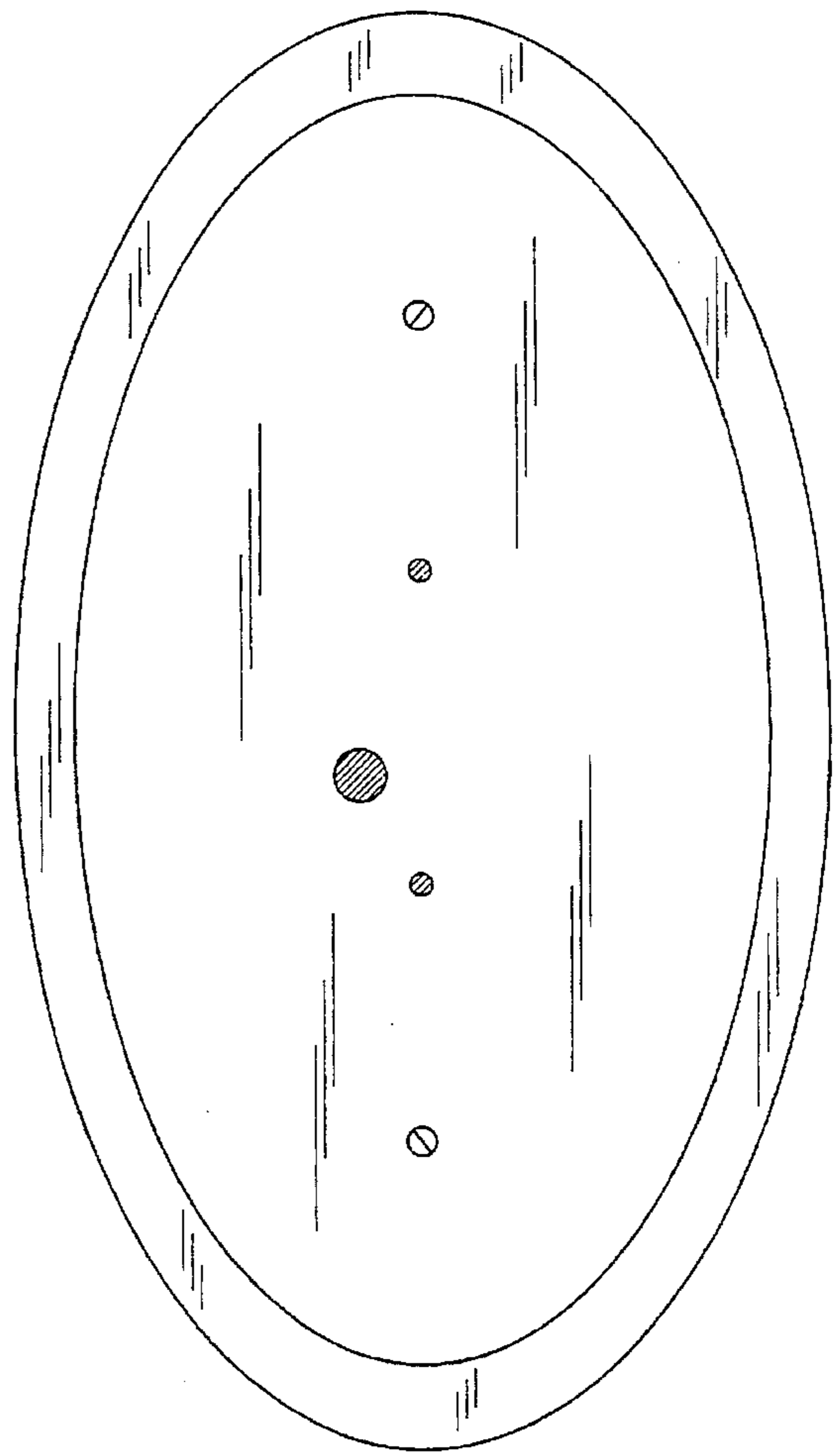


Fig. 3

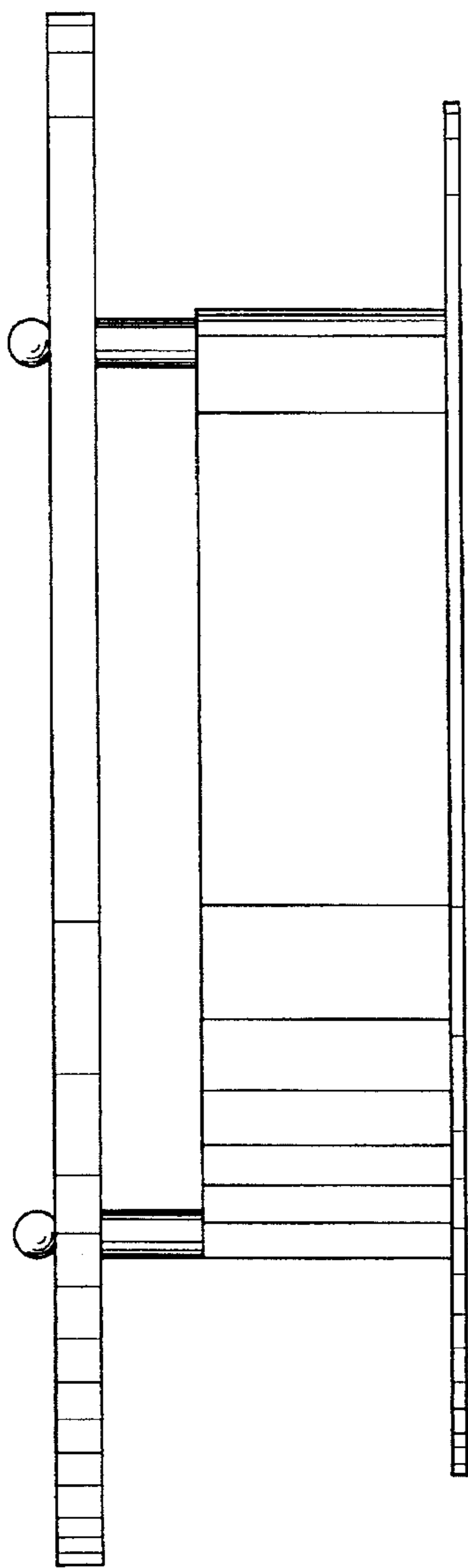


Fig. 4

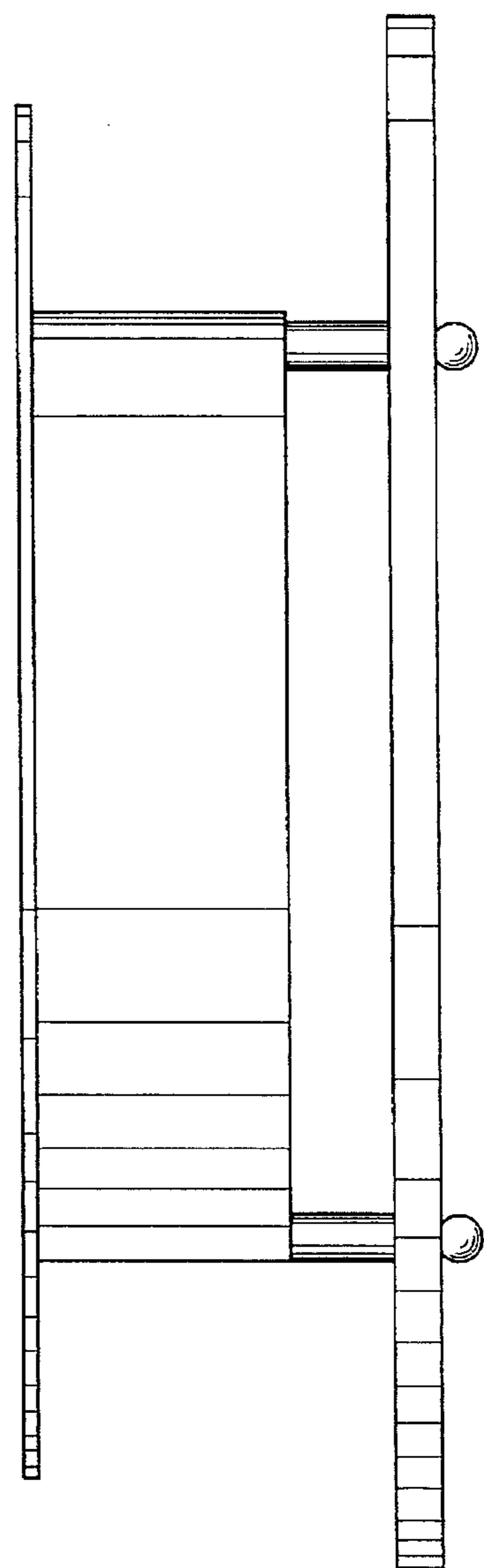


Fig. 5

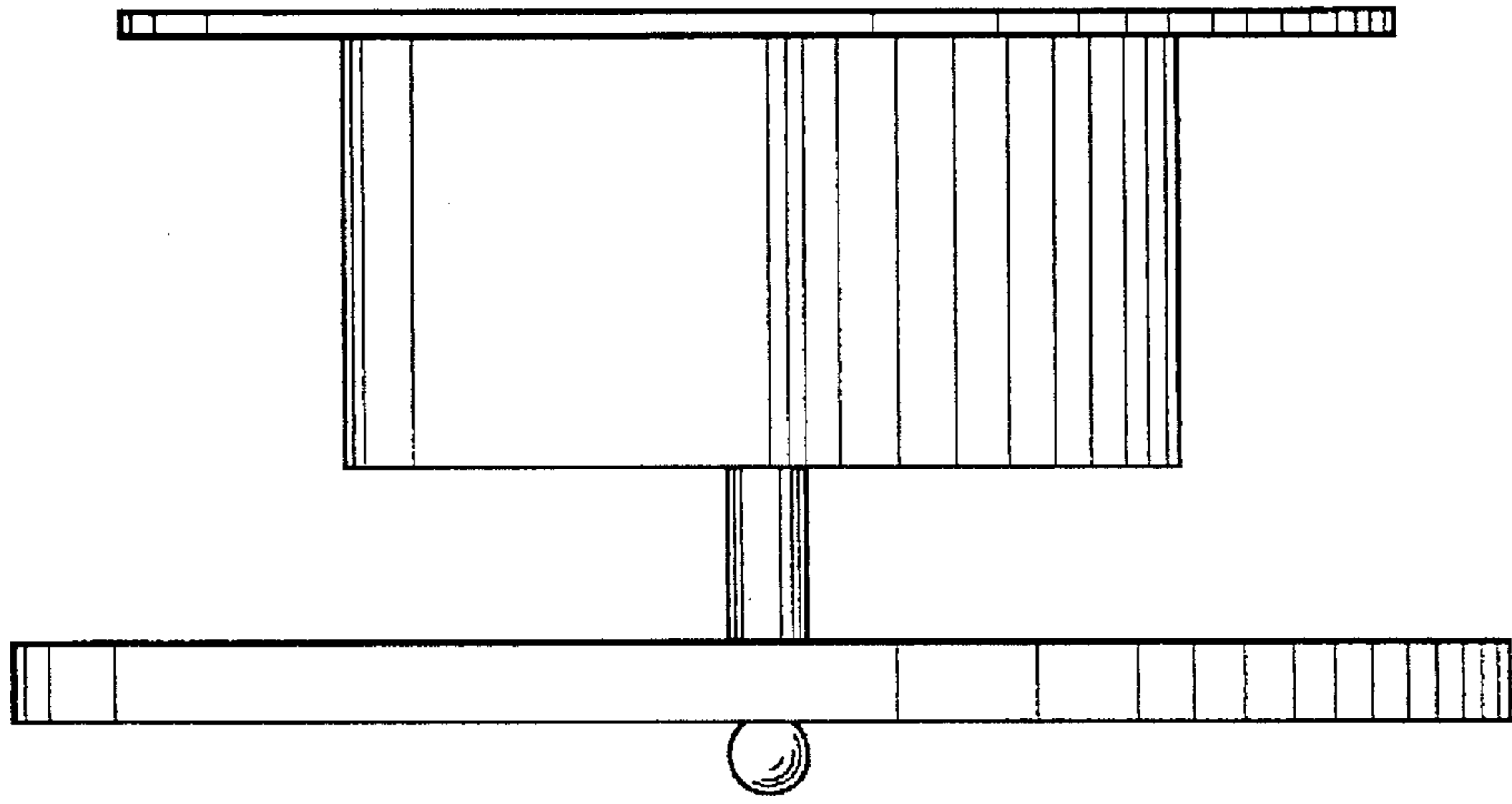


Fig. 6

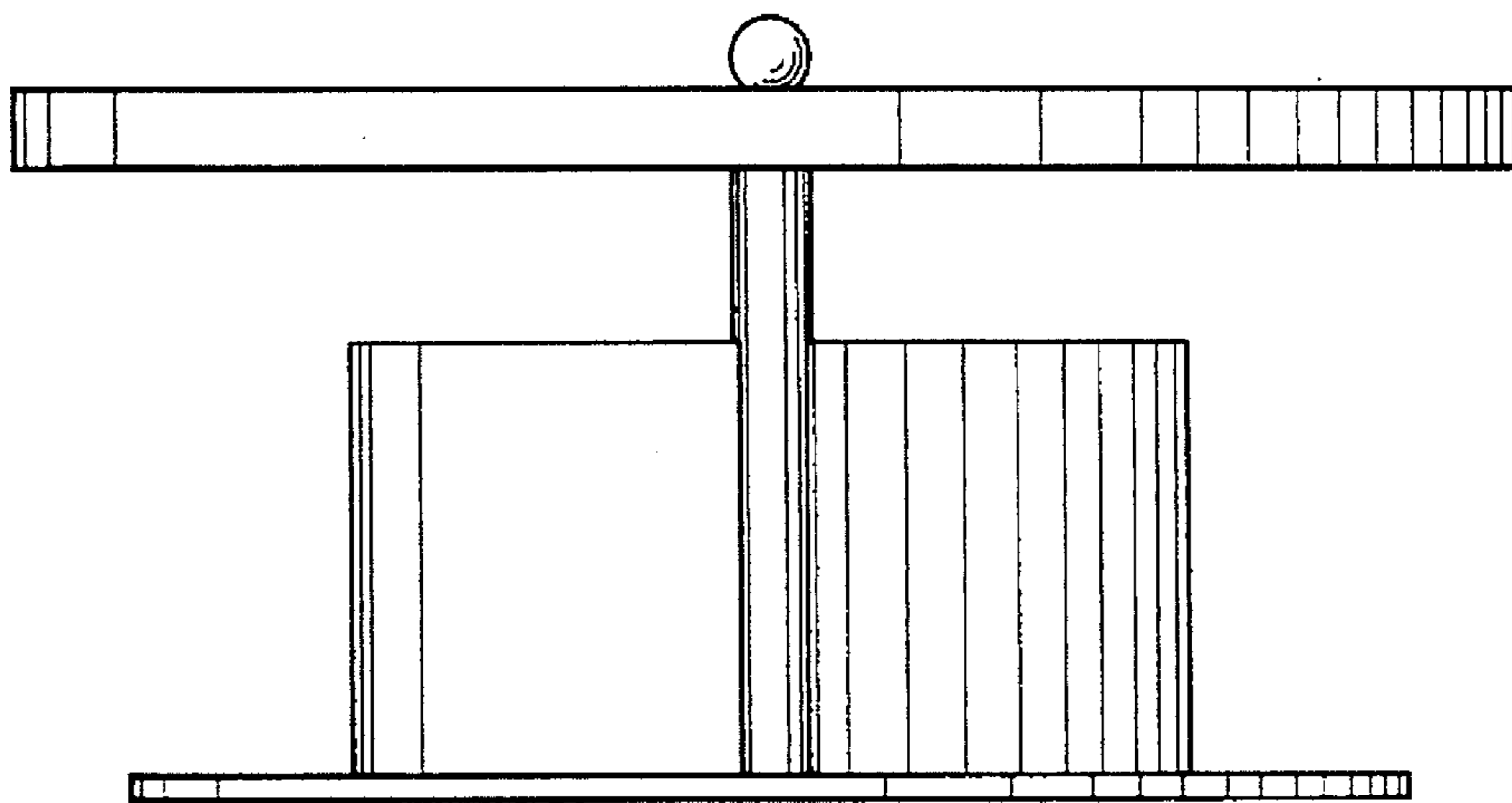


Fig. 7