



US00D382662S

United States Patent [19]

Shalvi

[11] Patent Number: **Des. 382,662**

[45] Date of Patent: ****Aug. 19, 1997**

[54] OUTDOOR LIGHTING FIXTURE

[75] Inventor: **Ram Shalvi**, Hong Kong, Hong Kong

[73] Assignee: **Solar Wide Industrial Ltd.**, Hong Kong, Hong Kong

[**] Term: **14 Years**

[21] Appl. No.: **53,361**

[22] Filed: **Apr. 19, 1996**

[30] Foreign Application Priority Data

Oct. 20, 1995 [GB] United Kingdom 2051339

[51] LOC (6) Cl. **26-05**

[52] U.S. Cl. **D26/68**

[58] Field of Search D26/67-71; 362/153, 362/153.1, 431

[56] References Cited

U.S. PATENT DOCUMENTS

D. 323,567 1/1992 Denison et al. D26/68

Primary Examiner—Susan J. Lucas
Attorney, Agent, or Firm—Ostrolenk, Faber, Gerb & Soffen, LLP

[57] CLAIM

The ornamental design for an outdoor lighting fixture, as shown and described.

DESCRIPTION

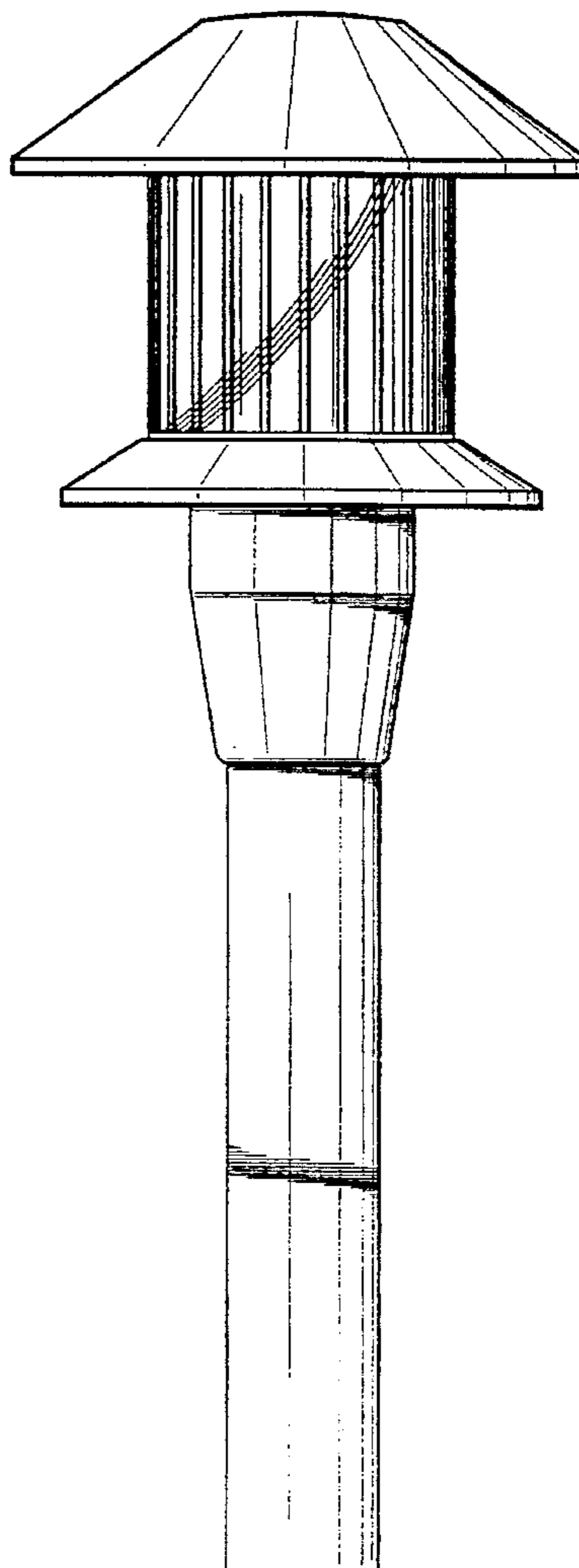
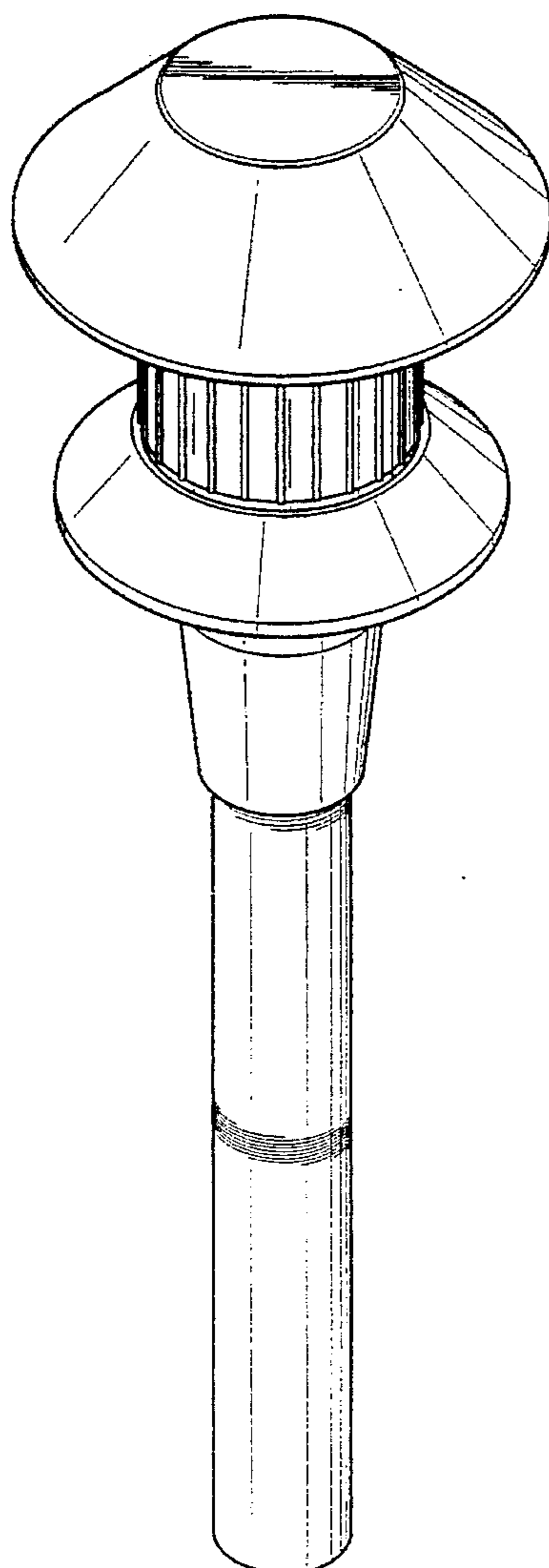
FIG. 1 is a top and side perspective view of an outdoor lighting fixture showing my new design;

FIG. 2 is a side elevational view thereof (all sides correspond);

FIG. 3 is a top plan view thereof; and,

FIG. 4 is a bottom plan view thereof.

1 Claim, 2 Drawing Sheets



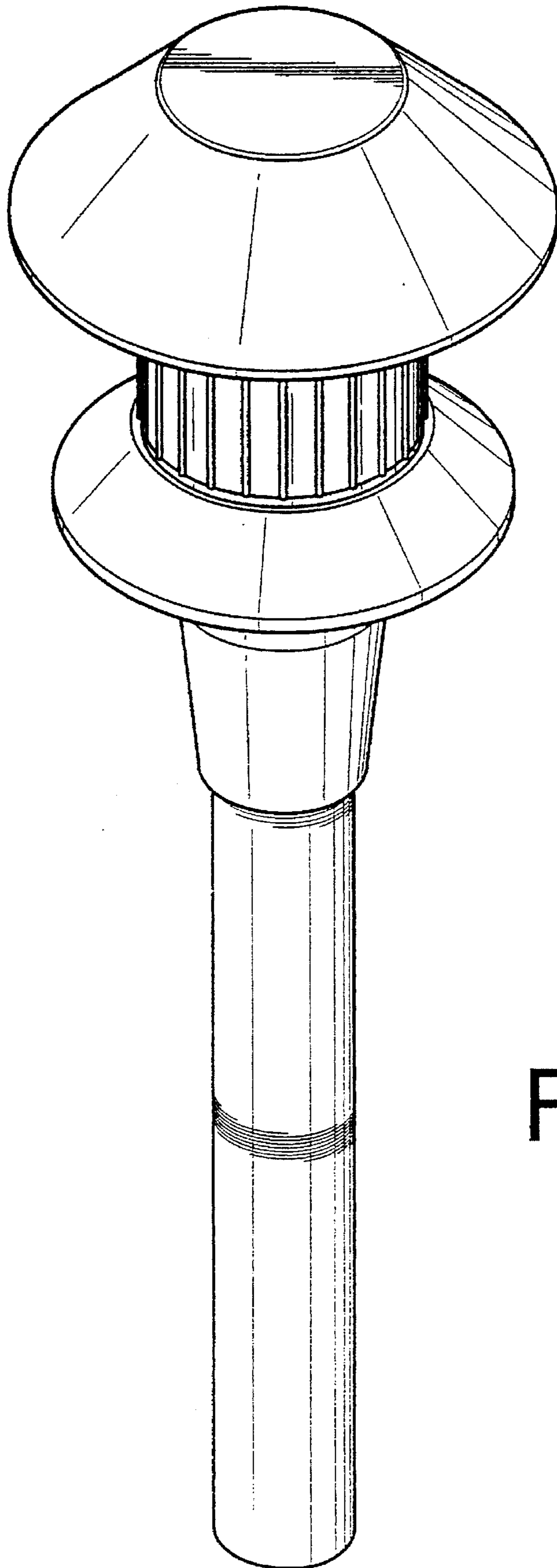


FIG. 1

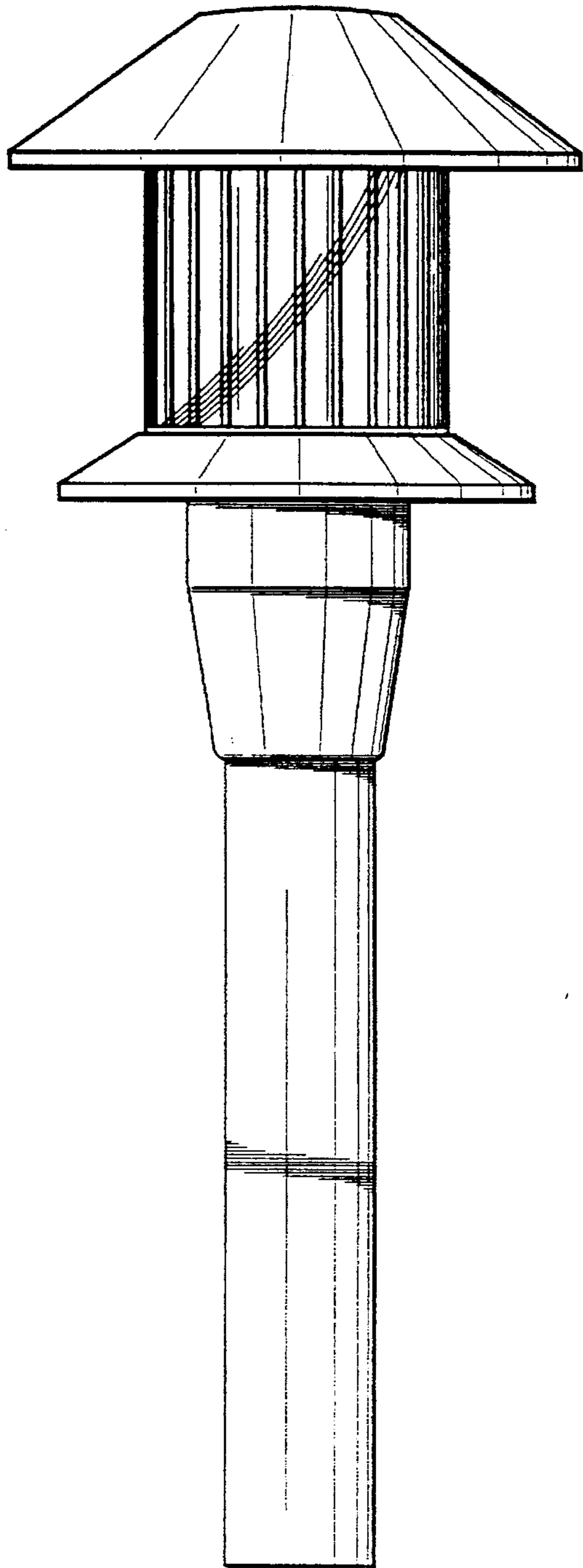


FIG. 2

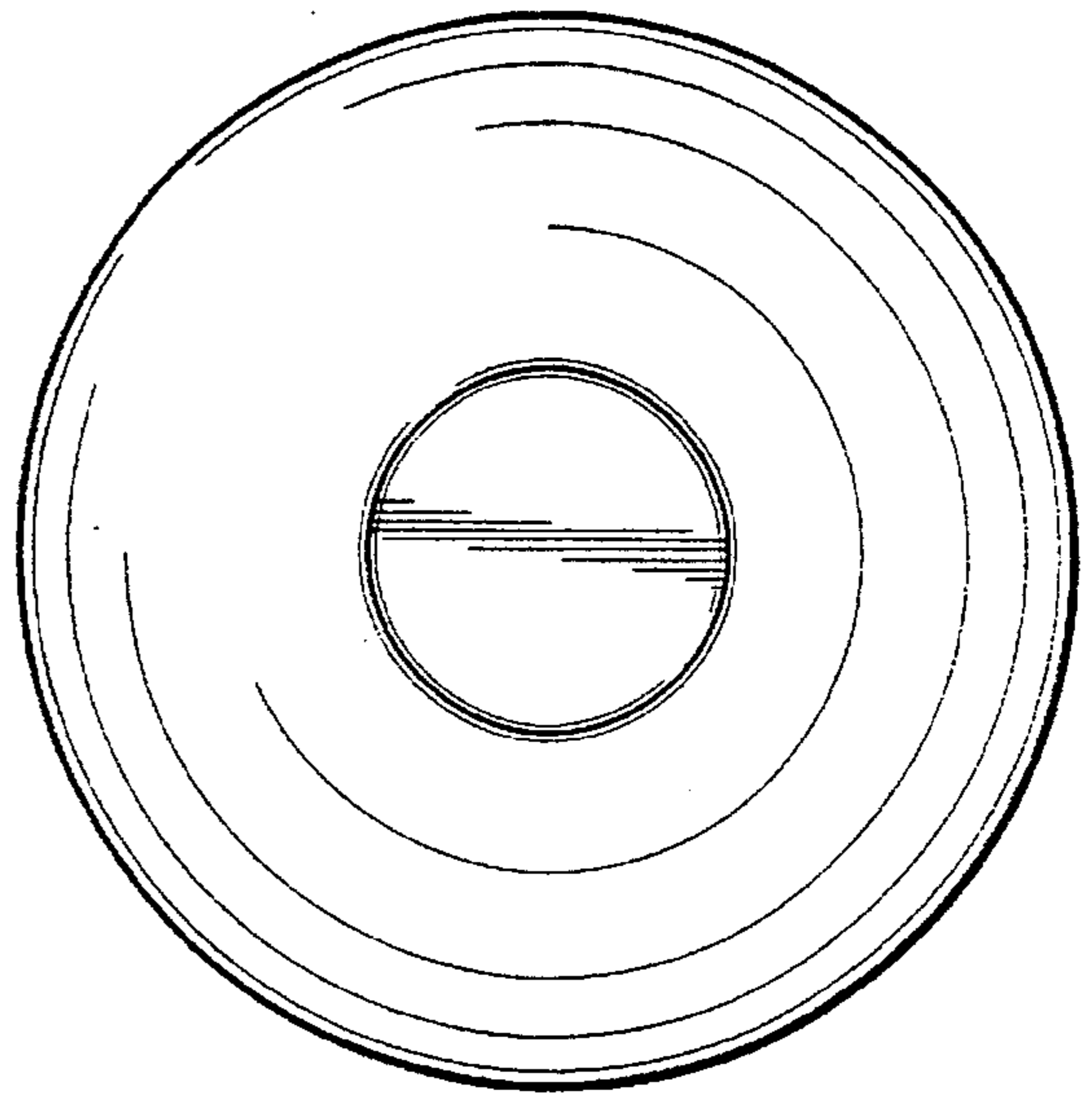


FIG. 3

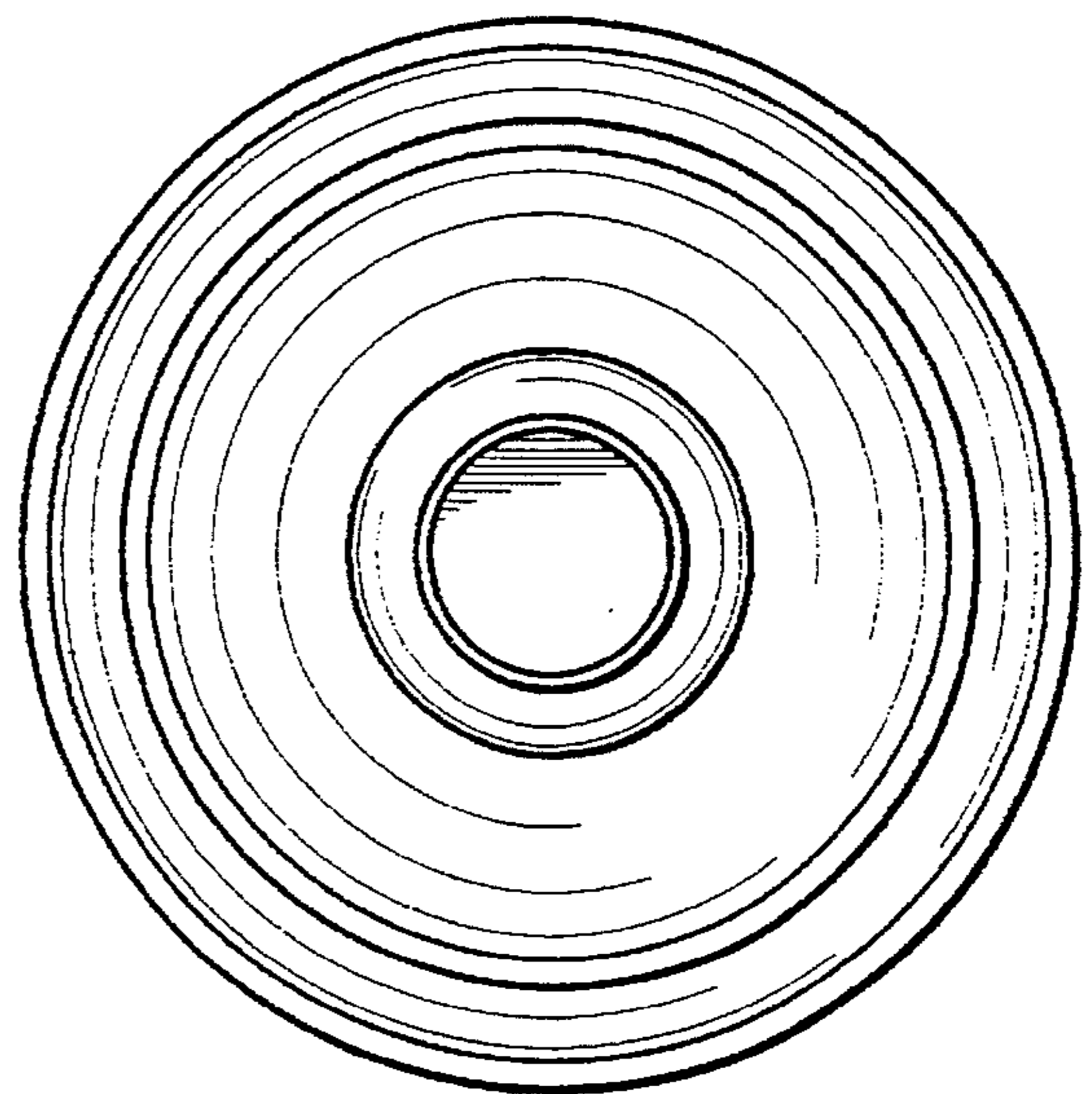


FIG. 4