



US00D382661S

United States Patent [19]
Wong

[11] **Patent Number: Des. 382,661**

[45] **Date of Patent: **Aug. 19, 1997**

[54] **LIGHT PATTERN GENERATOR**

[75] **Inventor: Kwan-Wing Wong, Kowloon, Hong Kong**

[73] **Assignee: N.C.W. Enterprises Co., Ltd., Kowloon, Hong Kong**

[**] **Term: 14 Years**

[21] **Appl. No.: 54,248**

[22] **Filed: May 10, 1996**

[51] **LOC (6) Cl. 26-03**

[52] **U.S. Cl. D26/63**

[58] **Field of Search D26/60-66; 362/269, 362/275, 285, 286, 287, 418, 419, 428**

[56] **References Cited**

U.S. PATENT DOCUMENTS

D. 366,712 1/1996 Hanson et al. D26/63
5,176,442 1/1993 Richardson 362/418 X

Primary Examiner—Susan J. Lucas
Attorney, Agent, or Firm—Burns, Doane, Swecker & Mathis

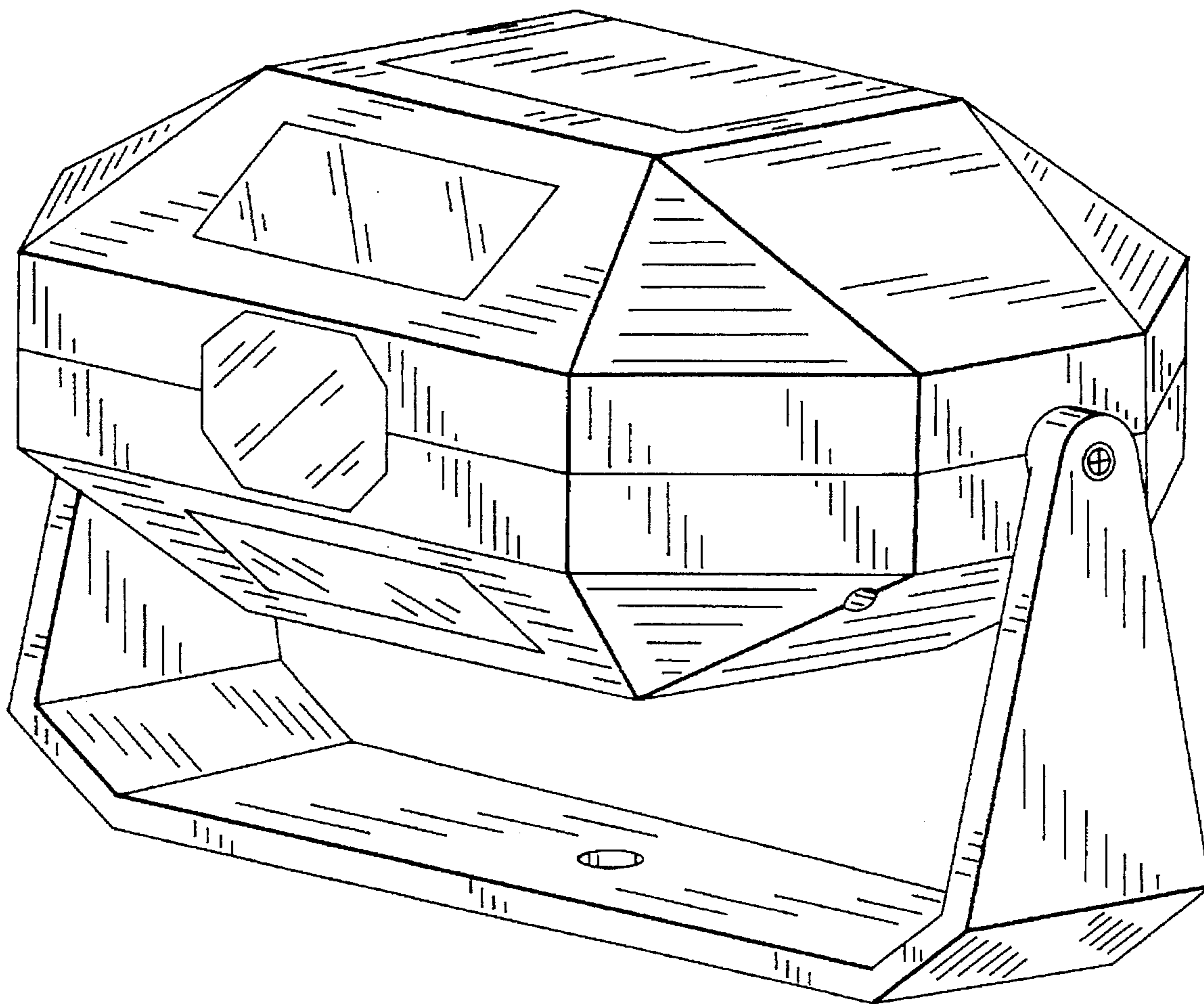
[57] **CLAIM**

The ornamental design for a “light pattern generator”, as shown and described.

DESCRIPTION

FIG. 1 is a perspective view of a “light pattern generator” showing my design;
FIG. 2 is a front view thereof;
FIG. 3 is a rear view thereof;
FIG. 4 is a left side elevational view thereof;
FIG. 5 is a right side elevational view thereof;
FIG. 6 is a top plan view thereof; showing the base stand in an alternate position; and,
FIG. 7 is a bottom plan view thereof showing the base stand in an alternate position.

1 Claim, 4 Drawing Sheets



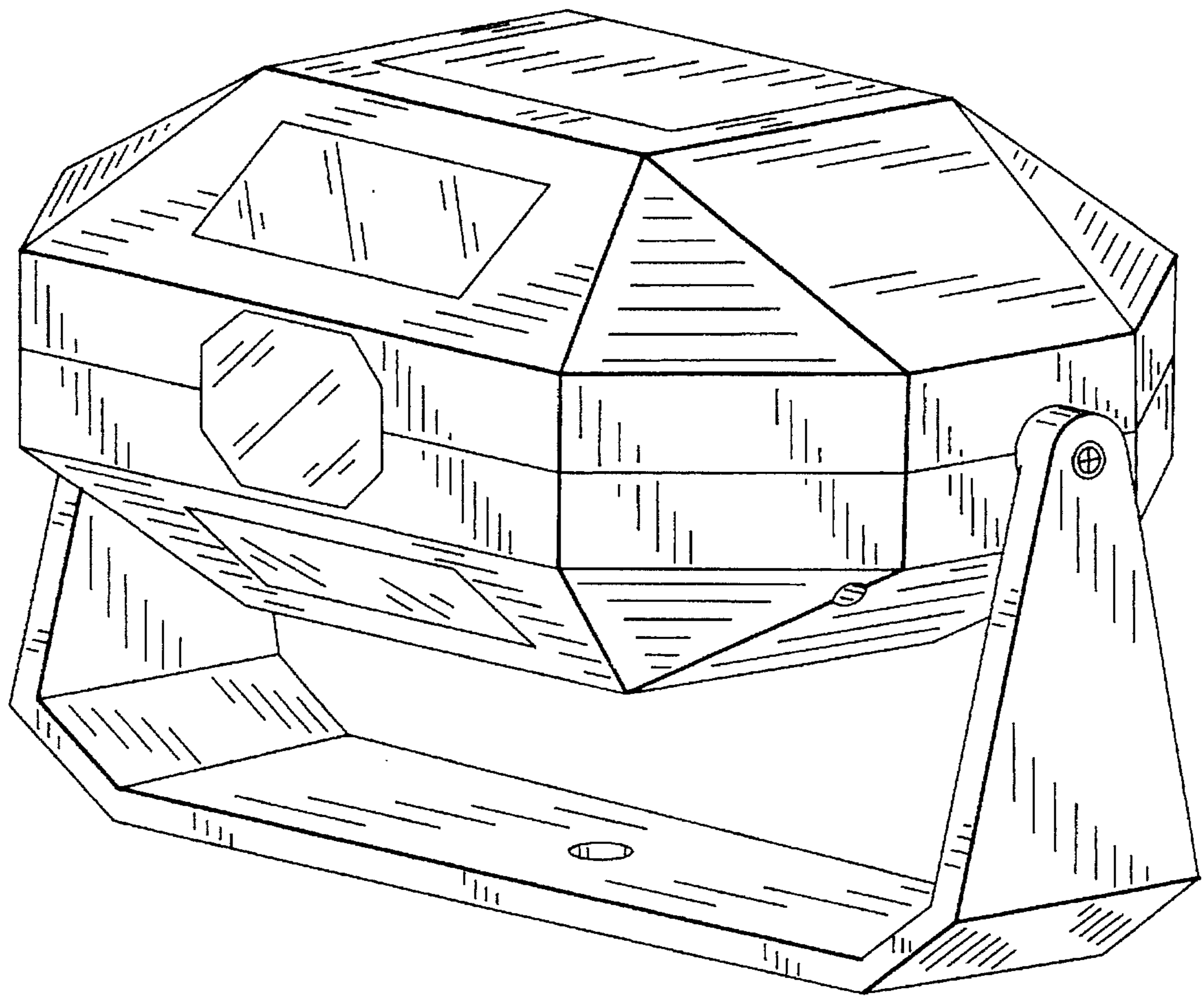


FIG. 1

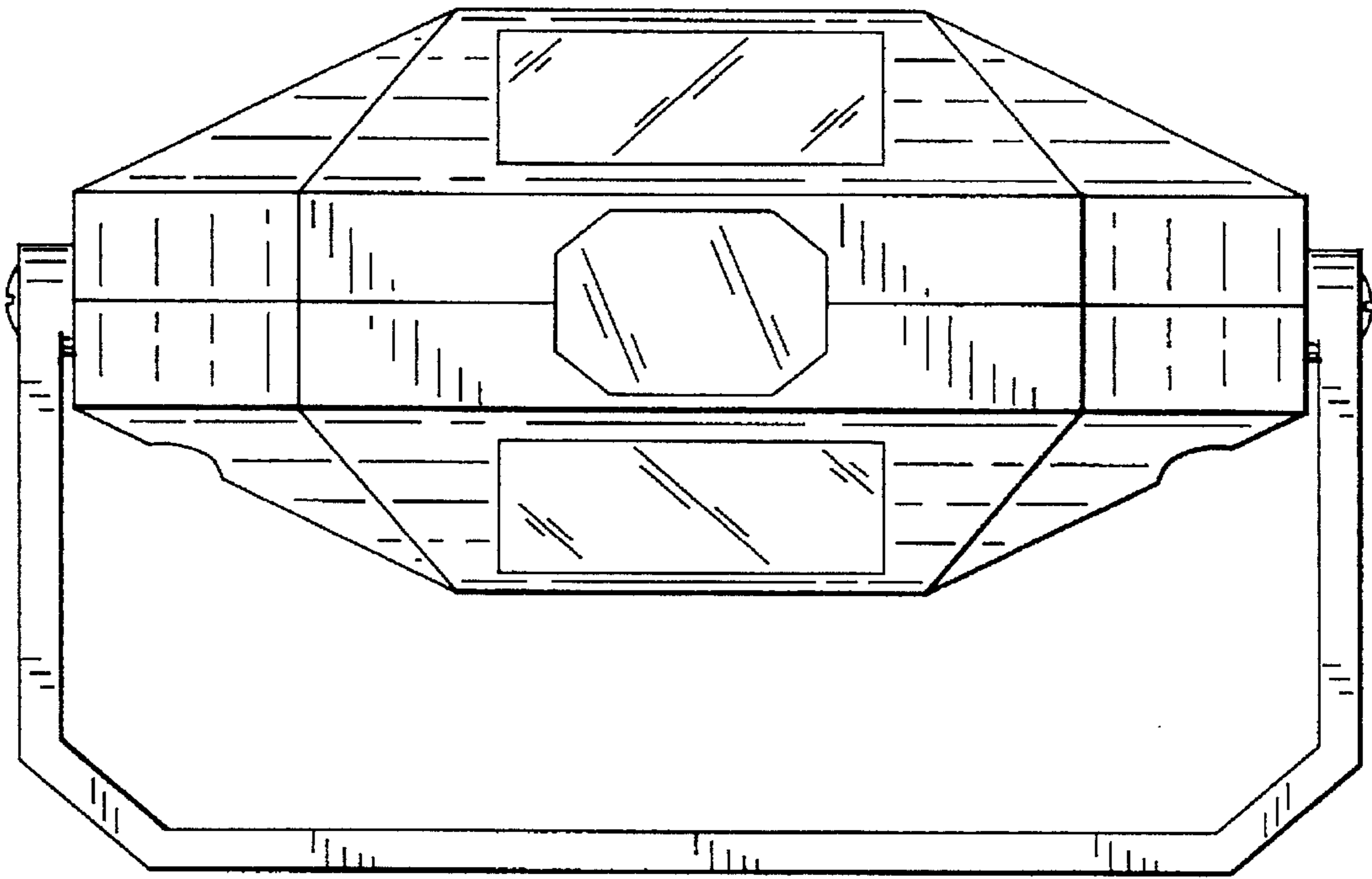


FIG. 2

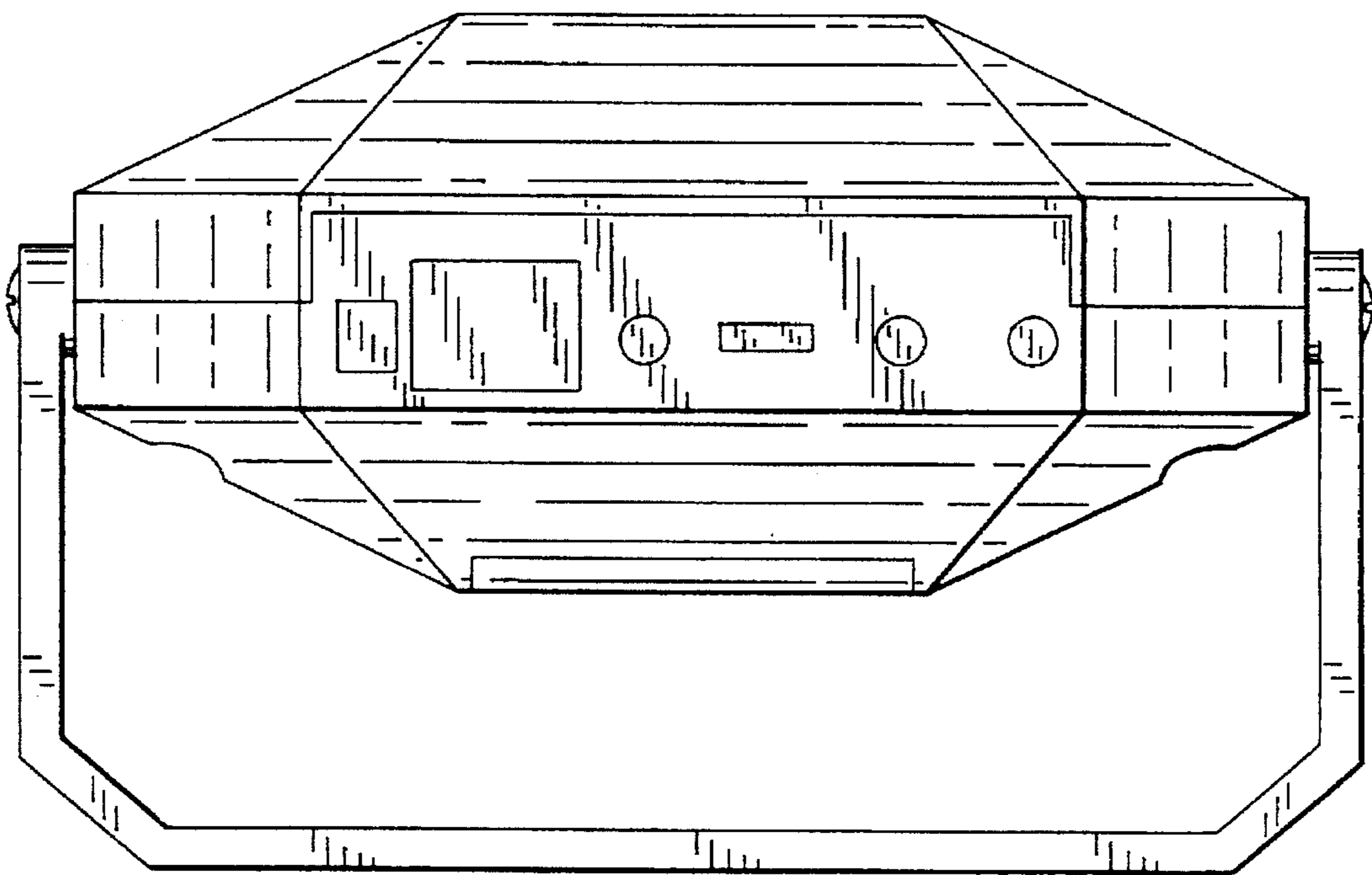


FIG. 3

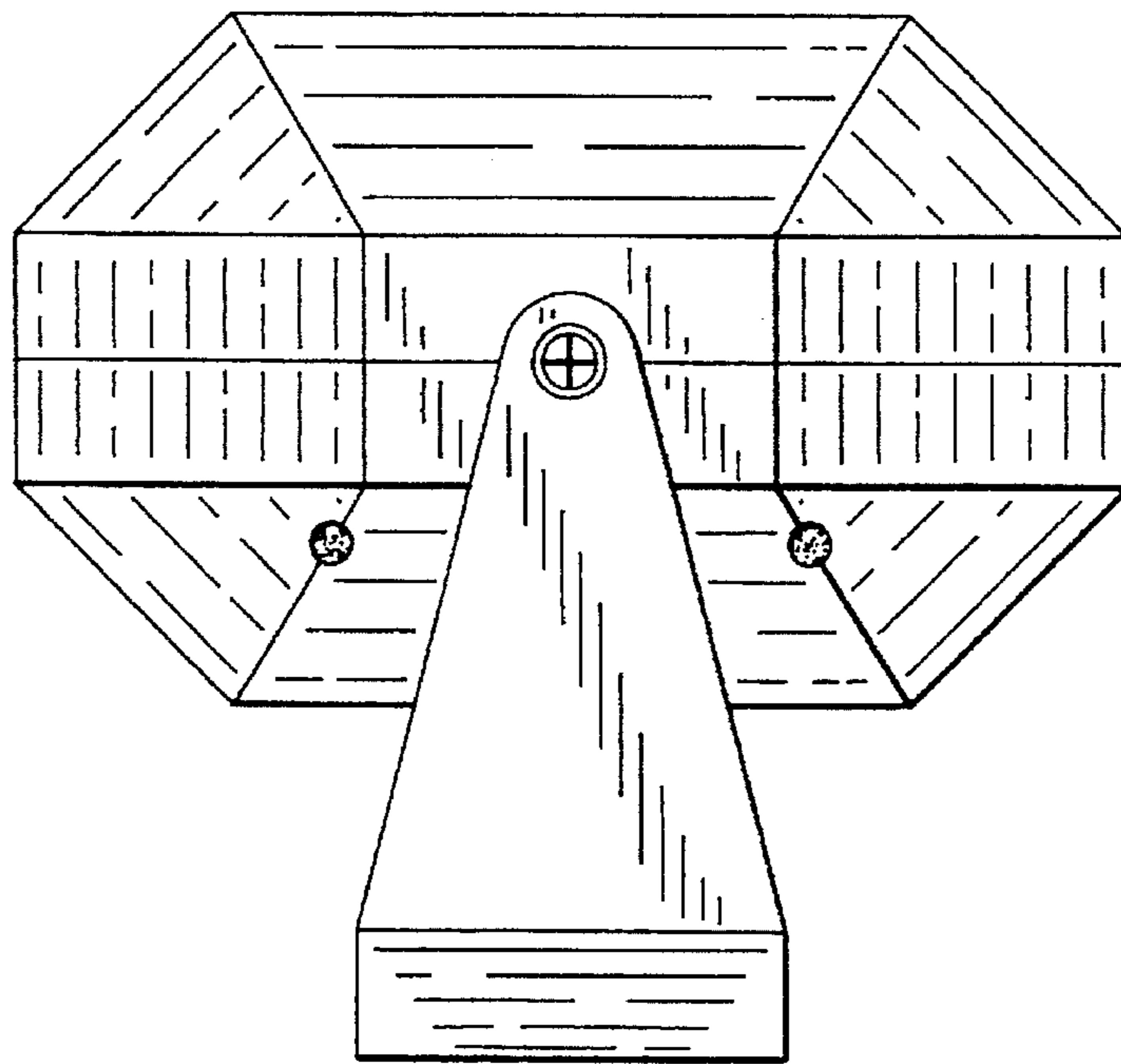


FIG. 4

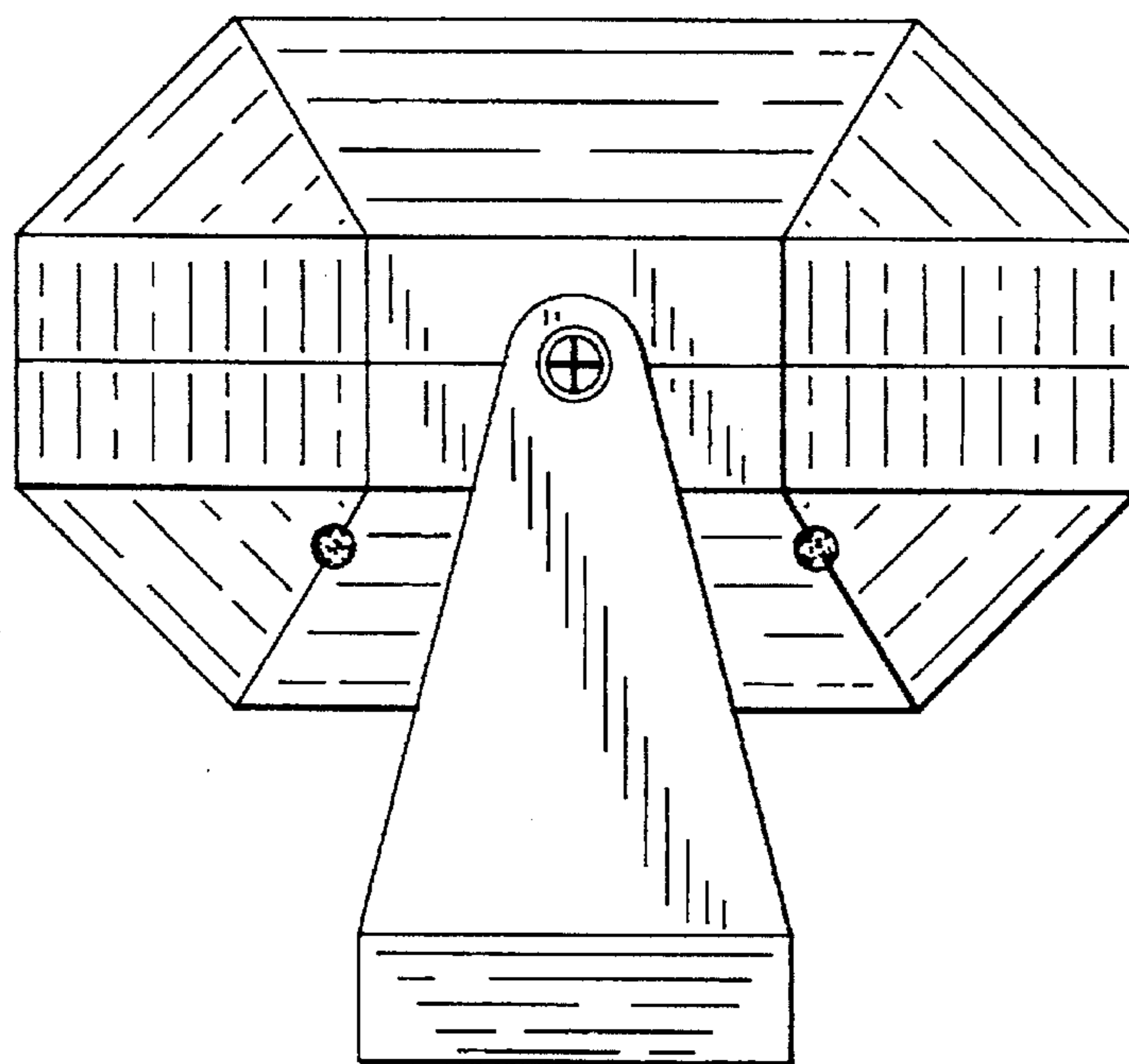


FIG. 5

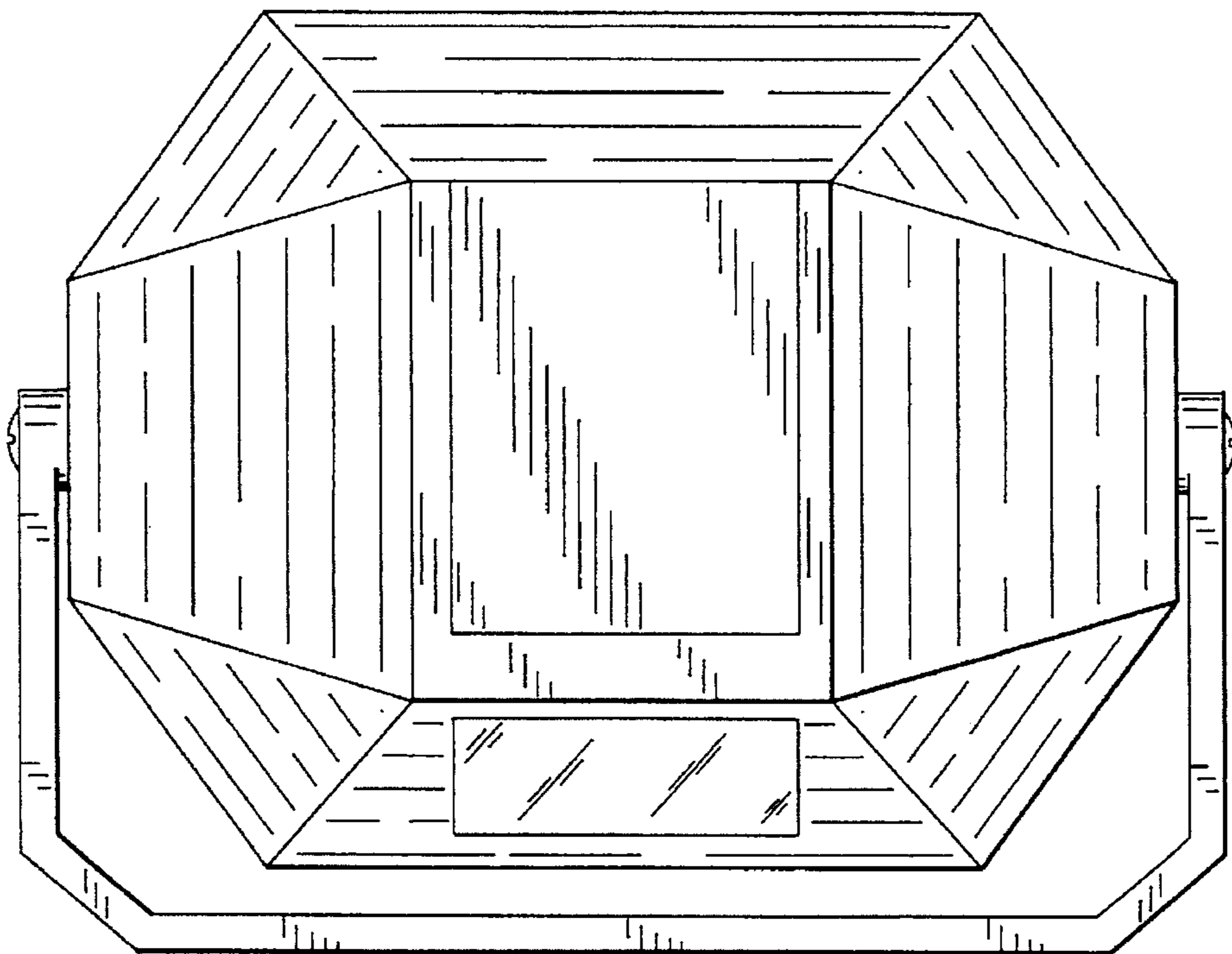


FIG. 6

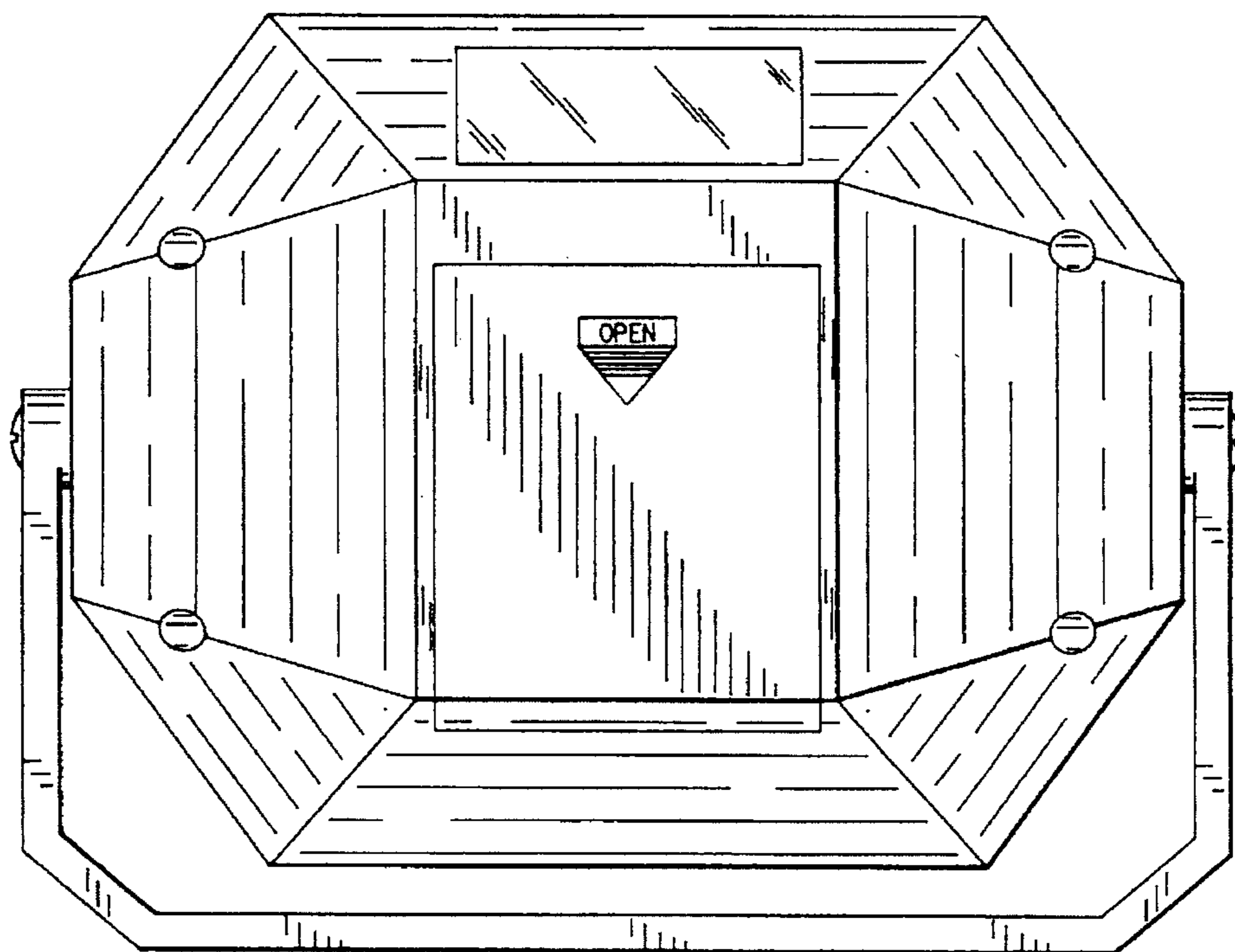


FIG. 7