



US00D382654S

**United States Patent** [19]  
**DiGiorgio**

[11] **Patent Number: Des. 382,654**

[45] **Date of Patent: \*\*Aug. 19, 1997**

[54] **SLIDER SASH**

4,977,722 12/1990 Taylor ..... 52/730.3

[75] **Inventor: Tony DiGiorgio**, Woodbridge, Canada

*Primary Examiner—Doris Clark*

[73] **Assignee: Dominion Plastics Inc.**, Woodbridge, Canada

[\*\*] **Term: 14 Years**

[57] **CLAIM**

[21] **Appl. No.: 55,279**

The ornamental design for a slider sash, as shown and described.

[22] **Filed: Jun. 3, 1996**

**DESCRIPTION**

[51] **LOC (6) Cl. .... 25-01**

[52] **U.S. Cl. .... D25/124**

[58] **Field of Search** ..... D25/52, 60, 122,  
D25/124; 52/730.3, 656.6, 204.5; 49/501,  
504, DIG. 2

FIG. 1 is a perspective view of the slider sash; and,

FIG. 2 is an end view of the slider sash.

The slider sash is broken away near the end to indicate indeterminate length.

[56] **References Cited**

**U.S. PATENT DOCUMENTS**

4,074,490 2/1978 Nagase ..... 52/656.6

**1 Claim, 1 Drawing Sheet**

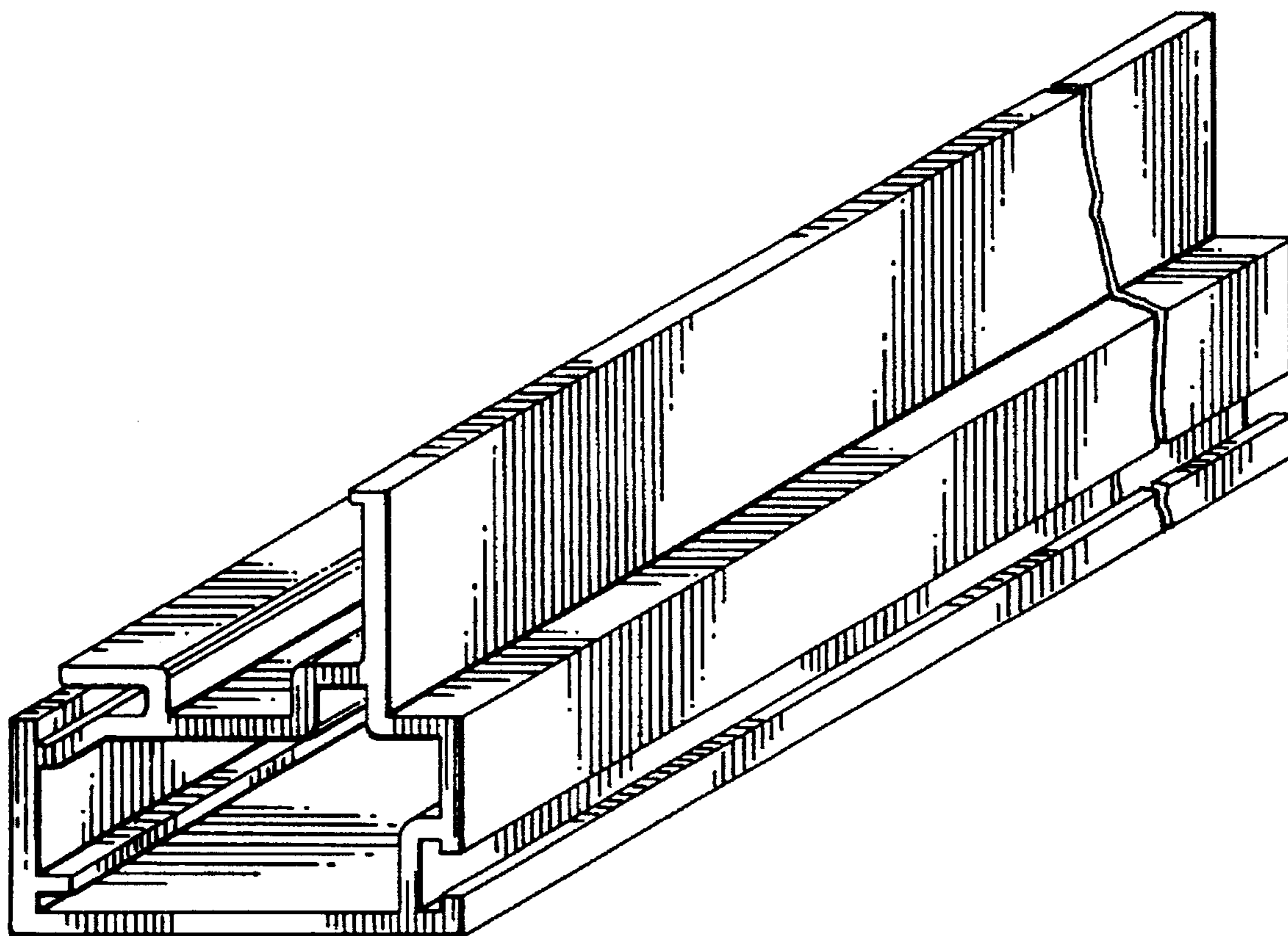


FIG. 1.

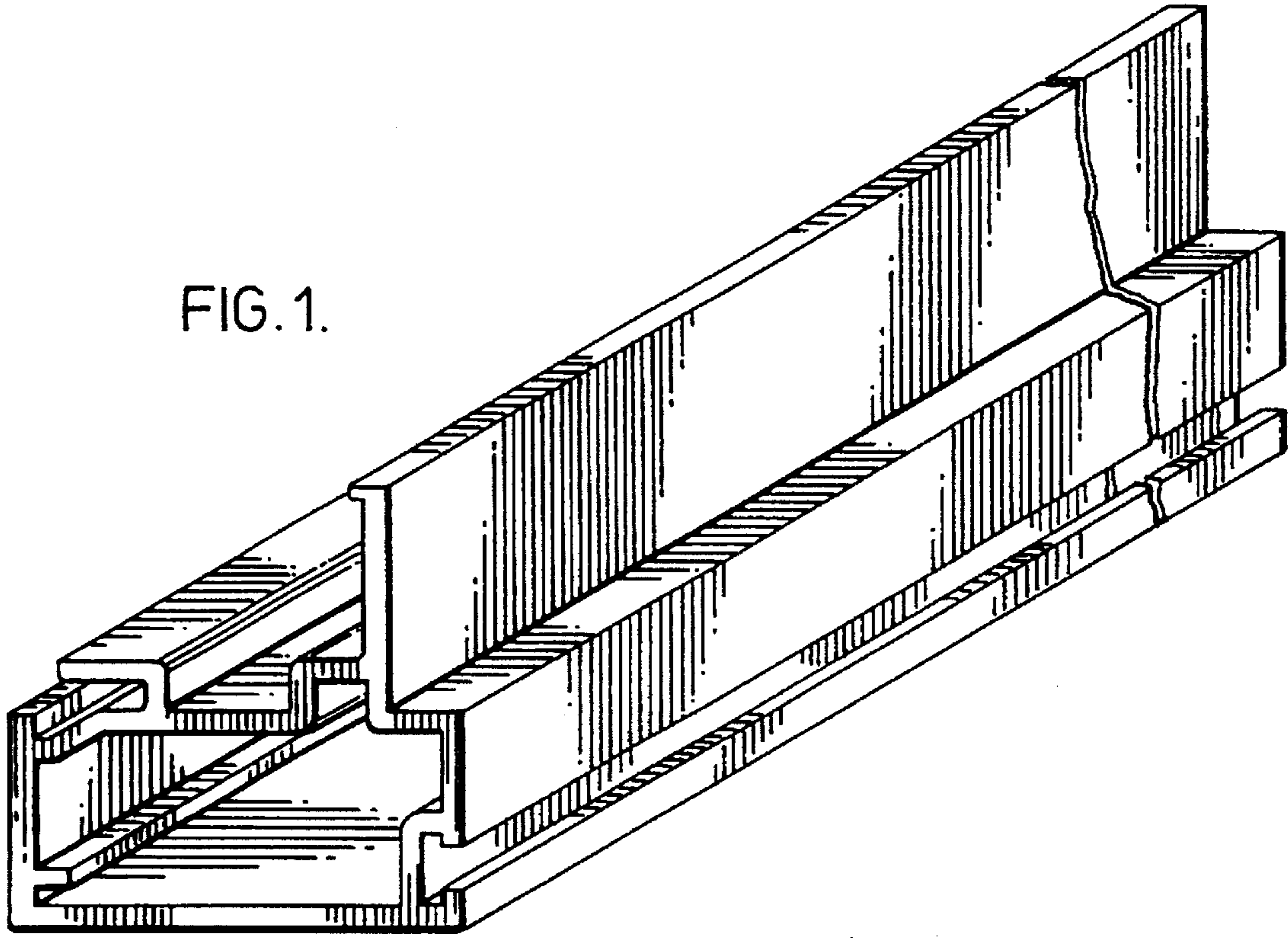


FIG. 2.

