



US00D382652S

United States Patent [19]
Colitto

[11] **Patent Number: Des. 382,652**

[45] **Date of Patent: **Aug. 19, 1997**

[54] **SASH**
[75] **Inventor: Domenic Colitto, Ontario, Canada**
[73] **Assignee: Royal Extrusions Limited, Woodbridge, Canada**
[**] **Term: 14 Years**

D. 301,065 5/1989 Dallaire et al. D25/122

Primary Examiner—Doris Clark

[21] **Appl. No.: 55,296**
[22] **Filed: Jun. 3, 1996**

[57] **CLAIM**

The ornamental design for a sash, as shown and described.

[51] **LOC (6) Cl. 25-01**
[52] **U.S. Cl. D25/122**
[58] **Field of Search D25/52, 122, 124, D25/60; 52/730.3, 656.6, 204.5; 49/501, 504, DIG. 2**

DESCRIPTION

FIG. 1 is a perspective view of the sash to which the design is applied; and,

FIG. 2 is an end view of the sash.

The Sash is broken away near the end to indicate indeterminate length.

[56] **References Cited**

U.S. PATENT DOCUMENTS

D. 243,683 3/1977 Dallaire D25/124

1 Claim, 1 Drawing Sheet

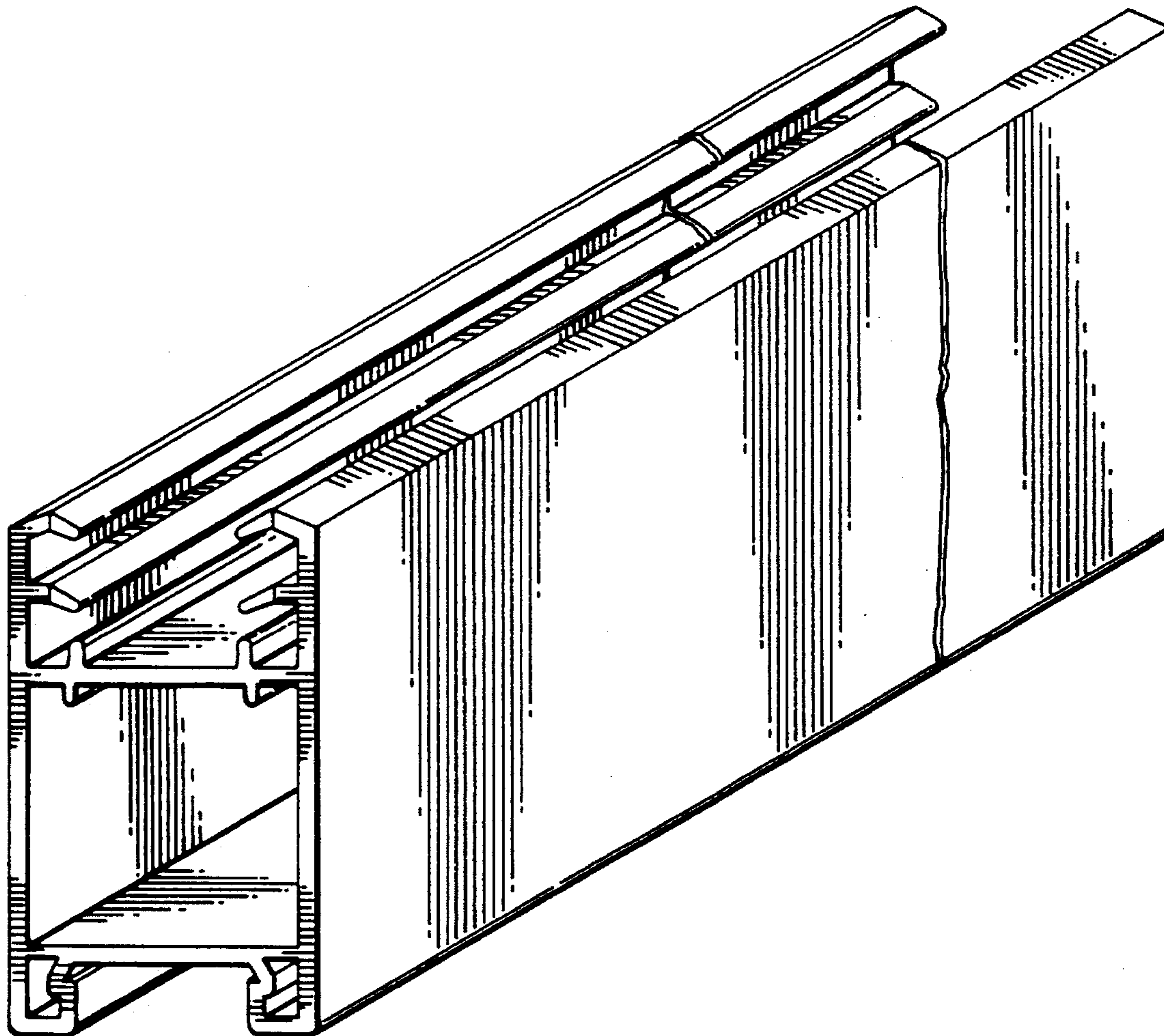


FIG. 2.

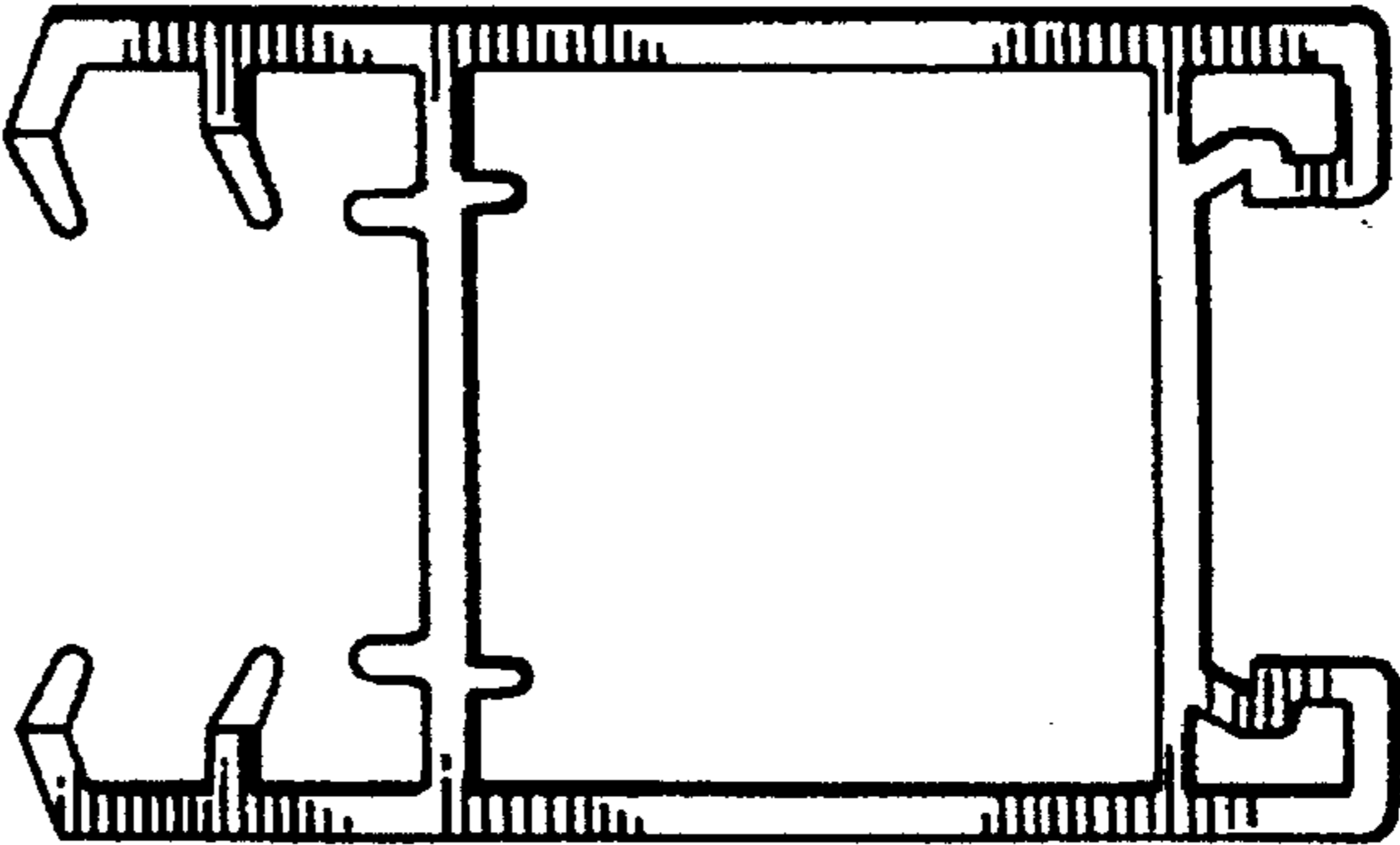


FIG. 1.

