



US00D382651S

**United States Patent** [19]  
**Colitto**

[11] **Patent Number: Des. 382,651**

[45] **Date of Patent: \*\*Aug. 19, 1997**

[54] **BOTTOM RAIL**

*Primary Examiner—Doris Clark*

[75] **Inventor: Domenic Colitto, Bolton, Canada**

[57] **CLAIM**

[73] **Assignee: Royal Extrusions Limited,  
Woodbridge, Canada**

The ornamental design for a bottom rail, as shown and described.

[\*\*] **Term: 14 Years**

**DESCRIPTION**

[21] **Appl. No.: 55,294**

FIG. 1 is a perspective view of the bottom rail to which the design is applied; and,

[22] **Filed: Jun. 3, 1996**

FIG. 2 is an end view of the bottom rail.

[51] **LOC (6) Cl. .... 25-01**

[52] **U.S. Cl. .... D25/122**

[58] **Field of Search** ..... D25/52, 122, 124,  
D25/60; 52/204.5; 49/501, 504, DIG. 2

The bottom rail is broken away near the end to indicate indeterminate length.

[56] **References Cited**

**U.S. PATENT DOCUMENTS**

D. 259,810 7/1981 Dallaire ..... D25/122

**1 Claim, 1 Drawing Sheet**

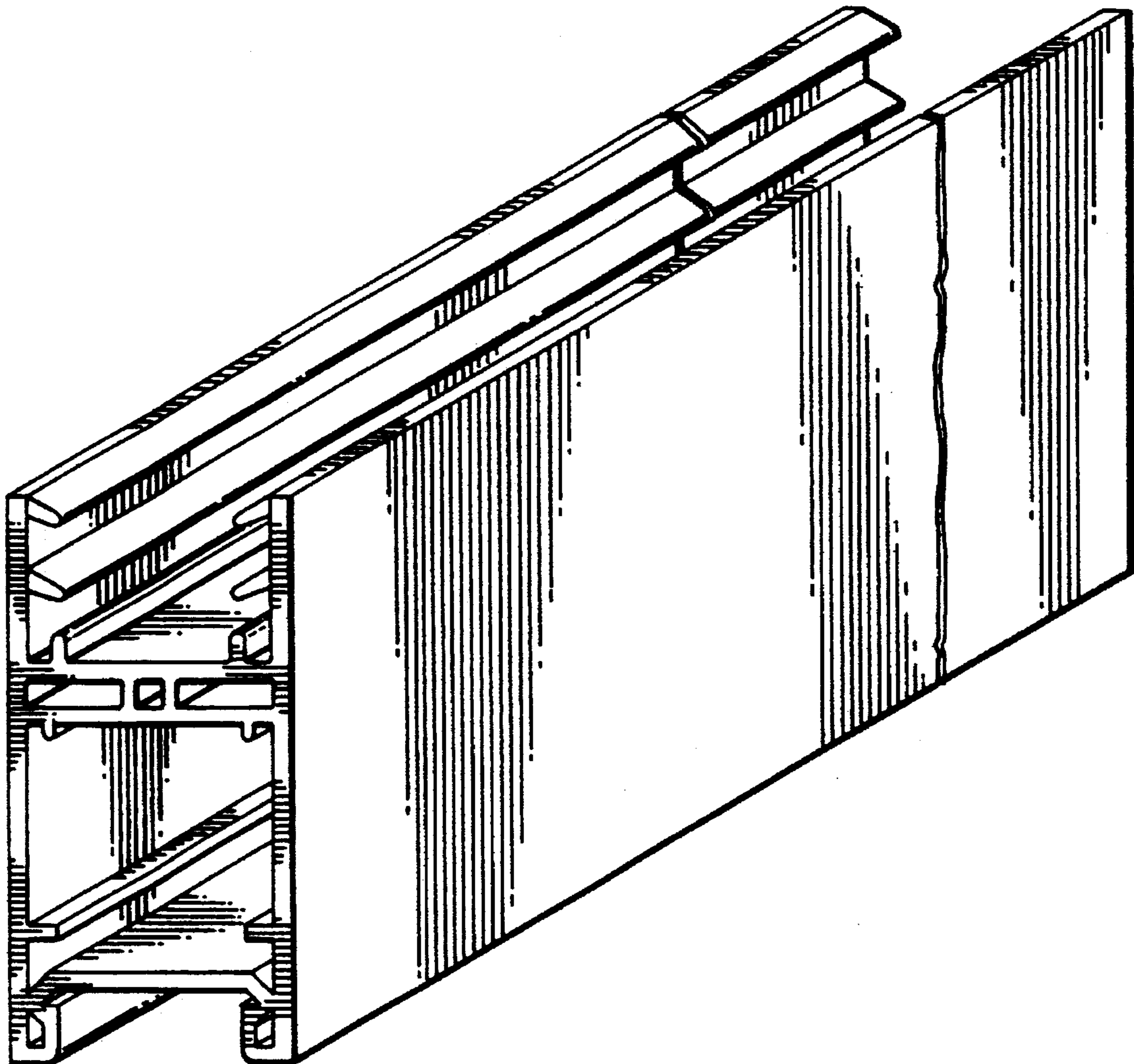


FIG. 2.

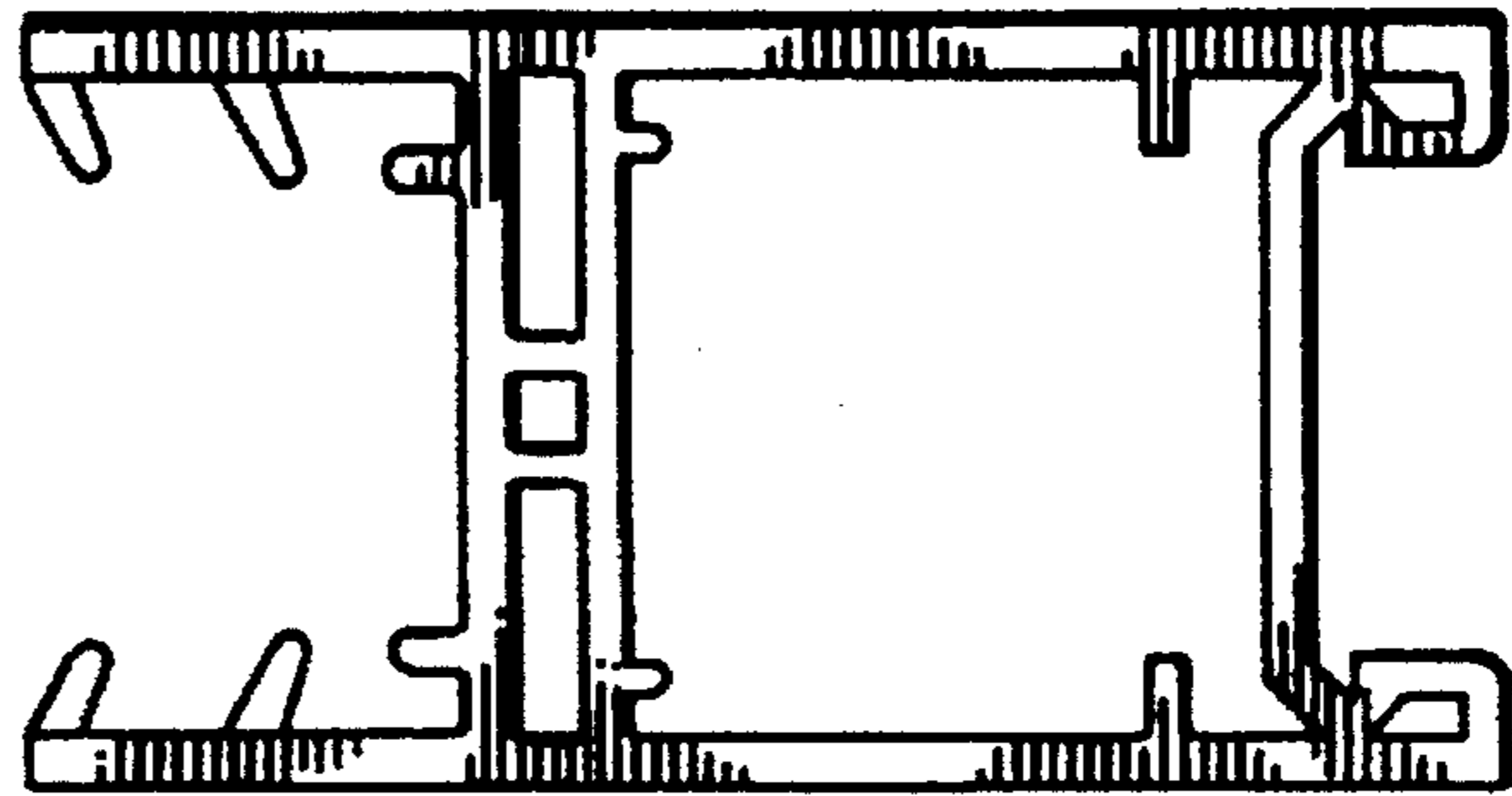


FIG. 1.

