



US00D382648S

United States Patent [19]

[11] Patent Number: Des. 382,648

Shartle et al.

[45] Date of Patent: **Aug. 19, 1997

[54] **HOLDER FOR RECEIVING TWO CUVETTES**

[75] Inventors: **Robert J. Shartle**, Livermore; **Phillip H. Gooding**, Mountain View, both of Calif.

[73] Assignee: **Biometric Imaging, Inc.**, Mountain View, Calif.

[**] Term: **14 Years**

[21] Appl. No.: **53,137**

[22] Filed: **Apr. 4, 1996**

[51] LOC (6) Cl. **24-02**

[52] U.S. Cl. **D24/224; D24/216; D24/223; D24/225**

[58] Field of Search **D24/225, 224, D24/223, 69; 422/102, 104, 68.1, 55, 56, 64; 436/806, 810**

[56] **References Cited**

U.S. PATENT DOCUMENTS

D. 302,294	7/1989	Hillman	D24/223
D. 333,185	2/1993	Anderson et al.	D24/225
D. 337,164	7/1993	Lauks et al.	D24/169 X
D. 351,913	10/1994	Hieb et al.	D24/225
D. 366,938	2/1996	Shartle et al.	D24/225 X
4,301,412	11/1981	Hill et al.	D24/169 X
4,318,994	3/1982	Meyer et al.	D24/224

4,673,657	6/1987	Christian	D24/223 X
4,868,129	9/1989	Gibbons et al.	436/179
5,000,923	3/1991	Coville et al.	422/104
5,164,067	11/1992	Marsoner et al.	422/104
5,173,193	12/1992	Schembri	210/782
5,260,221	11/1993	Ramel et al.	D24/225
5,320,808	6/1994	Holen et al.	422/64

FOREIGN PATENT DOCUMENTS

93/19827 10/1993 WIPO .

Primary Examiner—Louis S. Zarfaz

Assistant Examiner—I. Simmons

Attorney, Agent, or Firm—Fulwider Patton Lee & Utecht, LLP

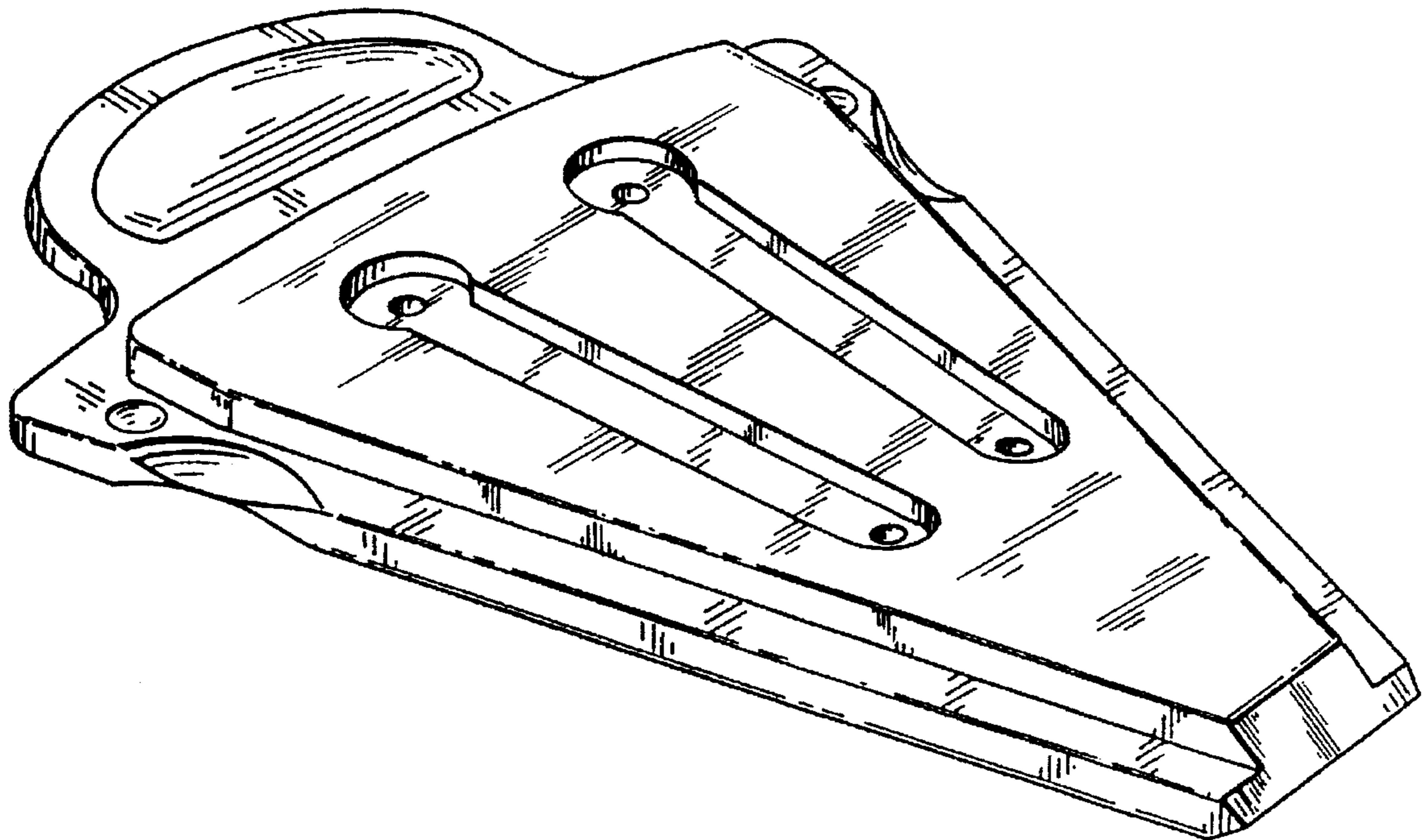
[57] **CLAIM**

The ornamental design for a holder for receiving two cuvettes, as shown.

DESCRIPTION

FIG. 1 is a front, top right perspective view of a holder for receiving two cuvettes, showing our new design; FIG. 2 is a right side elevational view of the invention, with left side elevational view being a mirror image thereof; FIG. 3 is a top plan view of the invention; FIG. 4 is a bottom plan view of the invention; FIG. 5 is a rear elevational view of the invention; and, FIG. 6 is a front elevational view of the invention.

1 Claim, 3 Drawing Sheets



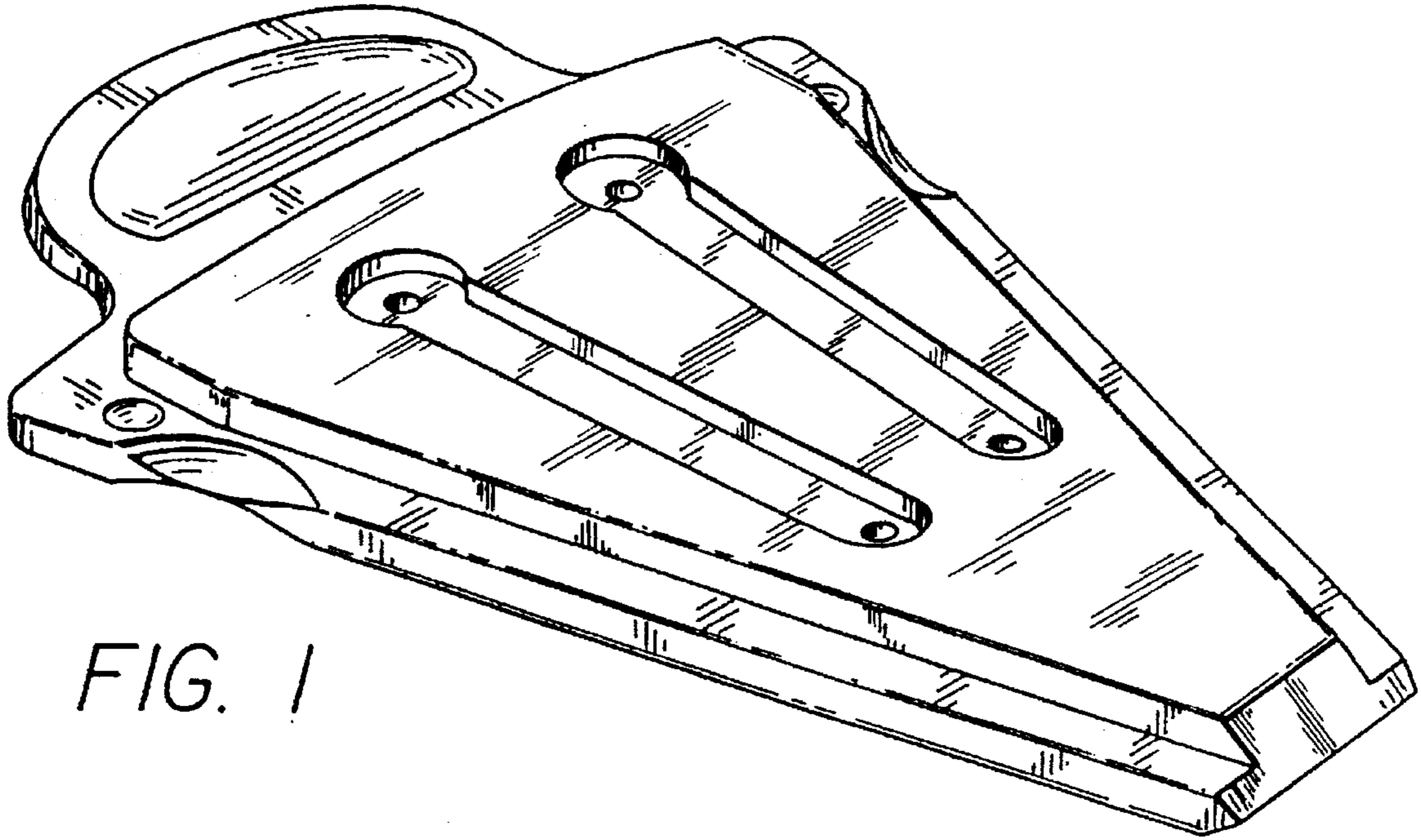


FIG. 1

FIG. 5

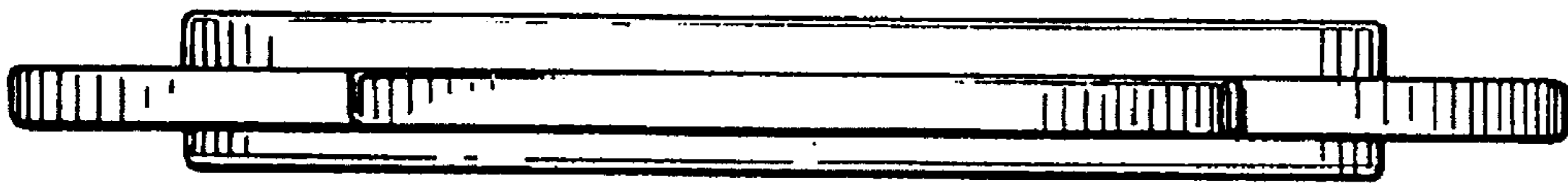
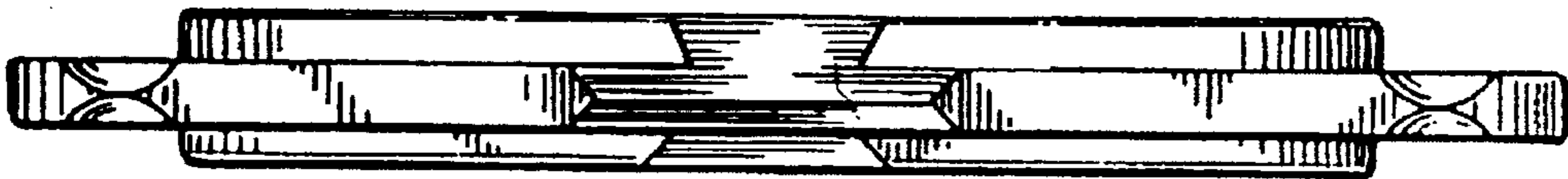


FIG. 6



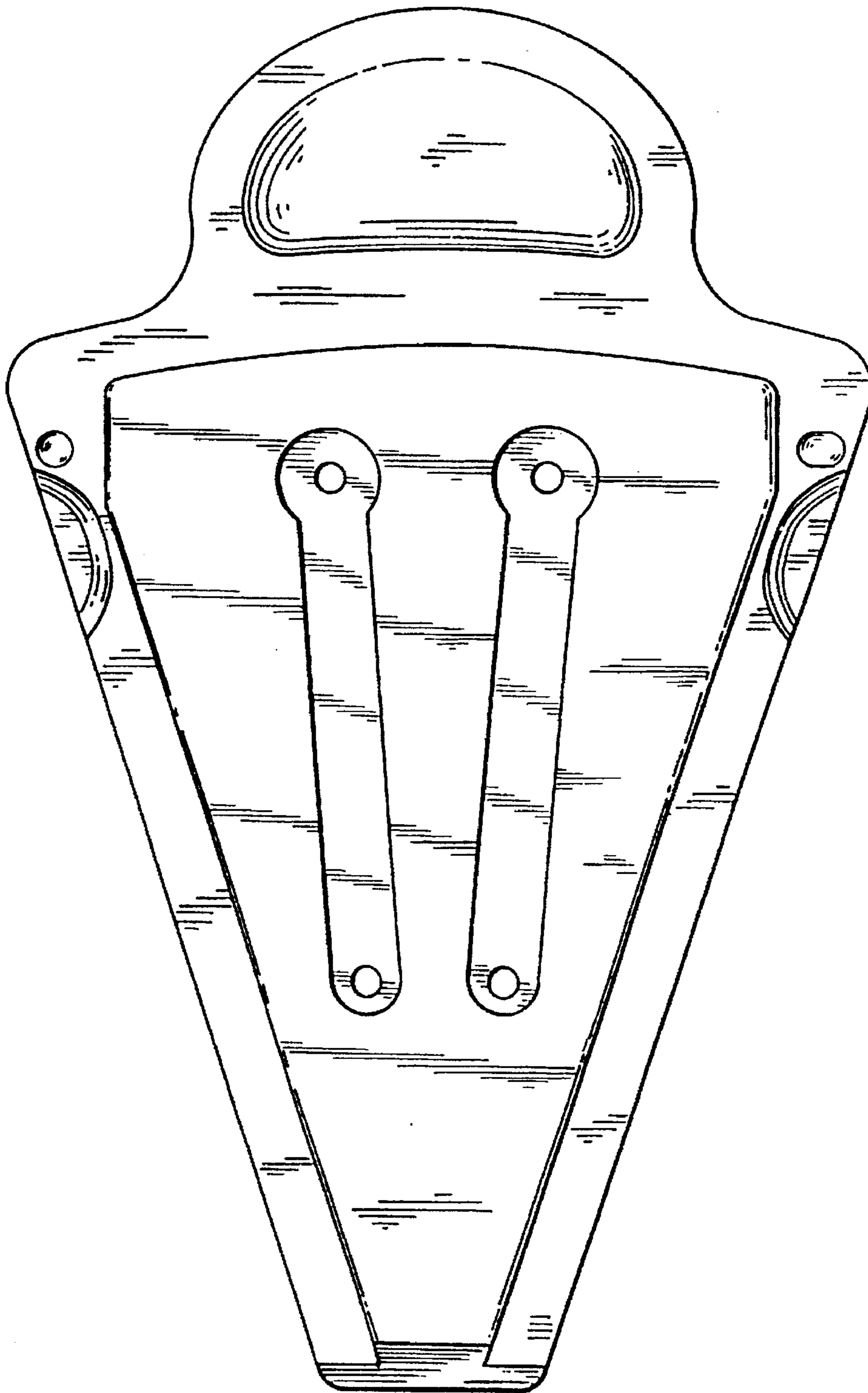


FIG. 3



FIG. 2

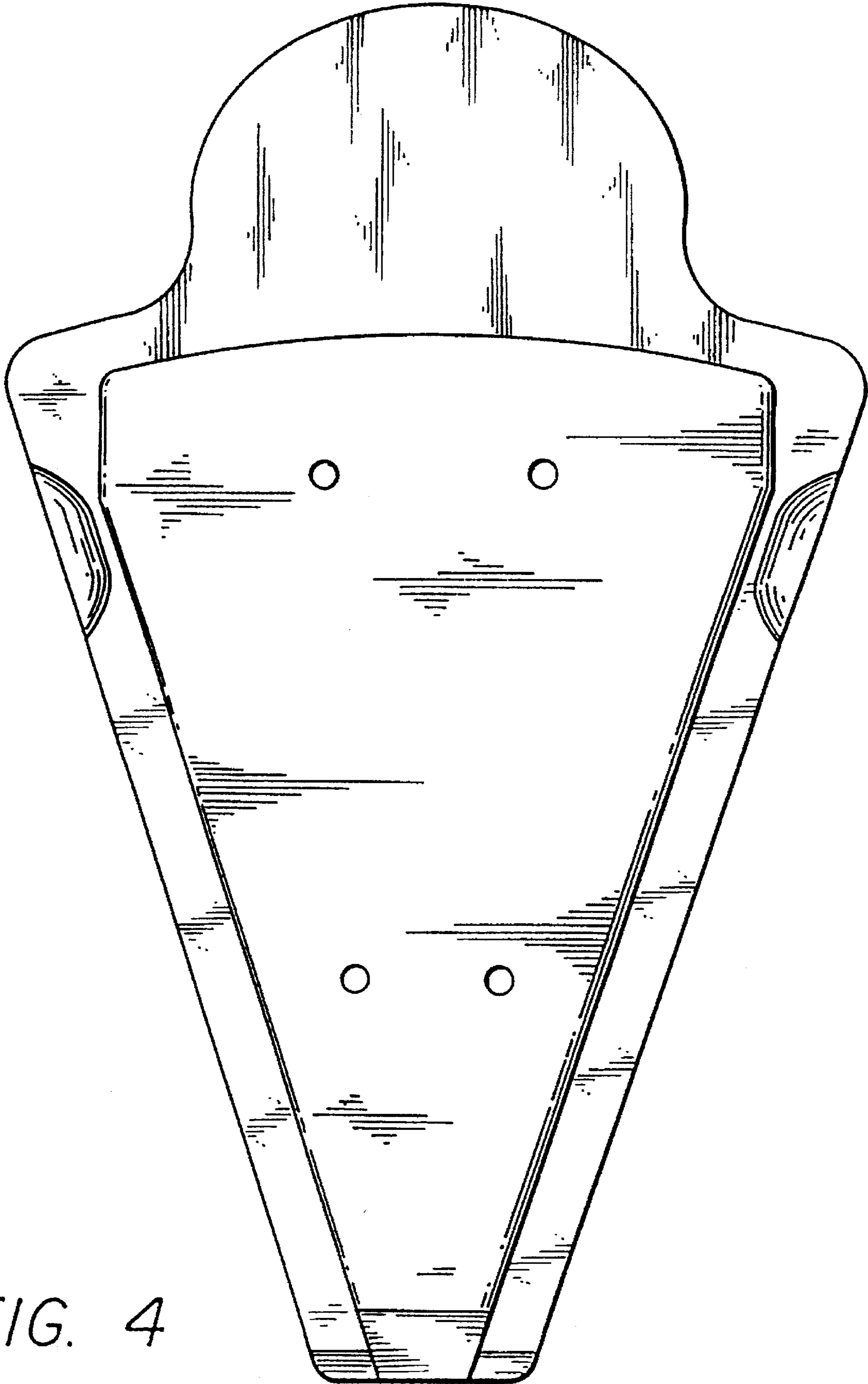


FIG. 4