



US00D382640S

United States Patent [19]

[11] Patent Number: **Des. 382,640**

Paul et al.

[45] Date of Patent: ****Aug. 19, 1997**

[54] **SINUS TRANSLUMINATING INSTRUMENT**

[76] Inventors: **Glennon H. Paul**, 2420 Old Beardstown Rd., Springfield, Ill. 62702; **Mark A. Heitzman**, 1333 N. Rutledge St., Springfield, Ill. 62702; **John P. McGee**, 1825 Albert St., Springfield, Ill. 62702

3,856,001	12/1974	Phillips	128/11
3,890,960	6/1975	Wunsch et al.	128/15
4,643,172	2/1987	Taff et al.	128/16
4,785,796	11/1988	Mattson	600/249 X
4,807,599	2/1989	Robinson et al.	128/16
4,834,077	5/1989	Sun	128/11
4,996,976	3/1991	Nakagawa	128/16
5,318,009	6/1994	Robinson	600/241

[**] Term: **14 Years**

FOREIGN PATENT DOCUMENTS

1118877	6/1956	France	600/241
---------	--------	--------	---------

[21] Appl. No.: **46,929**

Primary Examiner—Louis S. Zarfes

[22] Filed: **Nov. 21, 1995**

Assistant Examiner—I. Simmons

[51] **LOC (6) Cl.** **24-02**

[57] **CLAIM**

[52] **U.S. Cl.** **D24/137; D24/138; D26/38**

The ornamental design for a sinus transluminating instrument, as shown and described.

[58] **Field of Search** D24/137, 138, D24/231; D26/37, 40, 38; 362/154, 156, 200, 72, 157, 205, 120, 119; 600/2, 212, 240, 241, 249

DESCRIPTION

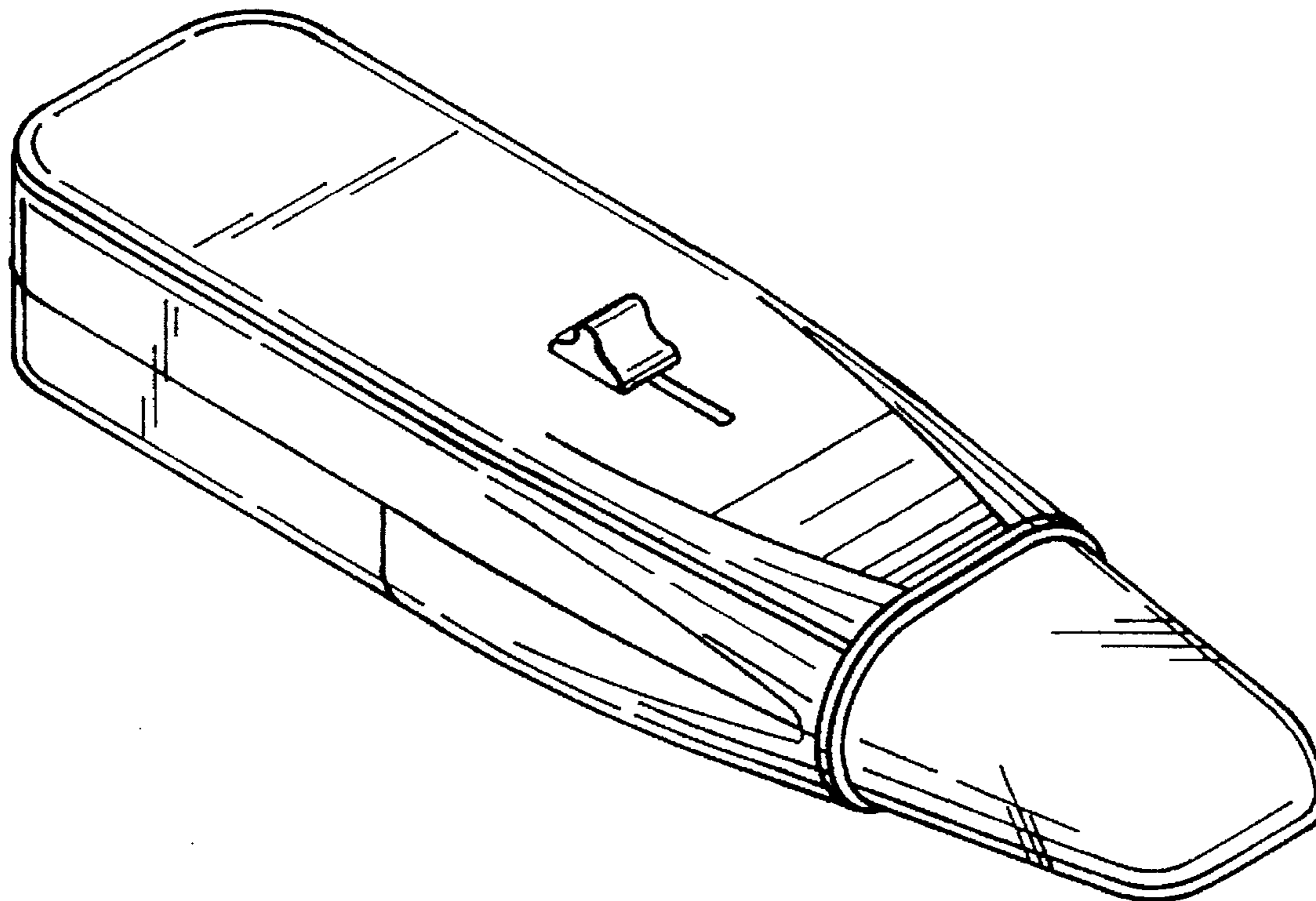
[56] **References Cited**

FIG. 1 is a front perspective view of a sinus transluminating instrument showing our new design; FIG. 2 is a top view thereof; FIG. 3 is a bottom view thereof; FIG. 4 is a right side view thereof; FIG. 5 is a left side view thereof; FIG. 6 is a front side view thereof; and, FIG. 7 is a back side view thereof.

U.S. PATENT DOCUMENTS

D. 210,905	4/1968	Kahn	D26/37
D. 311,963	11/1990	Reback et al.	D24/37
1,932,473	10/1933	Morgan et al.	600/241 X
3,349,764	10/1967	Edinger et al.	128/16
3,435,820	4/1969	Taur	128/11

1 Claim, 2 Drawing Sheets



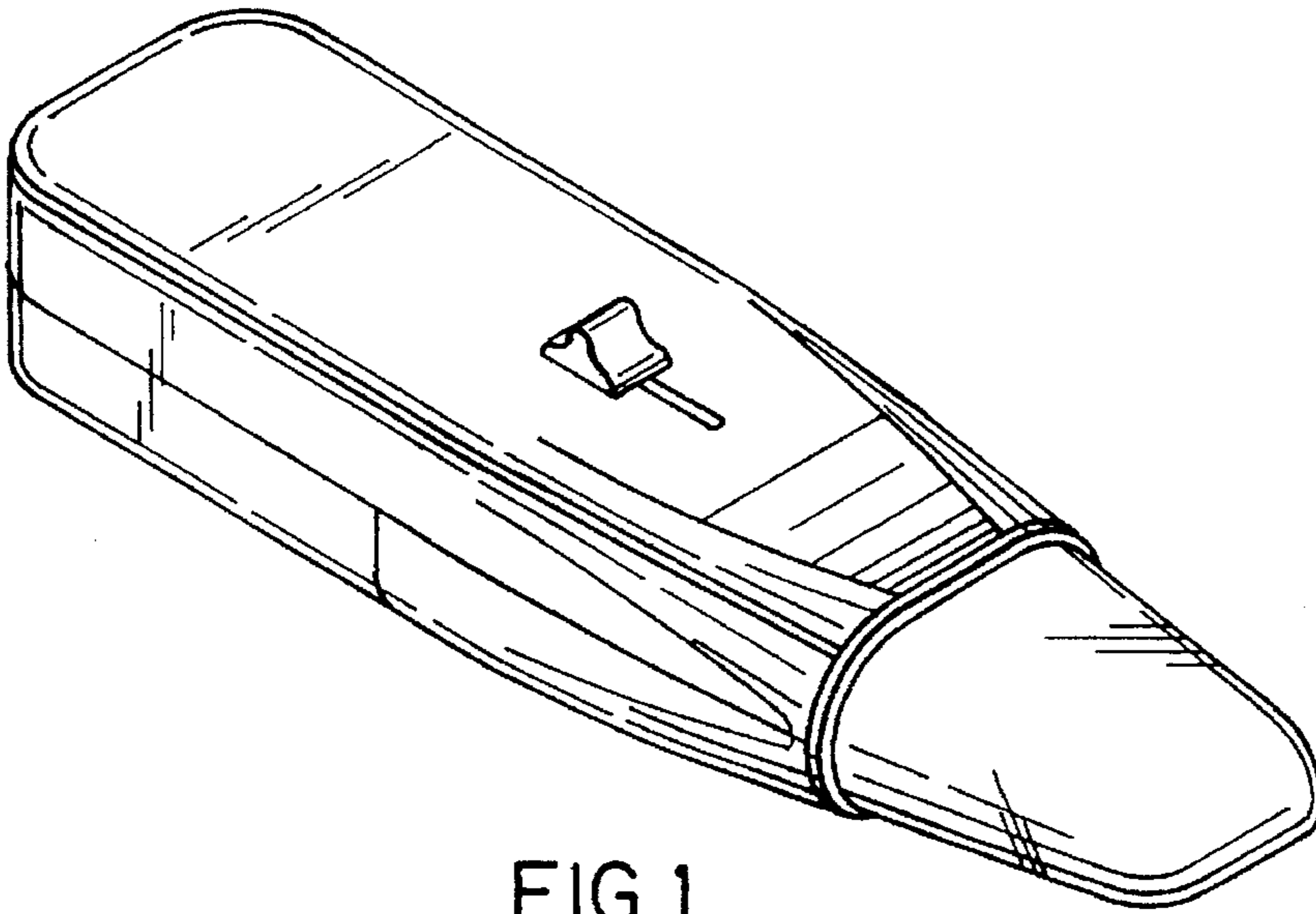


FIG. 1

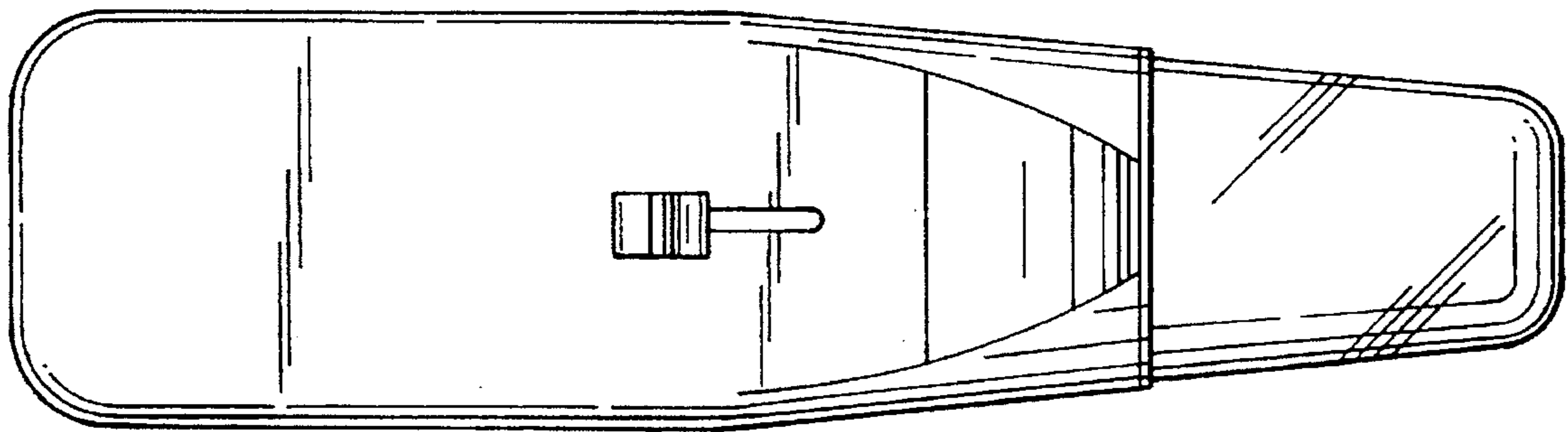


FIG. 2

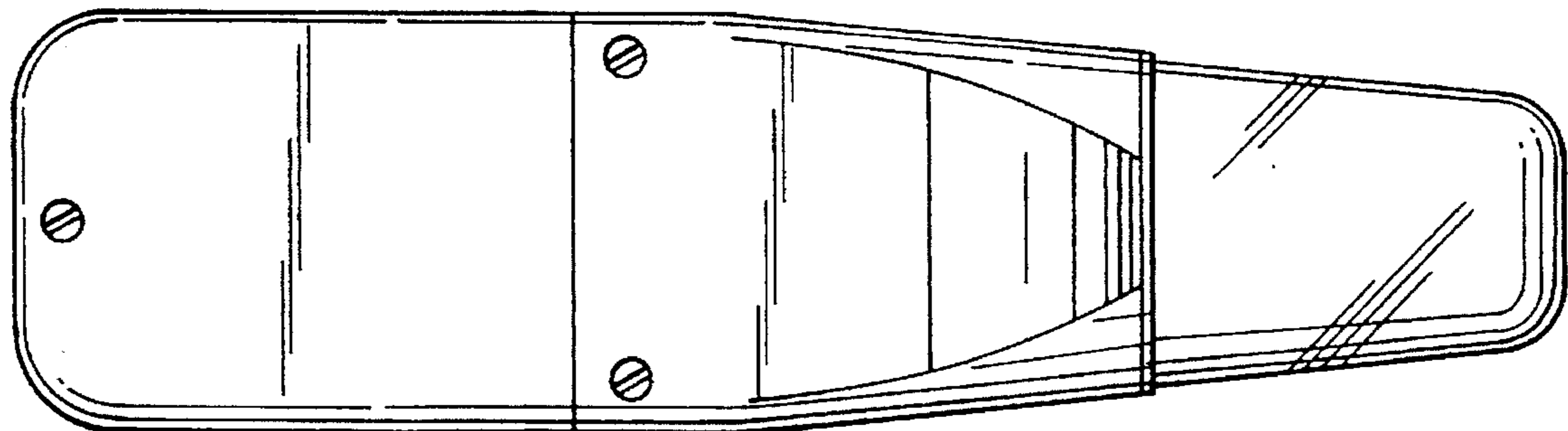


FIG. 3

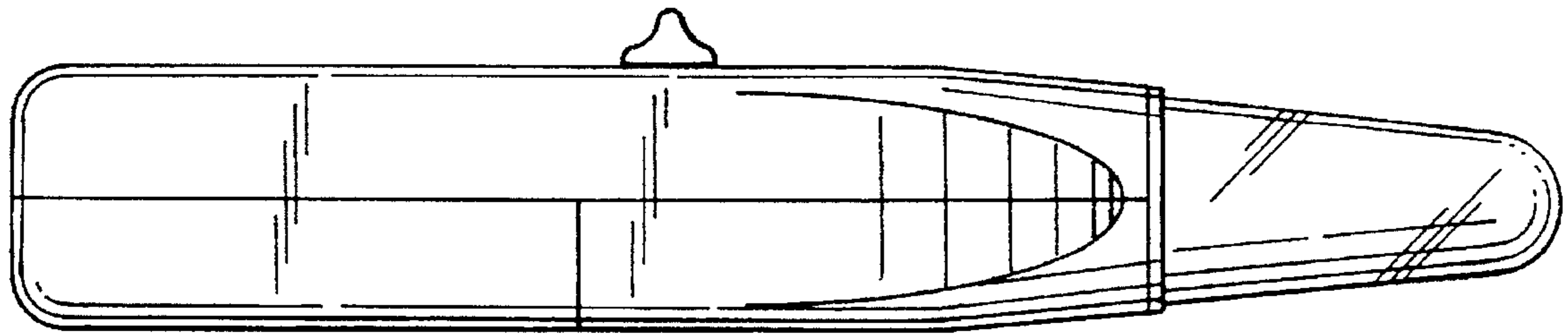


FIG. 4

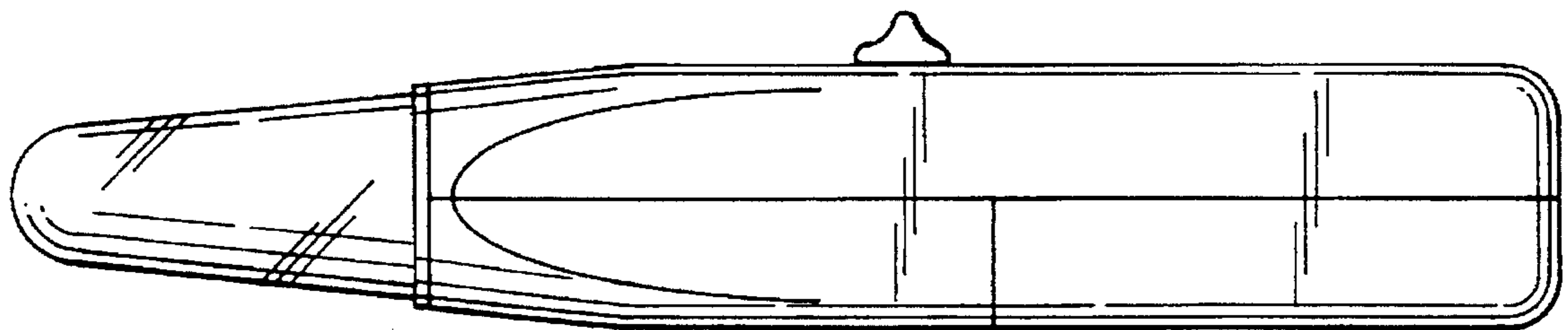


FIG. 5

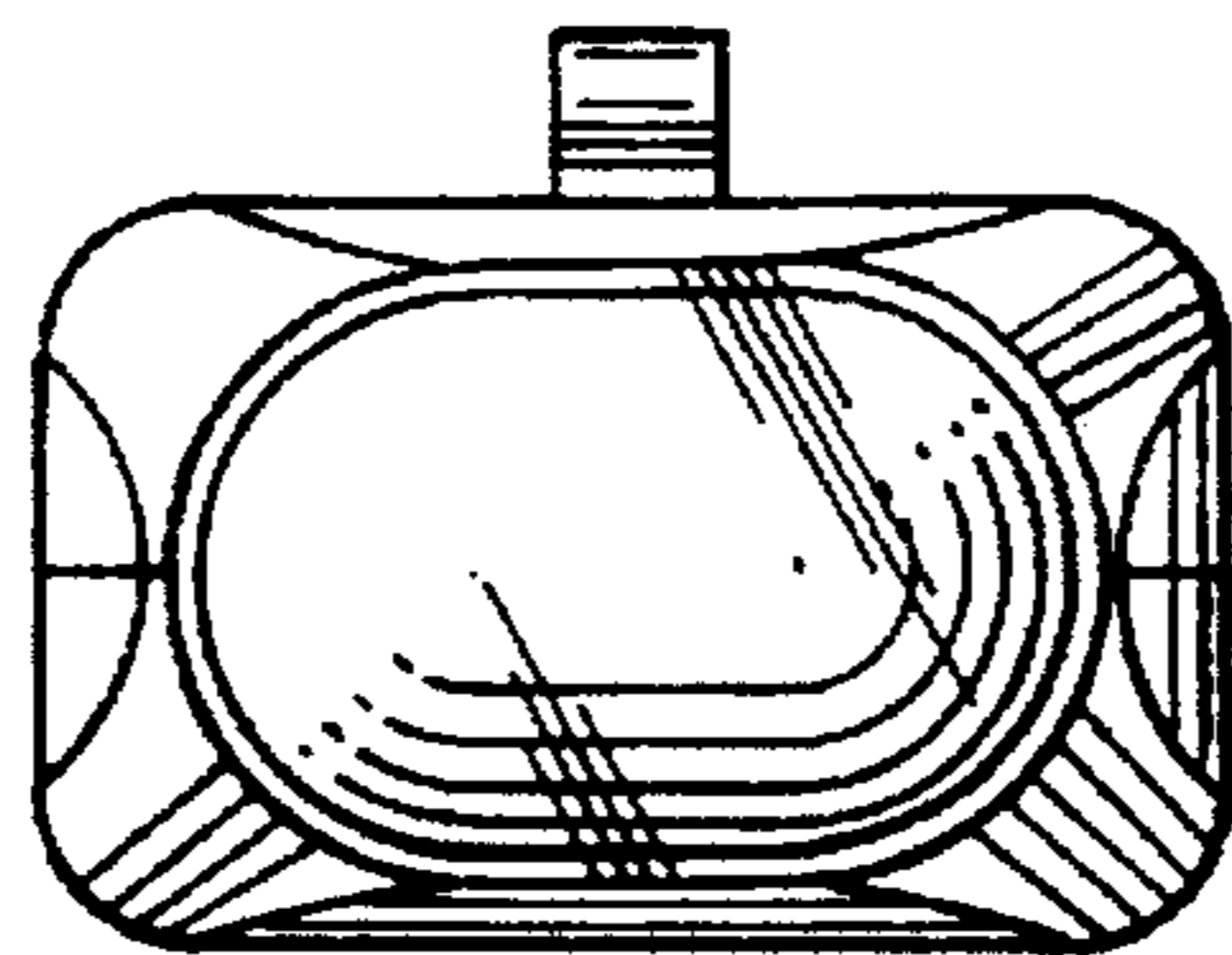


FIG. 6

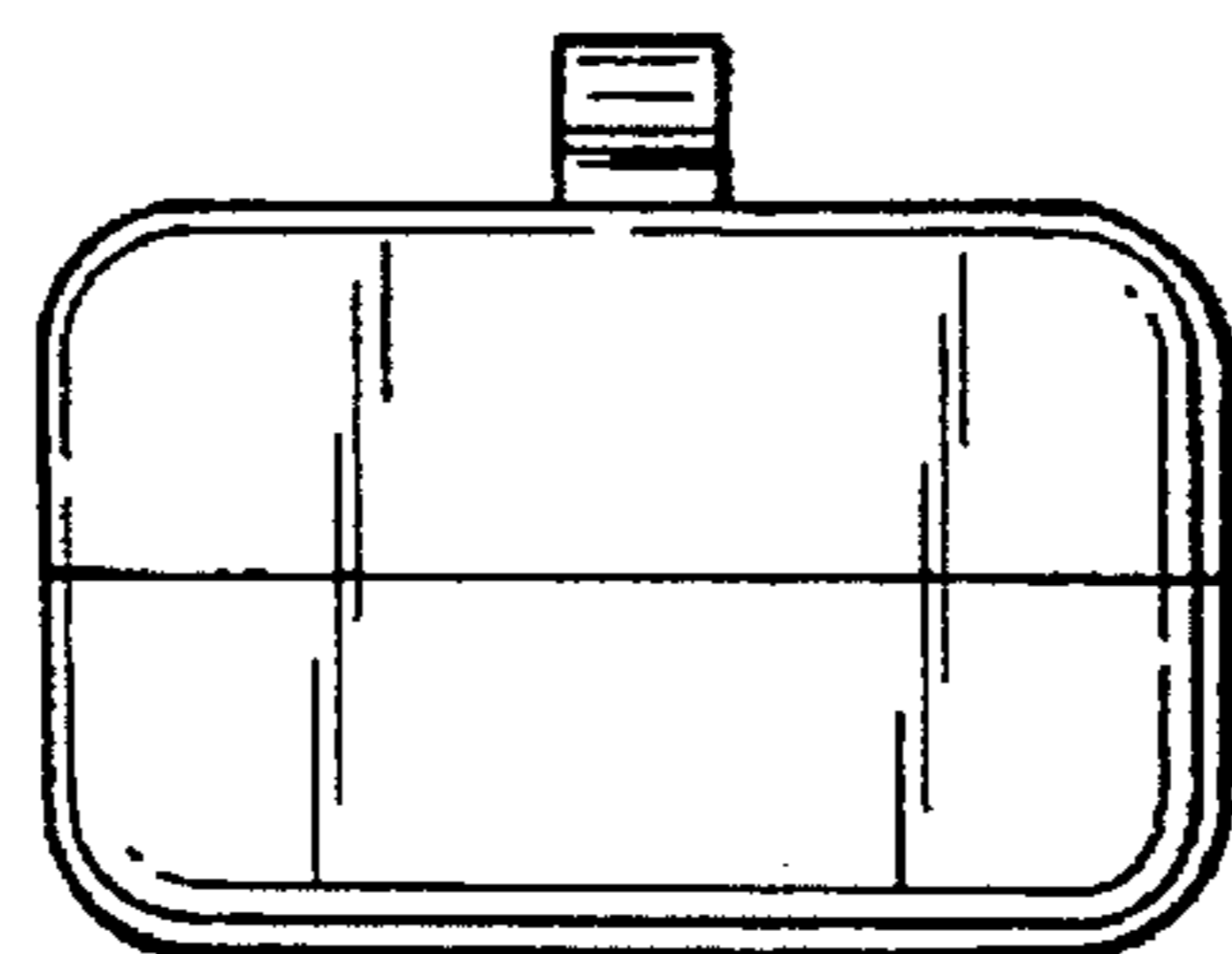


FIG. 7