



US00D382639S

United States Patent [19]

[11] Patent Number: Des. 382,639

Musgrave et al.

[45] Date of Patent: **Aug. 19, 1997

[54] BARBED LUER

OTHER PUBLICATIONS

[75] Inventors: **Kenneth C. Musgrave; Glade H. Howell**, both of Sandy; **Christopher N. Cindrich**, Provo, all of Utah

Ark-Plas Products inc. "Miniature Plastic Luer Fittings" – front cover–upper right fitting Nov. 1987.

Value Plastics, Inc. "Instrument Quality Fittings" p. 21 model numbers FLT 10, 20 & 30 1996–97.

[73] Assignee: **Becton Dickinson and Company**, Franklin Lakes

Primary Examiner—Louis S. Zarfes

Assistant Examiner—Gregory Andoll

Attorney, Agent, or Firm—Eric M. Lee, Esq.

[**] Term: 14 Years

[57] CLAIM

[21] Appl. No.: 50,894

The ornamental design of the barbed luer, as shown and described.

[22] Filed: Feb. 29, 1996

DESCRIPTION

[51] LOC (6) Cl. 24-02

[52] U.S. Cl. D24/129; D24/108; D24/127

[58] Field of Search D24/129; 604/264, 604/280, 256, 164, 283, 905; D23/262, 259

FIG. 1 is a front perspective view of the body of a barbed luer showing our new design;

FIG. 2 is a rear perspective view thereof;

FIG. 3 is a rear end elevational view thereof;

FIG. 4 is a front end elevational view thereof;

FIG. 5 is a top plan view thereof the bottom being a mirror image; and,

FIG. 6 is a side elevational view thereof the other side being a mirror image.

[56] References Cited

U.S. PATENT DOCUMENTS

| | | | |
|------------|--------|----------------------|---------|
| D. 339,417 | 9/1993 | Sampson | D24/129 |
| D. 354,133 | 1/1995 | Scavitto et al. | D24/129 |
| 4,533,349 | 8/1985 | Bark | 604/174 |

1 Claim, 2 Drawing Sheets

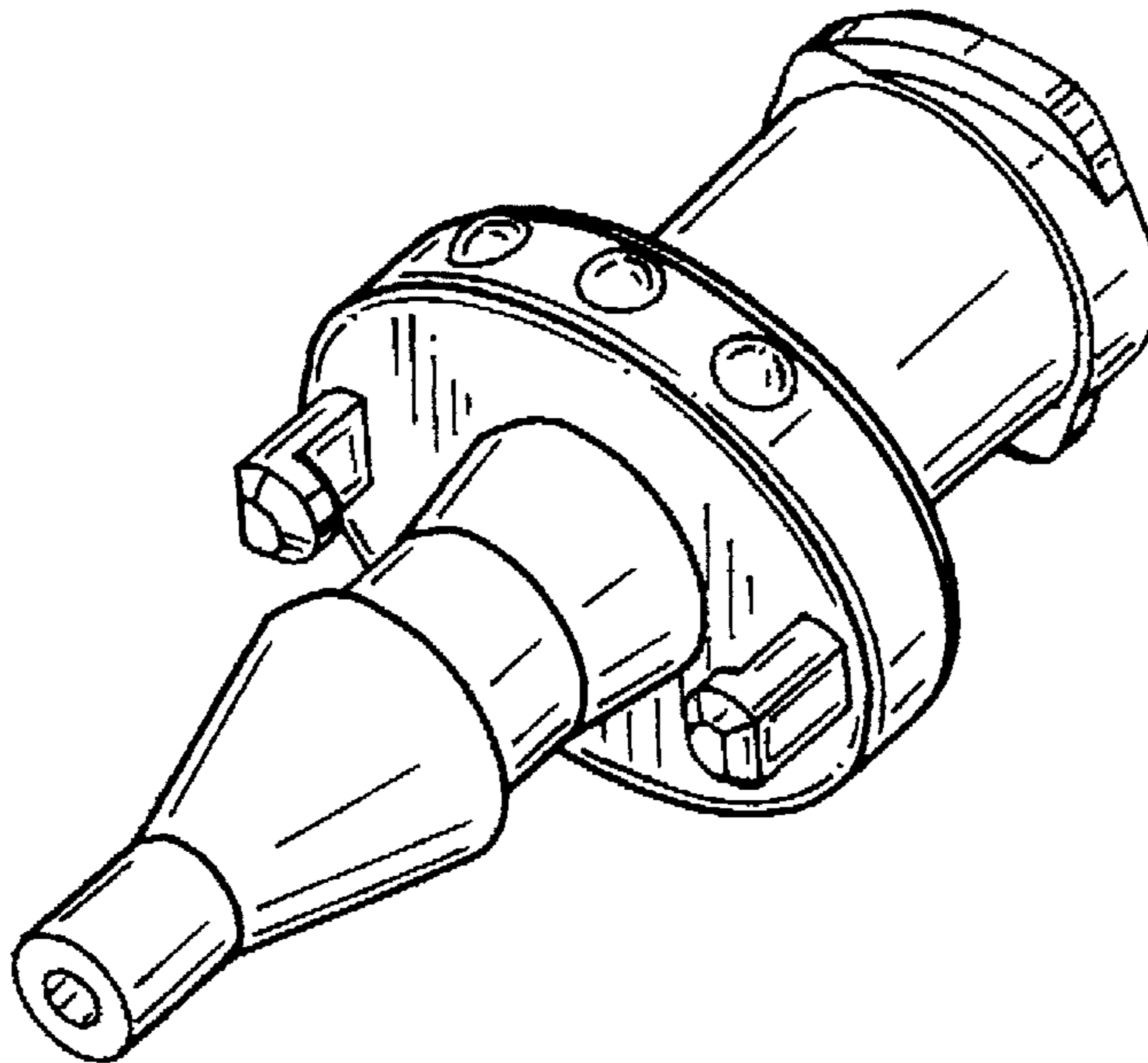


FIG-2

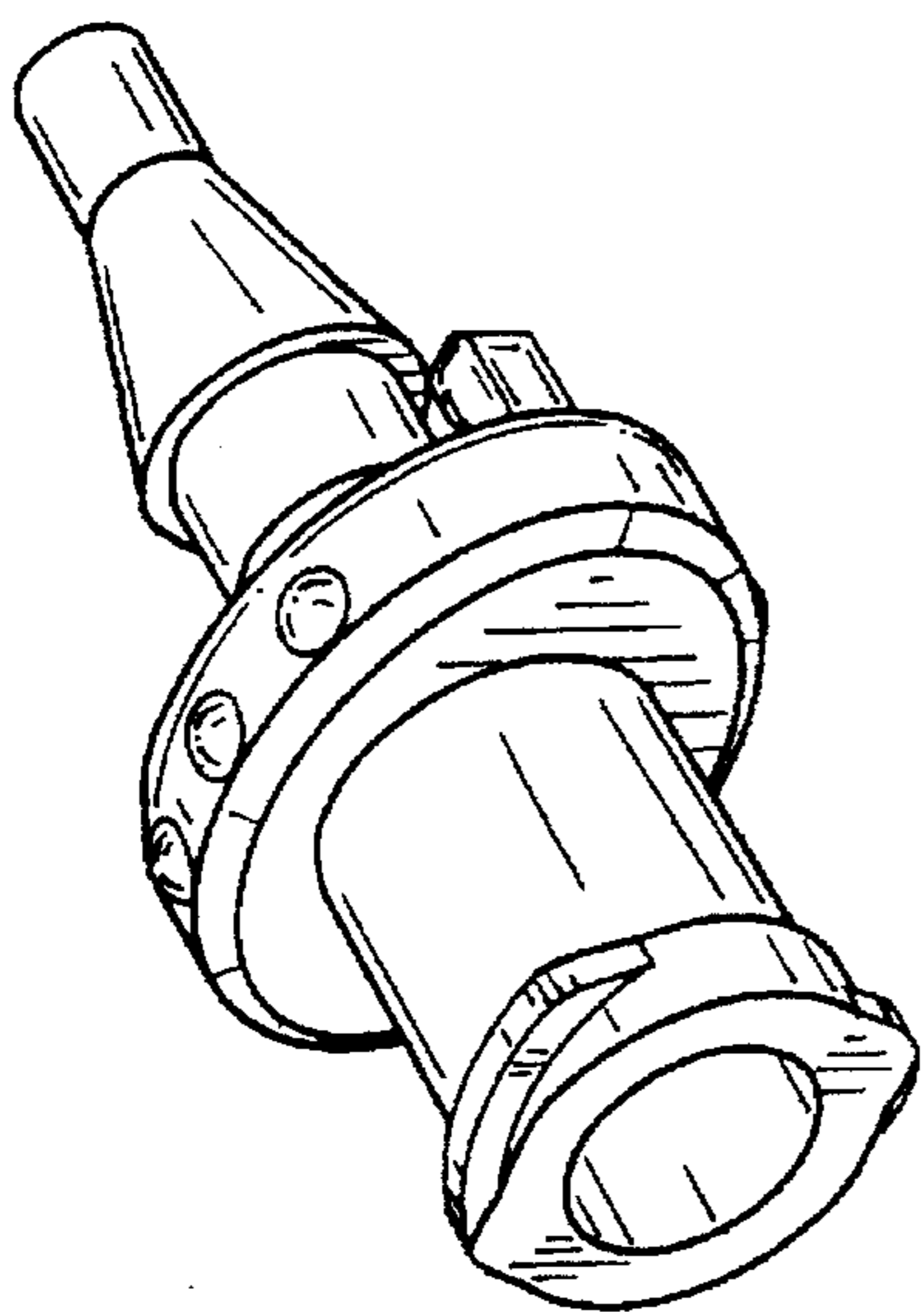


FIG-1

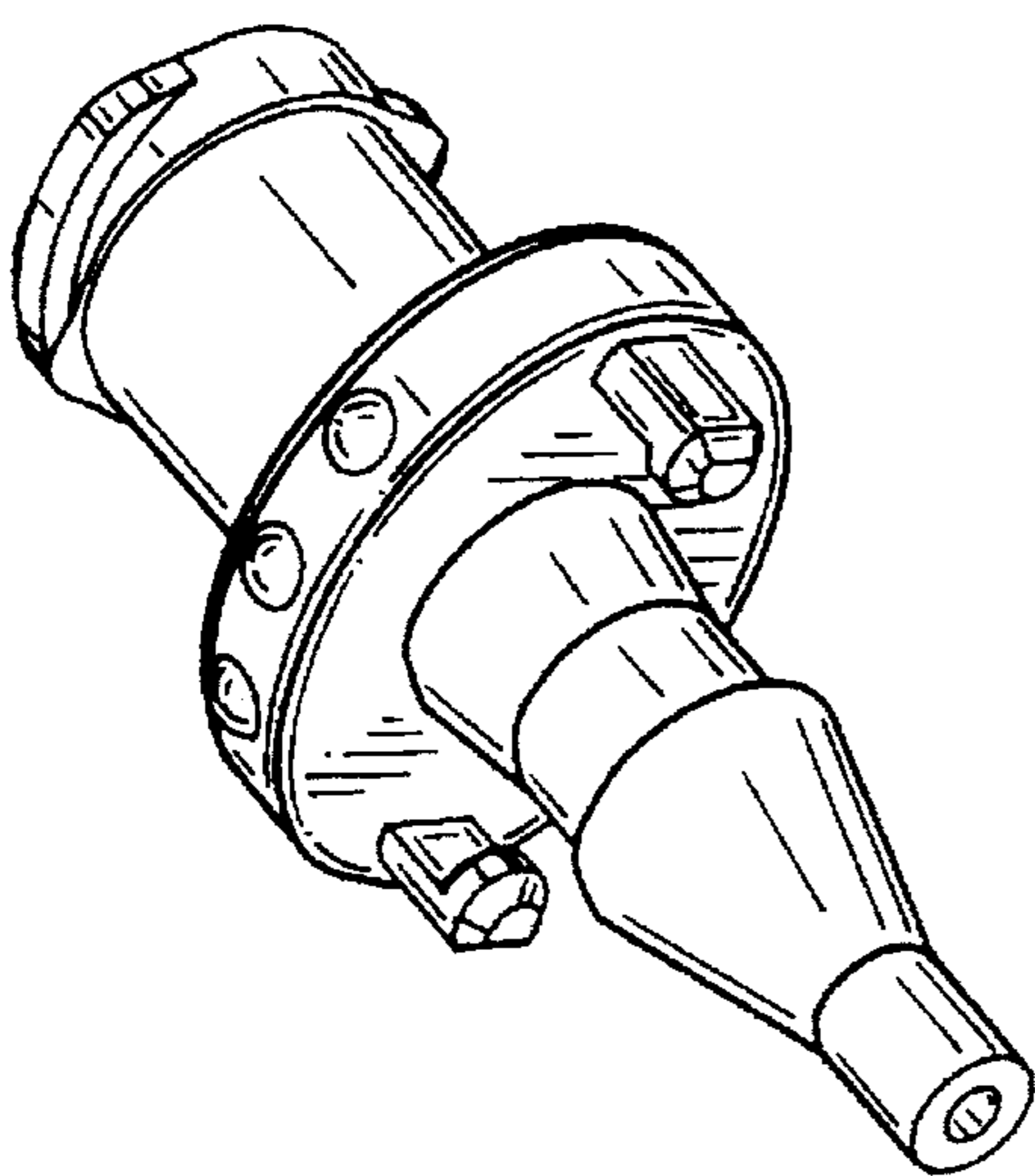


FIG-4

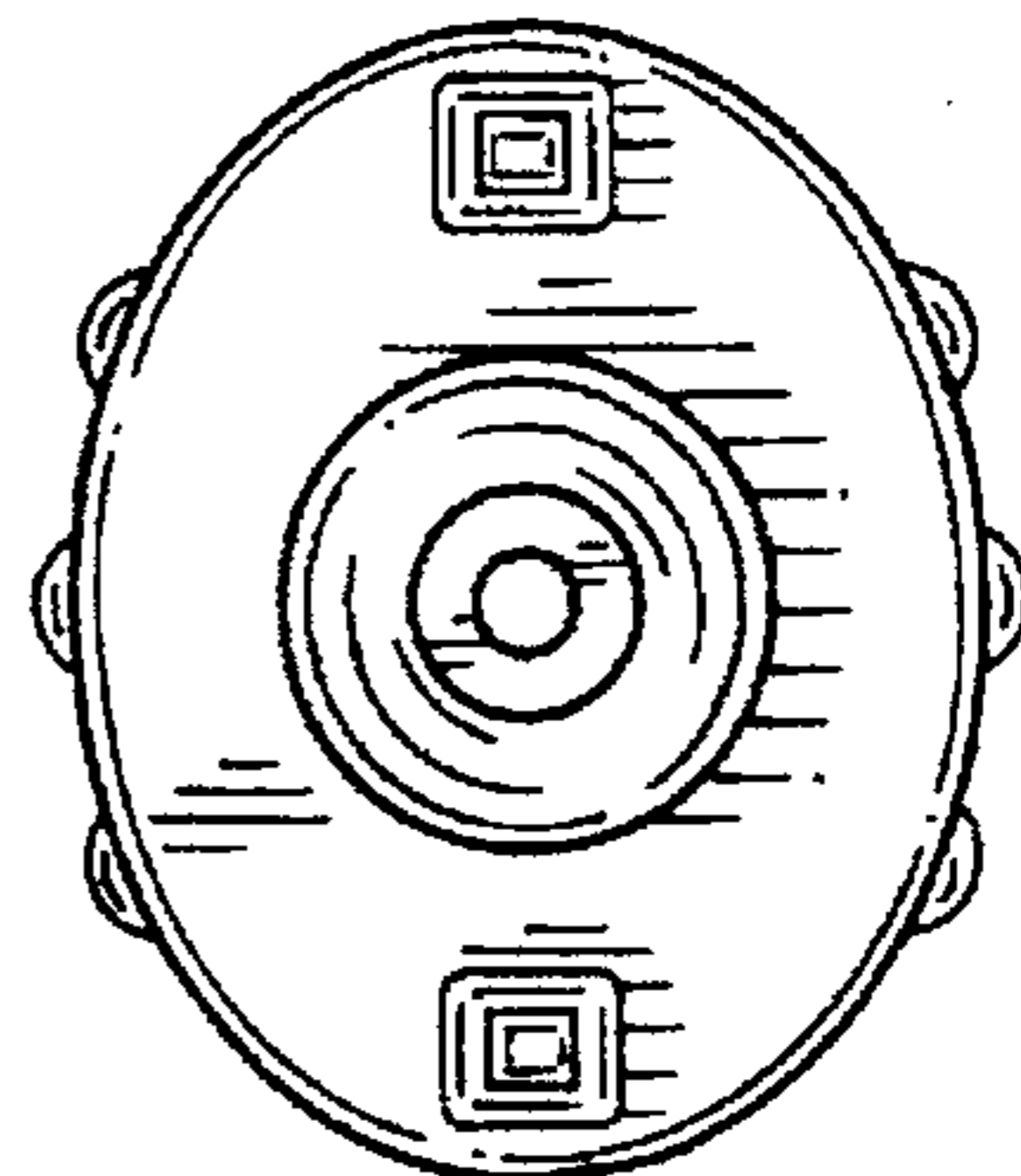


FIG-3

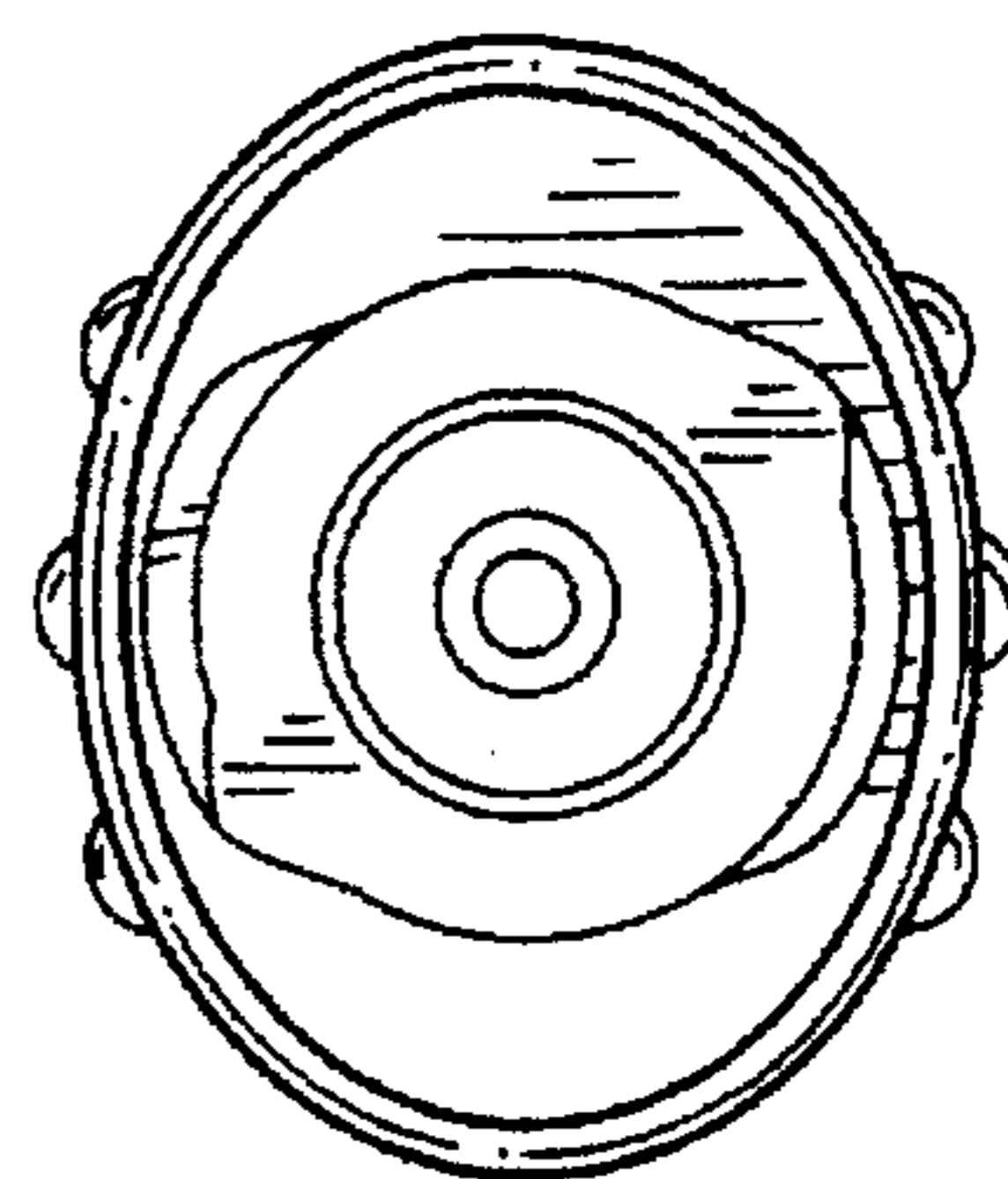


FIG-5

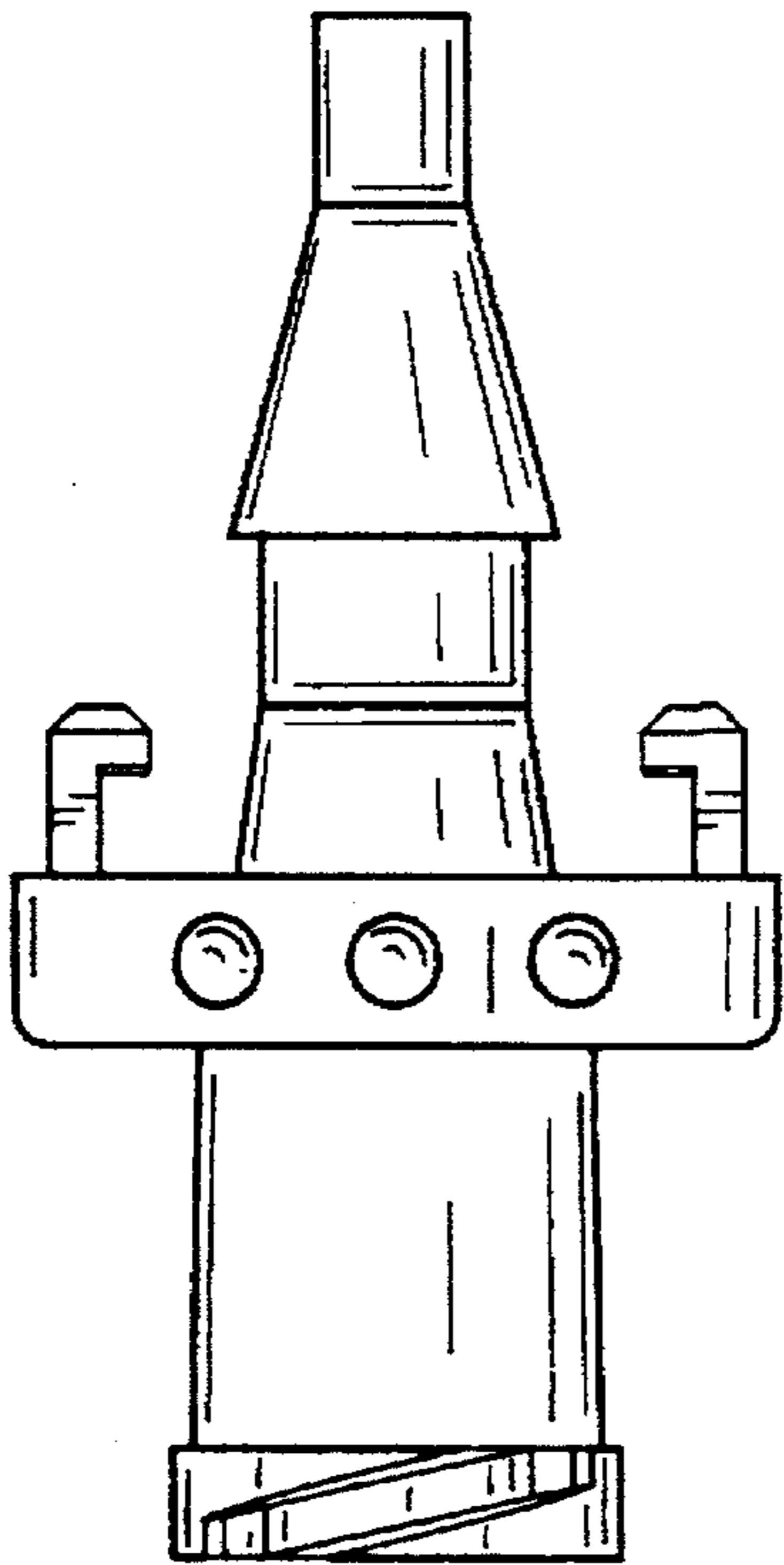


FIG-6

