



US00D382637S

**United States Patent** [19]  
**Lee**

[11] **Patent Number: Des. 382,637**

[45] **Date of Patent: \*\*Aug. 19, 1997**

[54] **COMBINED CEILING FAN AND LIGHT KIT**

[76] **Inventor: Ching-Tan Lee**, No. 52, Lane 480,  
Section 2, Fenghsi Rd., Fengyuan,  
Taichung Hsien, Taiwan

[\*\*] **Term: 14 Years**

[21] **Appl. No.: 55,201**

[22] **Filed: May 31, 1996**

[51] **LOC (6) Cl. .... 23-04**

[52] **U.S. Cl. .... D23/377; D23/379; D23/385;  
D26/80**

[58] **Field of Search .... D23/377, 379,  
D23/385, 411, 413; D26/80, 81-86, 88,  
72, 59, 51; 392/364; 362/96; 416/5**

[56] **References Cited**  
**PUBLICATIONS**

Homestead Ceiling Fans, Cat., p. 16, ceiling fan , top middle  
side of page.  
Beverly Hills Fan Co. Adv. Flyers, ©1993, Flyer 8, Ceiling  
Fan B, Flyer 9, Ceiling Fan C.

*Primary Examiner*—Lisa Lichtenstein  
*Attorney, Agent, or Firm*—Morton J. Rosenberg; David I.  
Klein

[57] **CLAIM**

The ornamental design for a combined ceiling fan and light  
kit, as shown.

**DESCRIPTION**

FIG. 1 is a front -bottom perspective view of a combined  
ceiling fan and light kit showing my new design;

FIG. 2 is a front elevational view thereof;

FIG. 3 is a rear elevational view thereof;

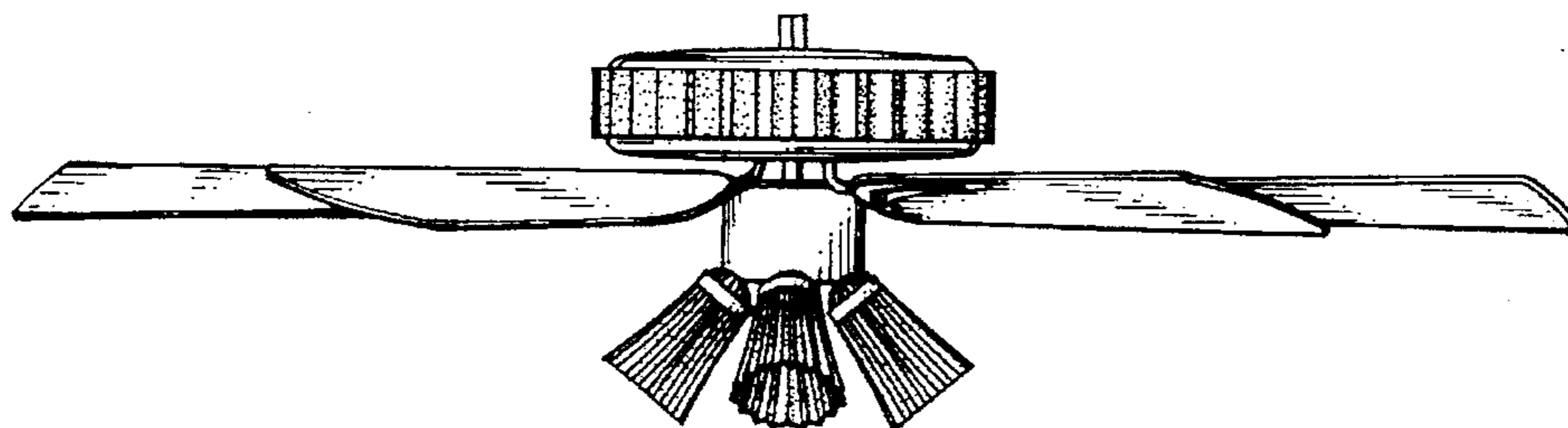
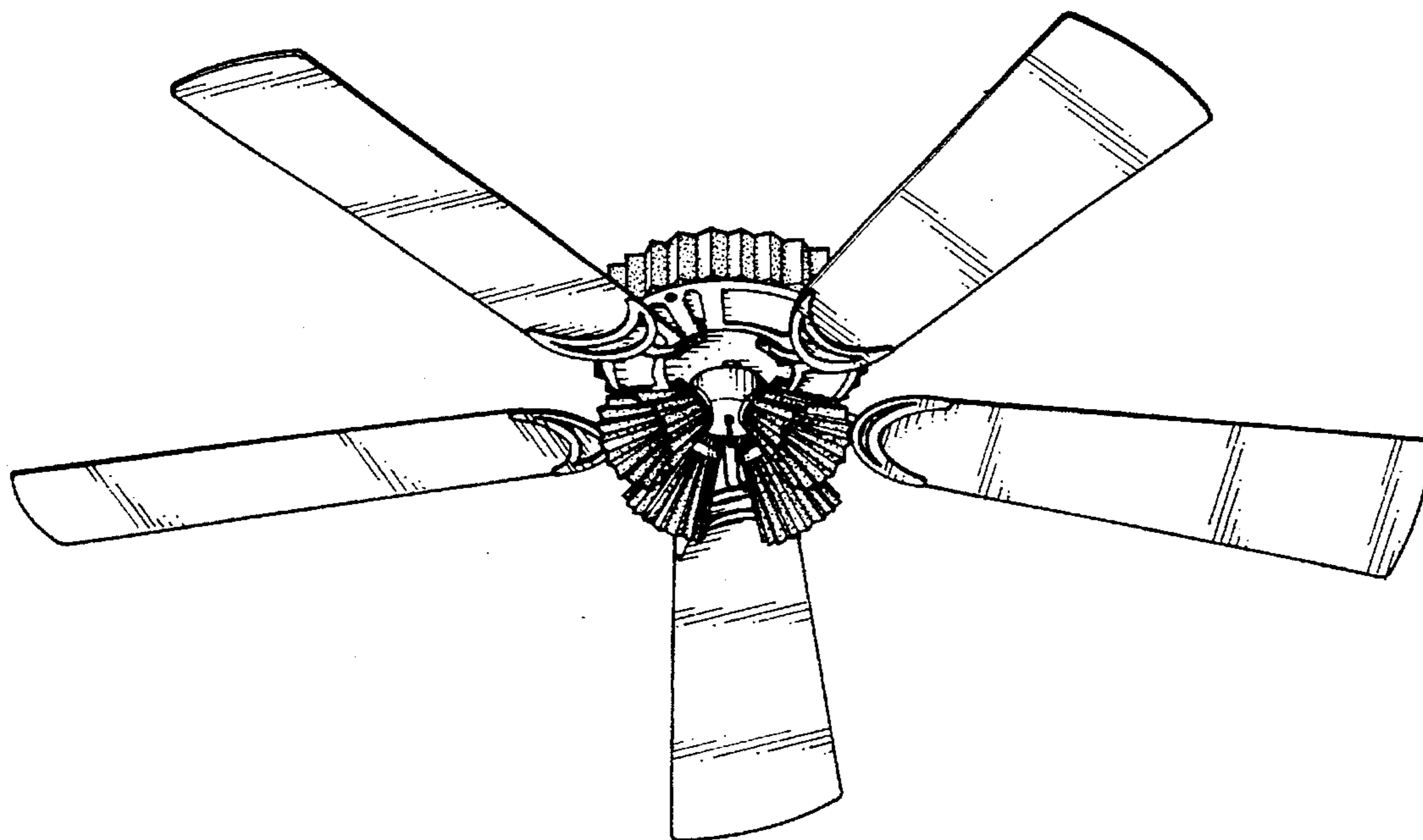
FIG. 4 is a left elevational view thereof; and,

FIG. 5 is a right elevational view thereof;

FIG. 6 is a top plan view thereof; and,

FIG. 7 is a bottom plan view thereof.

**1 Claim, 7 Drawing Sheets**



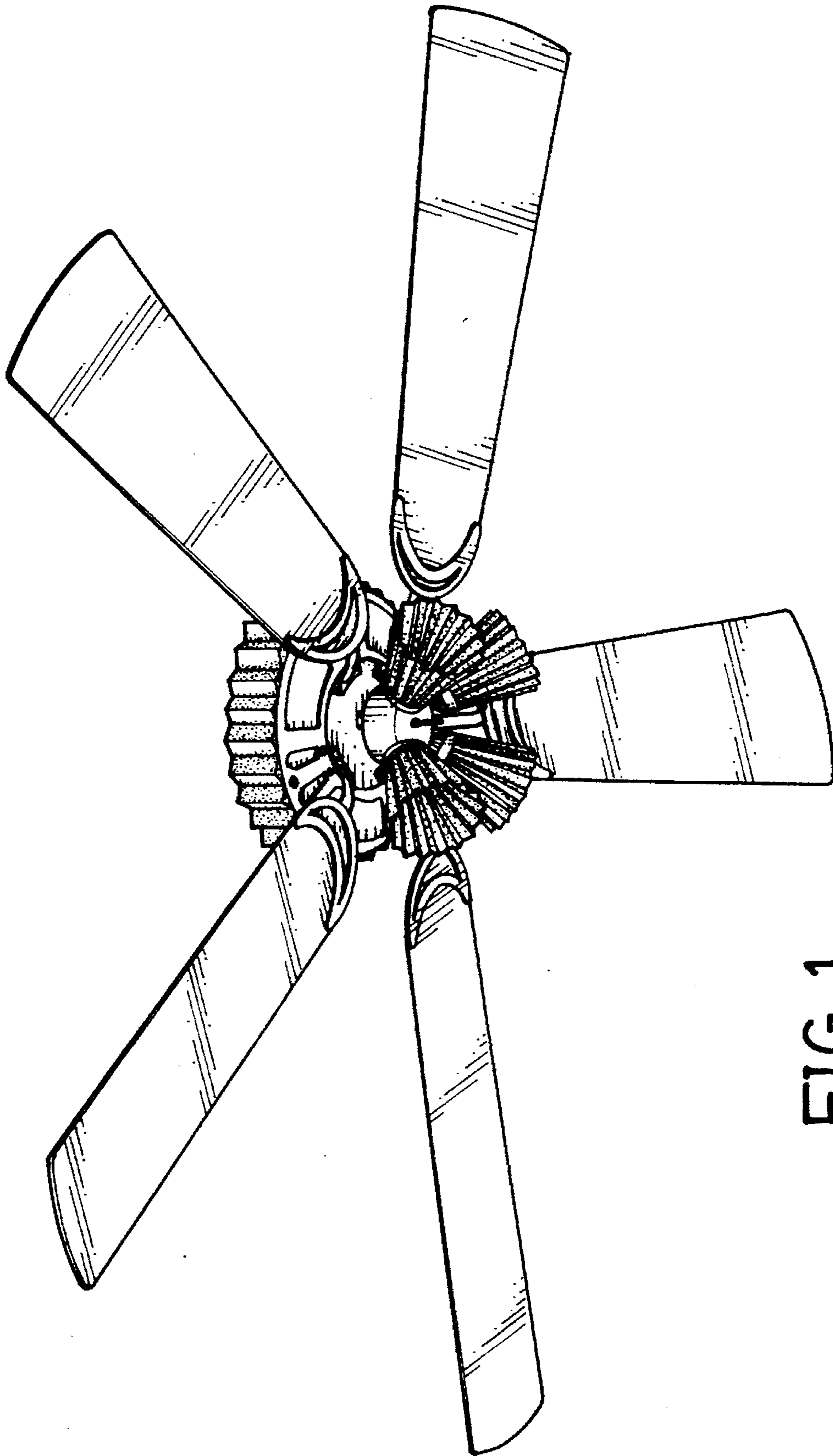


FIG. 1

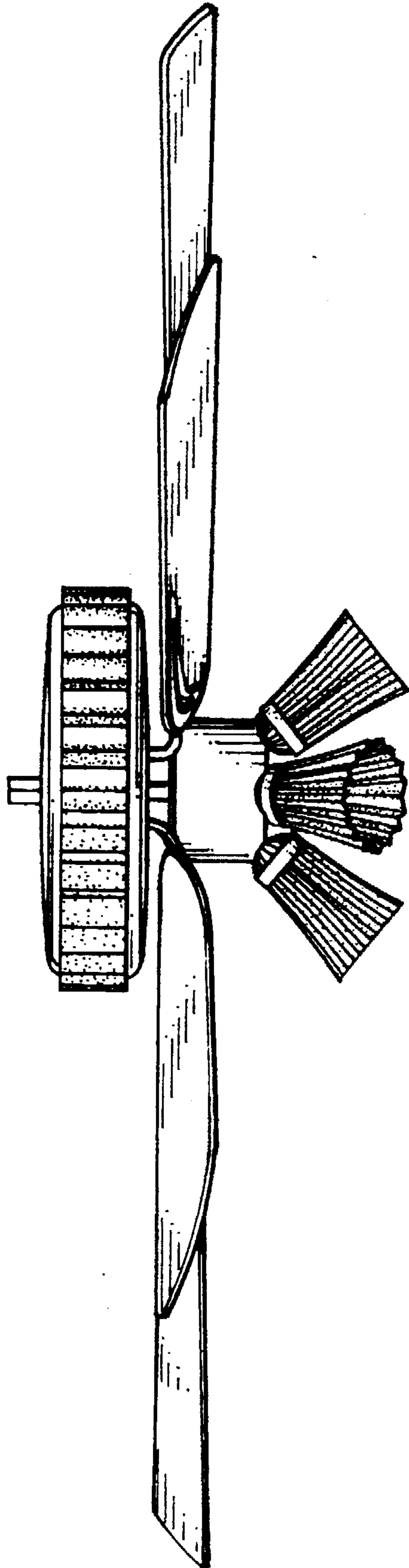


FIG. 2

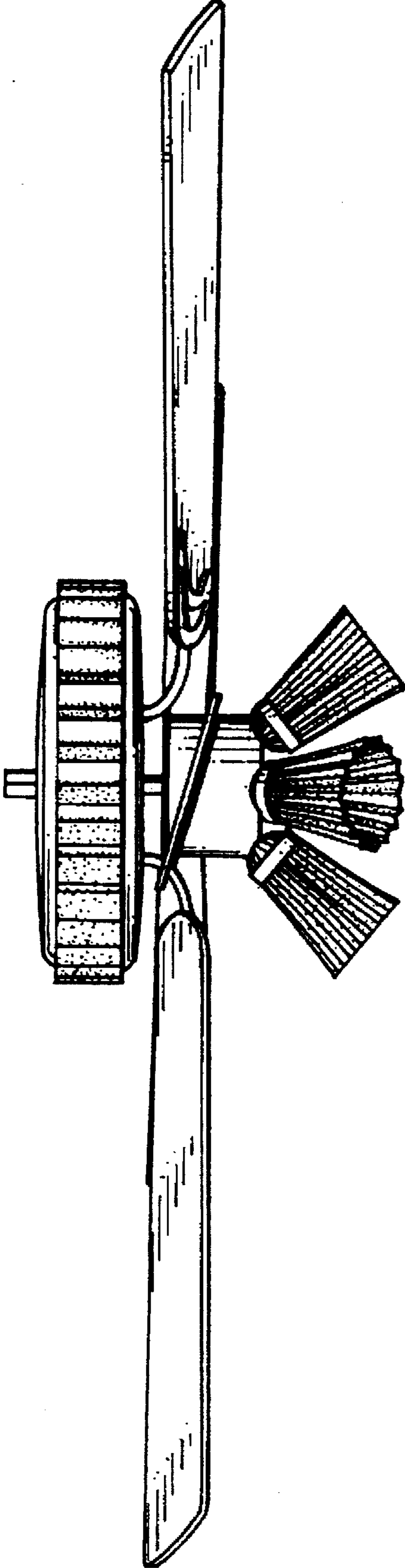


FIG. 3

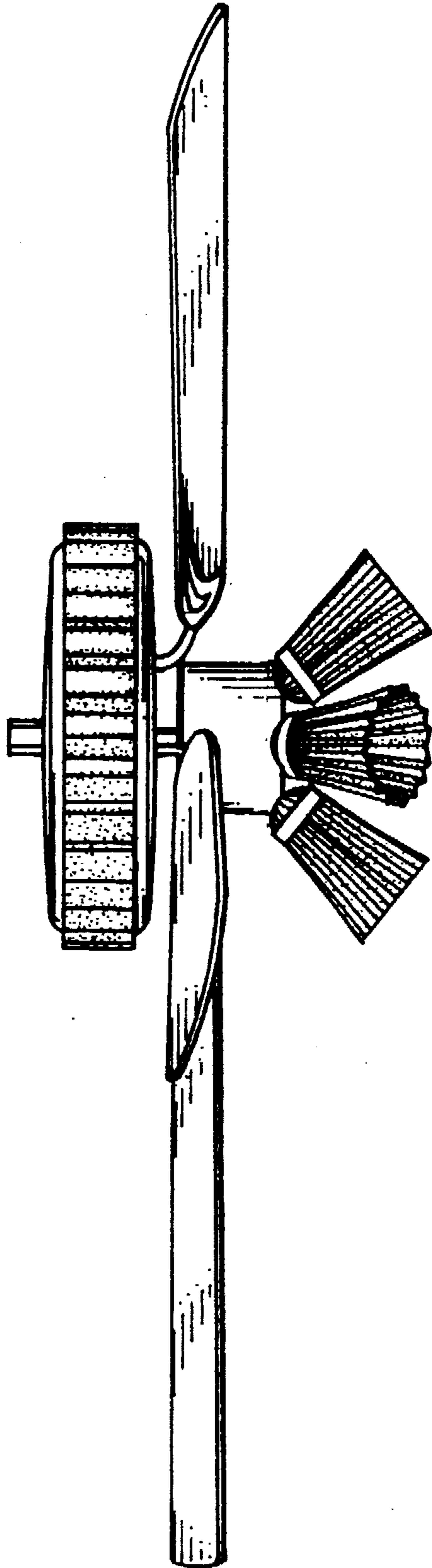


FIG. 4



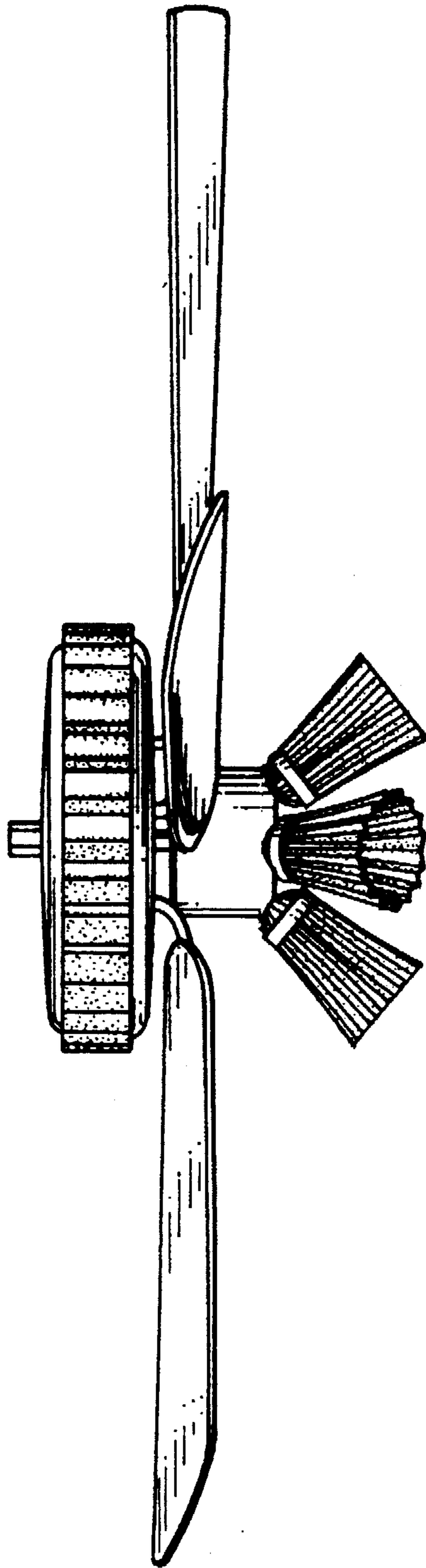


FIG. 5

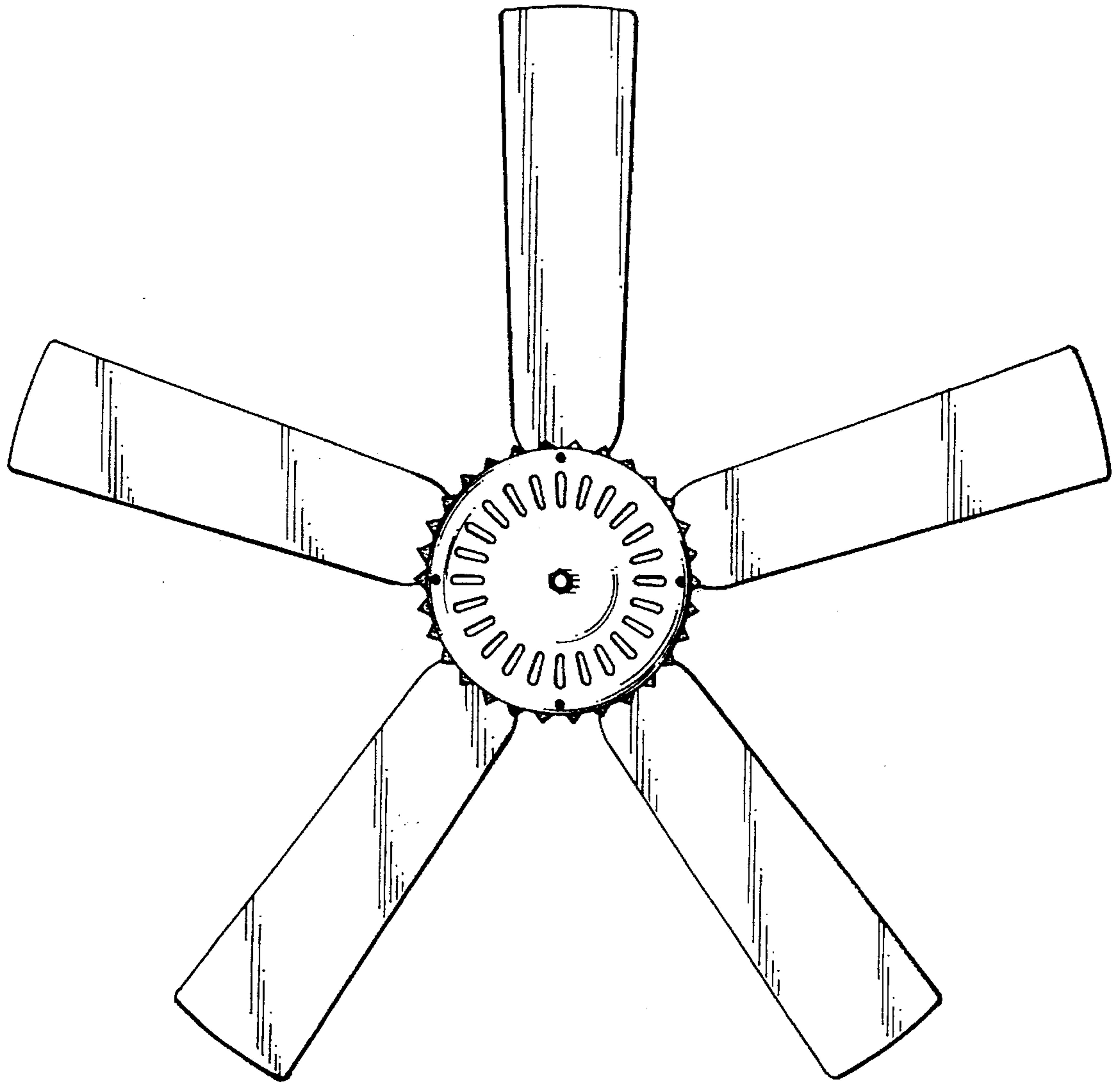


FIG. 6

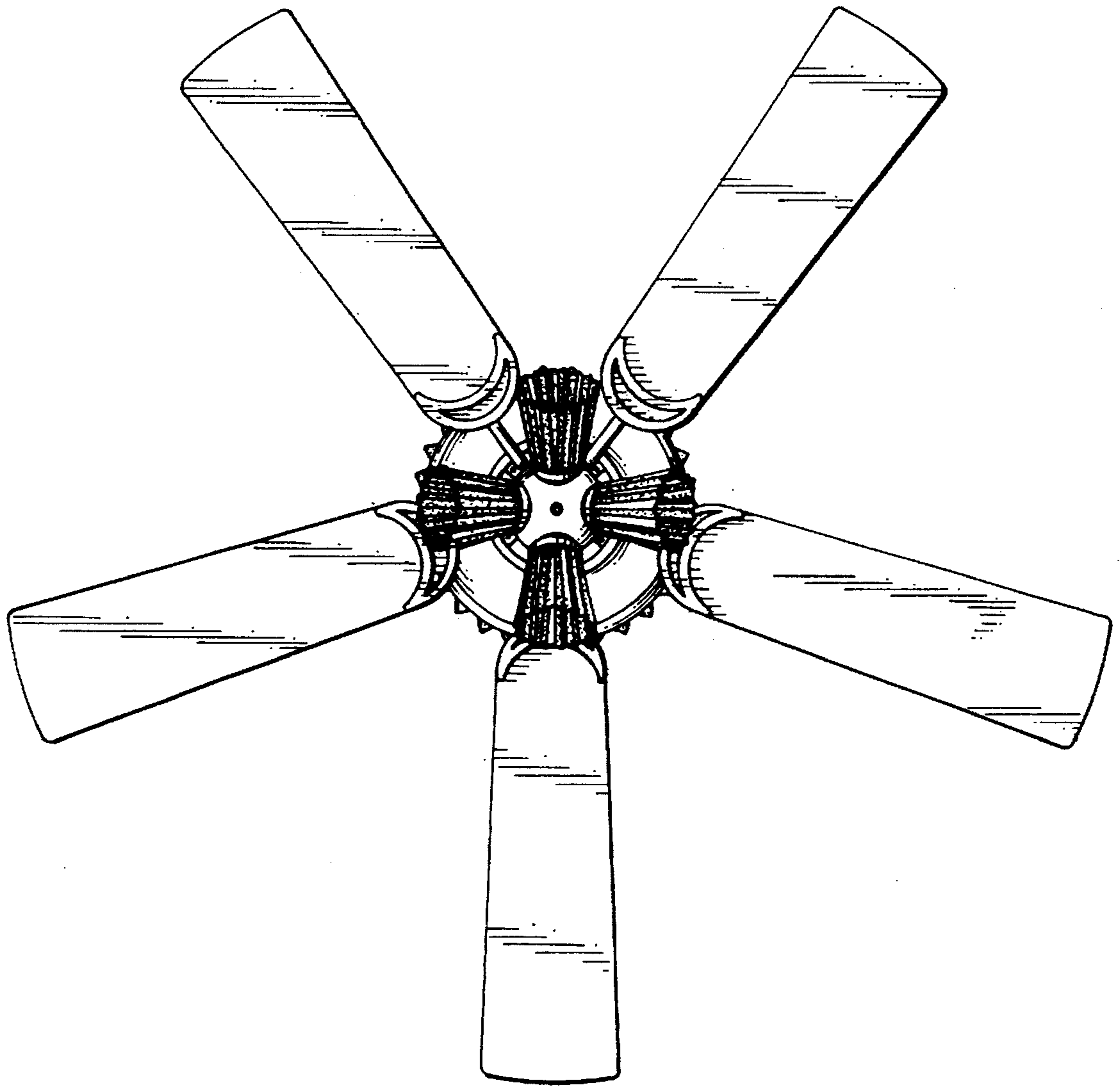


FIG. 7