



US00D382636S

United States Patent [19]

[11] Patent Number: **Des. 382,636**

Yang

[45] Date of Patent: ****Aug. 19, 1997**

[54] **CEILING FAN**

[75] Inventor: **Burni W. Yang**, Buena Park, Calif.

[73] Assignee: **Sonica Fan Innovations, Inc.**, Santa Fe Springs, Calif.

[**] Term: **14 Years**

[21] Appl. No.: **51,879**

[22] Filed: **Mar. 7, 1996**

[51] LOC (6) Cl. **23-04**

[52] U.S. Cl. **D23/377; D23/379; D23/385**

[58] Field of Search **D23/377, 379, D23/385, 411, 413; 416/5, 228; 392/364; 362/96; D26/81-86, 88, 72, 51, 59**

[56] References Cited

U.S. PATENT DOCUMENTS

| | | | | |
|------------|--------|-------------|-------|-----------|
| D. 284,304 | 6/1986 | Harber | | D23/155 |
| D. 337,156 | 7/1993 | Jaeger | | D23/377 |
| 4,592,702 | 6/1986 | Bogage | | 416/247 R |
| 4,671,739 | 6/1987 | Read et al. | | 416/230 |
| 5,330,323 | 7/1994 | Swanson | | 416/5 |

OTHER PUBLICATIONS

Advertisement page, Hunter Fan Company "Integra Plus" fan design.

Advertisement page, Hunter Fan Company "Orion" fan design.

Advertisement page, Casablanca Fan Company "Stealth" fan design.

Advertisement page, Casablanca Fan Company "Atlantis" fan design.

Advertisement page, Casablanca Fan Company "Star/Starlet" Series fan design.

Advertisement page, Concord Fan & Lighting Co. "The Endeavor" fan design.

Advertisement page, Oneida Innovations Inc. "Sonic I" and Sonic II fan designs.

Casablanca Adv. Cat., p. 14, Lumina Ceiling Fans.

Primary Examiner—Lisa P. Lichtenstein

Attorney, Agent, or Firm—Jeffrey G. Sheldon; Sheldon & Mak, Inc.

[57] CLAIM

The ornamental design for a ceiling fan, as shown and described.

DESCRIPTION

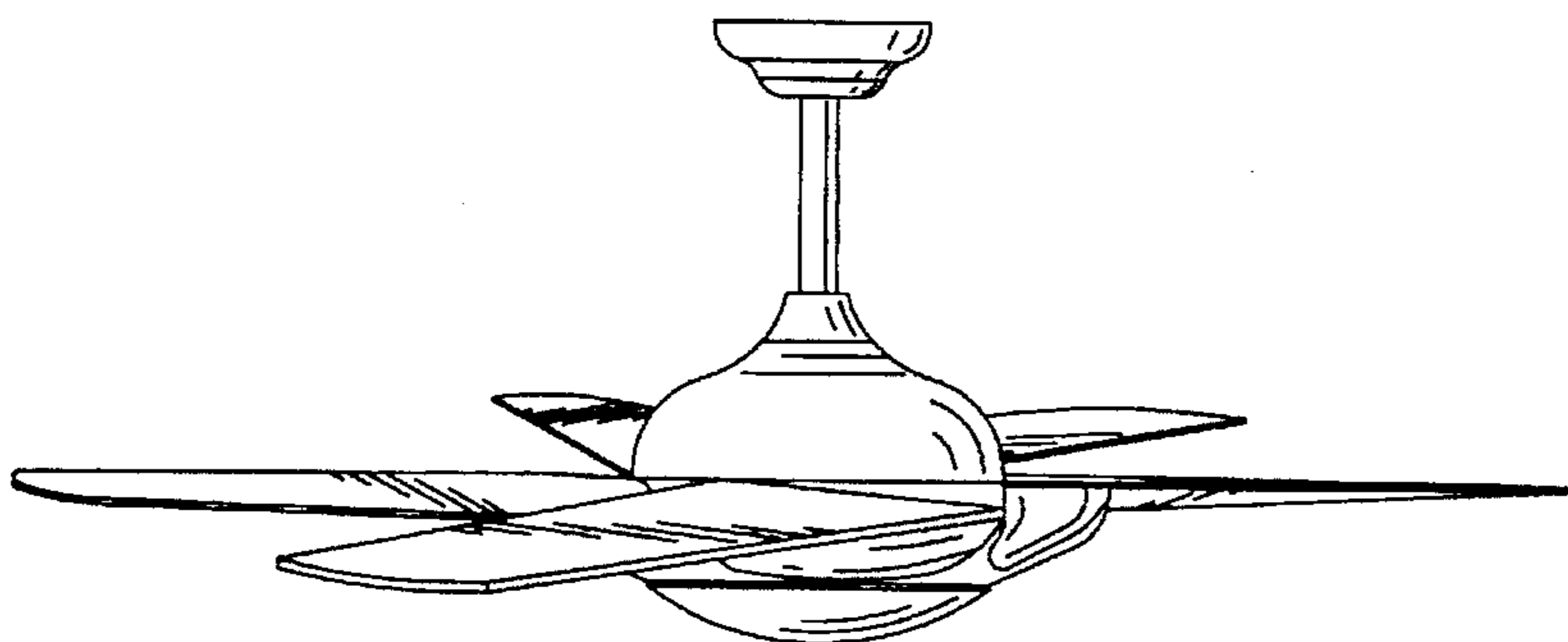
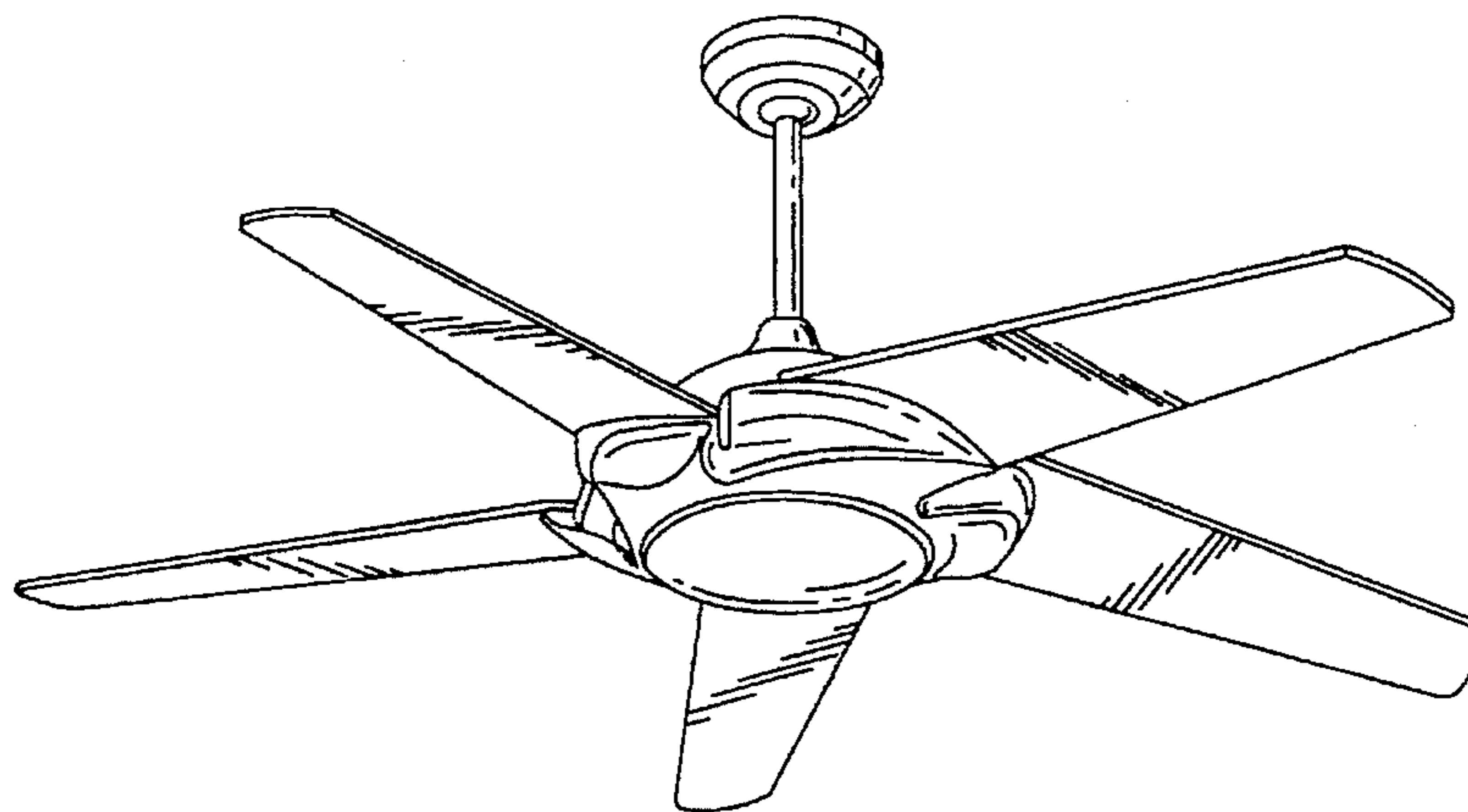
FIG. 1 is a perspective view of a ceiling fan according to the present invention;

FIG. 2 is a bottom plan view of the ceiling fan of FIG. 1;

FIG. 3 is a side elevation view of the ceiling fan of FIG. 1 the other sides being identical to that shown; and,

FIG. 4 is a top plan view of the ceiling fan of FIG. 1.

1 Claim, 2 Drawing Sheets



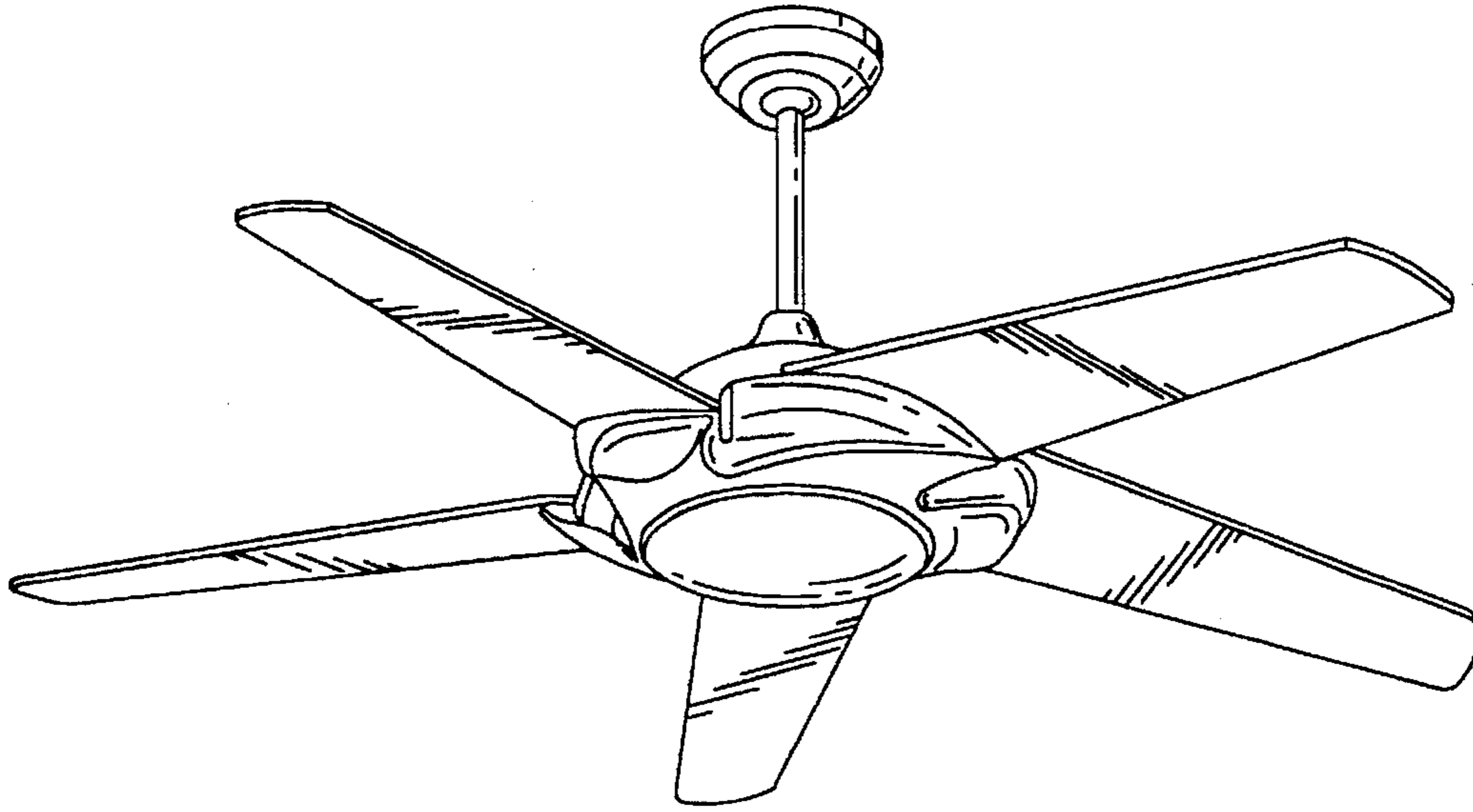


FIG. 1

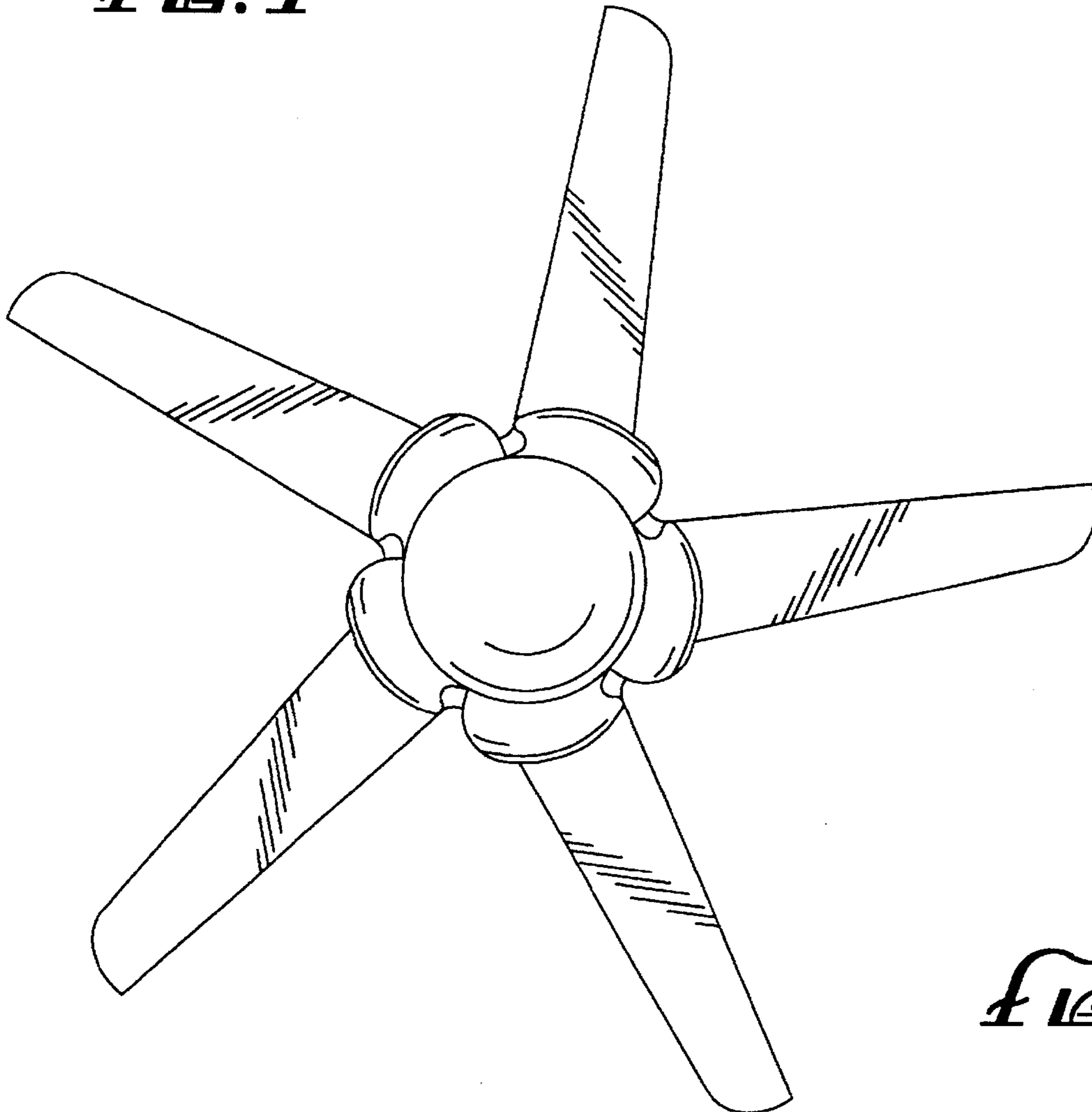


FIG. 2

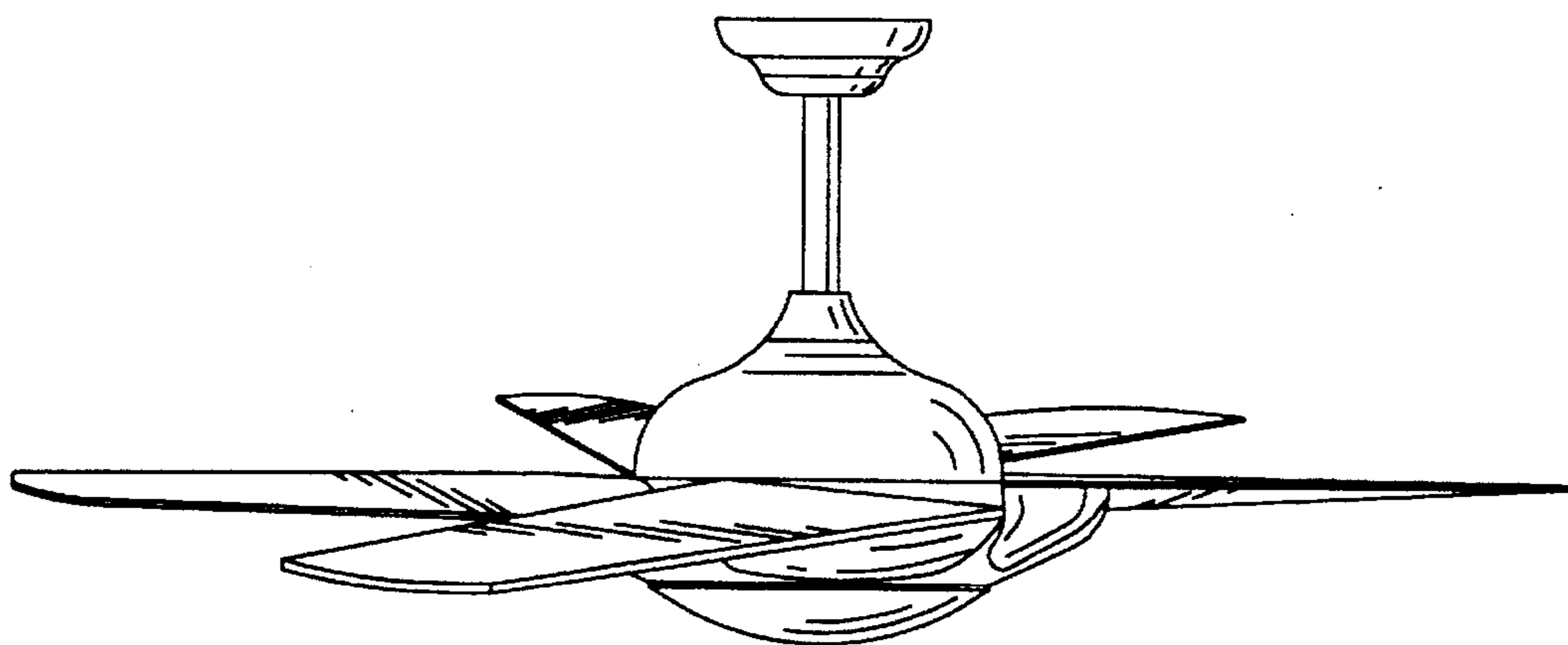


FIG. 3

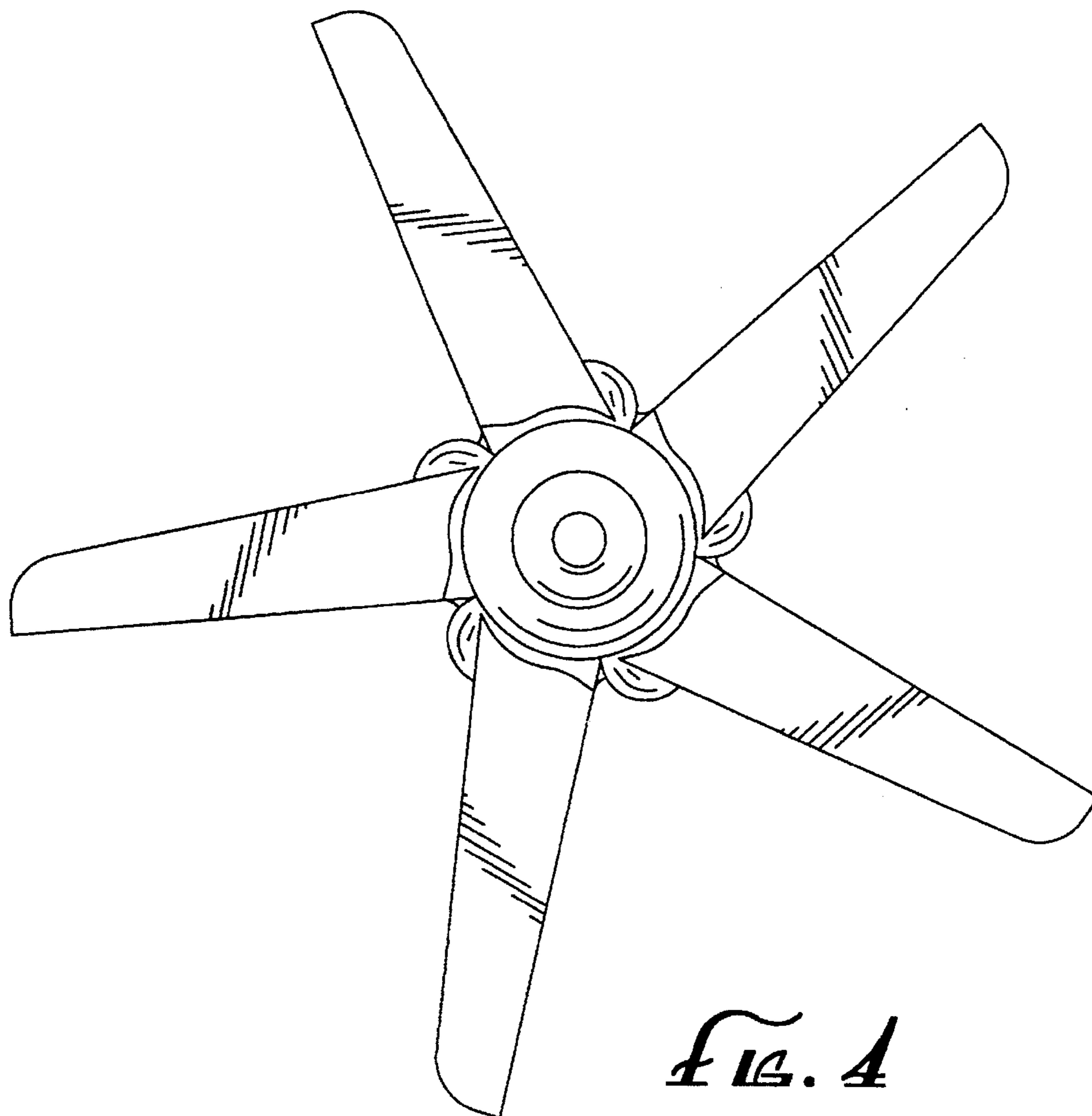


FIG. 4