



US00D382634S

# United States Patent [19]

[11] Patent Number: **Des. 382,634**

Jané et al.

[45] Date of Patent: **\*\*Aug. 19, 1997**

[54] **PORTABLE ELECTRIC HEATER**

D. 347,683 6/1994 Chiu et al. .... D23/336  
D. 354,803 1/1995 Huang ..... D23/335

[75] Inventors: **Rodney B. Jané**, Westboro, Mass.;  
**Jui-Shang Wang**, Taipei, Taiwan; **John Staton**, Briston, Conn.

*Primary Examiner*—Lisa Lichtenstein  
*Attorney, Agent, or Firm*—John E. Toupal

[73] Assignee: **Duracraft Corp.**, Southborough, Mass.

[57] **CLAIM**

[\*\*] Term: **14 Years**

The ornamental design for a portable electric heater, as shown.

[21] Appl. No.: **42,951**

**DESCRIPTION**

[22] Filed: **Aug. 21, 1995**

[51] LOC (6) Cl. .... **23-03**

[52] U.S. Cl. .... **D23/335; D23/332**

[58] **Field of Search** ..... D23/332, 335-337,  
D23/370, 371, 381, 328; D14/210, 188,  
194, 204, 214; 392/365-369, 373, 374

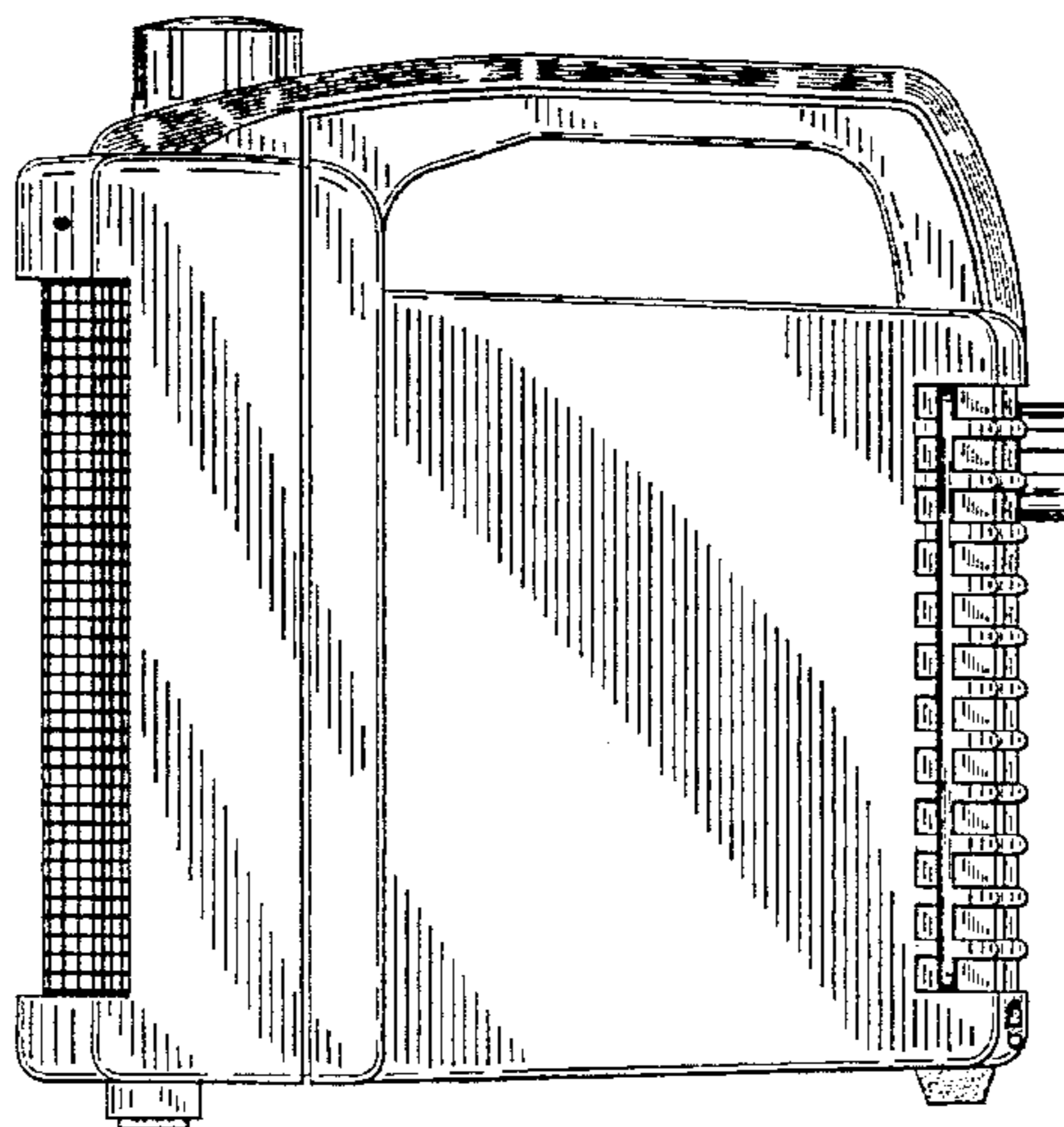
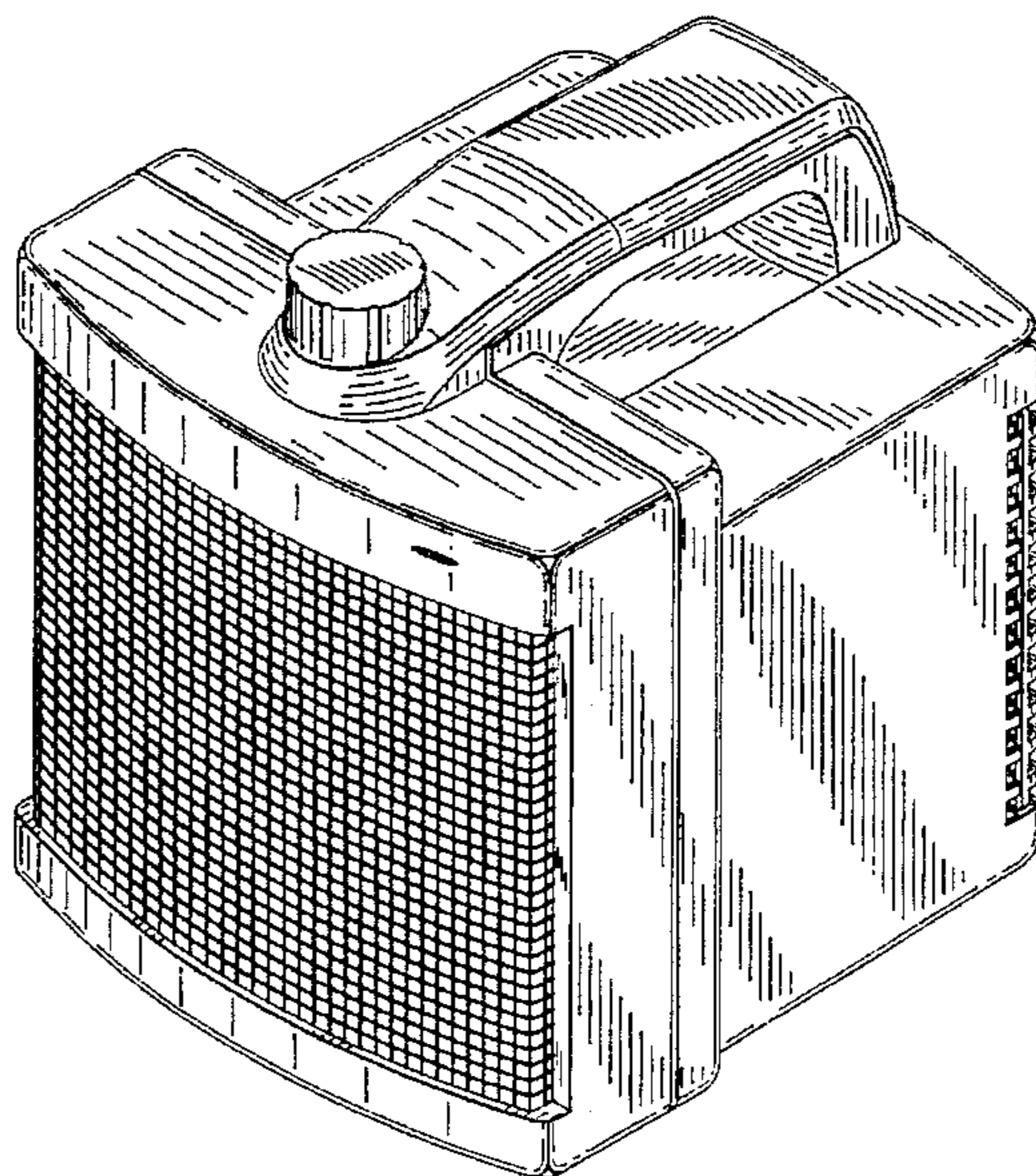
FIG. 1 is a front perspective view of a portable electric heater;  
FIG. 2 is a front elevational view thereof;  
FIG. 3 is a rear elevational view thereof;  
FIG. 4 is a right side elevational view thereof;  
FIG. 5 is a left side elevational view thereof;  
FIG. 6 is a top plan view thereof; and,  
FIG. 7 is a bottom plan view thereof.

[56] **References Cited**

**U.S. PATENT DOCUMENTS**

D. 323,382 1/1992 Wang ..... D23/335

**1 Claim, 7 Drawing Sheets**



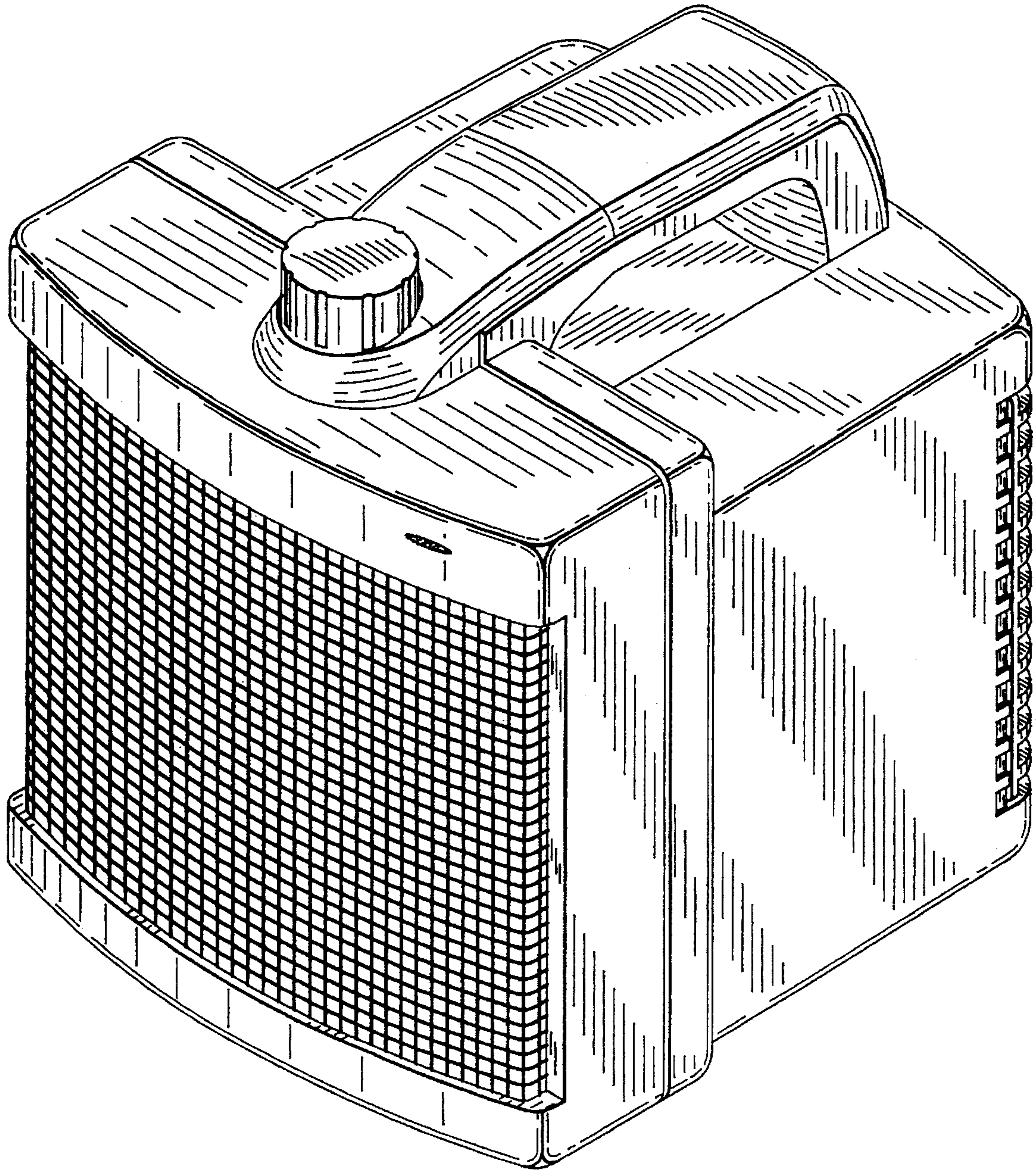


FIG. 1

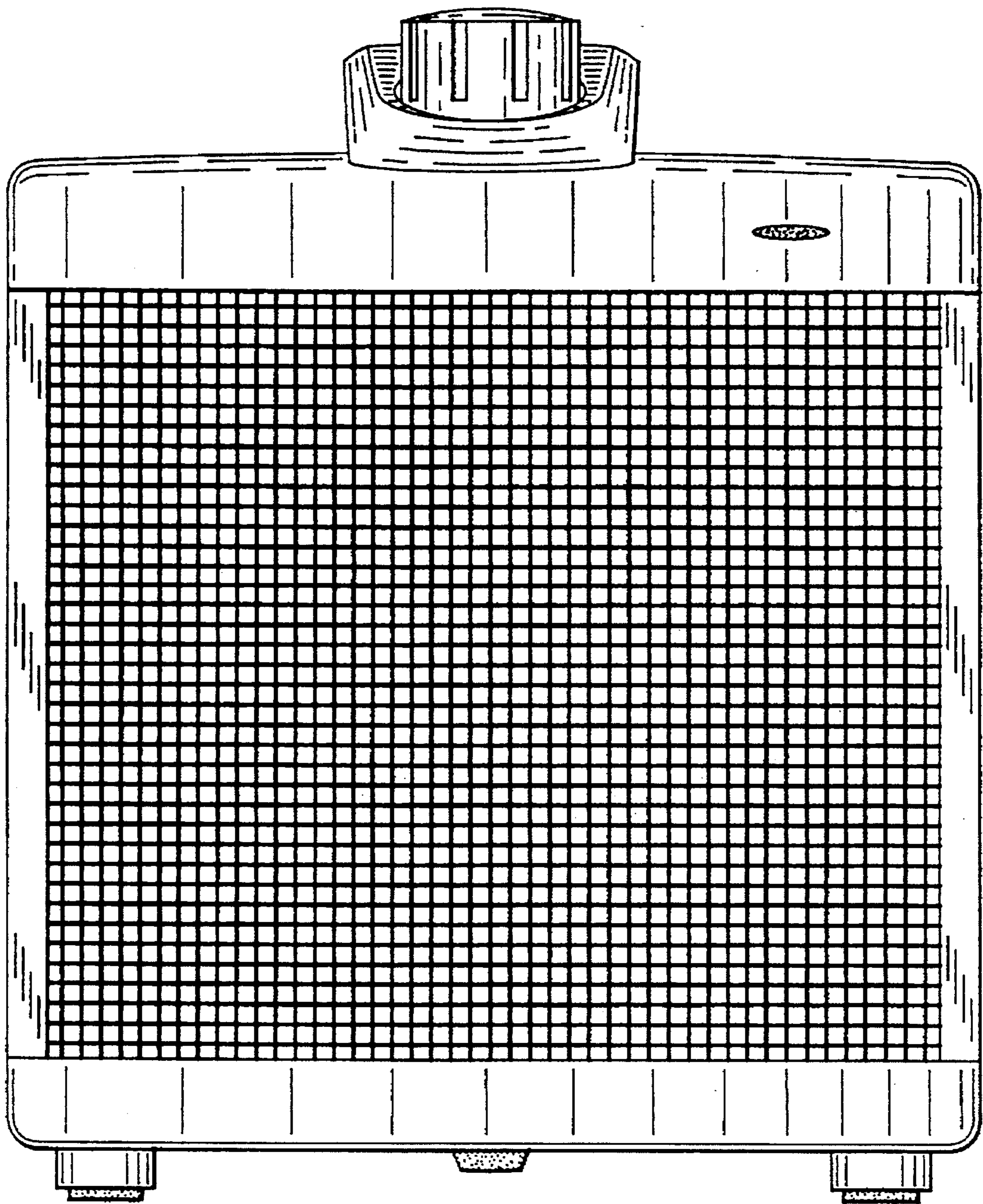
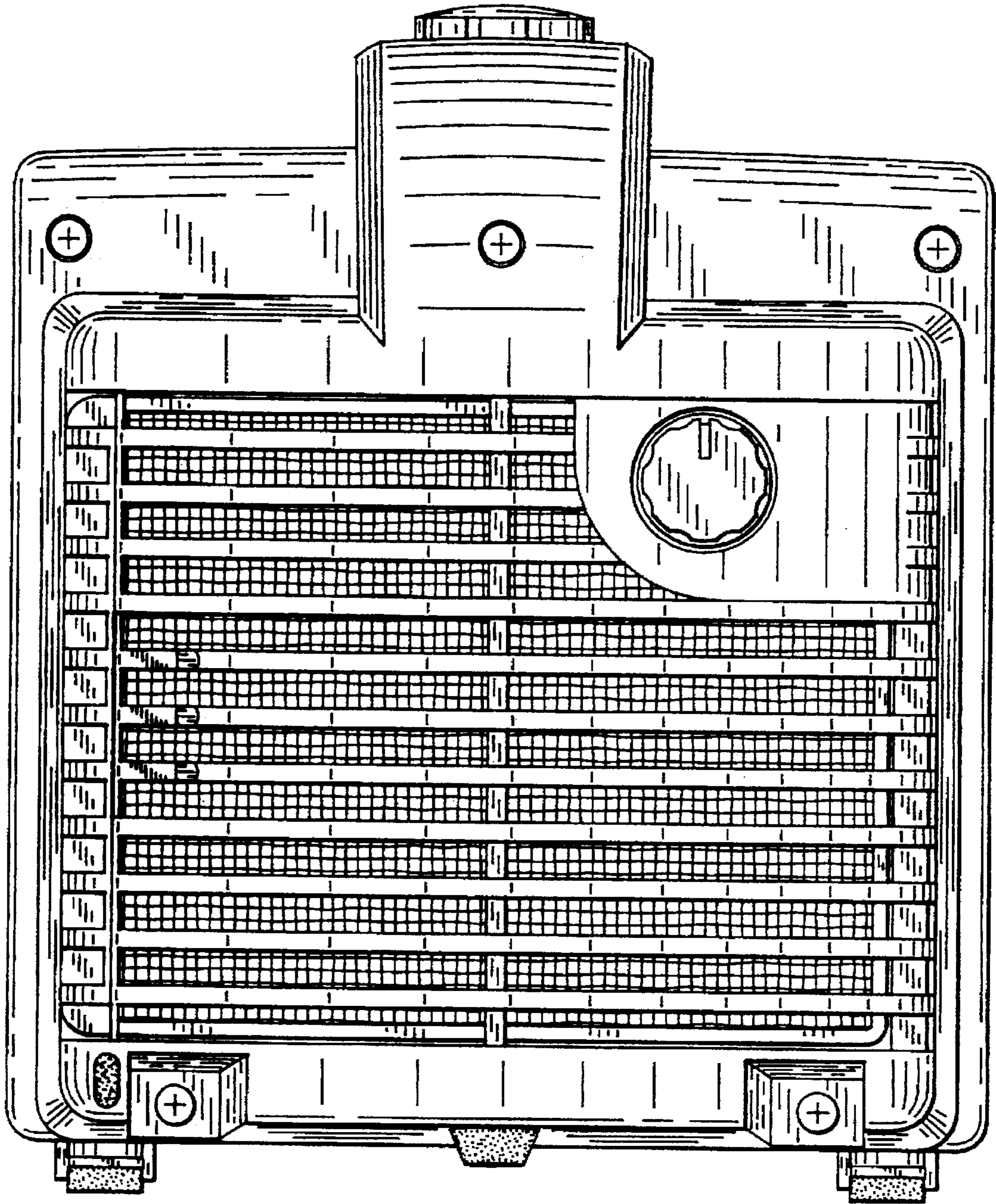


FIG. 2



**FIG. 3**

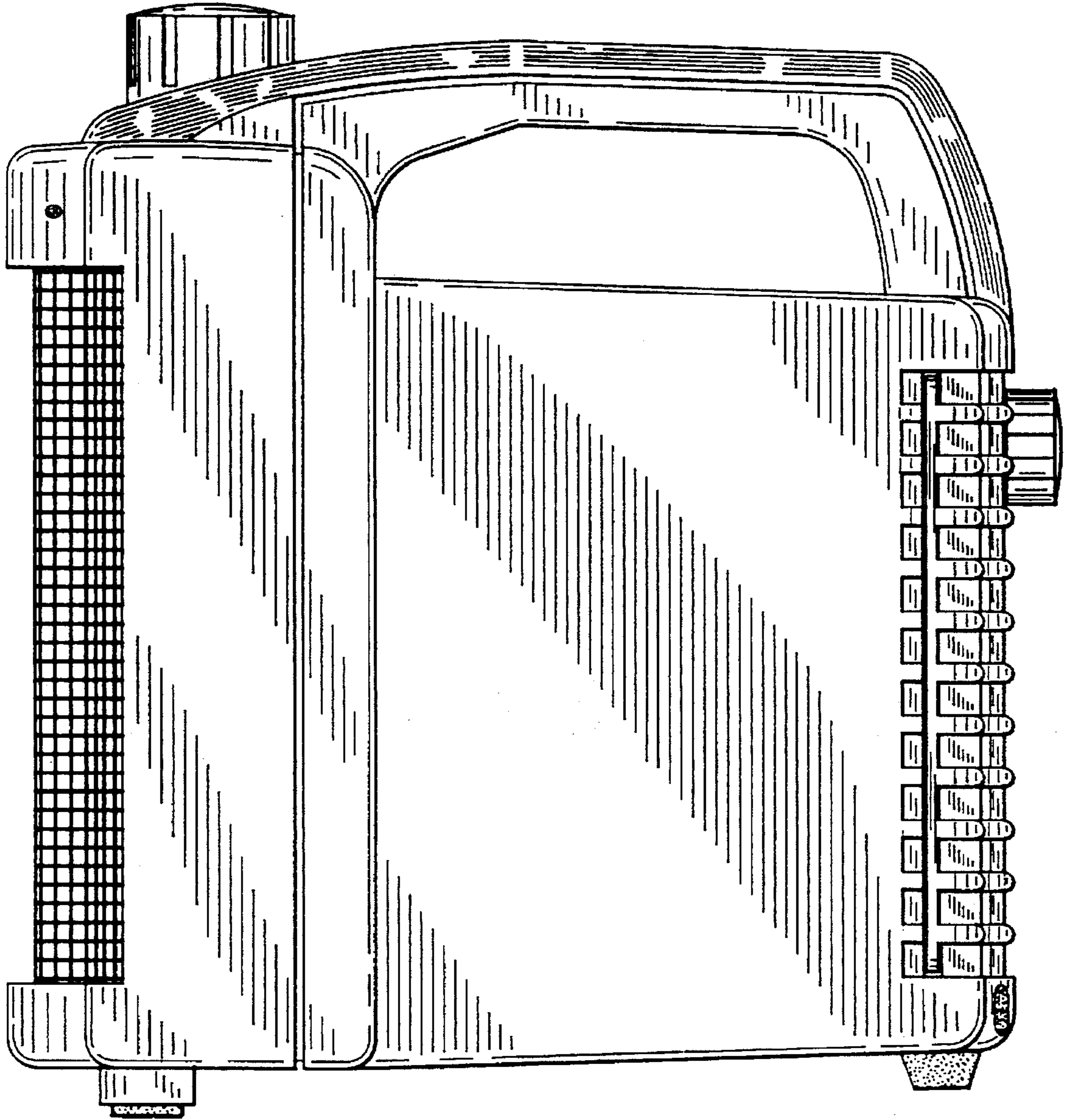


FIG. 4

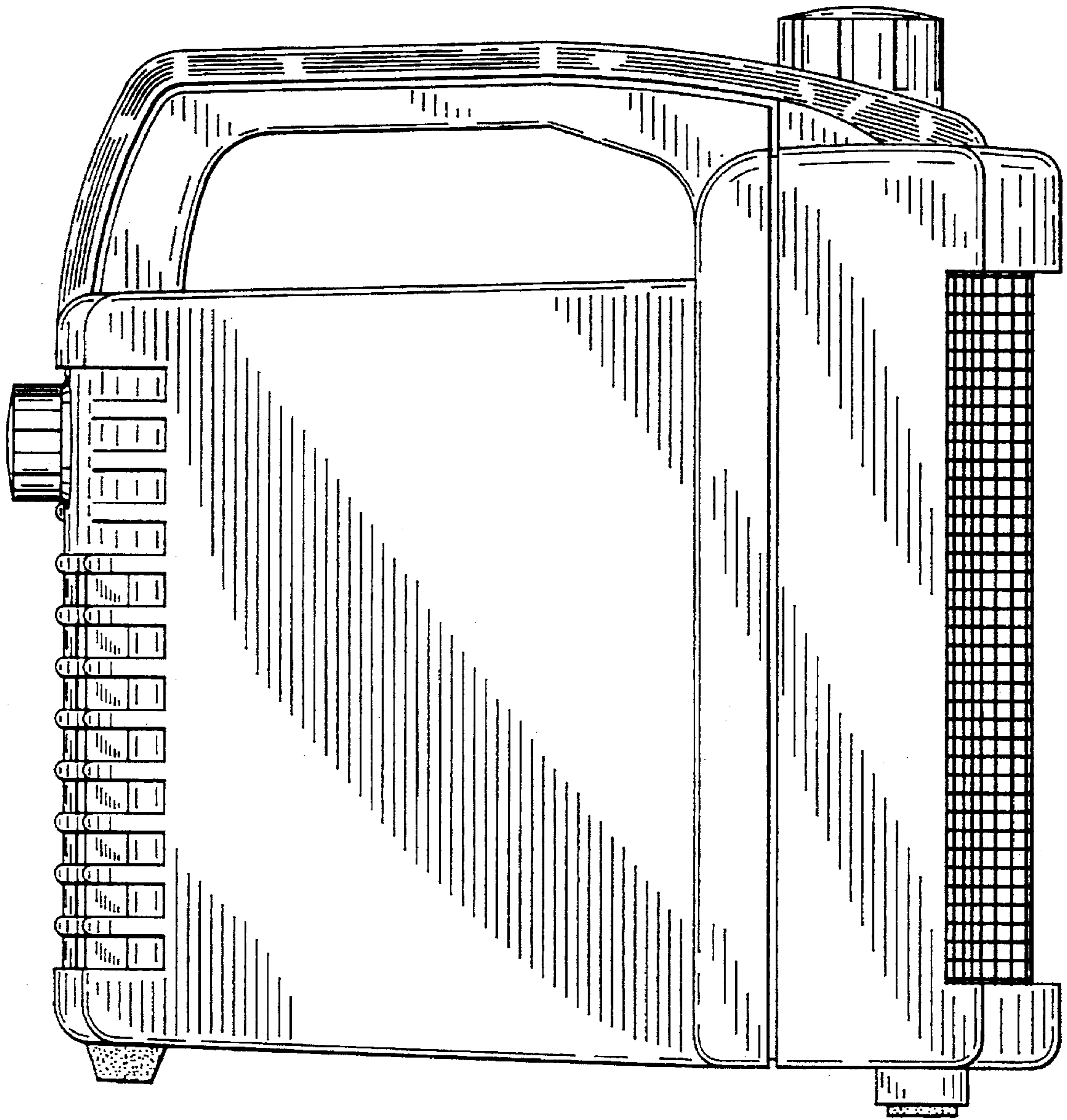


FIG. 5

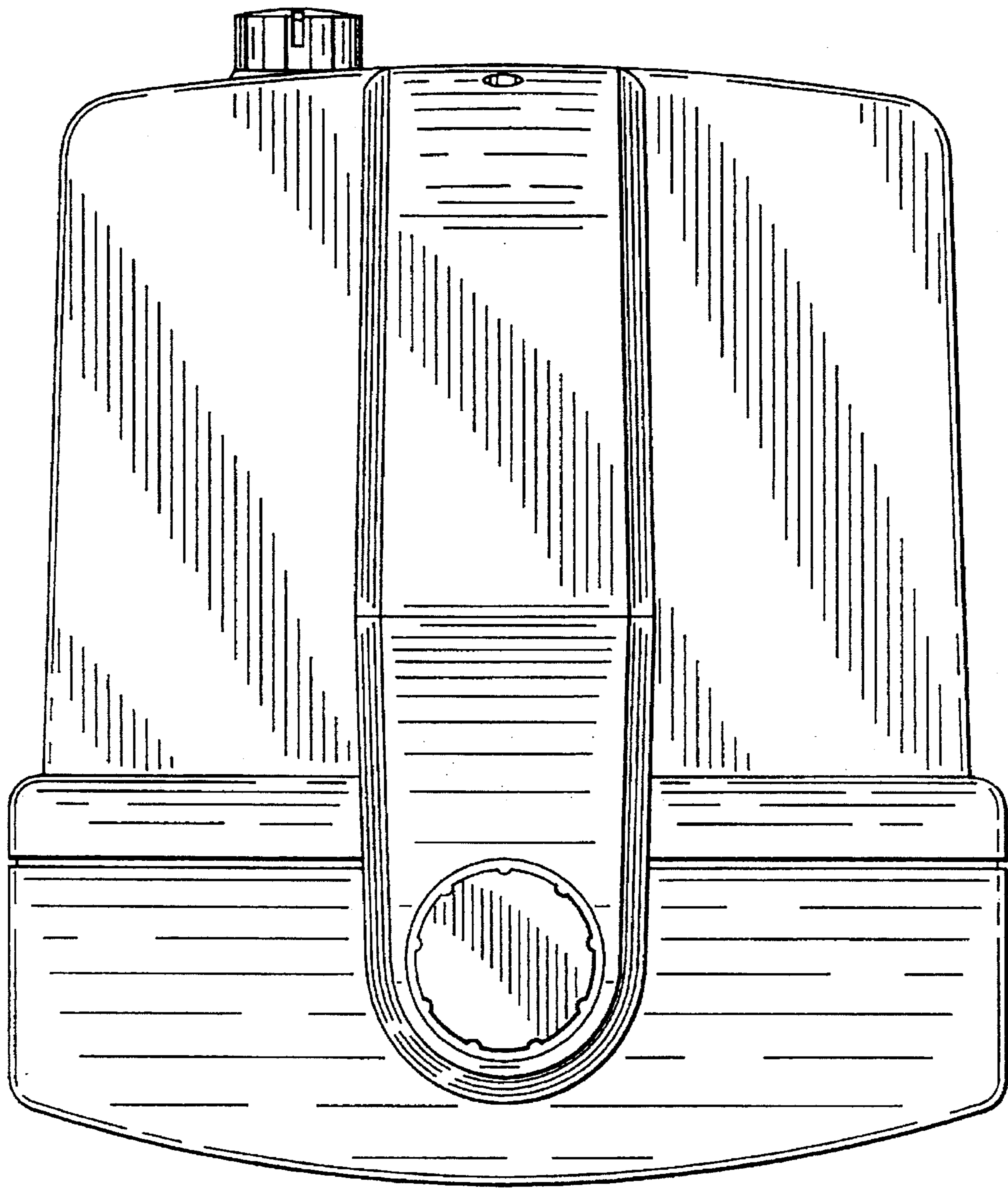


FIG. 6

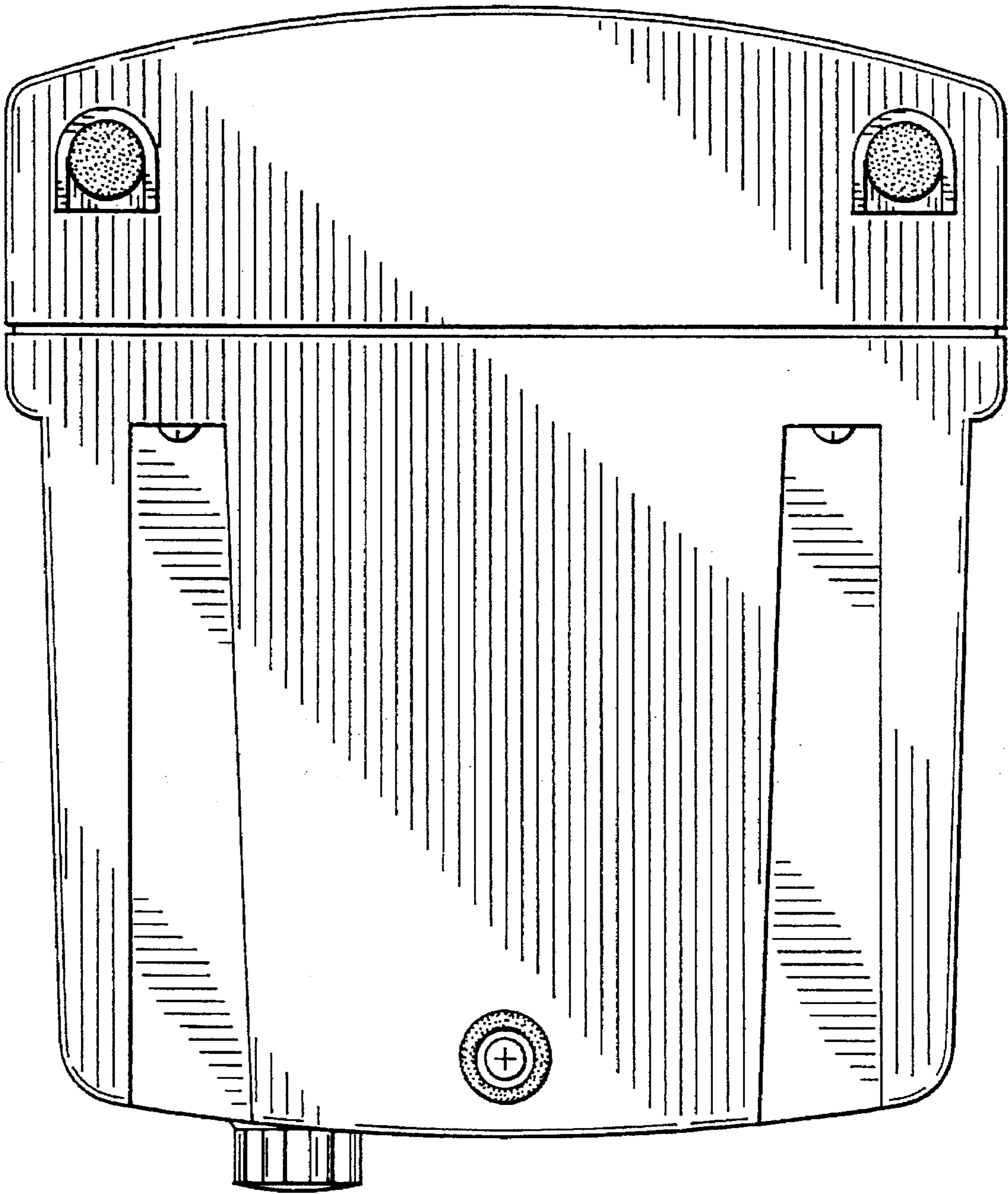


FIG. 7