



US00D382633S

United States Patent [19]
Clemmer

[11] **Patent Number: Des. 382,633**

[45] **Date of Patent: **Aug. 19, 1997**

[54] **RIG BROODER**

4,719,874 1/1988 Maurice 126/92 B

[75] **Inventor: Kevin Clemmer, Mt. Sidney, Va.**

OTHER PUBLICATIONS

[73] **Assignee: Shenandoah Manufacturing Co., Inc.,
Harrisonburg, Va.**

Space Ray Corp. Adv. Brochure pp. 1 and 2, Infrared Heater
bottom of page.

[**] **Term: 14 Years**

Primary Examiner—Lisa Lichtenstein
Attorney, Agent, or Firm—Nixon & Vanderhye

[21] **Appl. No.: 44,968**

[57] **CLAIM**

[22] **Filed: Oct. 4, 1995**

The ornamental design for a rig brooder, as shown.

[51] **LOC (6) Cl. 23-03**

DESCRIPTION

[52] **U.S. Cl. D23/334; D23/314**

FIG. 1 is a perspective view of a rig brooder showing my
new design;

[58] **Field of Search** D23/334, 314;
D30/119; 119/305-307, 310; 126/92 B,
92 AC, 91 R

FIG. 2 is a side elevational view of the rig brooder of FIG.
1;

FIG. 3 is a top plan view of the rig brooder of FIG. 1;

FIG. 4 is a side elevation view of the rig brooder of FIG.
1;and,

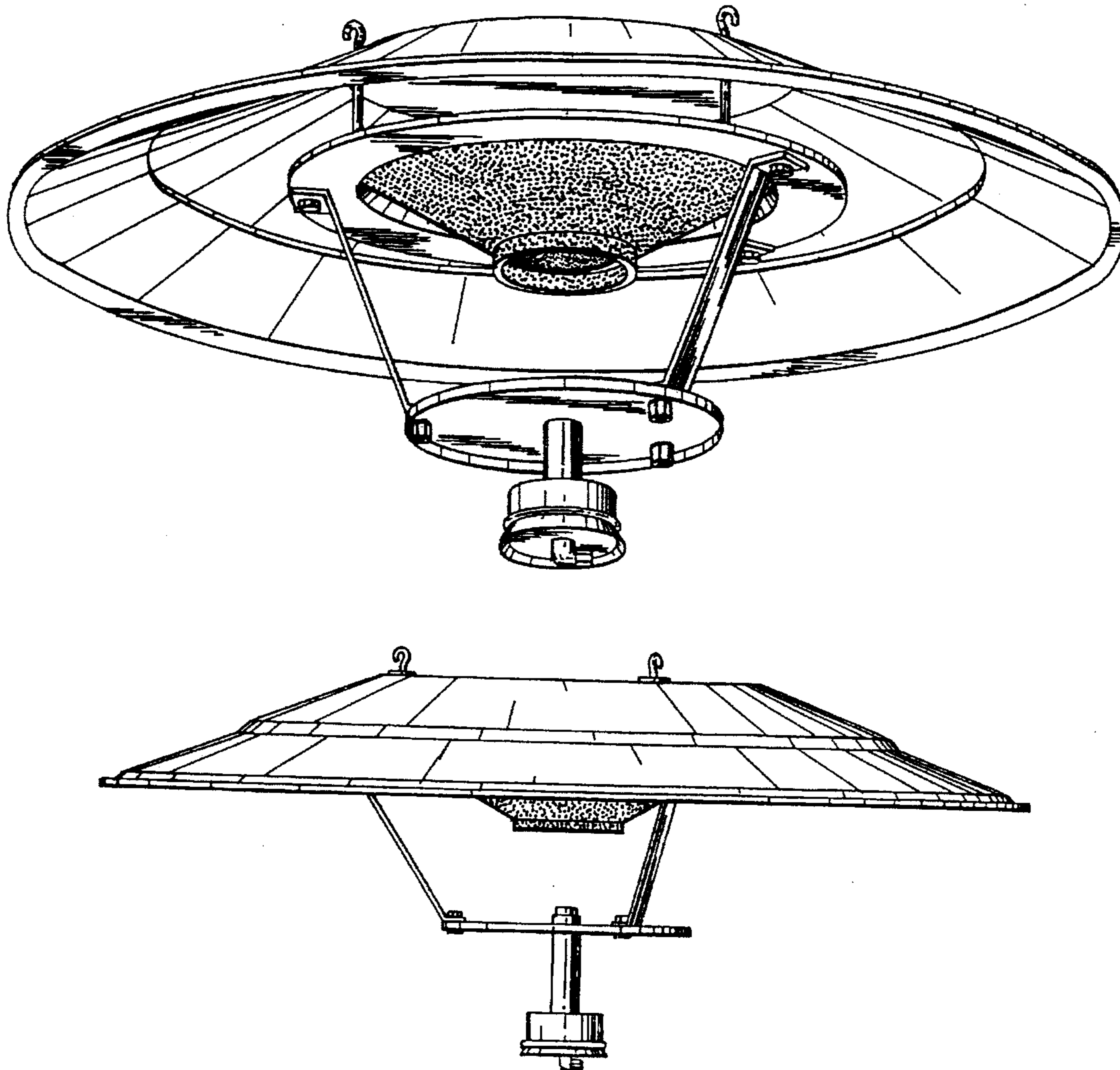
FIG. 5 is a bottom plan view of the rig brooder of FIG. 1.

[56] **References Cited**

U.S. PATENT DOCUMENTS

- D. 272,383 1/1984 Johnson D23/385
- 3,765,610 10/1973 Schell 119/305
- 3,976,243 8/1976 Christophel 119/310

1 Claim, 3 Drawing Sheets



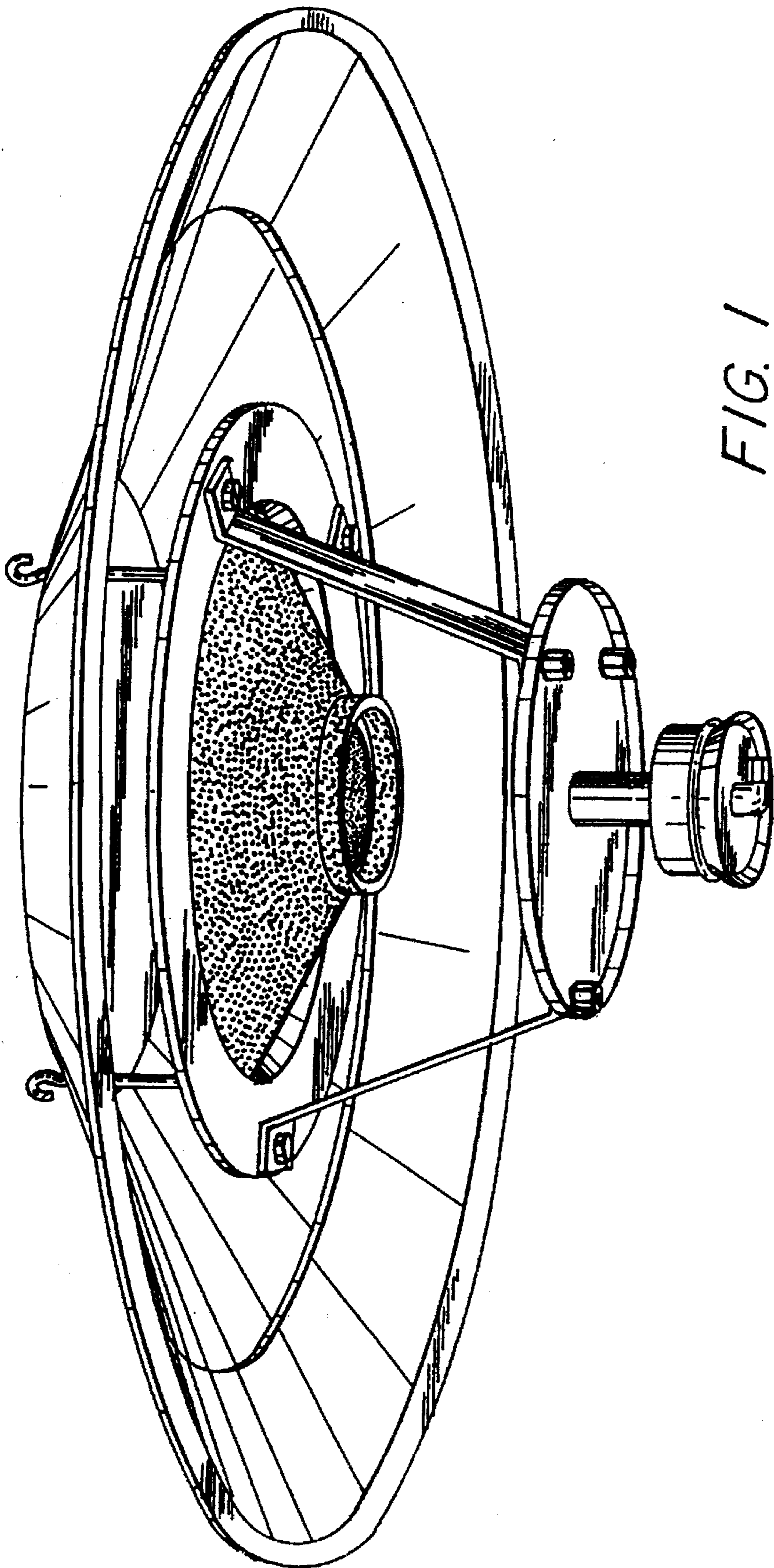


FIG. 1

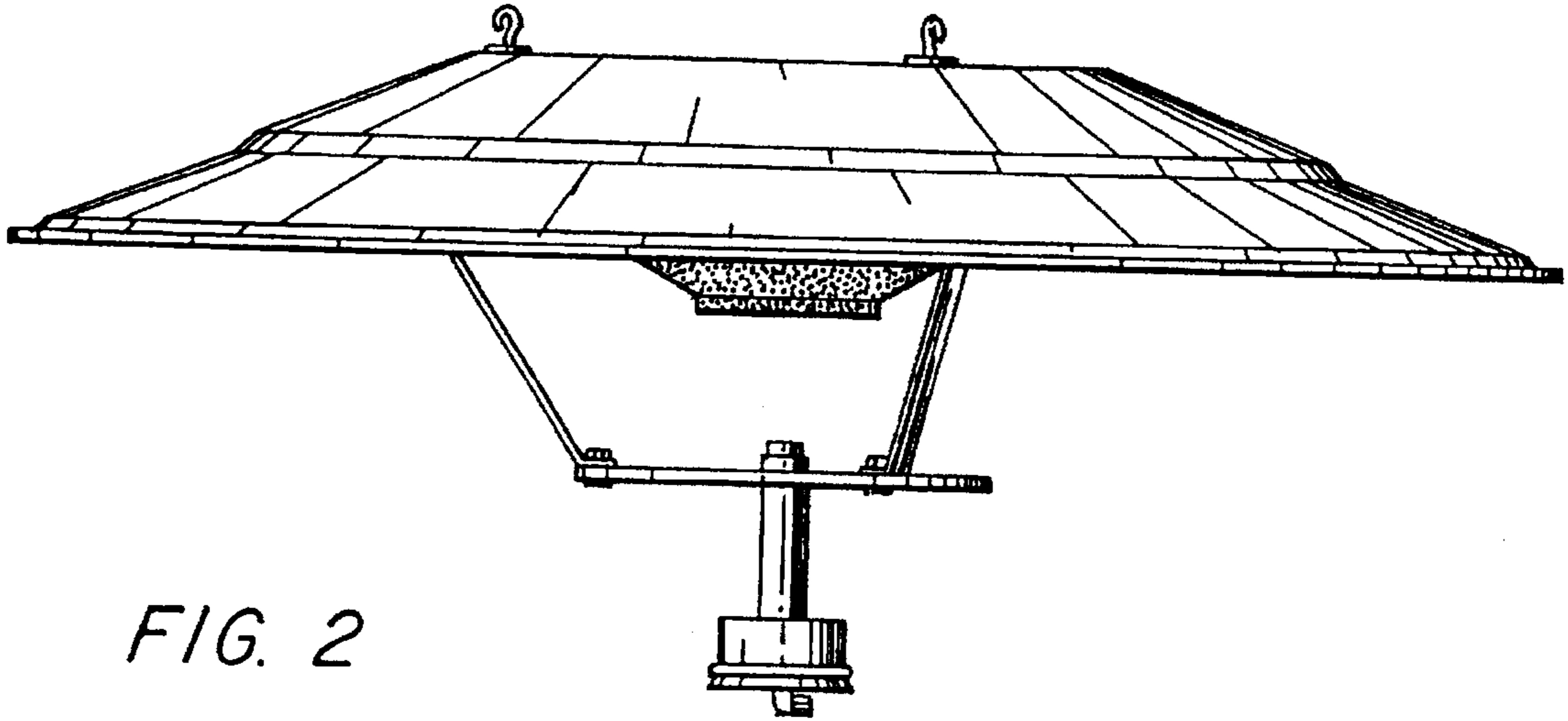


FIG. 2

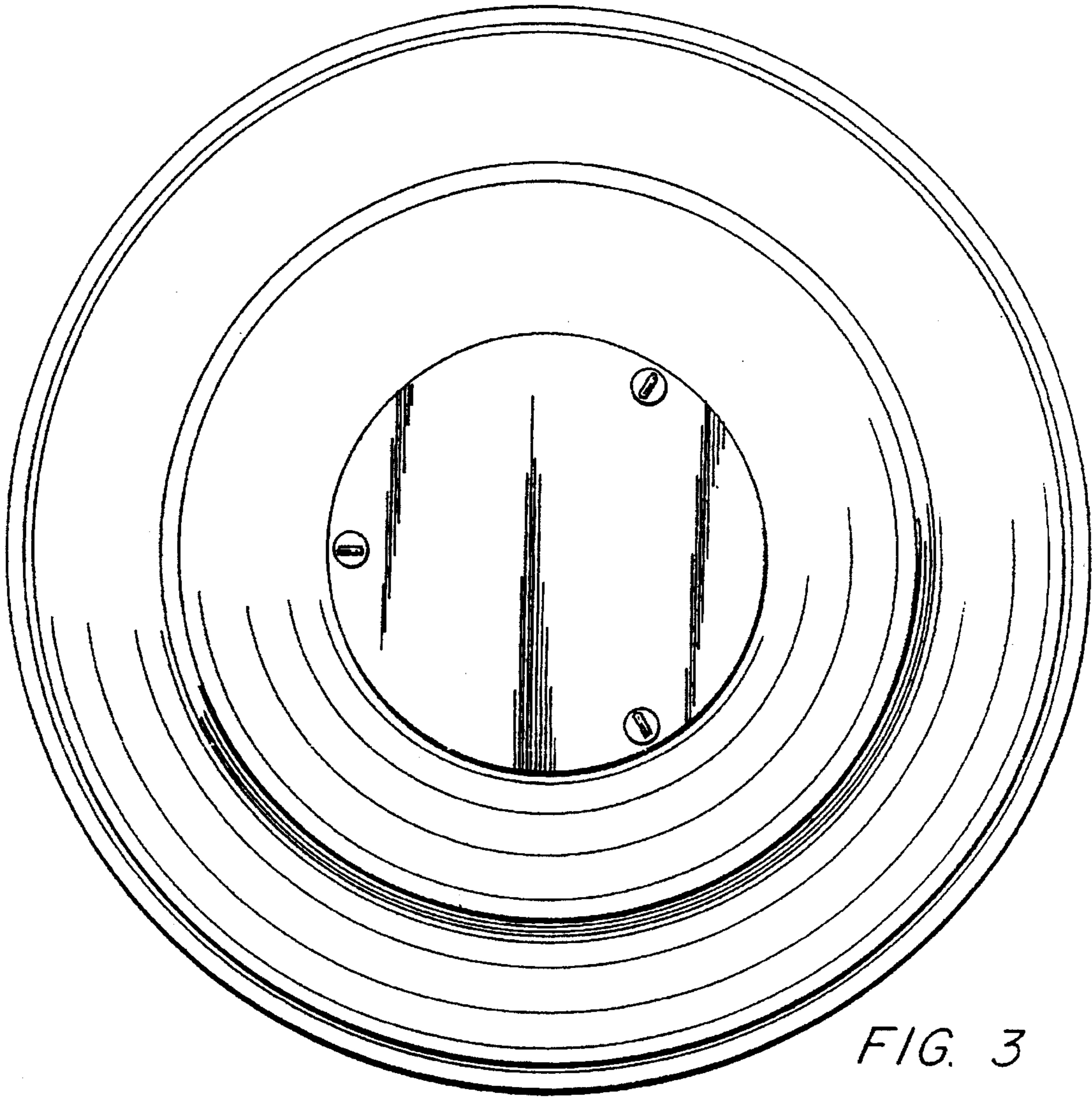


FIG. 3

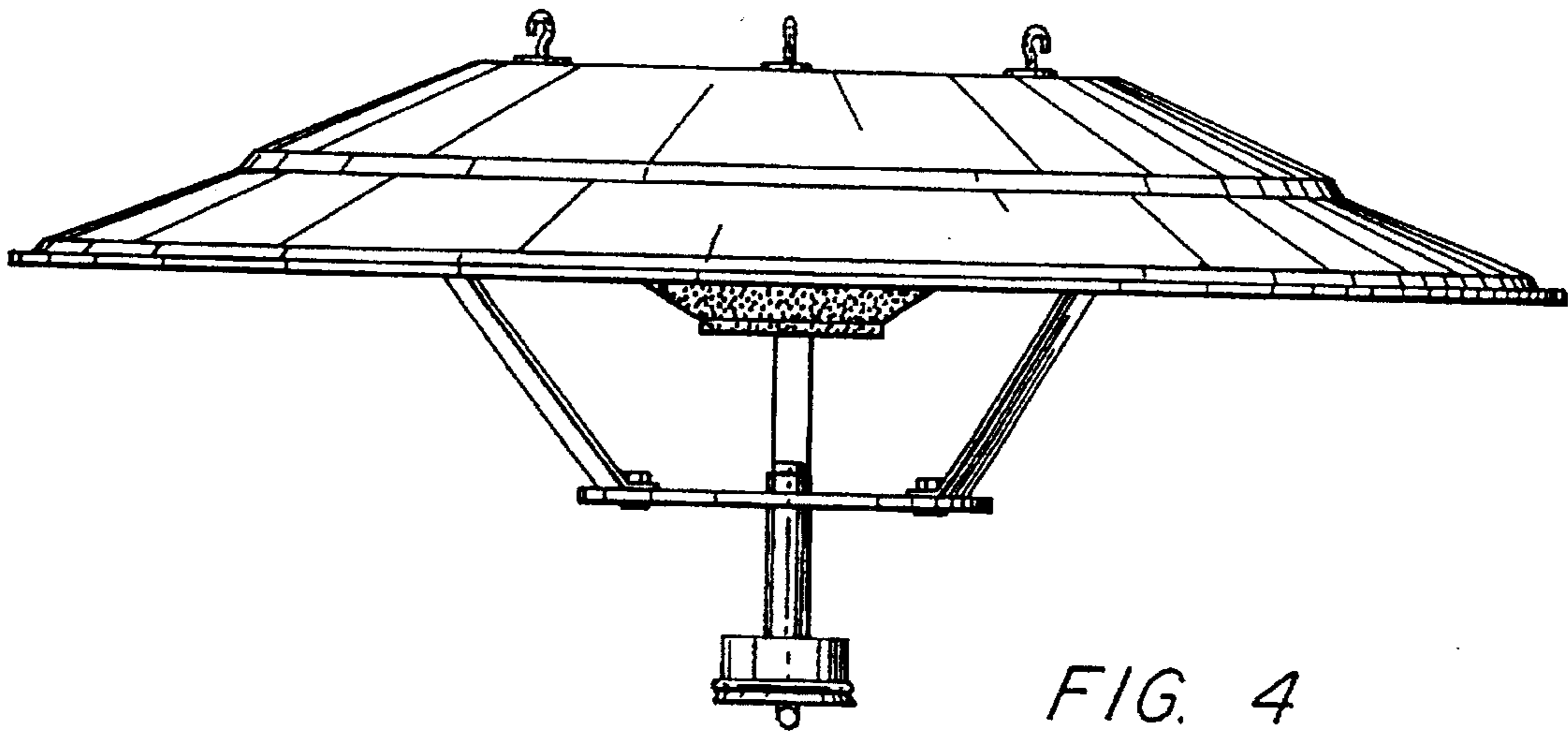


FIG. 4

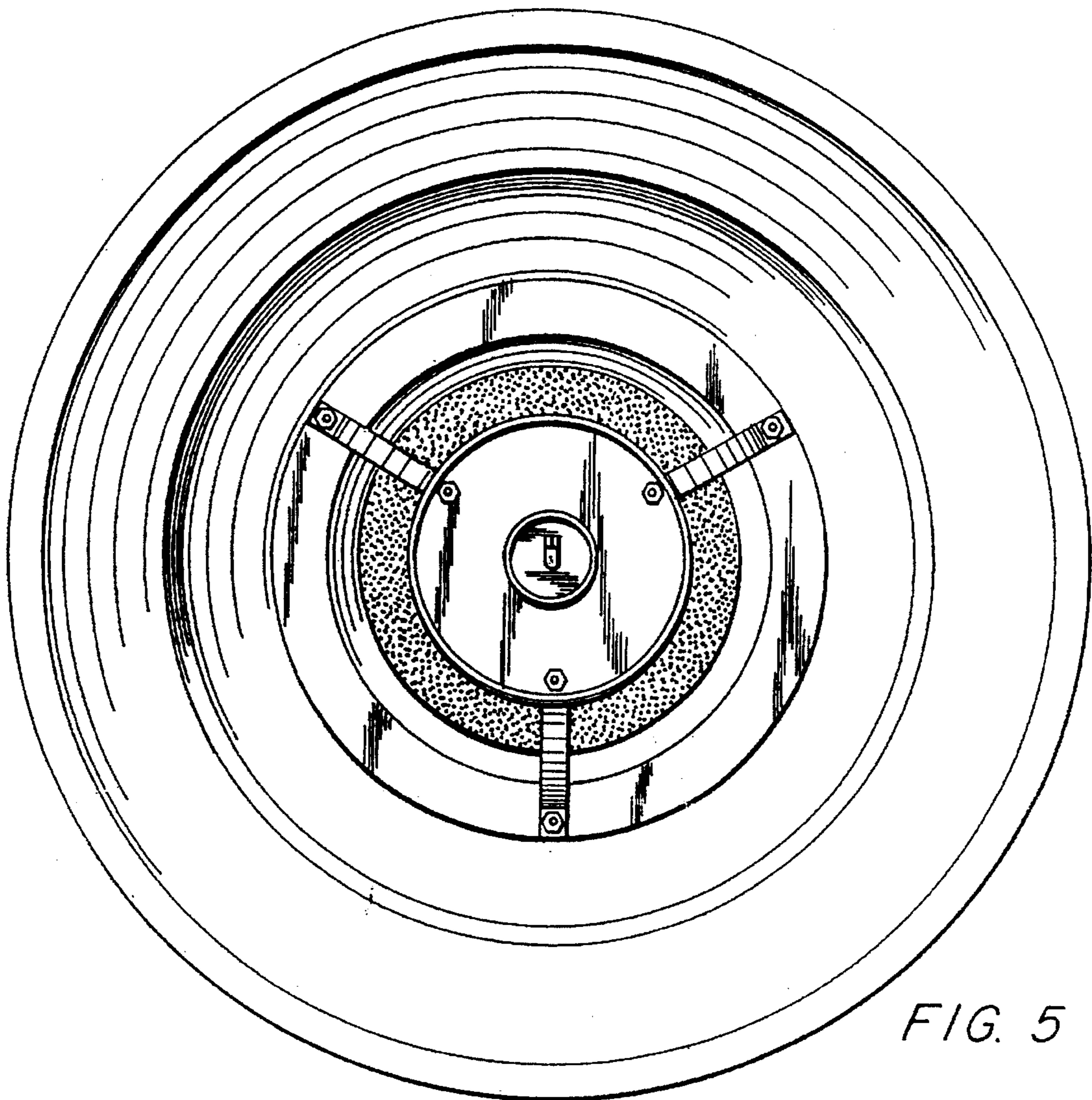


FIG. 5