



US00D382629S

United States Patent [19]
Doughty et al.

[11] **Patent Number: Des. 382,629**
[45] **Date of Patent: **Aug. 19, 1997**

[54] **FAUCET**
[75] **Inventors: Frederic C. Doughty, S. Pasadena; Darren M. Mark, Castaic, both of Calif.**
[73] **Assignee: Emhart Inc., Newark, Del.**
[**] **Term: 14 Years**
[21] **Appl. No.: 44,342**
[22] **Filed: Sep. 22, 1995**
[51] **LOC (6) Cl. 23-01**
[52] **U.S. Cl. D23/241**
[58] **Field of Search D23/238-243, D23/250-257; D8/300, 307, 310, 312; 4/675-678; 137/801**

D. 285,106 8/1986 Yost .
D. 288,835 3/1987 Yost .
D. 288,836 3/1987 Yost .
D. 289,318 4/1987 Yost .
D. 290,388 6/1987 Yost .
D. 299,518 1/1989 Yost .
D. 346,852 5/1994 Hill .

Primary Examiner—Louis S. Zarfes
Assistant Examiner—Eric Watterson
Attorney, Agent, or Firm—J. Bruce Hoofnagle

[57] **CLAIM**

The ornamental design for faucet, as shown and described.

DESCRIPTION

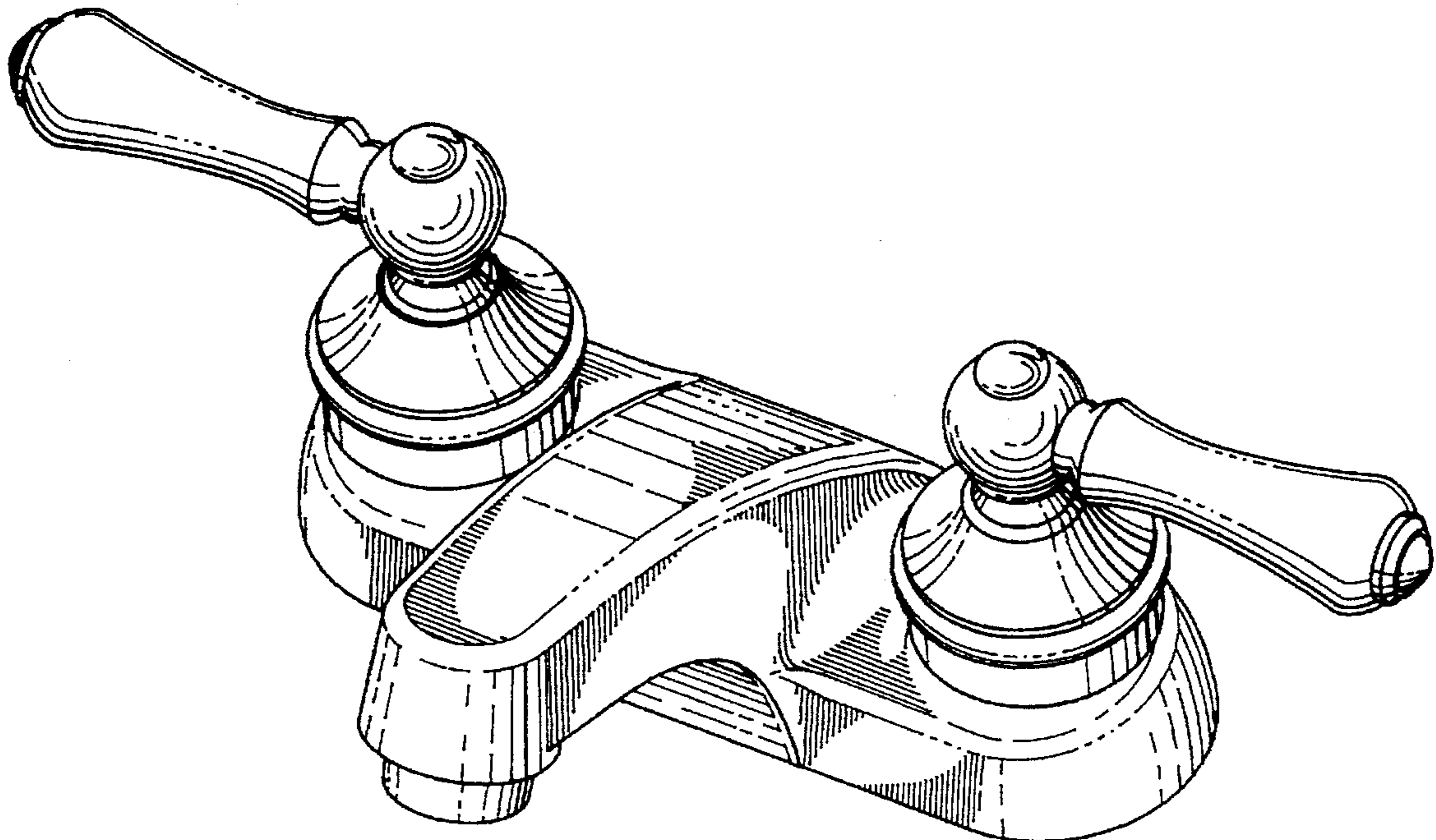
FIG. 1 is a perspective view of our new design of a faucet; FIG. 2 is a front elevational view of our new design of the faucet; FIG. 3 is a rear elevational view of our new design of the faucet; FIG. 4 is a right side elevational view of our new design of the faucet, a left side elevational view thereof being a mirror image of the right side elevational thereof; FIG. 5 is a top plan view of our new design of the faucet; and, FIG. 6 is a bottom plan view of our new design of the faucet.

[56] **References Cited**

U.S. PATENT DOCUMENTS

D. 187,846 5/1960 Brown D23/241
D. 190,791 6/1961 Kohler D23/241
D. 192,003 12/1961 Young .
D. 200,042 1/1965 Mackay .
D. 229,495 12/1973 Landell .
D. 258,521 3/1981 Thevenot D23/241
D. 276,645 12/1984 Piesco D23/241

1 Claim, 5 Drawing Sheets



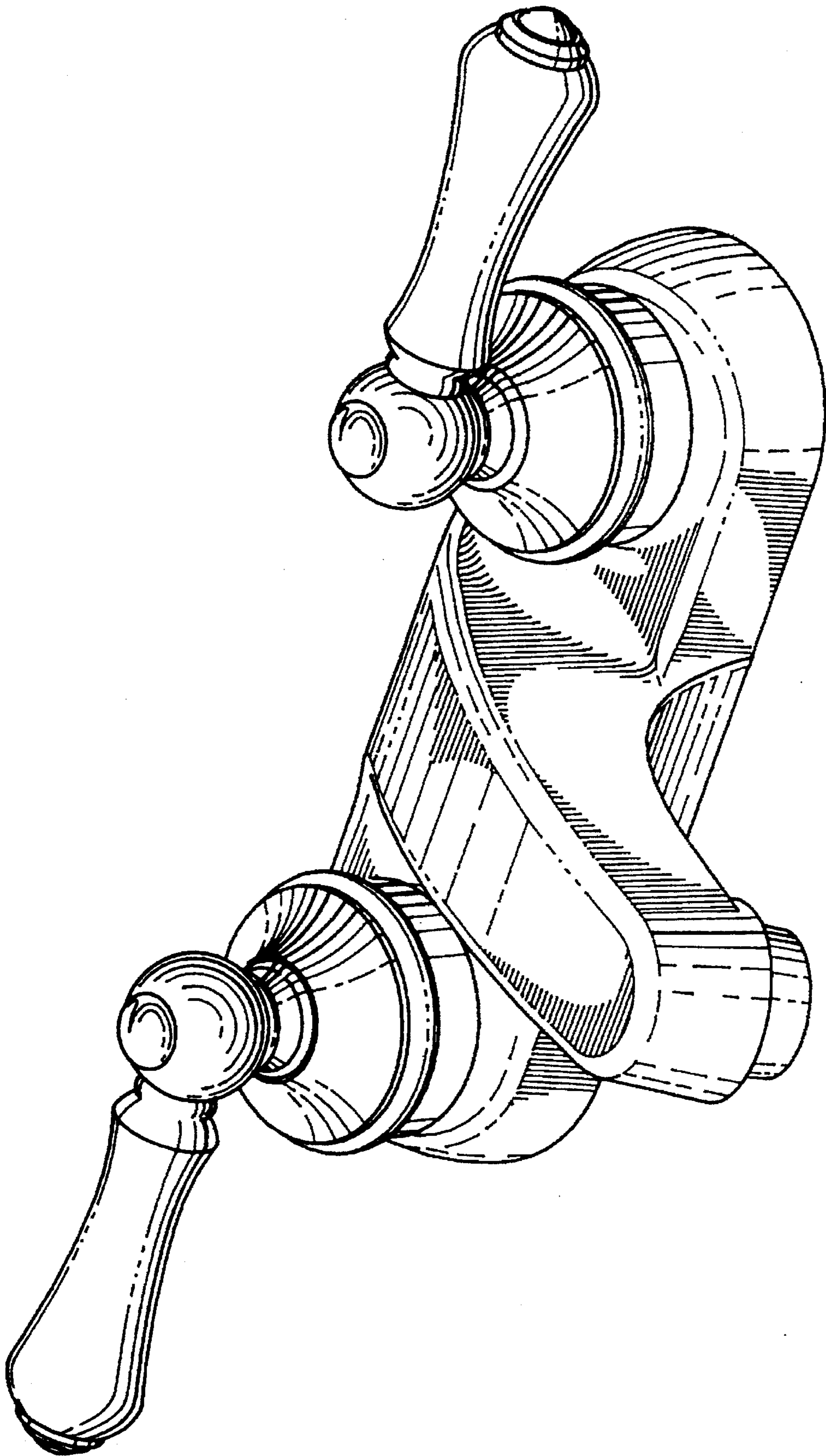


FIG. 1

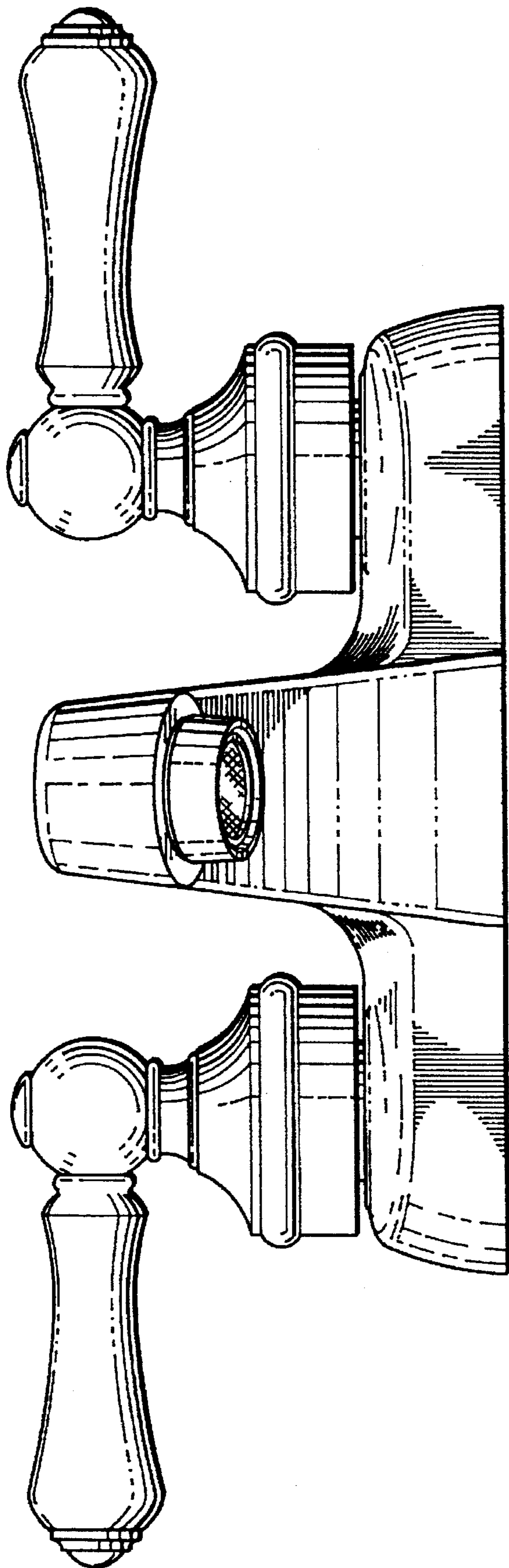


FIG. 2

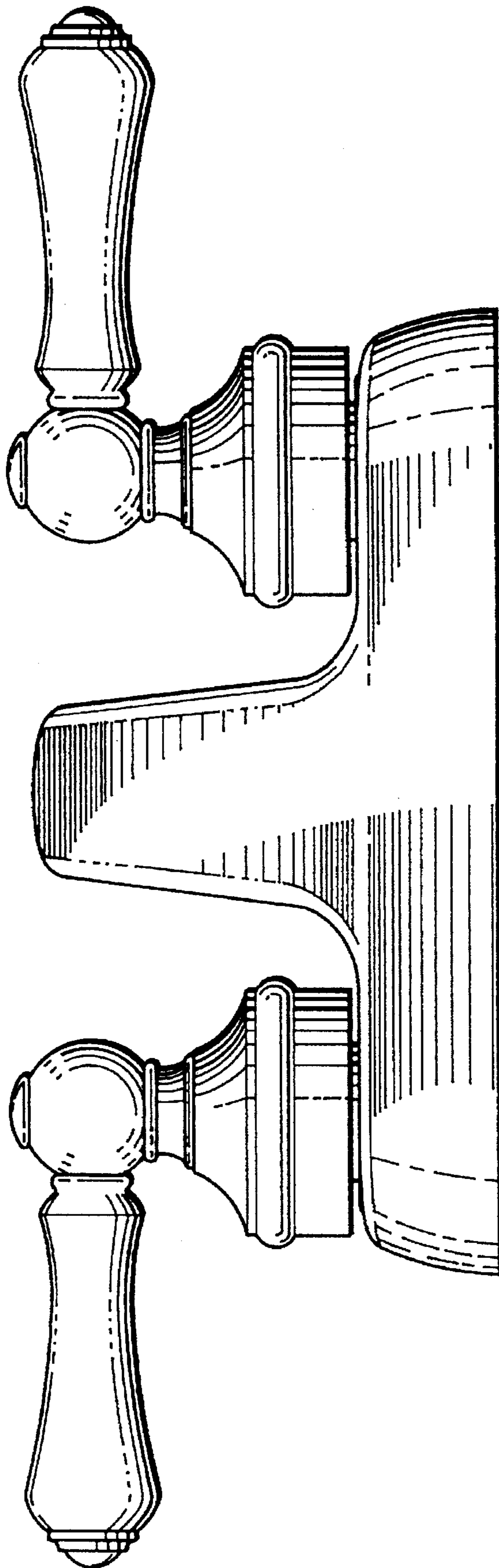


FIG. 3

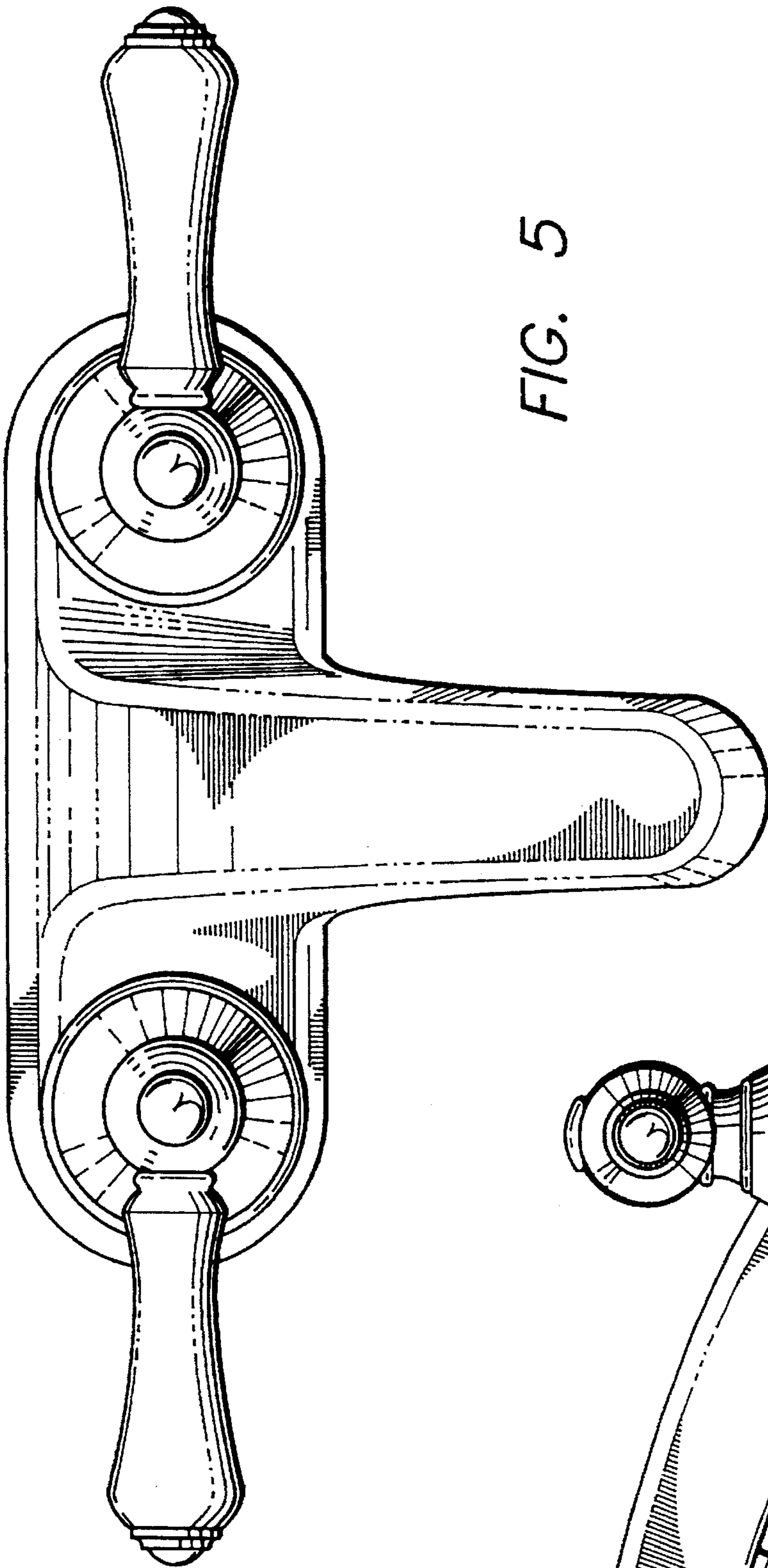


FIG. 5

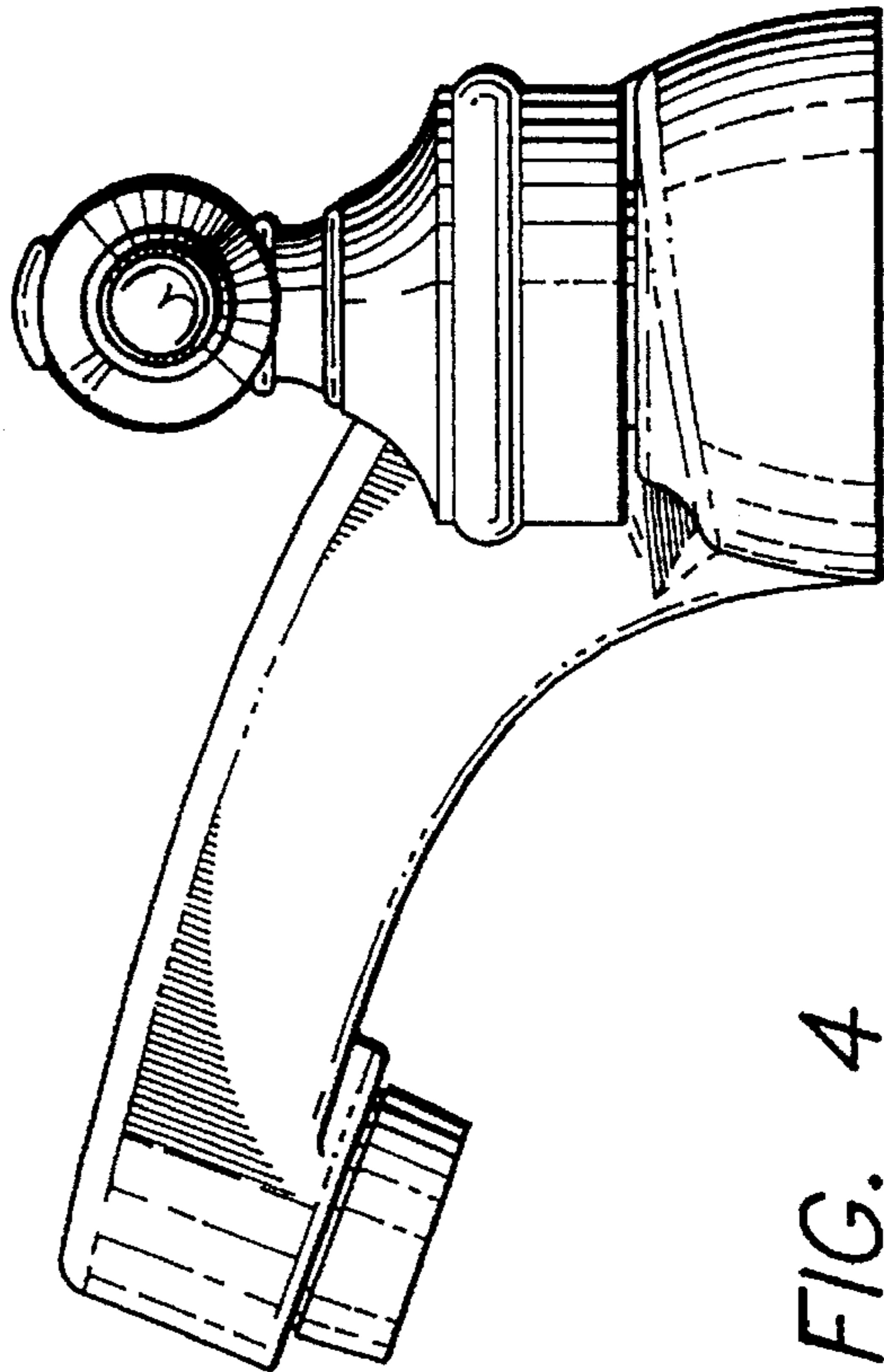


FIG. 4

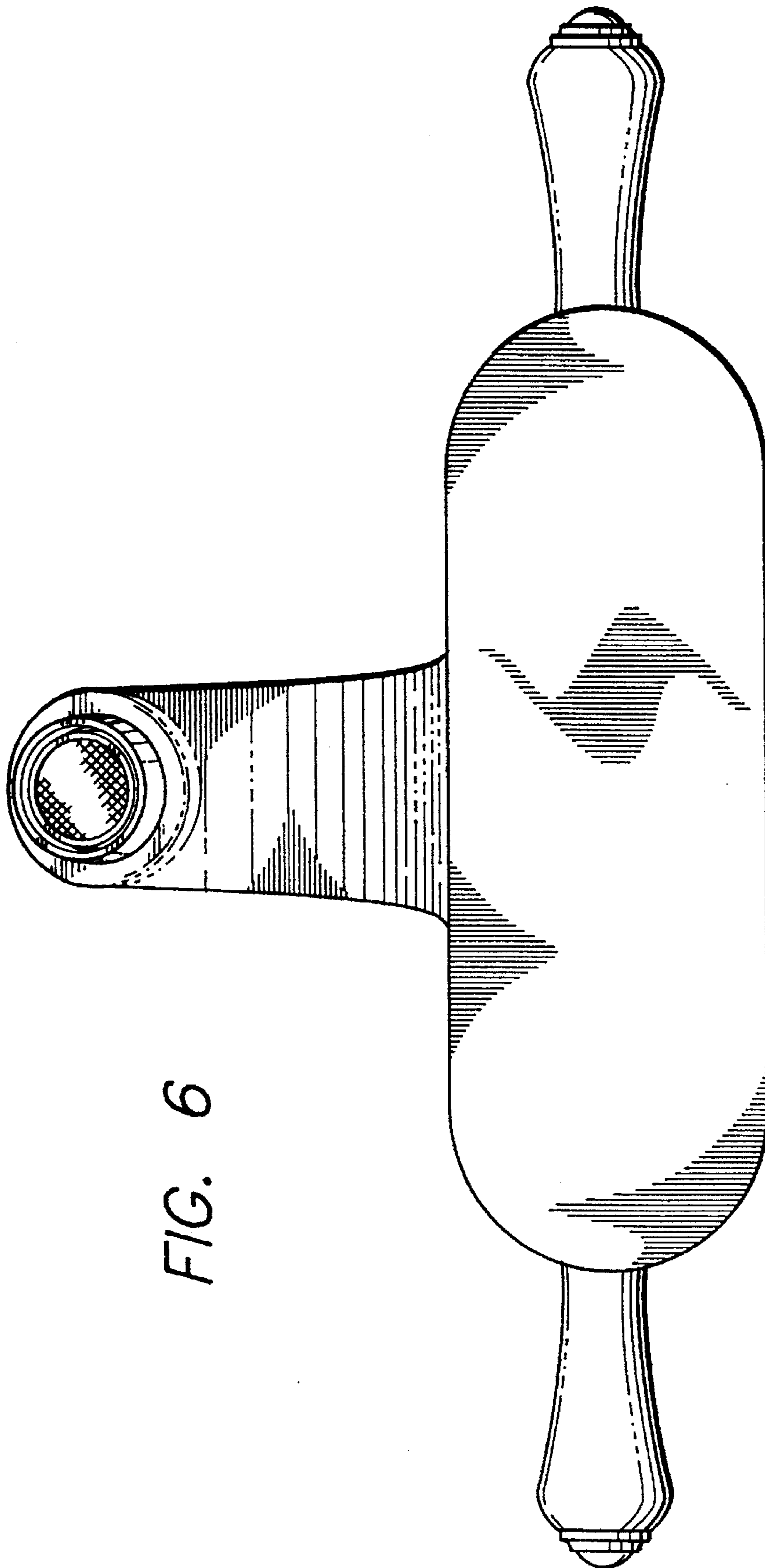


FIG. 6