



US00D382625S

United States Patent [19]

Hasselbusch

[11] Patent Number: **Des. 382,625**

[45] Date of Patent: ****Aug. 19, 1997**

[54] **SAFETY WEATHER CAP FOR ROTARY BOX TYPE CARTRIDGE MAGAZINE**

2,715,290 8/1955 Harvey 42/50
3,676,946 7/1972 Sibilis 42/88 X

[76] Inventor: **Harold Hasselbusch**, 144-21 68th Dr.,
Flushing, N.Y. 11367

Primary Examiner—Louis S. Zarfes
Assistant Examiner—Monica A. Weingart
Attorney, Agent, or Firm—Nicholas J. Garofalo

[**] Term: **14 Years**

[57] **CLAIM**

[21] Appl. No.: **49,075**

The ornamental design for a safety weather cap for a rotary box type cartridge magazine, as shown and described.

[22] Filed: **Jan. 16, 1996**

[51] LOC (6) Cl. **22-01**

[52] U.S. Cl. **D22/108; D22/100; D22/199**

[58] **Field of Search** D22/100, 108,
D22/116, 199; 42/50, 87, 88, 70.07, 90,
100

DESCRIPTION

FIG. 1 is a perspective view of the front side, the right side and the top end of a safety weather cap for a rotary box type cartridge magazine showing my new design;

FIG. 2 is an elevational view of the left side thereof;

FIG. 3 is an elevational view of the right side thereof;

FIG. 4 is an elevational view of the front end thereof;

FIG. 5 is an elevational view of the back end thereof; and,

FIG. 6 is a plan view of the top end thereof.

The bottom of the safety weather cap for a rotary box type cartridge magazine is not part of the claimed design.

[56] **References Cited**

U.S. PATENT DOCUMENTS

D. 242,346	11/1976	Sofinowski, III et al.	D22/108
D. 243,174	1/1977	Sofinowski, III	D22/108
D. 270,078	8/1983	Buffum	42/90 X
1,178,785	4/1916	Debuchy	42/87

1 Claim, 2 Drawing Sheets

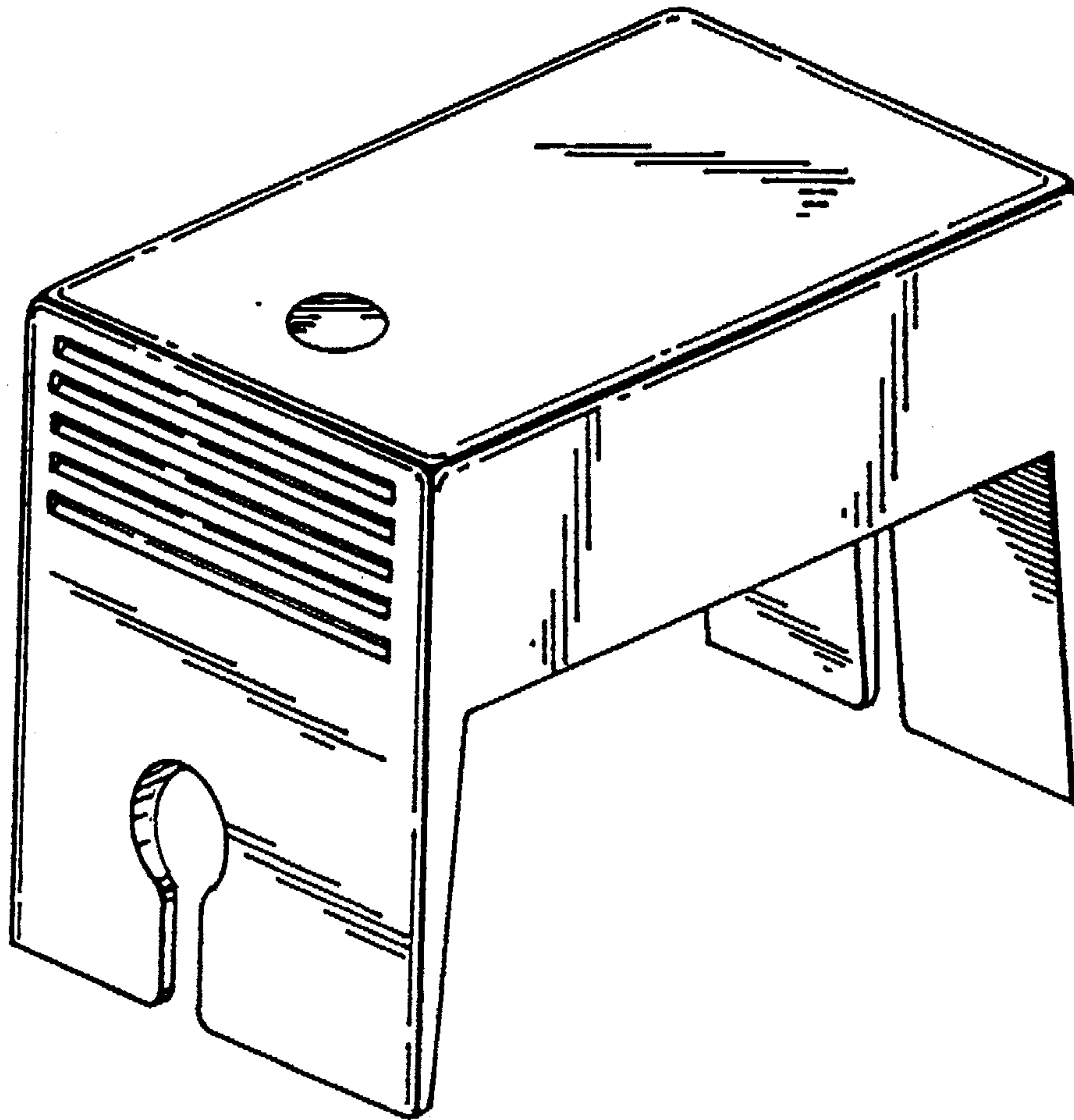


Fig. 1

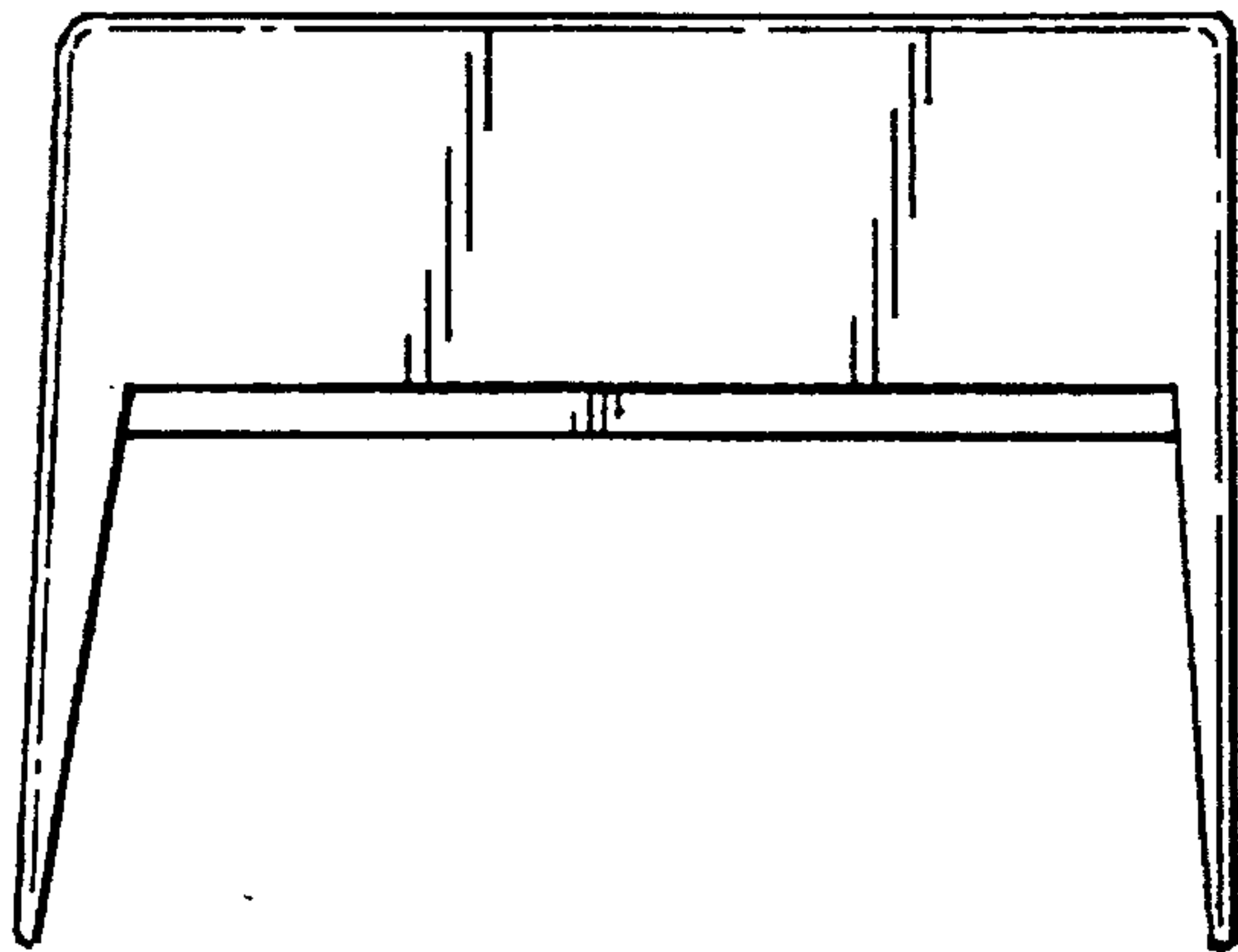
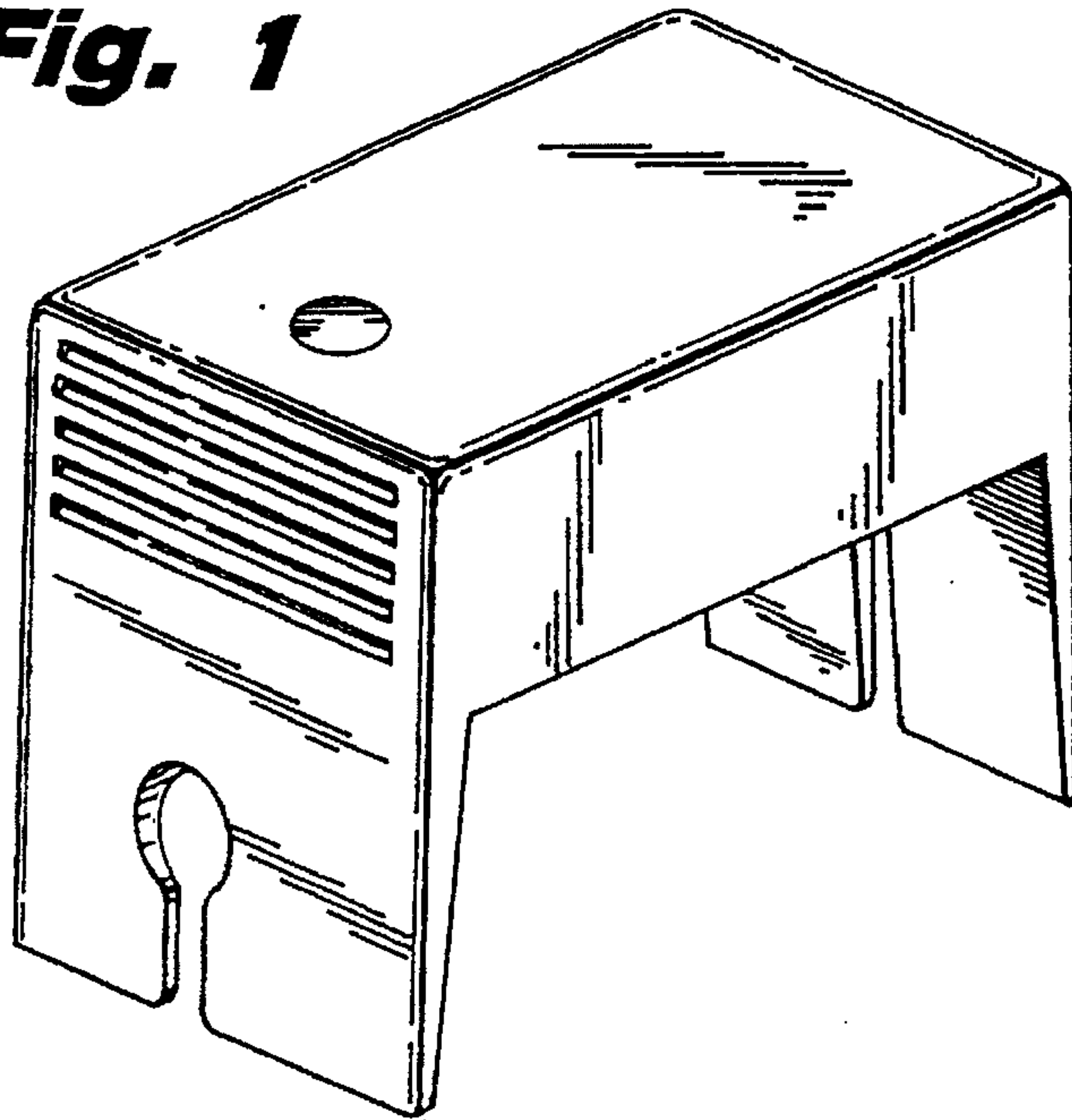


Fig. 2

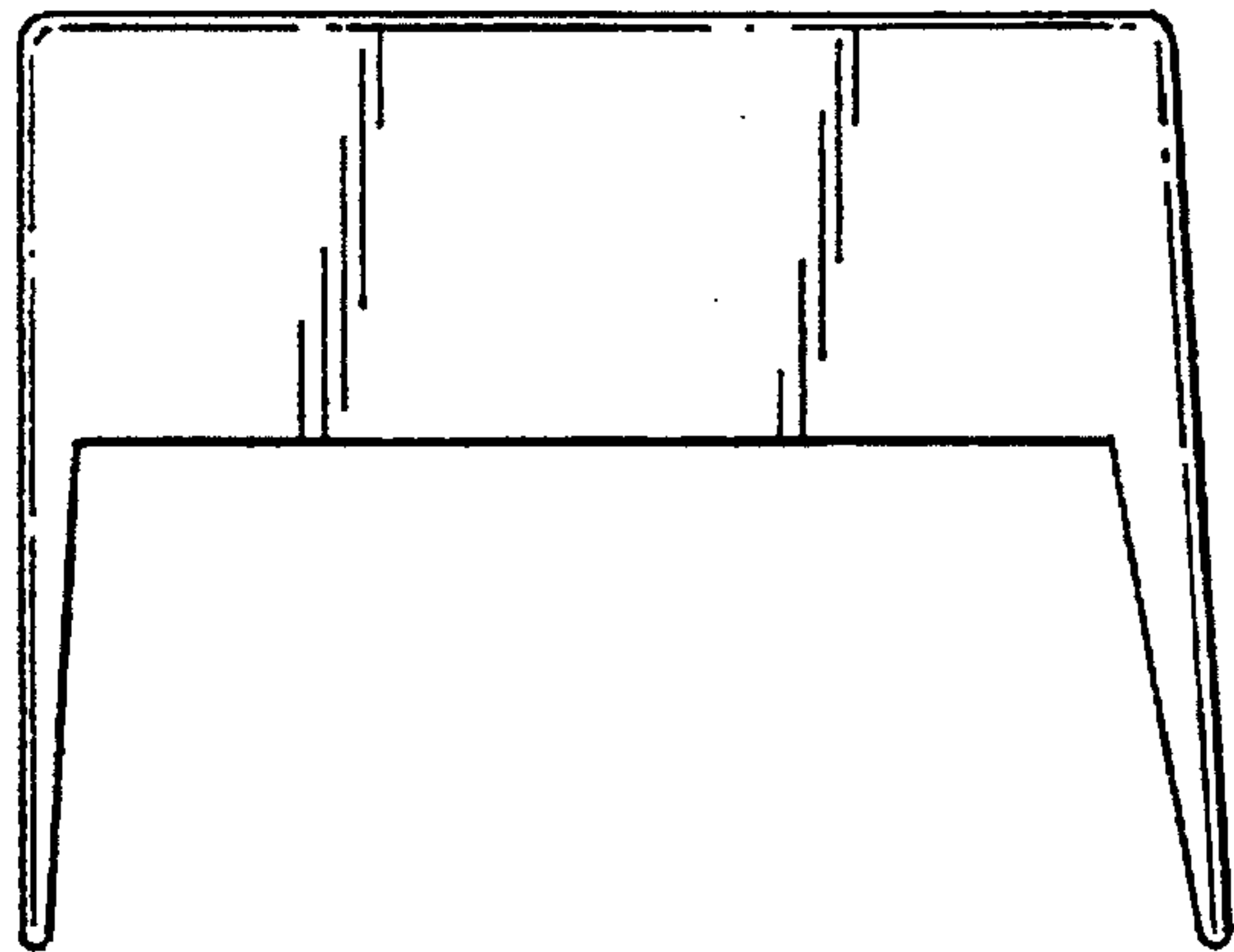


Fig. 3

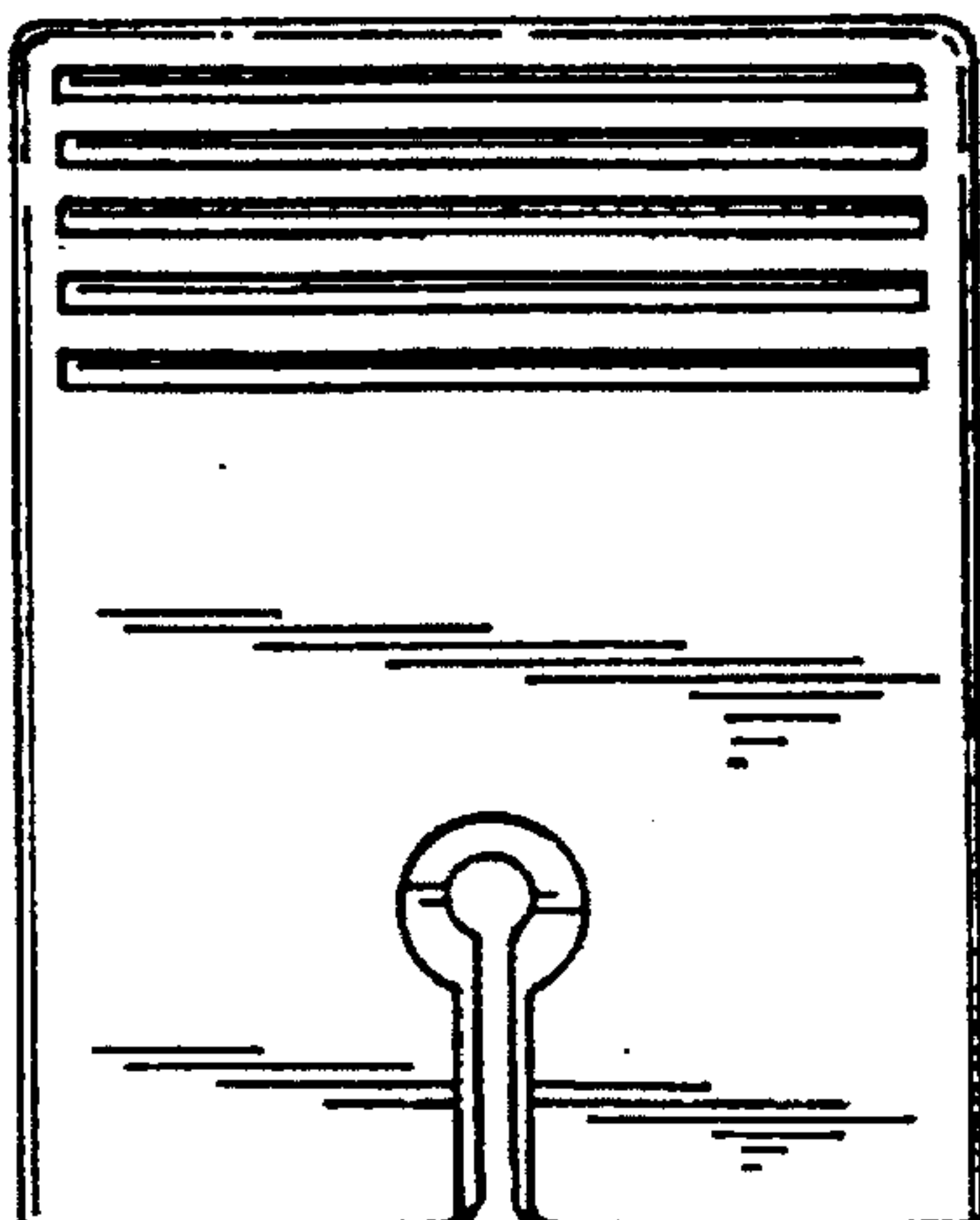


Fig. 4

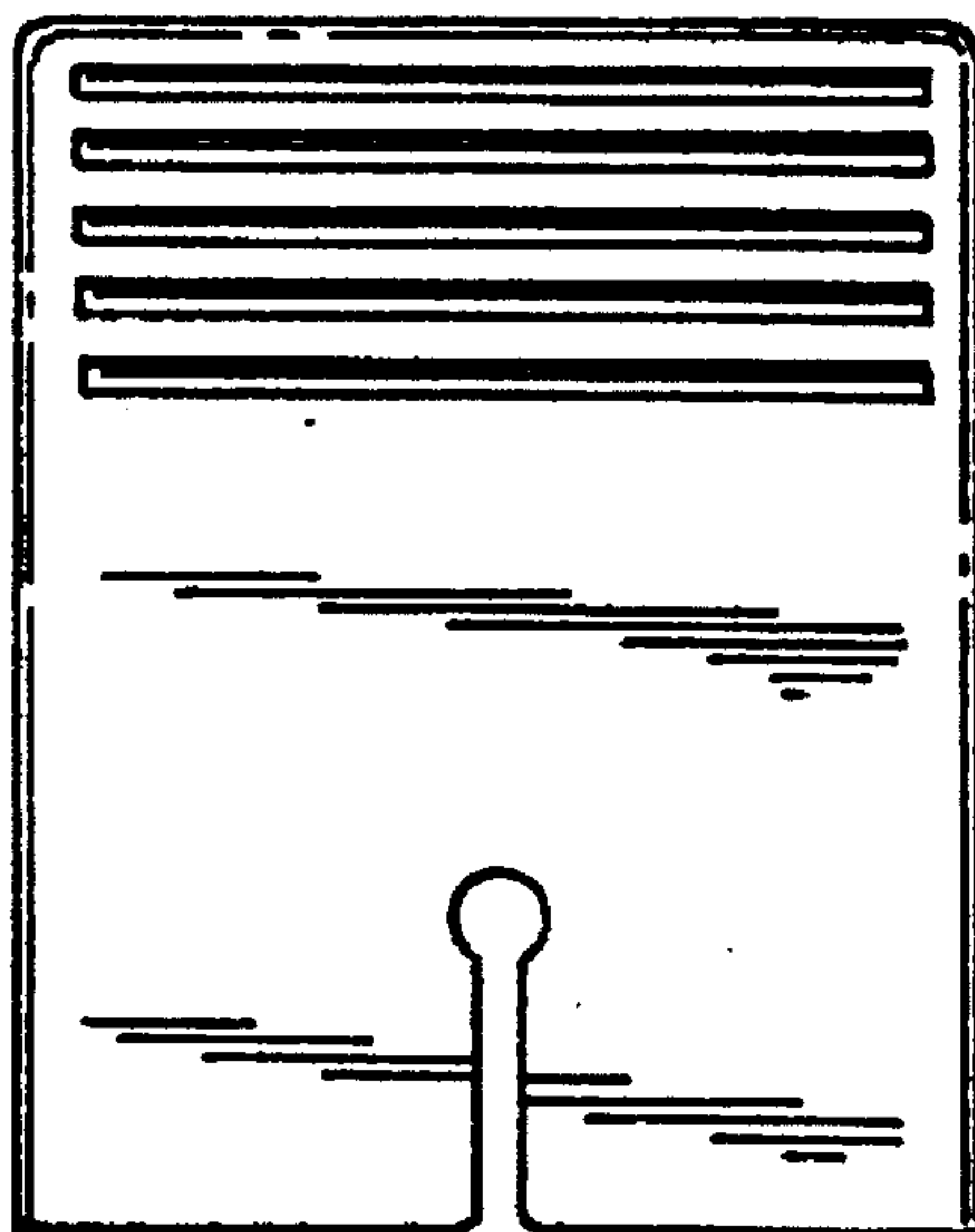


Fig. 5

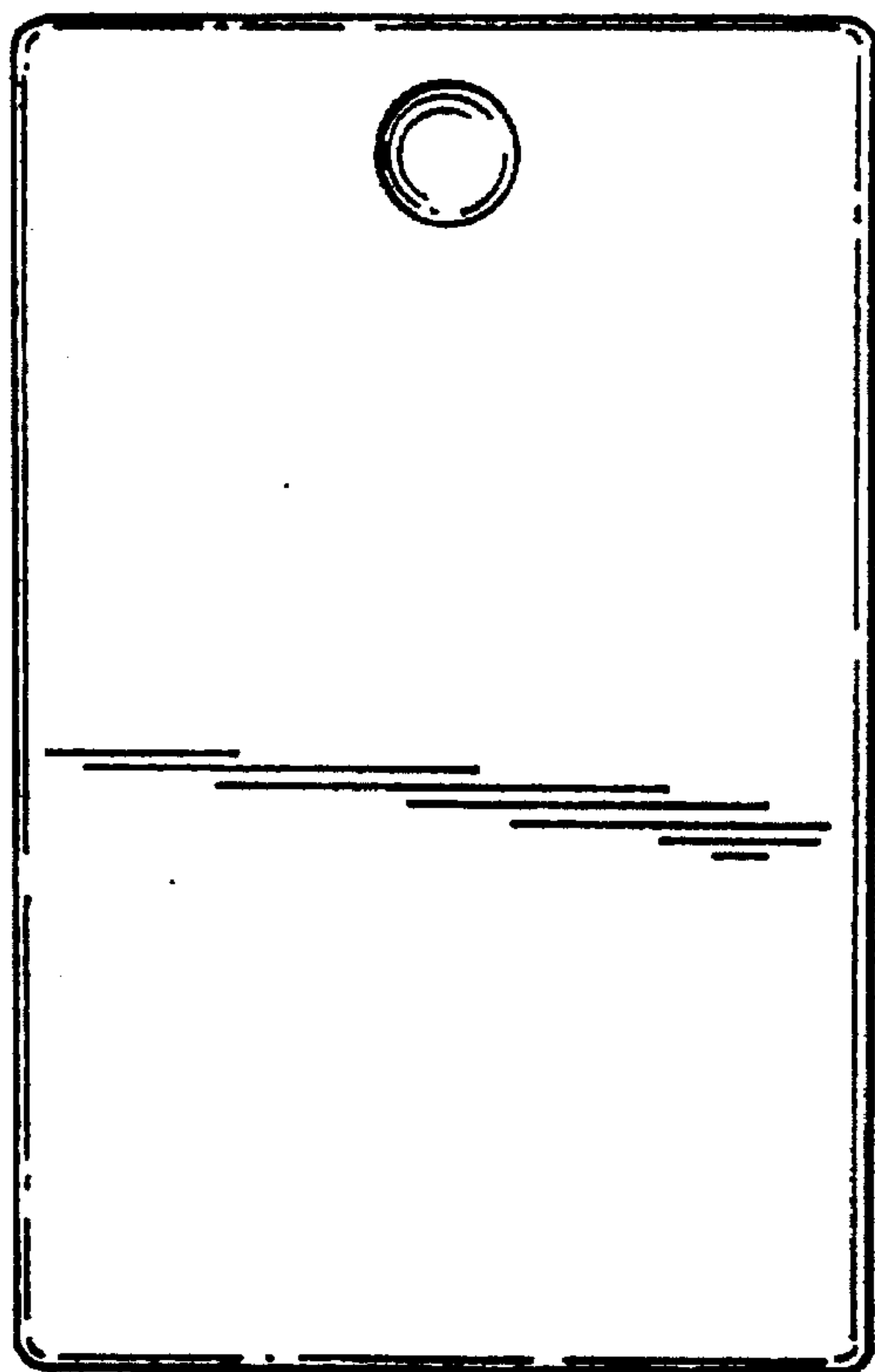


Fig. 6