



US00D382624S

United States Patent [19]

[11] Patent Number: **Des. 382,624**

Benson

[45] Date of Patent: ****Aug. 19, 1997**

[54] **CARTRIDGE CASING COLLECTOR**

5,285,593 2/1994 Bammate 42/98
5,398,439 3/1995 Harless 42/98

[76] Inventor: **Phillip D. Benson**, 644 Victoria Way,
Arroyo Grande, Calif. 93420

Primary Examiner—Louis S. Zarfaz
Assistant Examiner—Monica A. Weingart
Attorney, Agent, or Firm—Joseph N. Breaux

[**] Term: **14 Years**

[57] **CLAIM**

[21] Appl. No.: **47,853**

The ornamental design for a cartridge casing collector, as shown.

[22] Filed: **Dec. 13, 1995**

[51] LOC (6) Cl. **22-01**

DESCRIPTION

[52] U.S. Cl. **D22/108; D22/116**

[58] **Field of Search** D22/100, 108,
D22/116, 199; 42/87, 88, 94, 98; 89/34;
206/3; 224/931

FIG. 1 is a perspective view of the cartridge casing collector; FIG. 2 is a plan view of the rear of the cartridge casing collector; FIG. 3 is a plan view of the front of the cartridge casing collector; FIG. 4 is a plan view of the left side of the cartridge casing collector; FIG. 5 is a plan view of the right side of the cartridge casing collector; FIG. 6 is a plan view of the top side of the cartridge casing collector; and, FIG. 7 is a plan view of the underside of the cartridge casing collector.

[56] **References Cited**

U.S. PATENT DOCUMENTS

D. 274,170	6/1984	Retzlaff et al.	D22/108
2,573,774	11/1951	Sandberg	89/34
3,985,060	10/1976	Conley	89/34
4,166,333	9/1979	Kratzer	42/98
4,204,353	5/1980	Isola	42/1 T
4,334,375	6/1982	Olson	42/1 T
4,594,803	6/1986	Muncy	42/98
4,903,426	2/1990	Bammate	42/98

1 Claim, 3 Drawing Sheets

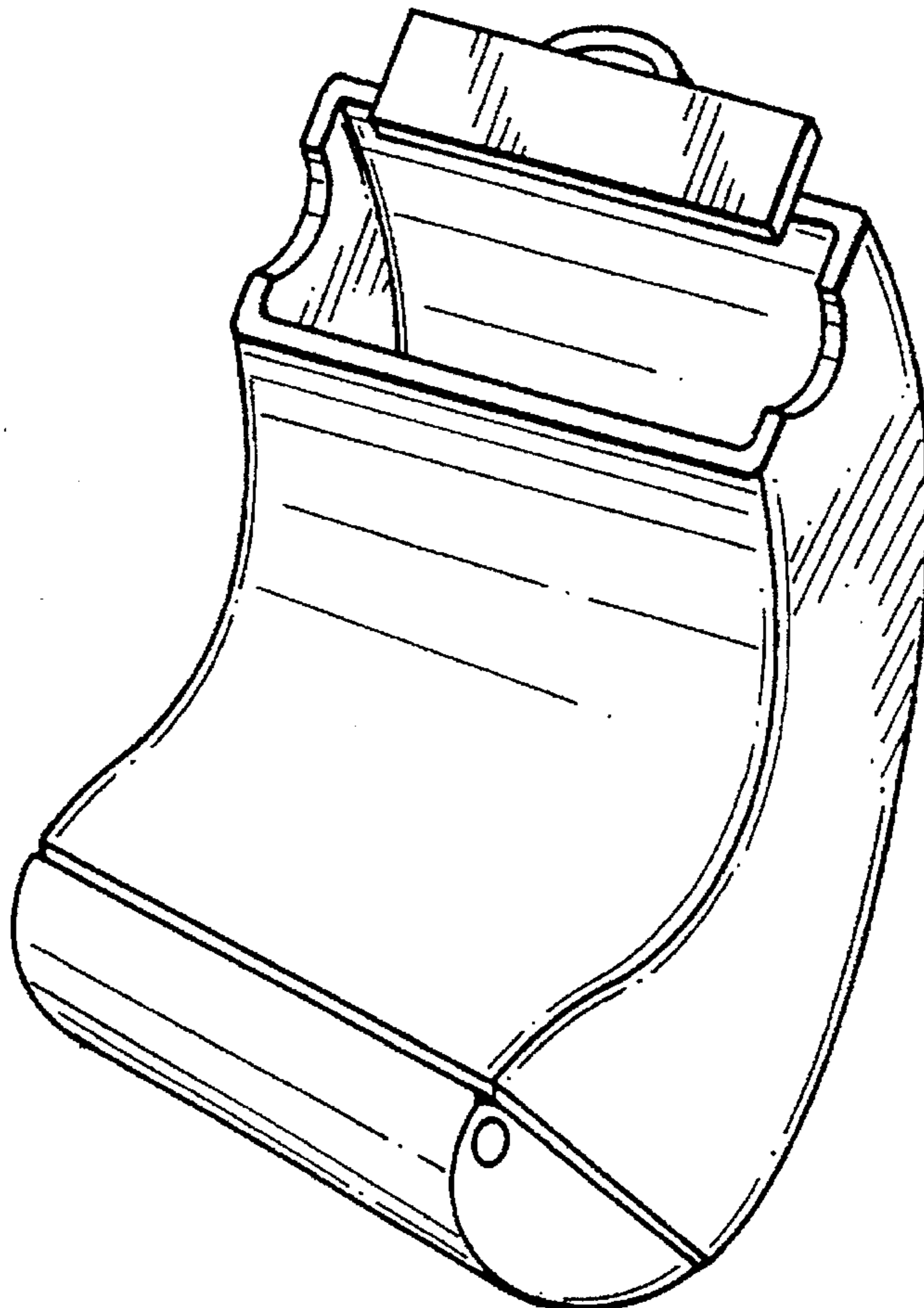


FIG. 1

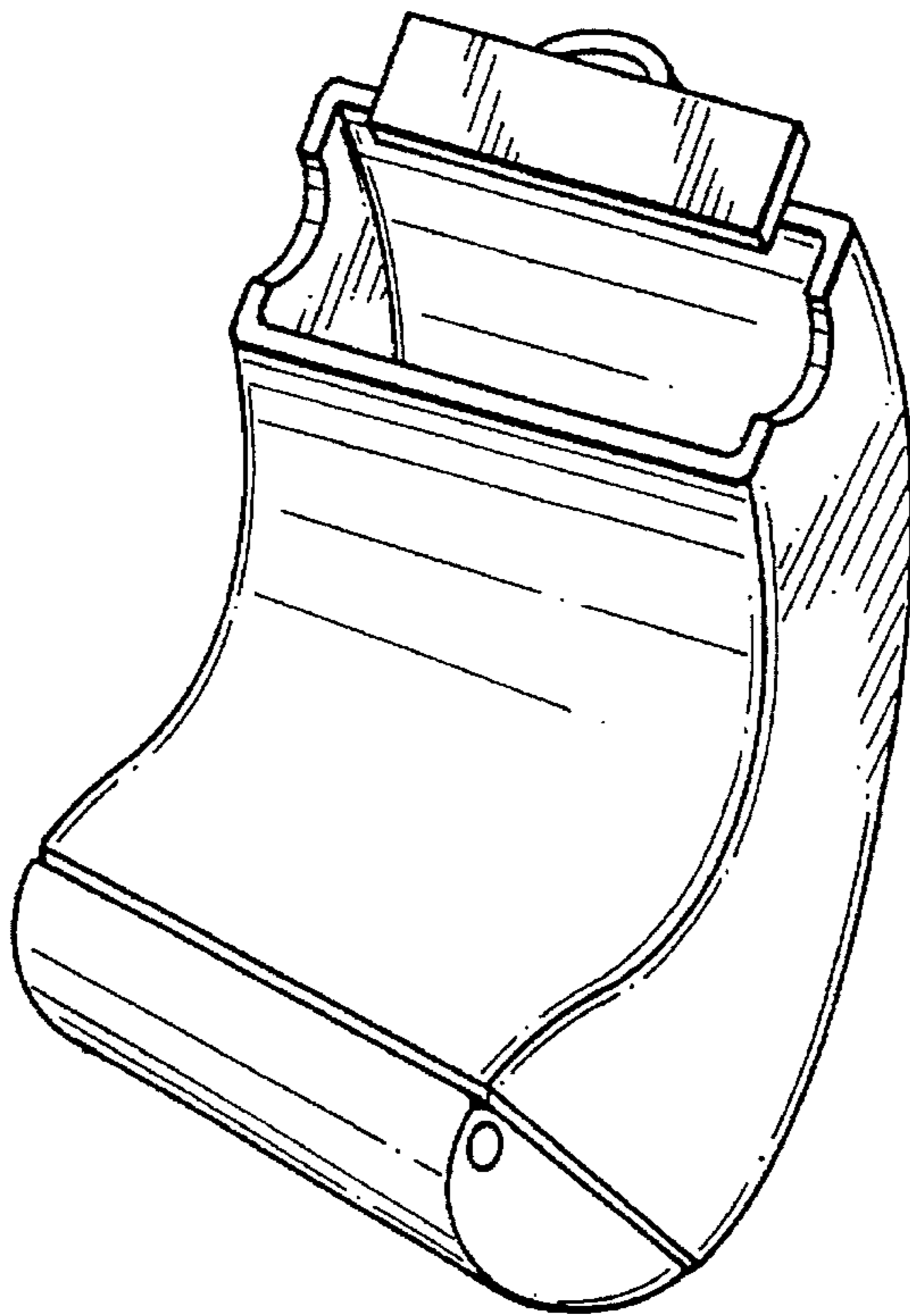


FIG. 6

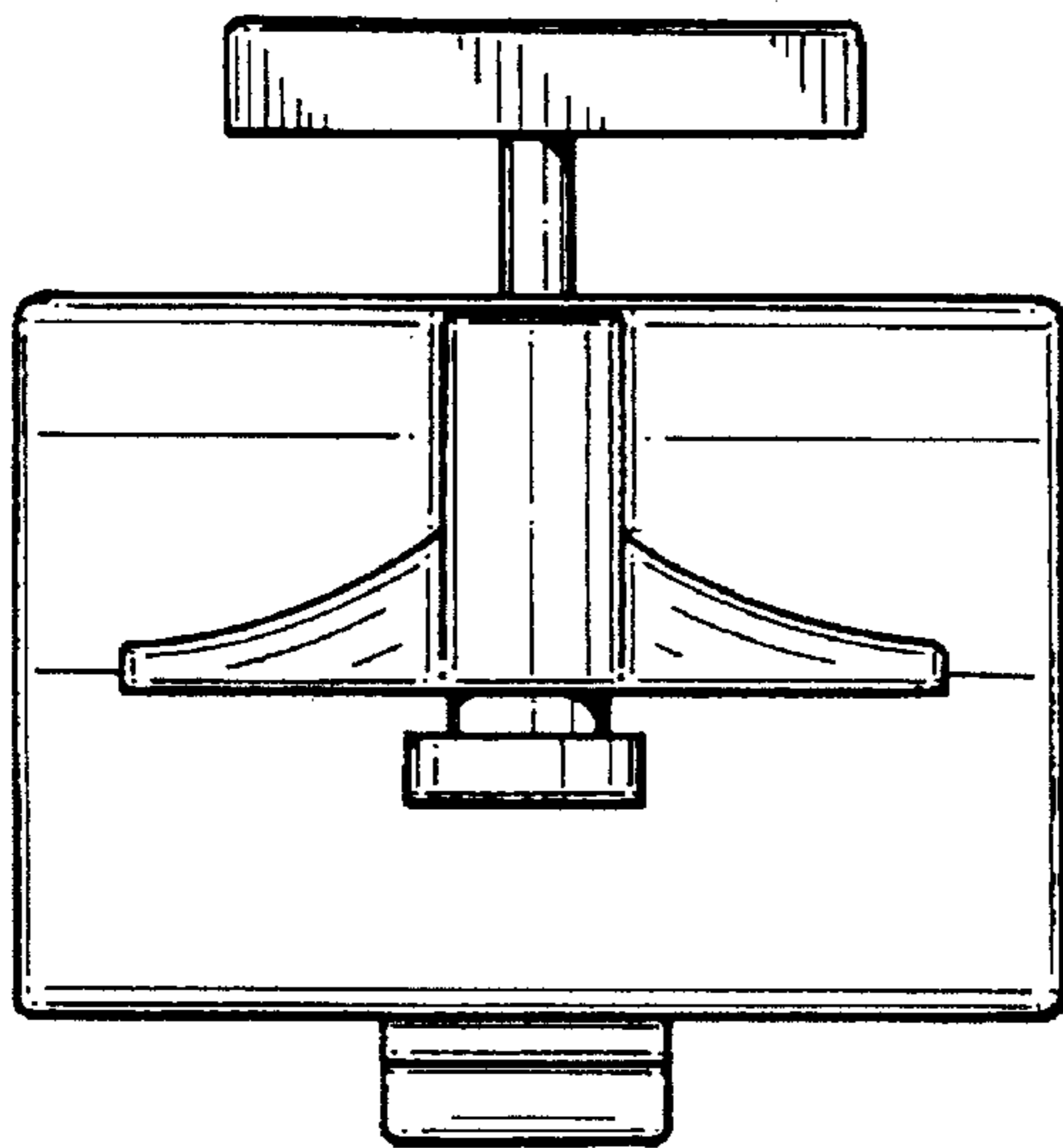


FIG. 7

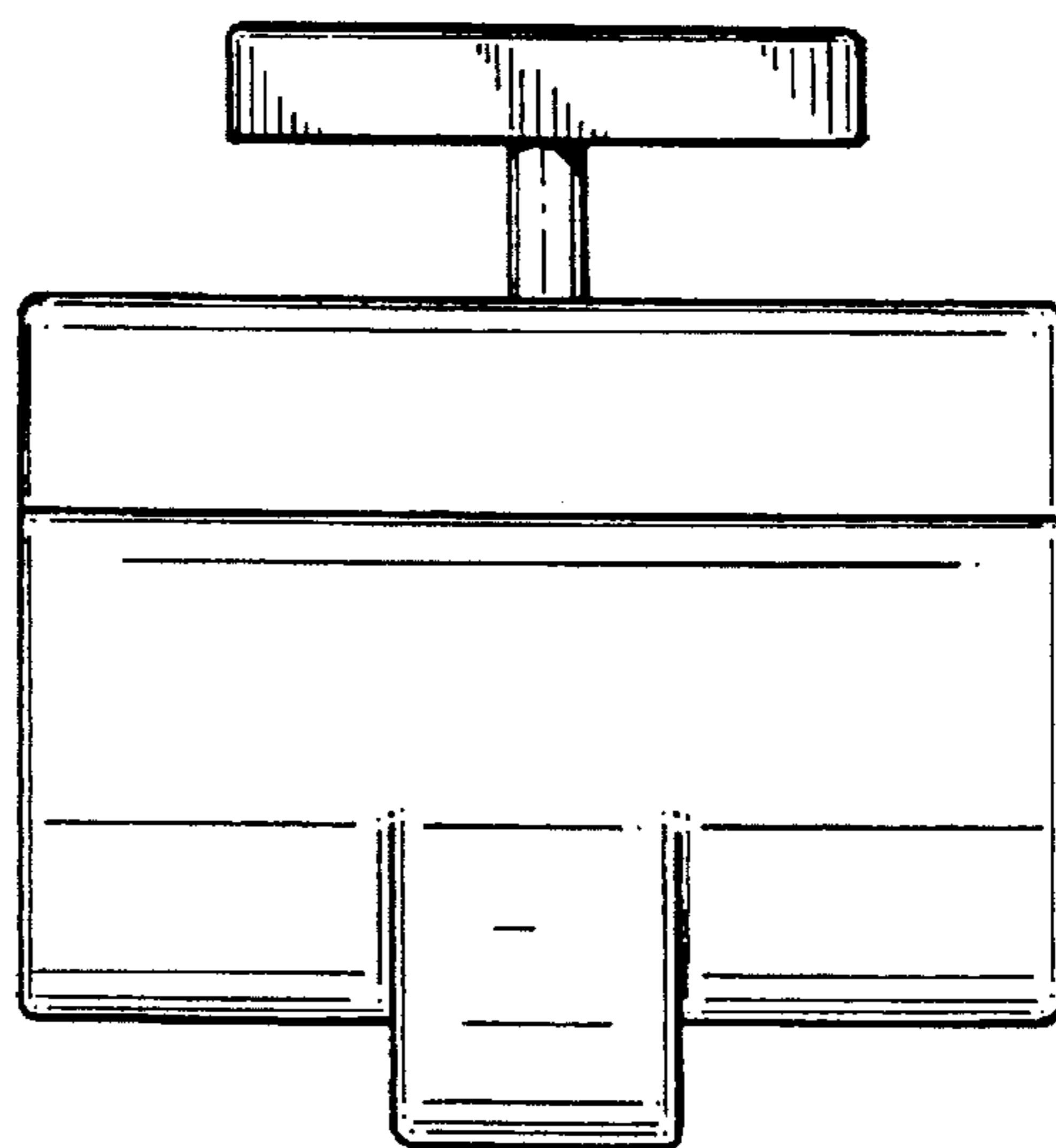


FIG. 2

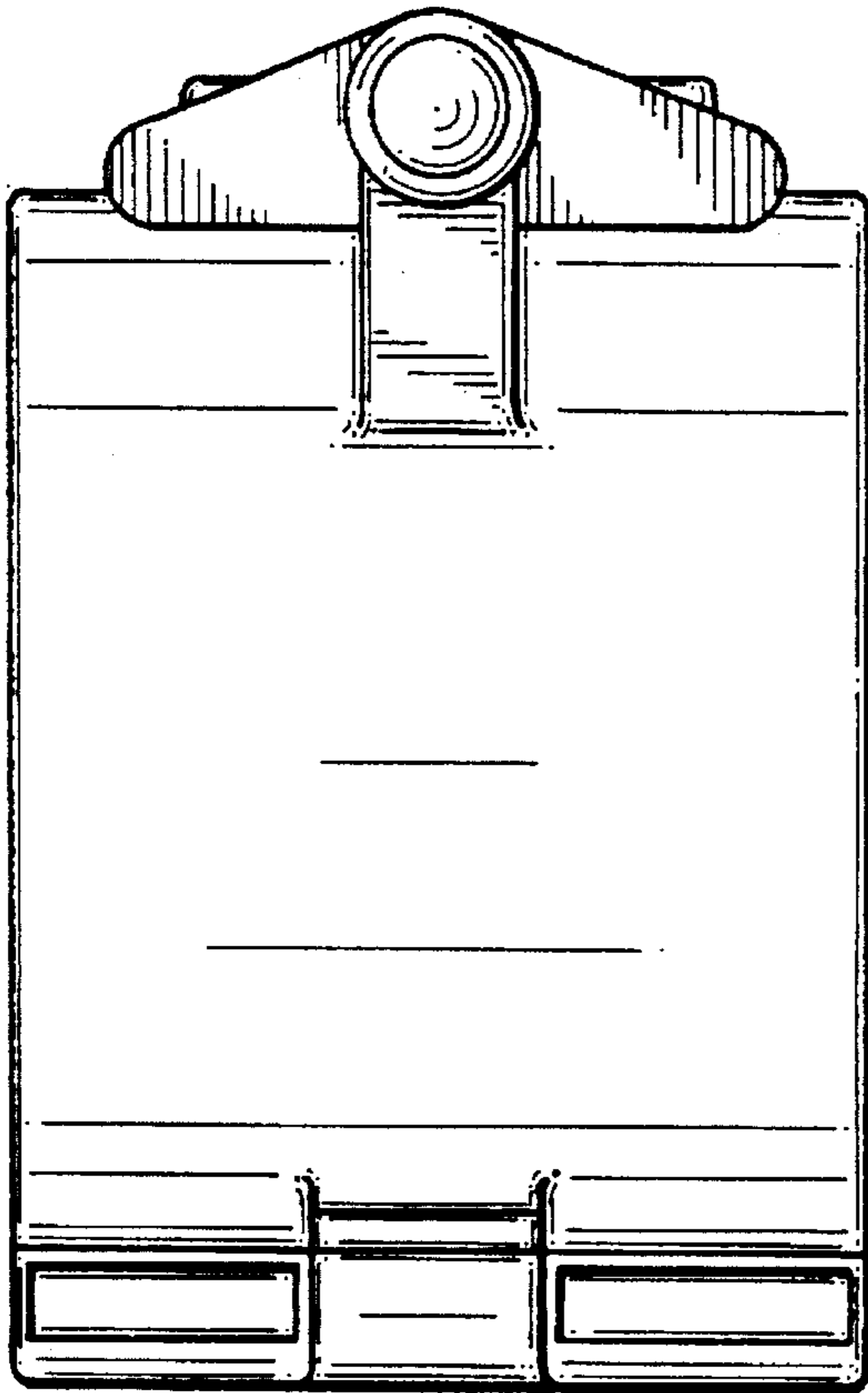


FIG. 3

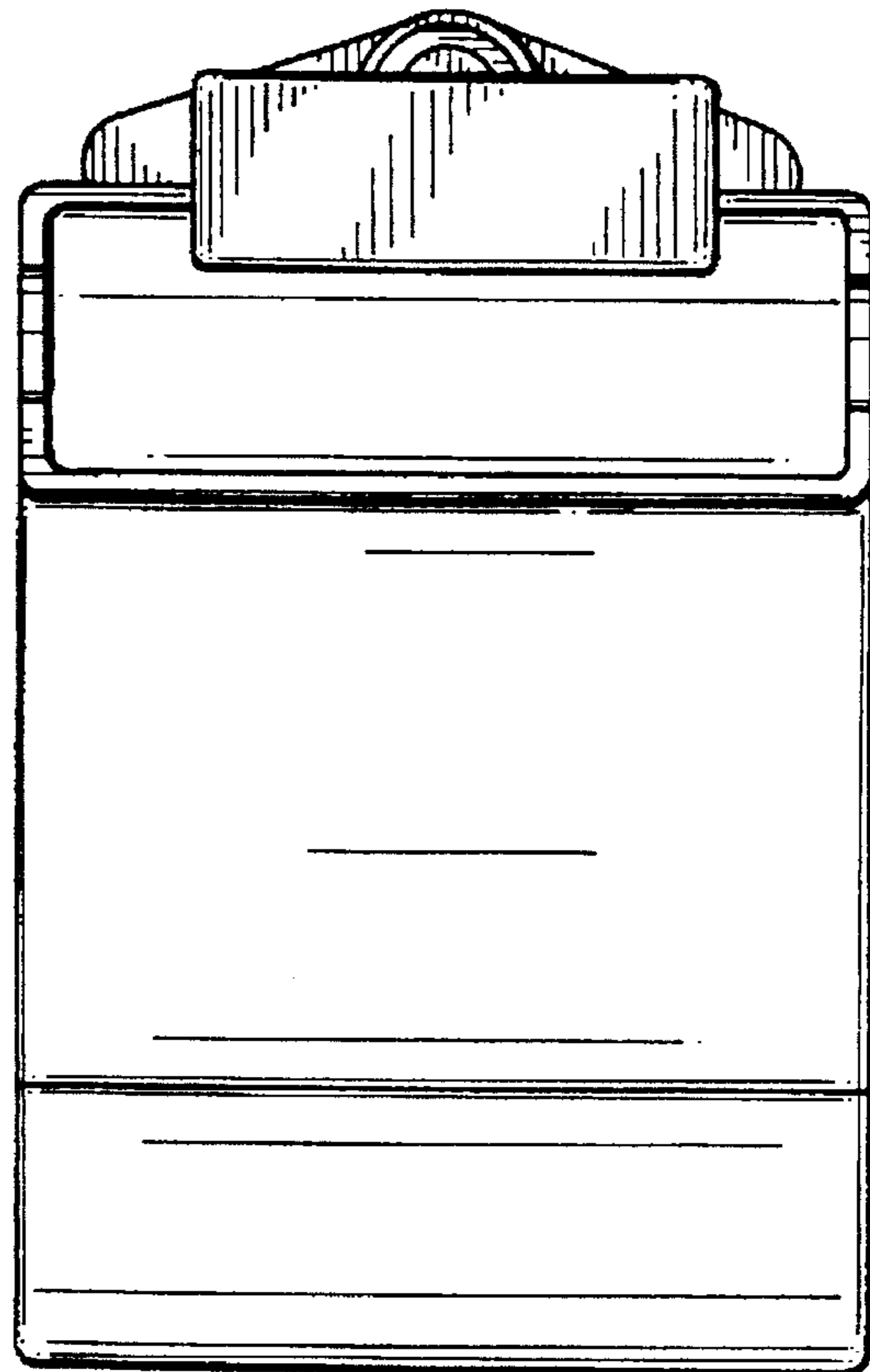


FIG. 4

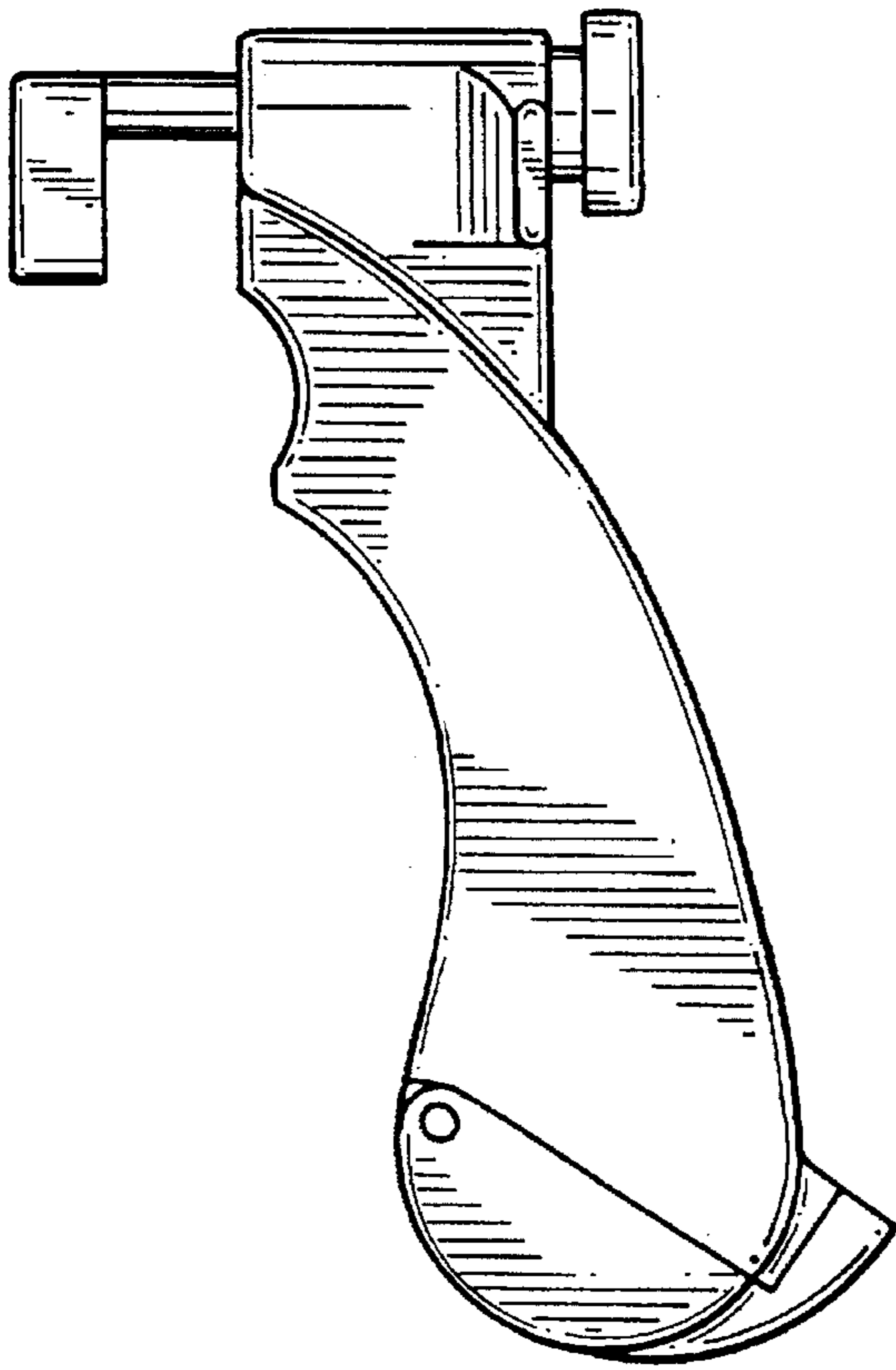


FIG. 5

