



US00D382620S

United States Patent [19] Callan

[11] Patent Number: **Des. 382,620**

[45] Date of Patent: ****Aug. 19, 1997**

[54] **FLIGHT SIMULATOR FOR HOME ENTERTAINMENT USE**

4,276,030 6/1981 Radice 434/62

[76] Inventor: **John F. Callan**, 20415 Anza Ave. #15,
Torrance, Calif. 90503

Primary Examiner—Ted Shooman
Assistant Examiner—Mitchell I. Siegel
Attorney, Agent, or Firm—Roger A. Marrs

[**] Term: **14 Years**

[57] **CLAIM**

[21] Appl. No.: **54,900**

The ornamental design for a flight simulator for home entertainment use, as shown and described.

[22] Filed: **May 24, 1996**

DESCRIPTION

[51] LOC (6) Cl. **21-03**

[52] U.S. Cl. **D21/250**

[58] Field of Search D21/240, 250;
D19/62, 63; 434/62, 63, 37

FIG. 1 is a front perspective view of a flight simulator for home entertainment showing my new design;
FIG. 2 is a rear perspective view as taken from the opposite side shown in FIG. 1;
FIG. 3 is a left side elevational view thereof;
FIG. 4 is a right side elevational view thereof;
FIG. 5 is a front elevational view thereof;
FIG. 6 is a rear elevational view thereof;
FIG. 7 is a top plan view thereof; and,
FIG. 8 is an enlarged rear perspective view thereof.

[56] References Cited

U.S. PATENT DOCUMENTS

D. 75,802	7/1928	Lusse et al.	D21/250
D. 153,925	5/1949	Dehmel	D19/63
2,602,244	7/1952	Schaeffer, Jr.	D19/63 X
3,479,750	11/1969	Swanson	434/62
3,611,589	10/1971	Wiltse	434/62

1 Claim, 3 Drawing Sheets

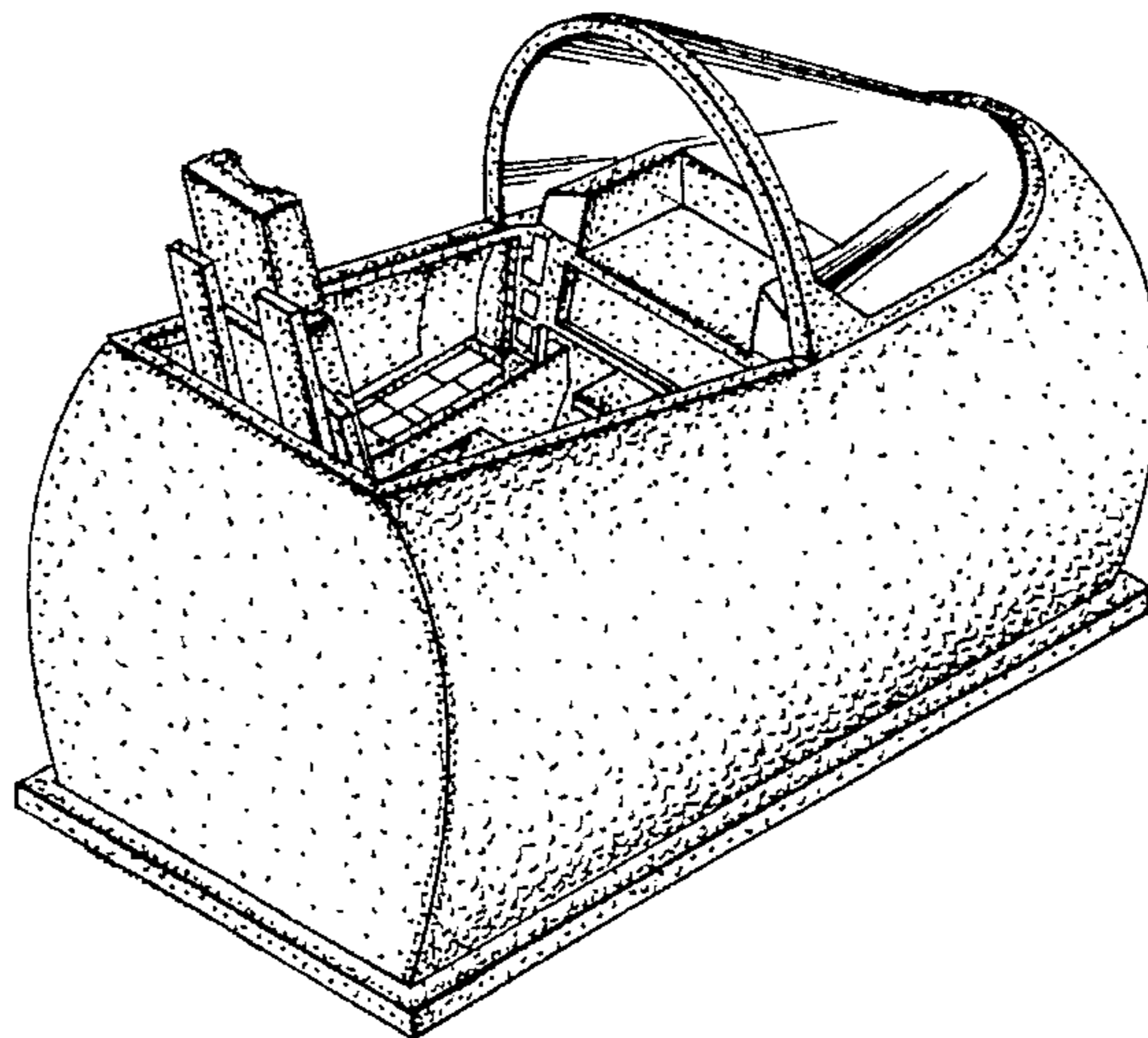
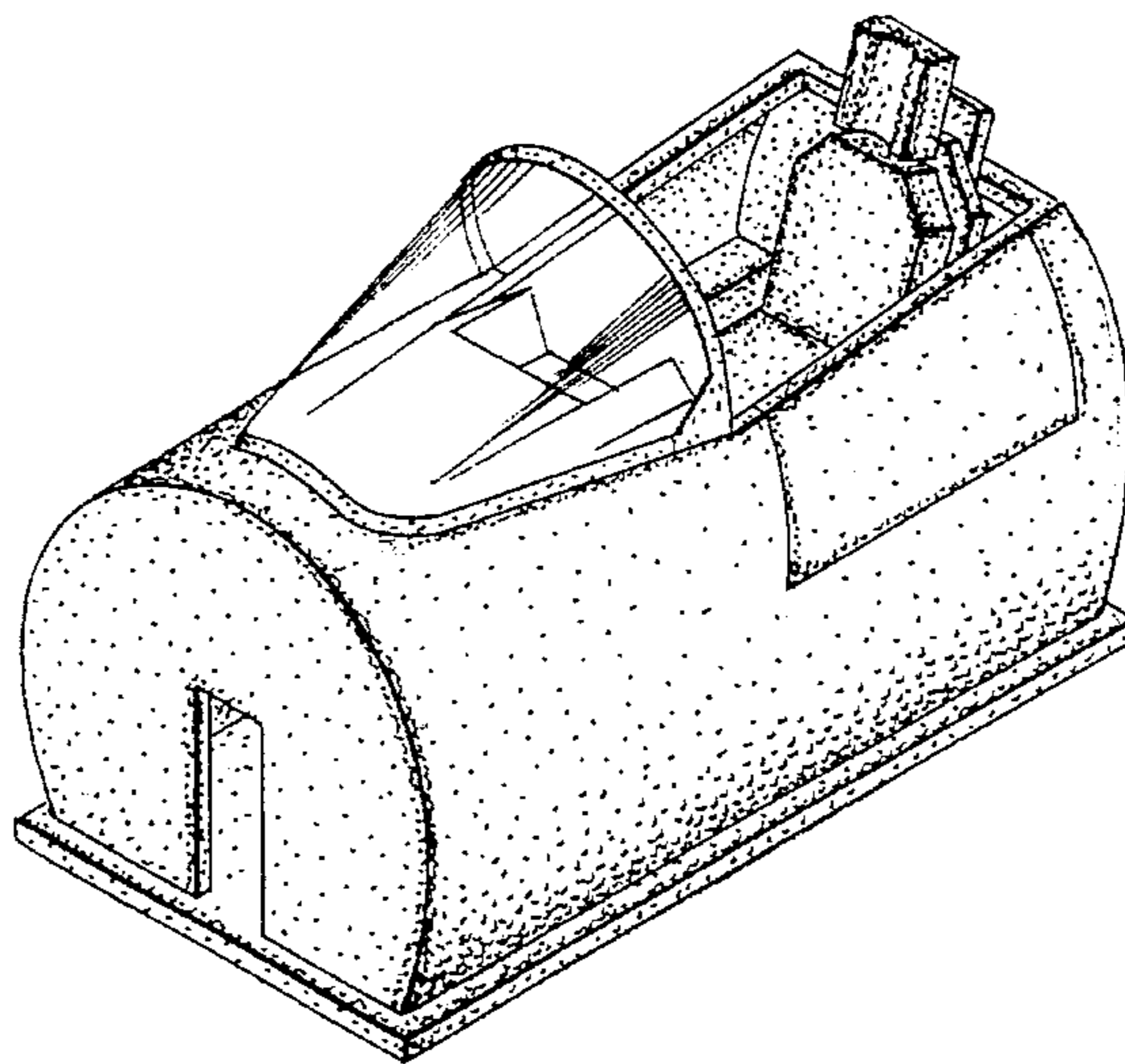


FIG. 1

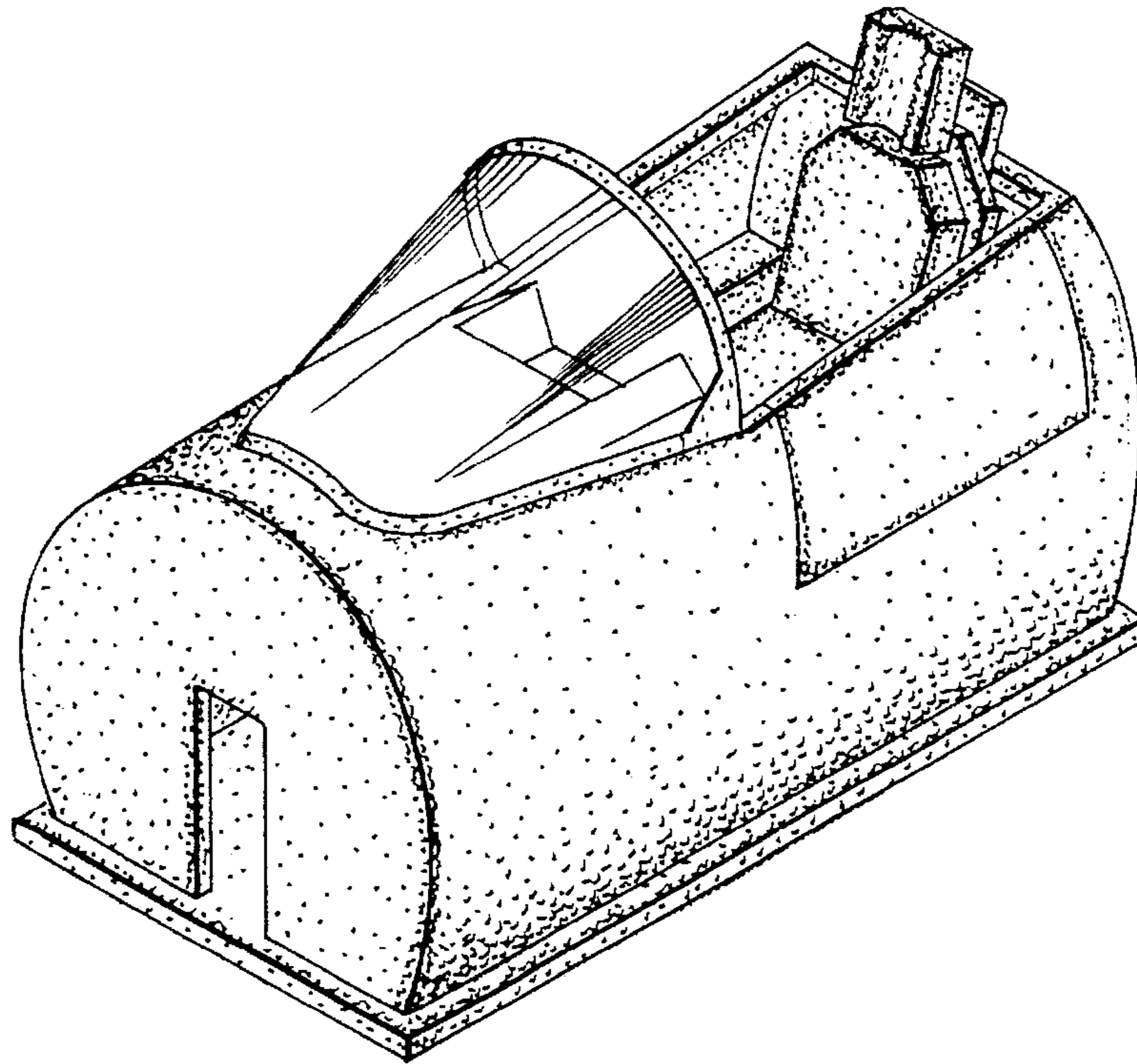


FIG. 2

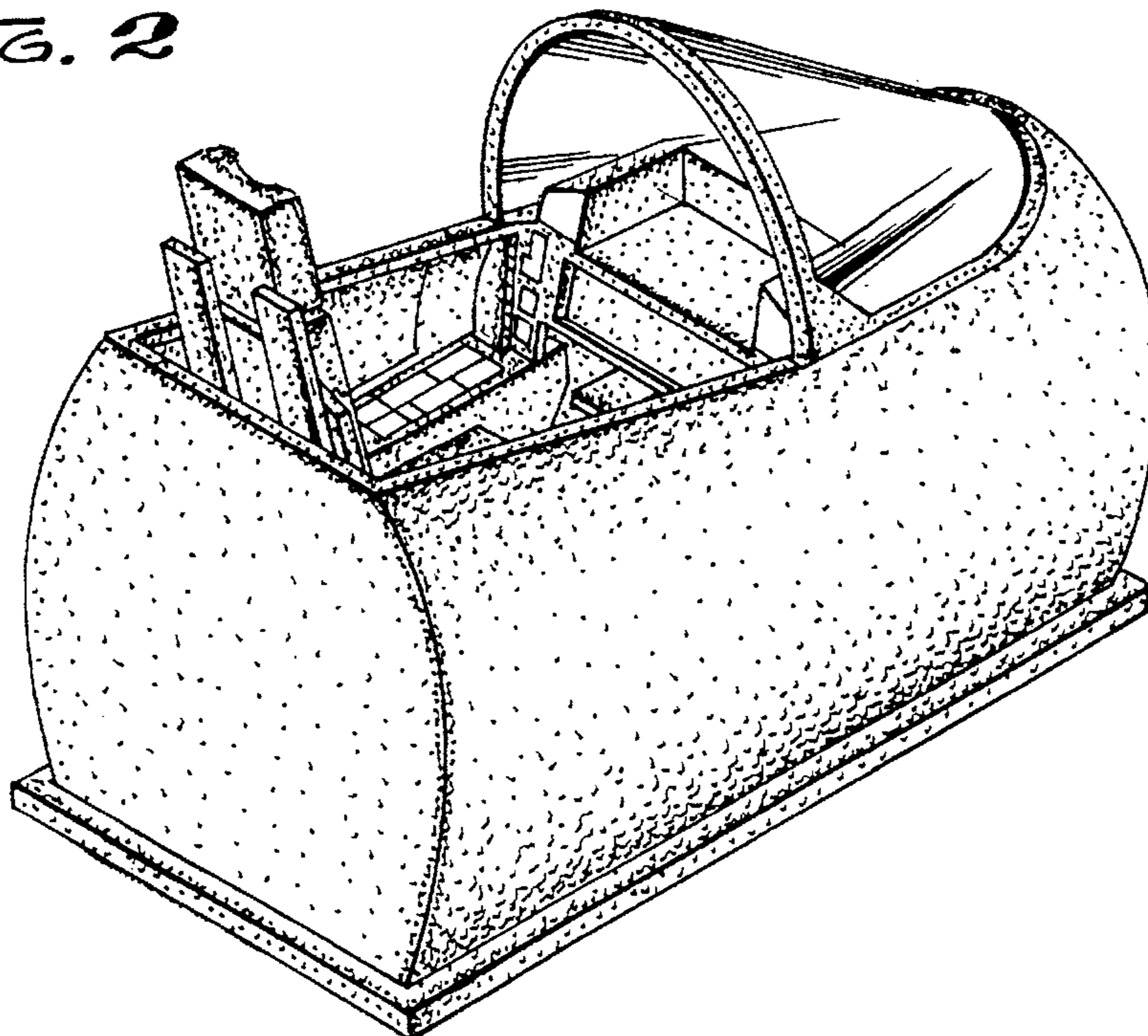


FIG. 3

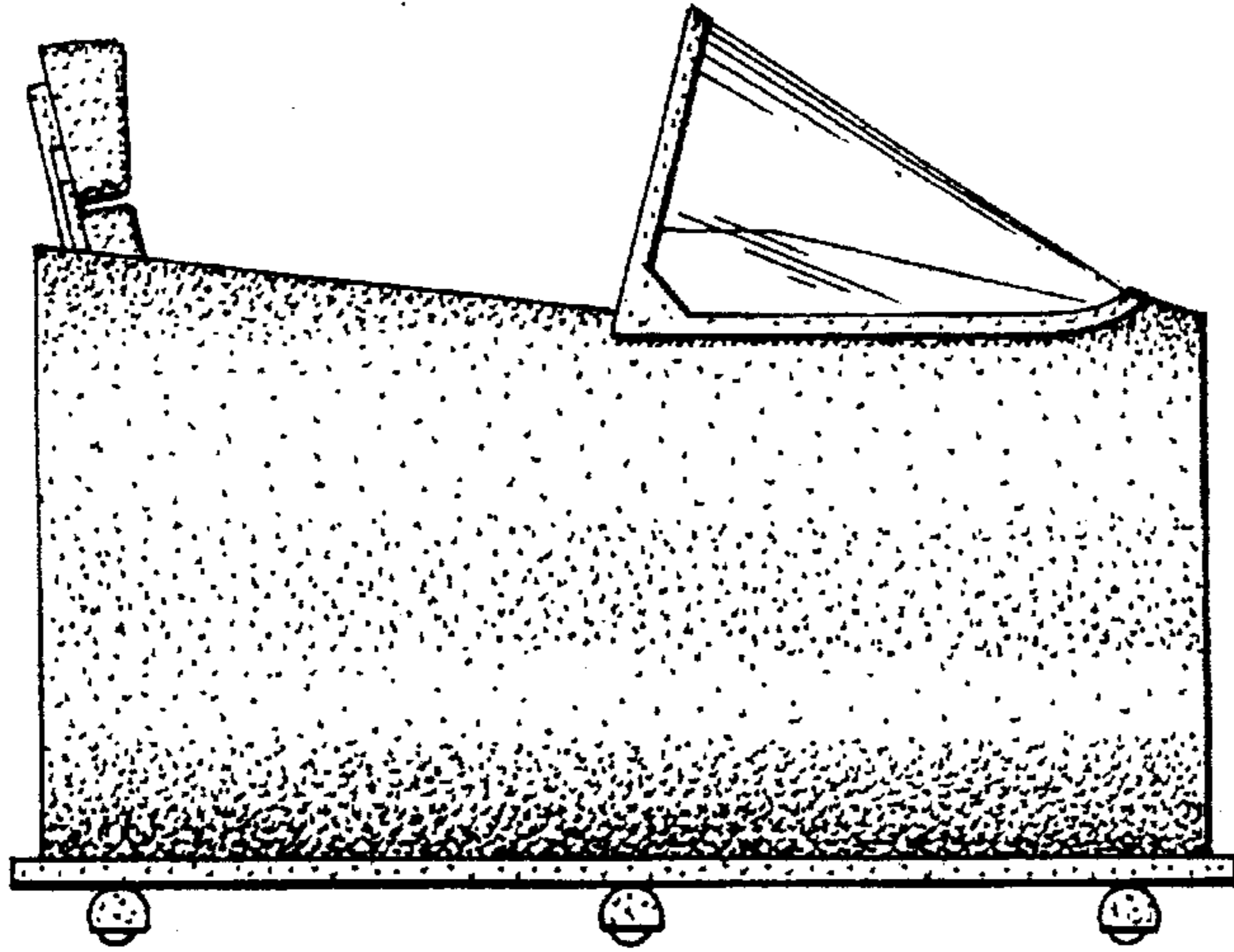


FIG. 5

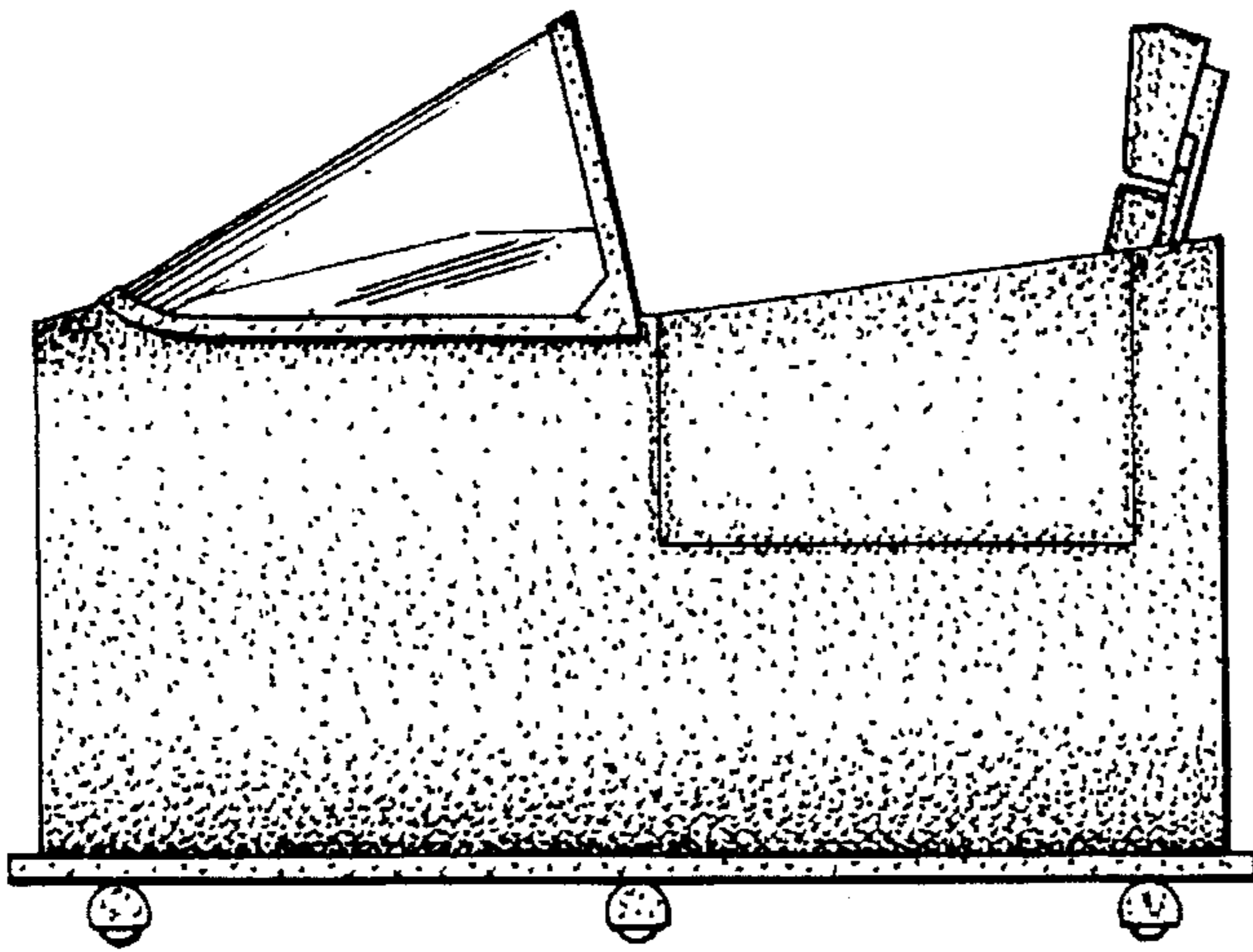
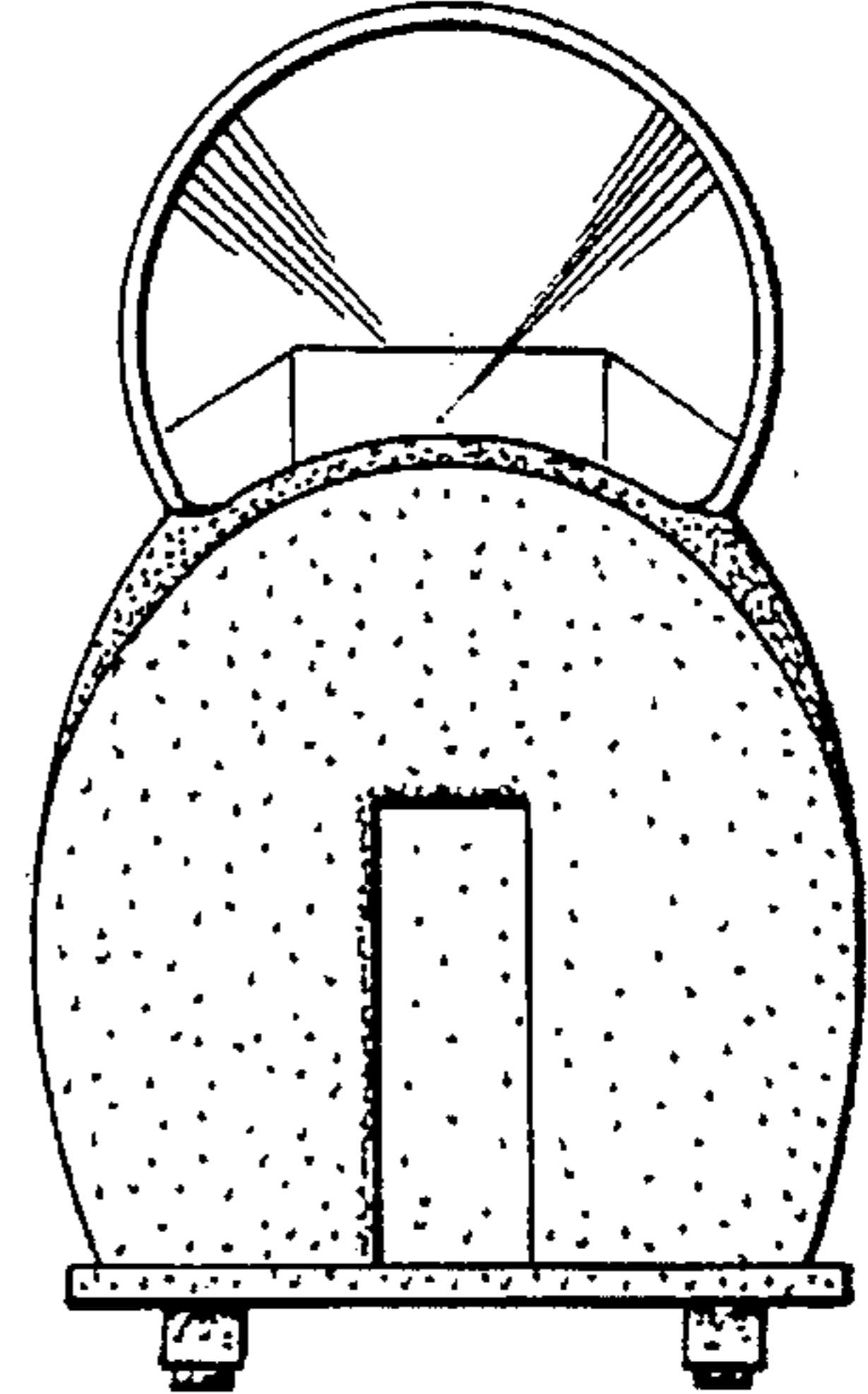


FIG. 4

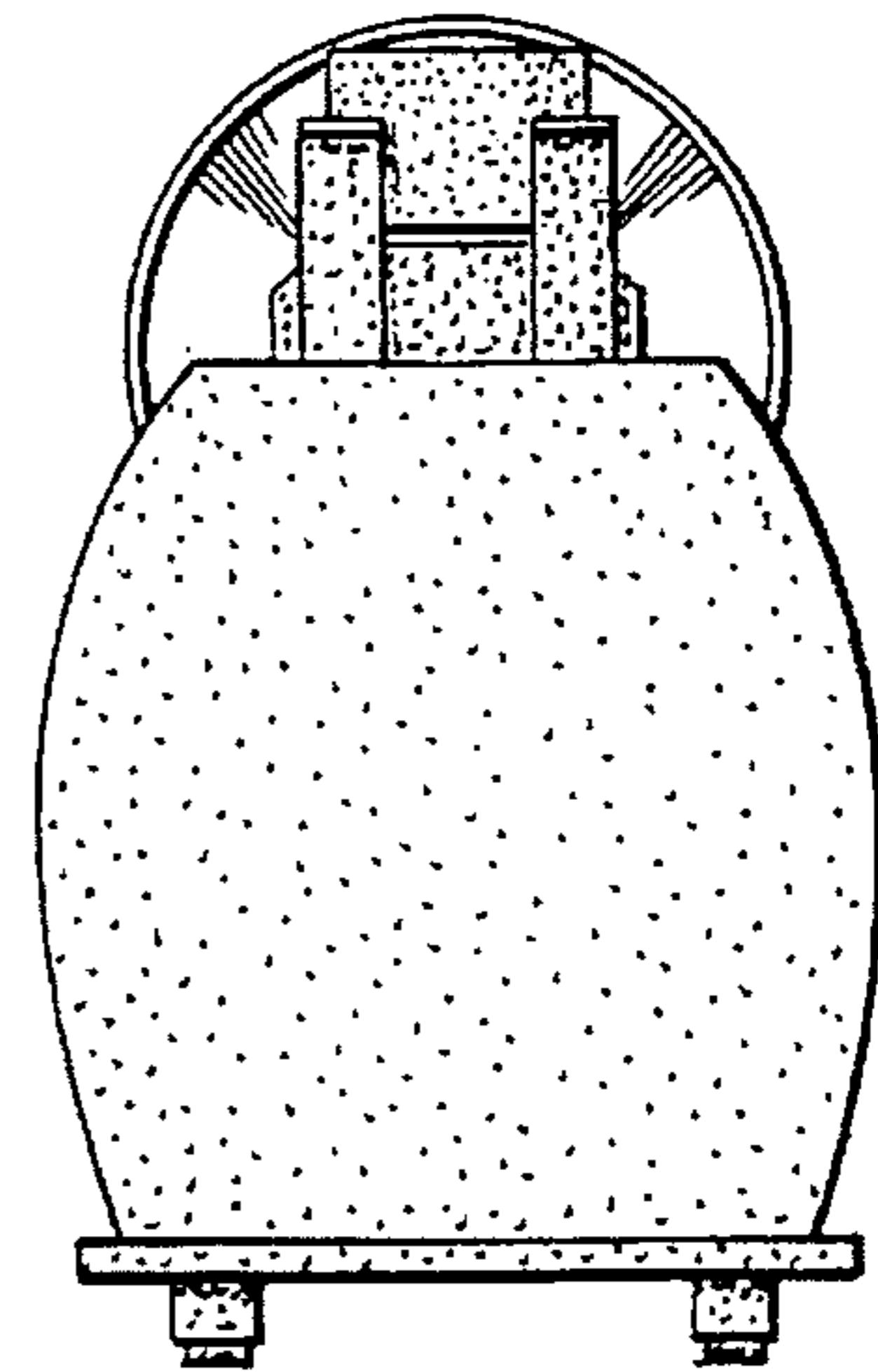


FIG. 6

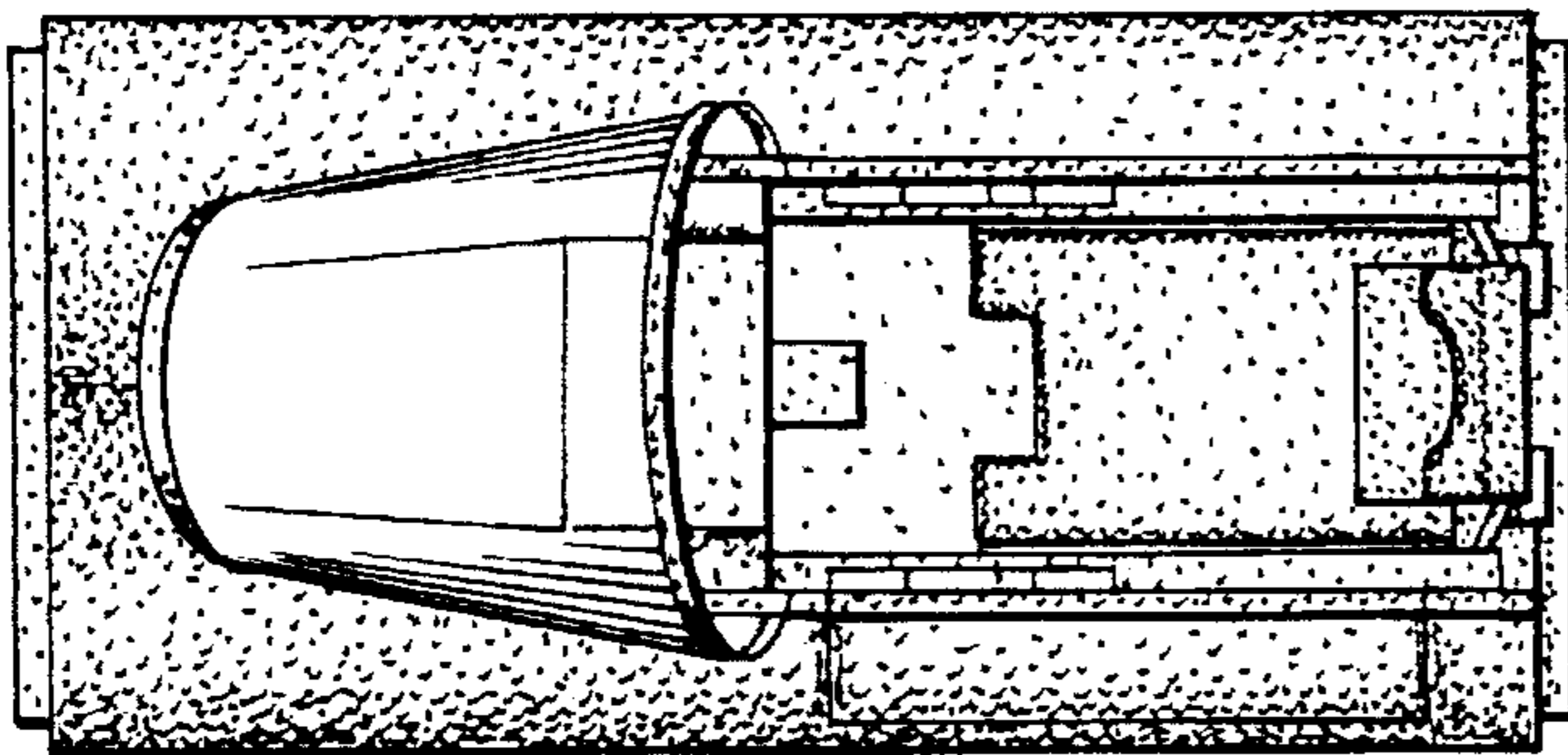


FIG. 7

