



US00D382617S

# United States Patent [19] Oak

[11] Patent Number: **Des. 382,617**

[45] Date of Patent: **\*\*Aug. 19, 1997**

[54] **RIDING TOY**

[76] Inventor: **Brent P. Oak**, Wallace Road, R.D. 1,  
Levin, New Zealand

[\*\*] Term: **14 Years**

[21] Appl. No.: **32,519**

[22] Filed: **Dec. 20, 1994**

[30] **Foreign Application Priority Data**

Jul. 1, 1994 [NZ] New Zealand ..... 26004

[51] **LOC (6) Cl.** ..... **21-02**

[52] **U.S. Cl.** ..... **D21/227**

[58] **Field of Search** ..... D21/71, 73, 78,  
D21/80, 81, 129, 134, 137, 224; 280/87.042,  
87.021, 87.01, 828

[56] **References Cited**

### U.S. PATENT DOCUMENTS

D. 210,087	2/1968	Higgins	.....	D21/71
D. 279,920	7/1985	Gardinier et al.	.....	D21/227
D. 332,977	2/1993	Huffman et al.	.....	D21/71
3,442,528	5/1969	Rademacher	.....	280/87.01
4,098,519	7/1978	Reid, Jr.	.....	280/87.01
4,134,599	1/1979	DiMille	.....	280/87.01

4,930,796	6/1990	Harrod	.....	280/87.021
4,941,670	7/1990	Parr	.....	D21/71
5,354,081	10/1994	Huffman et al.	.....	280/87.01

### OTHER PUBLICATIONS

Design News Jul. 1971 p. 205 Riding toy on right side of page.

*Primary Examiner*—Raphael Barkai  
*Attorney, Agent, or Firm*—Young & Thompson

[57] **CLAIM**

The ornamental design for a riding toy, as shown.

### DESCRIPTION

FIG. 1 is a top, front and side perspective view of a riding toy showing my new design;

FIG. 2 is a side elevational view thereof from the side visible in FIG. 1;

FIG. 3 is a side elevational view thereof from the side opposite that shown in FIG. 2;

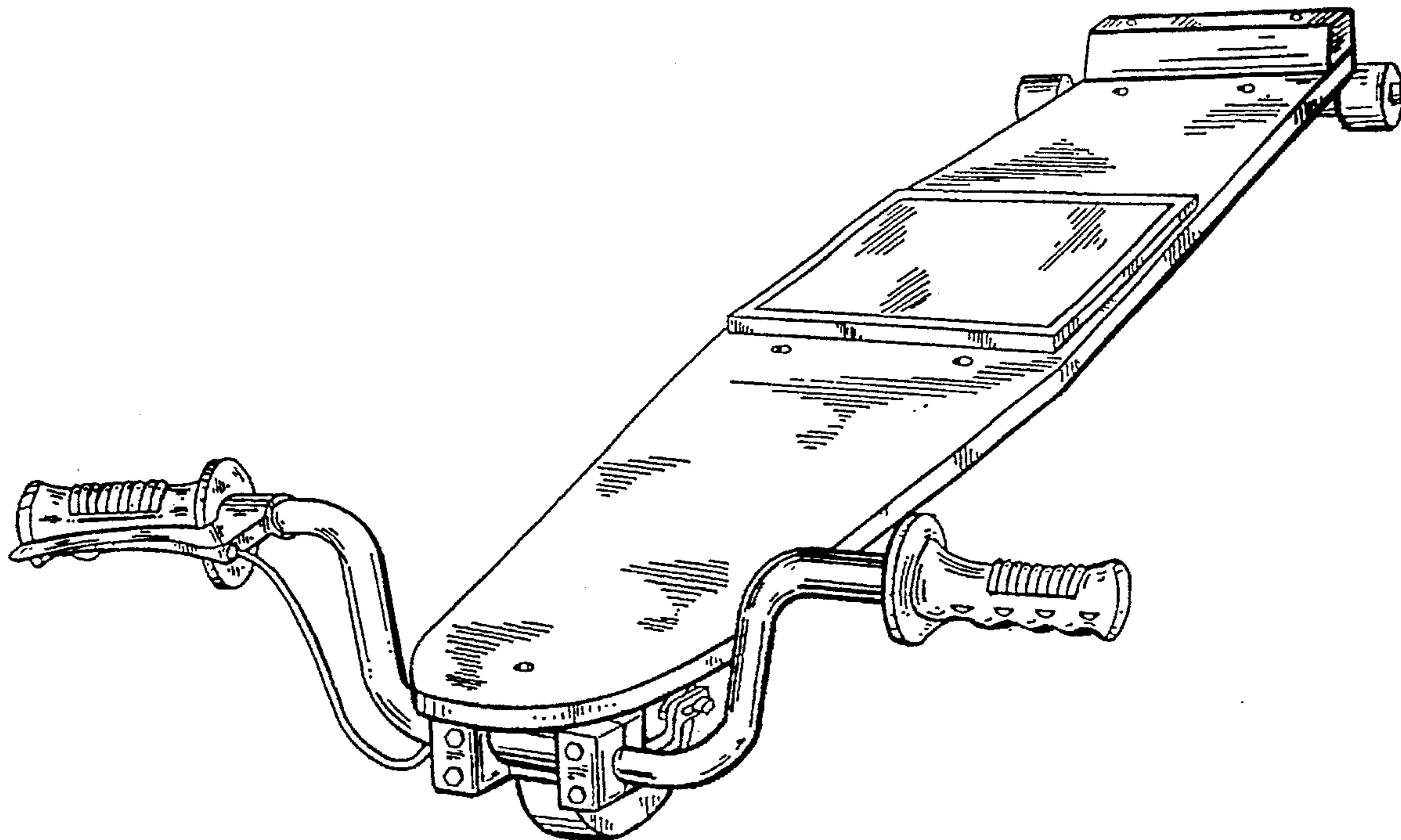
FIG. 4 is a bottom plan view thereof;

FIG. 5 is a top plan view thereof;

FIG. 6 is a front elevational view thereof; and,

FIG. 7 is a rear elevational view thereof.

**1 Claim, 5 Drawing Sheets**



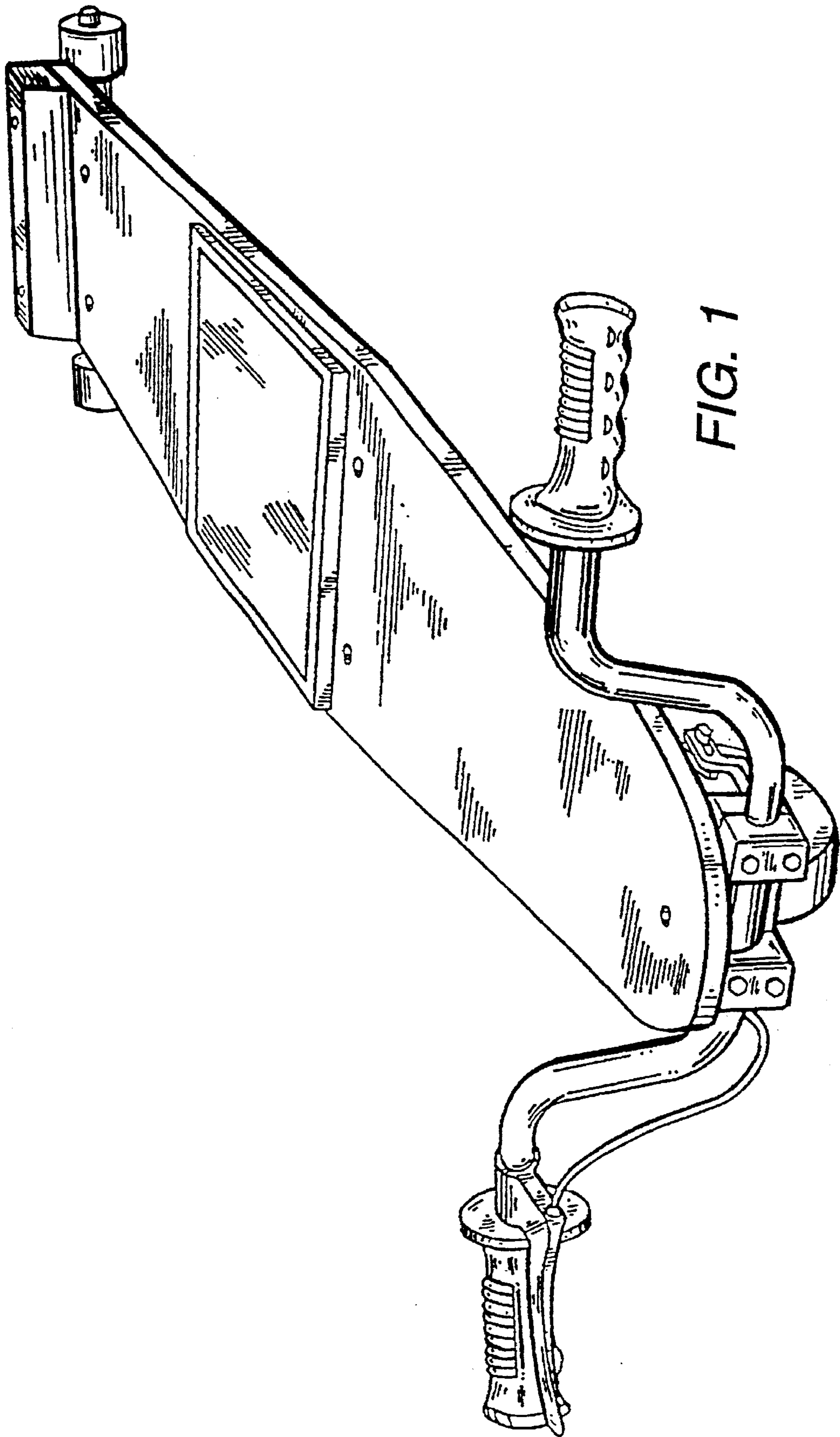
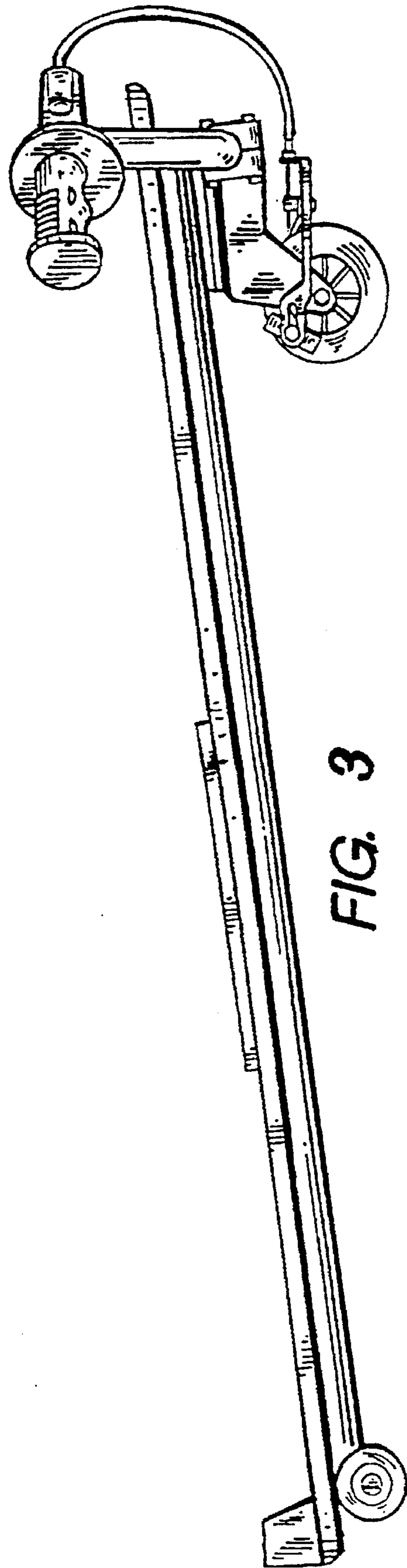
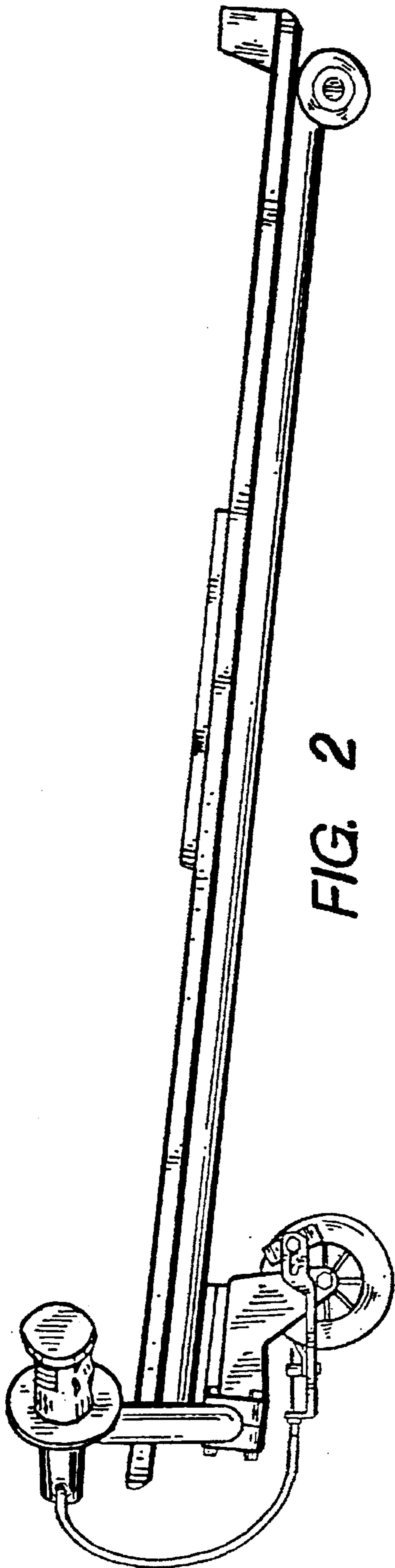


FIG. 1



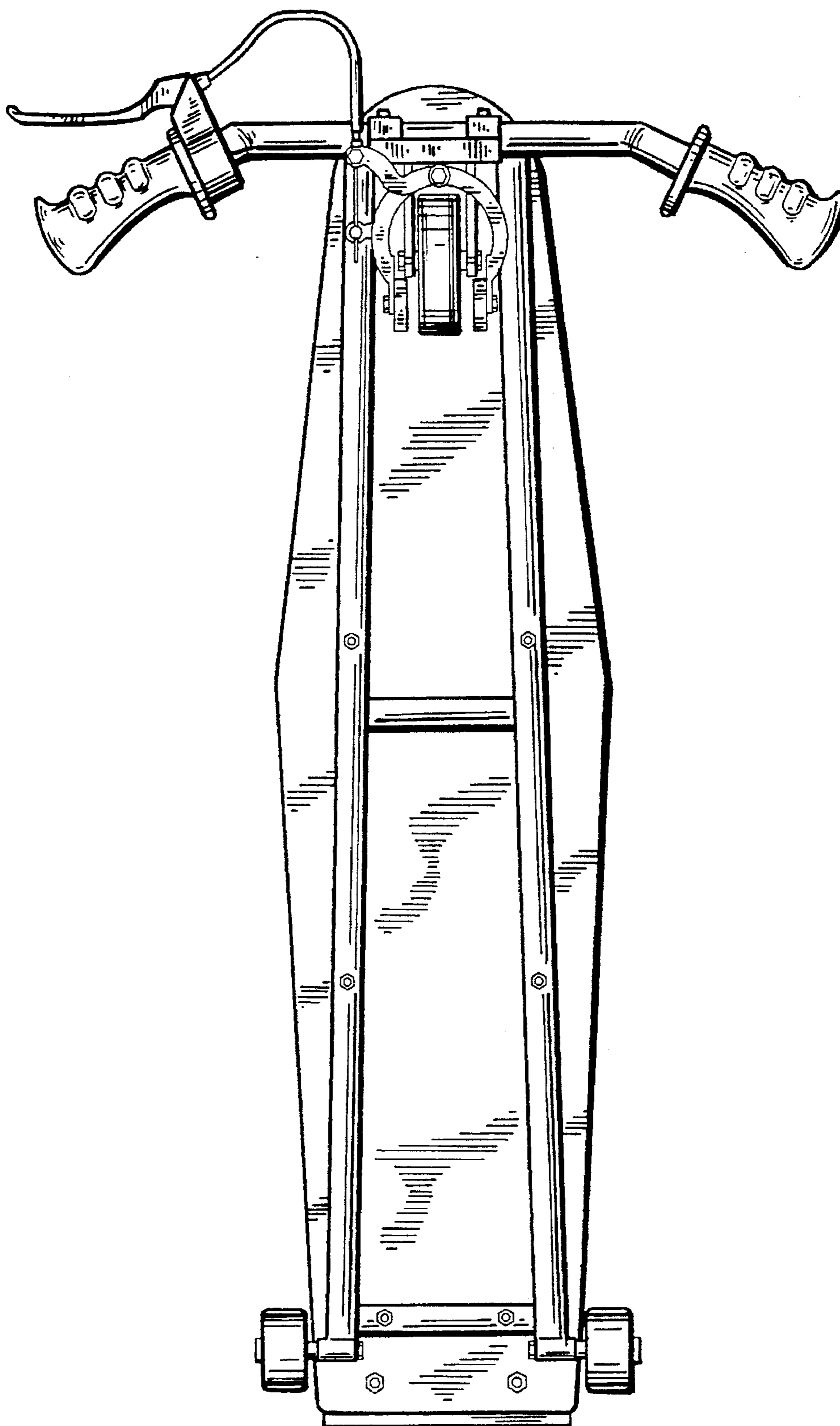


FIG. 4

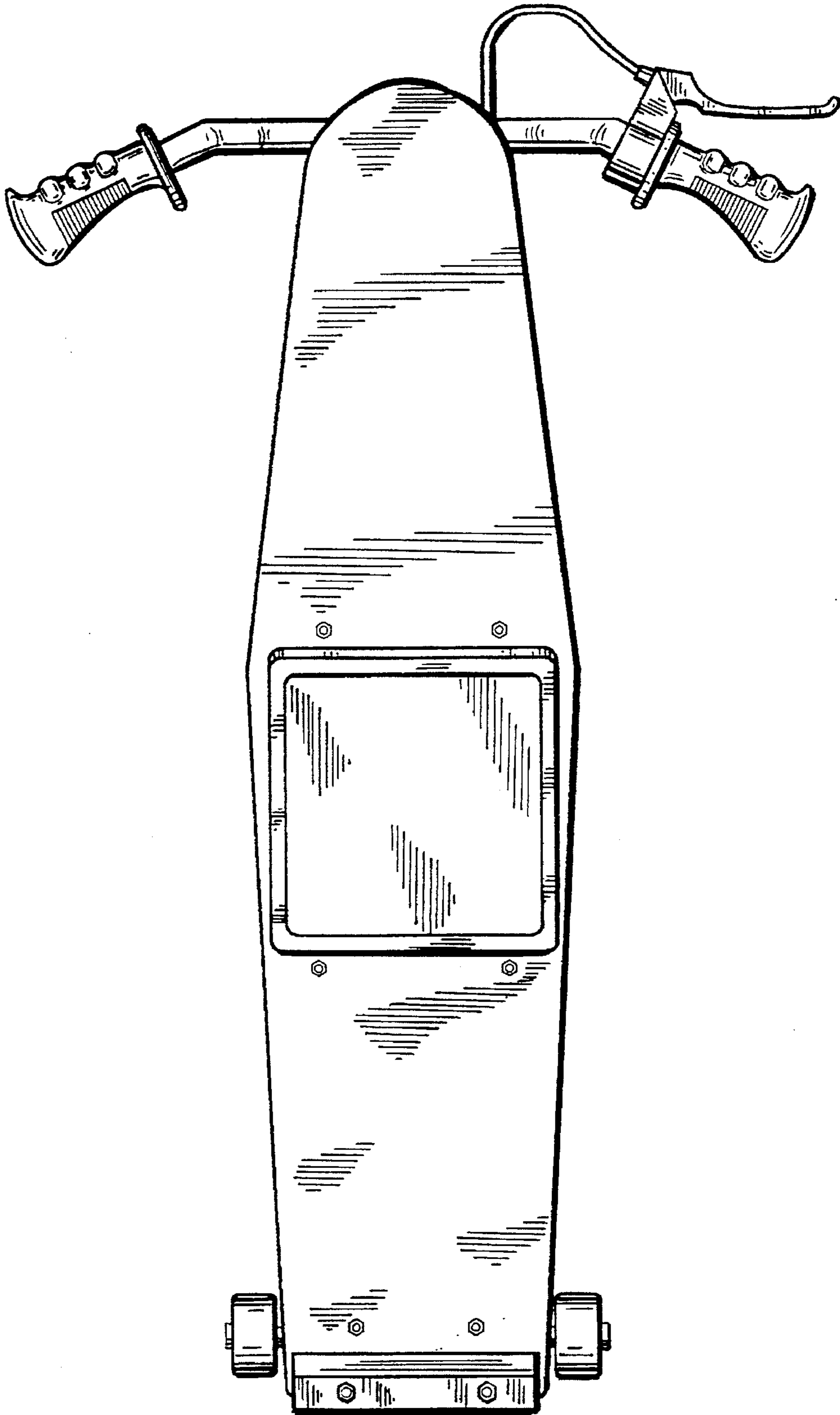
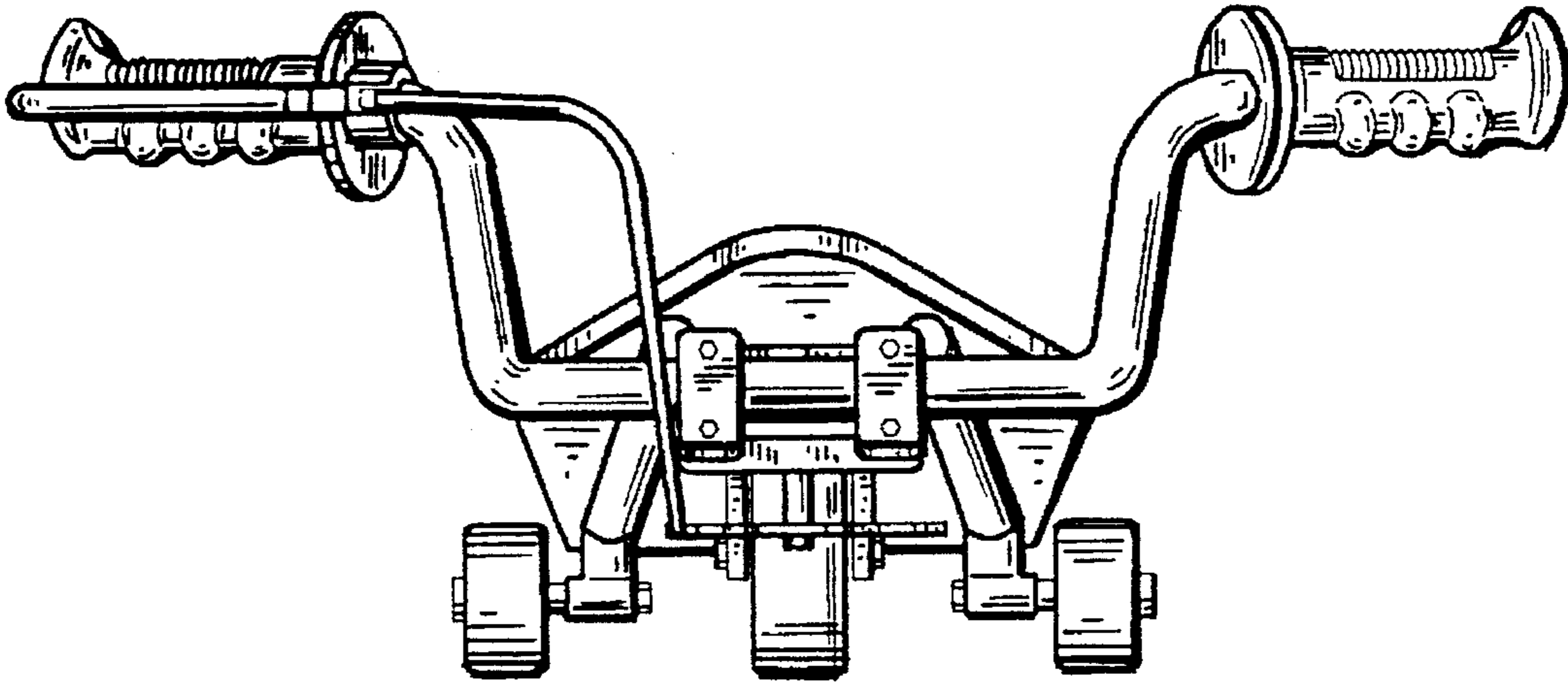
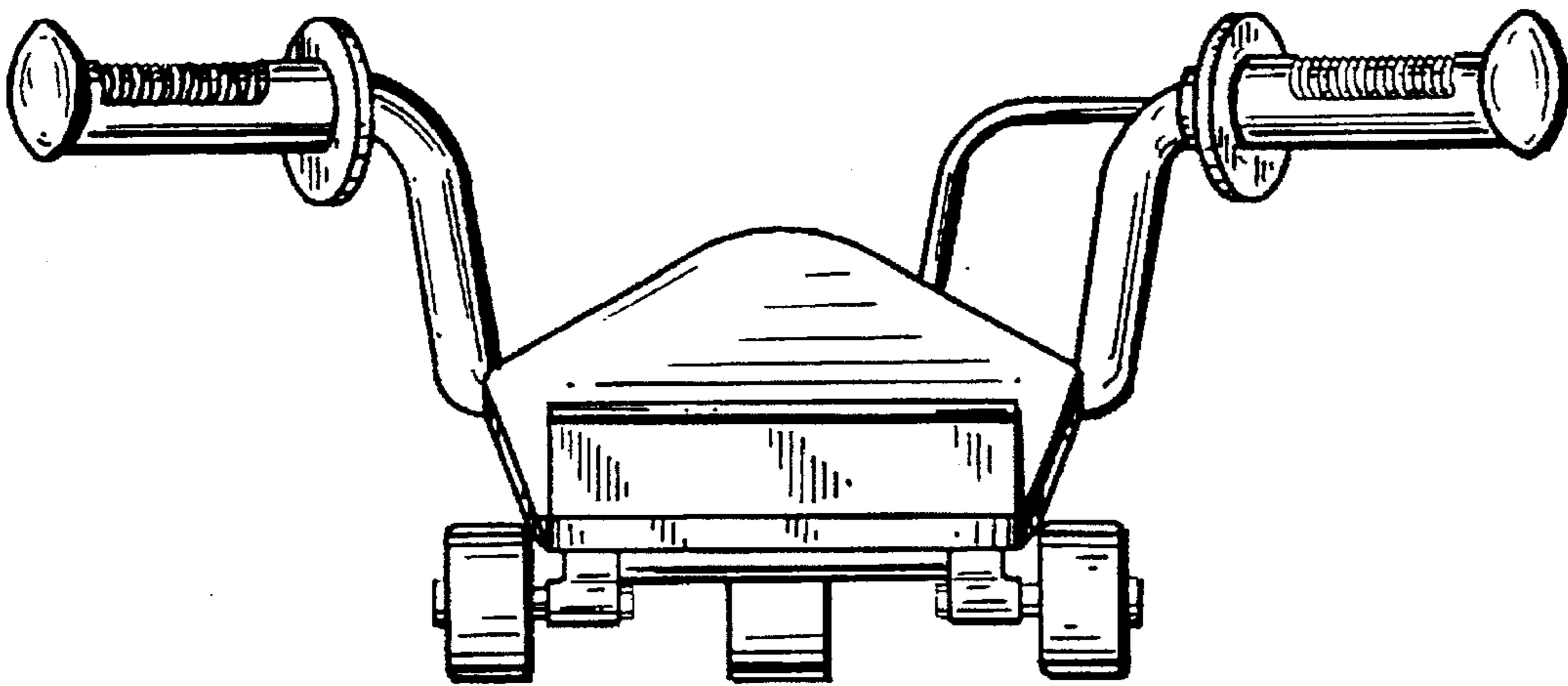


FIG. 5



*FIG. 6*



*FIG. 7*