



US00D382614S

# United States Patent [19]

[11] Patent Number: Des. 382,614

Powell et al.

[45] Date of Patent: \*\*Aug. 19, 1997

## [54] GOLF PUTTER HEAD

## OTHER PUBLICATIONS

[76] Inventors: **Clarence E. Powell**, 21824 SE. 28th St., Issaquah, Wash. 98027; **Richard M. Acton**, 10722 NE. 60th St., Kirkland, Wash. 98033

Golf Digest; p. 161; Ding Dong putter, upper left of page Feb. 1972.

Golf Digest; p. 116; Rabbit putter, middle left of page Oct. 1977.

[\*\*] Term: **14 Years**

*Primary Examiner*—Sandra L. Morris  
*Assistant Examiner*—Mitchell I. Siegel  
*Attorney, Agent, or Firm*—Patrick M. Dwyer

[21] Appl. No.: **39,982**

[22] Filed: **Jun. 7, 1995**

## [57] CLAIM

[51] LOC (6) Cl. .... **21-02**

The ornamental design for a golf putter head, as shown.

[52] U.S. Cl. .... **D21/218**

## DESCRIPTION

[58] Field of Search ..... D21/217-219;  
473/251-256, 340, 341

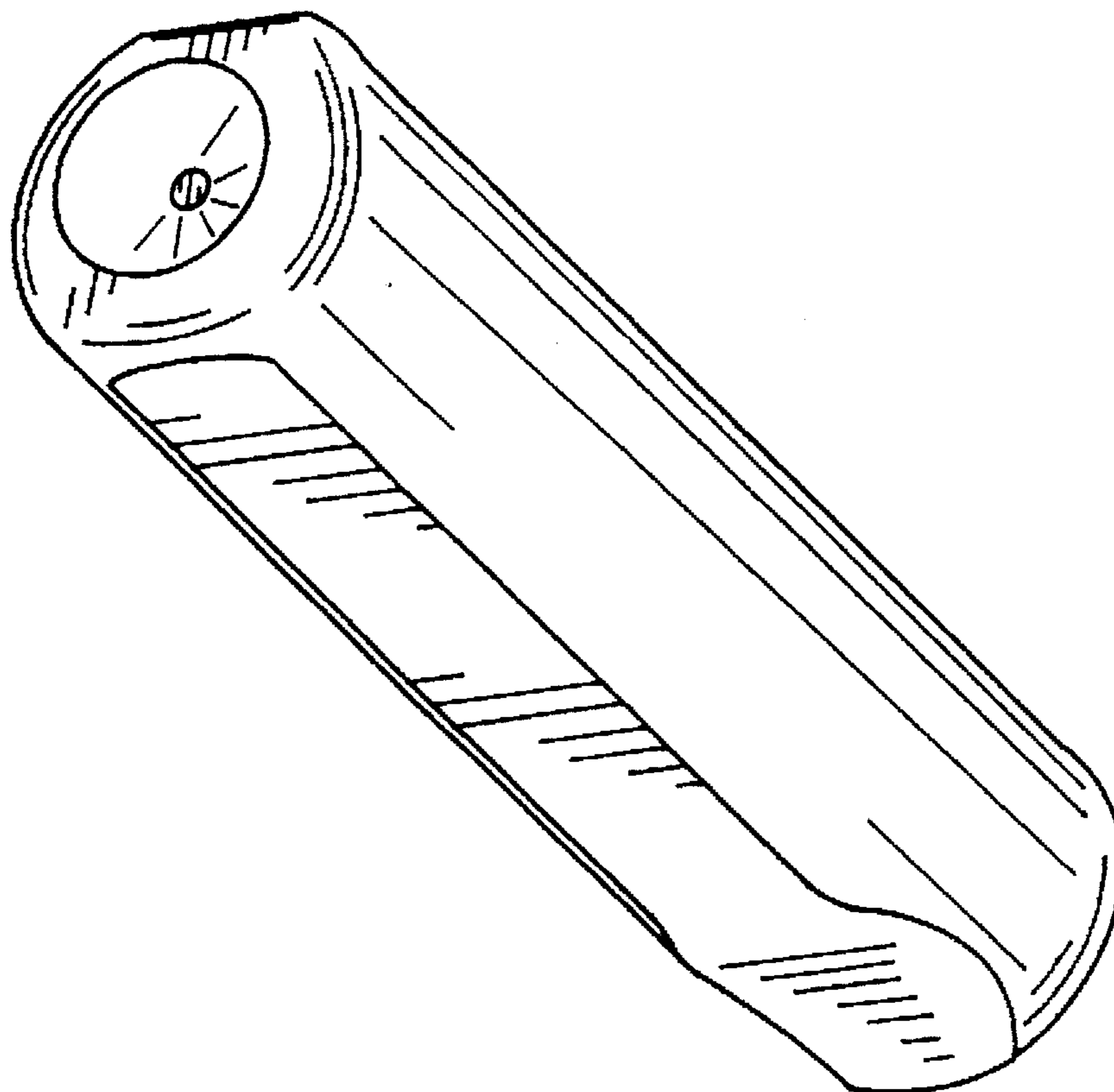
FIG. 1 is a front perspective view of the golf putter head; FIG. 2 is a bottom view of the golf putter head; FIG. 3 is a top view of the golf putter head; FIG. 4 is a side view of the golf putter head as seen from the right hand side; FIG. 5 is a rear view of the golf putter head; and, FIG. 6 is a front view of the golf putter head.

## [56] References Cited

### U.S. PATENT DOCUMENTS

D. 276,452	11/1984	Doman	.....	D21/218
D. 316,130	4/1991	Urban	.....	D21/218
D. 335,693	5/1993	Siegel	.....	D21/218
D. 368,292	3/1996	Willoughby	.....	D21/218

**1 Claim, 2 Drawing Sheets**



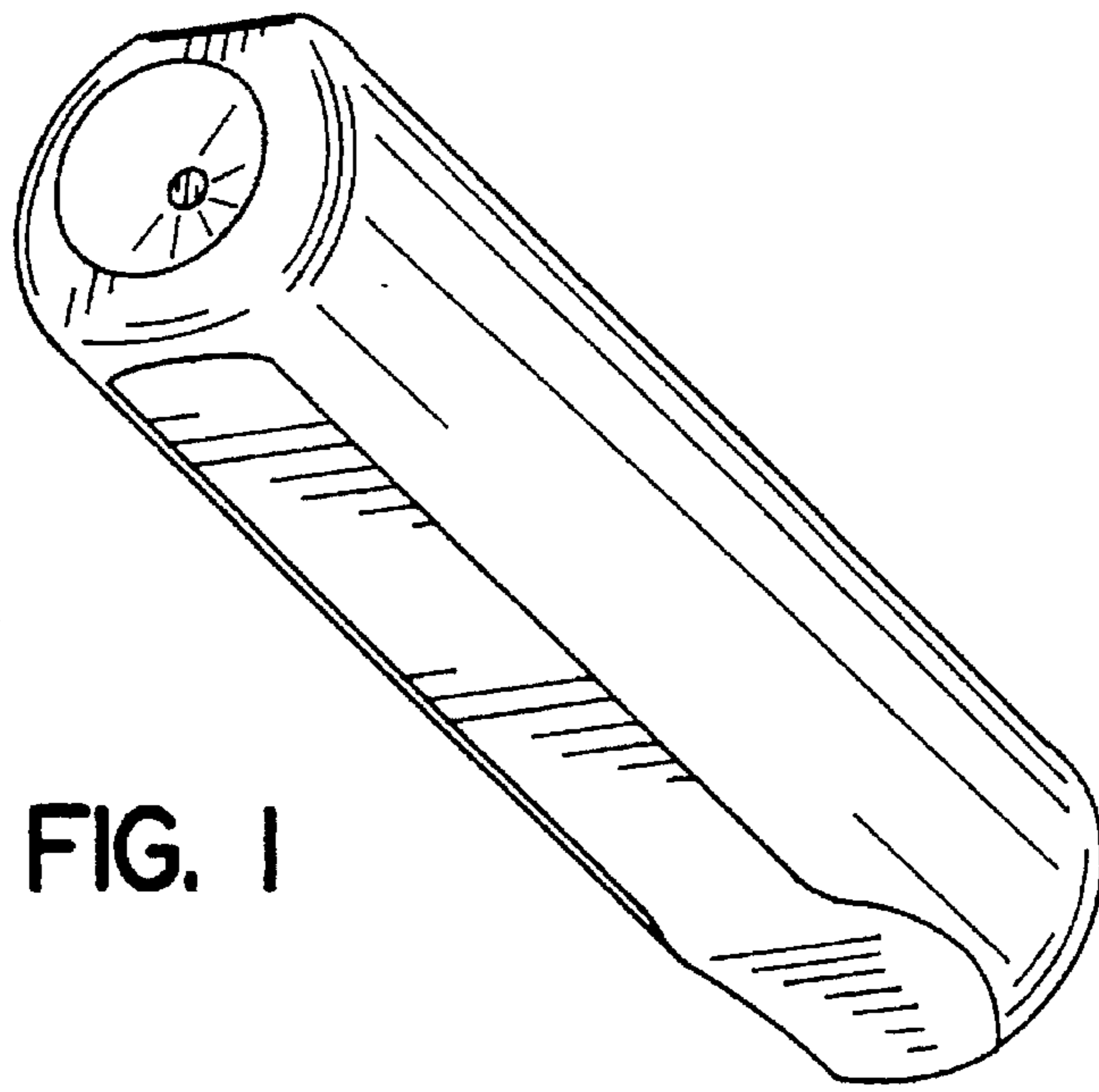


FIG. 1

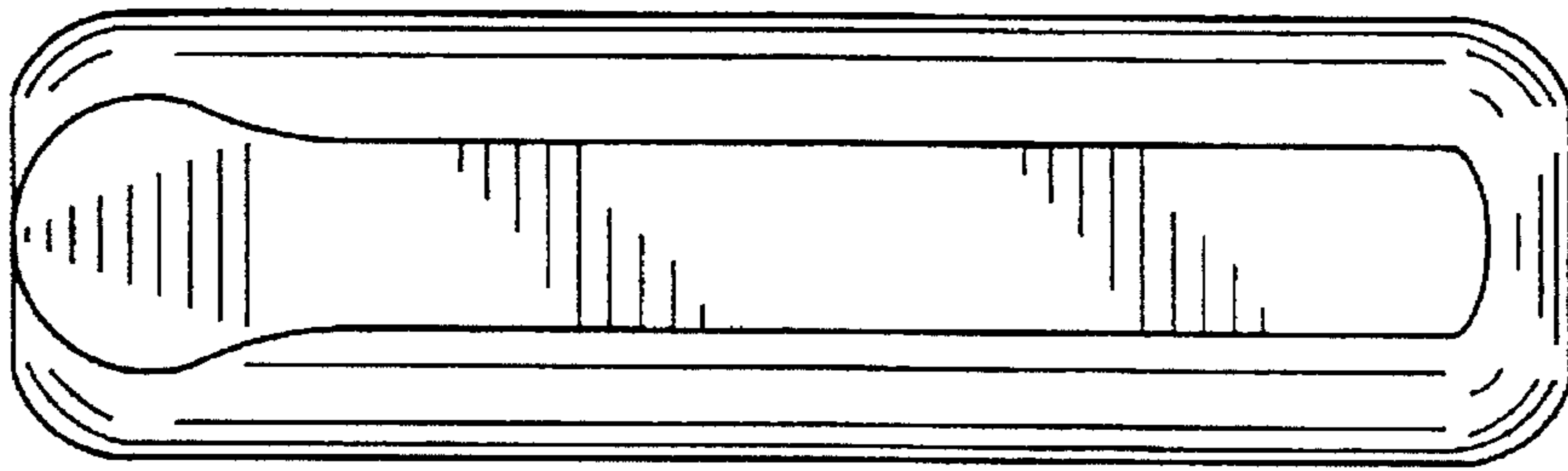


FIG. 2

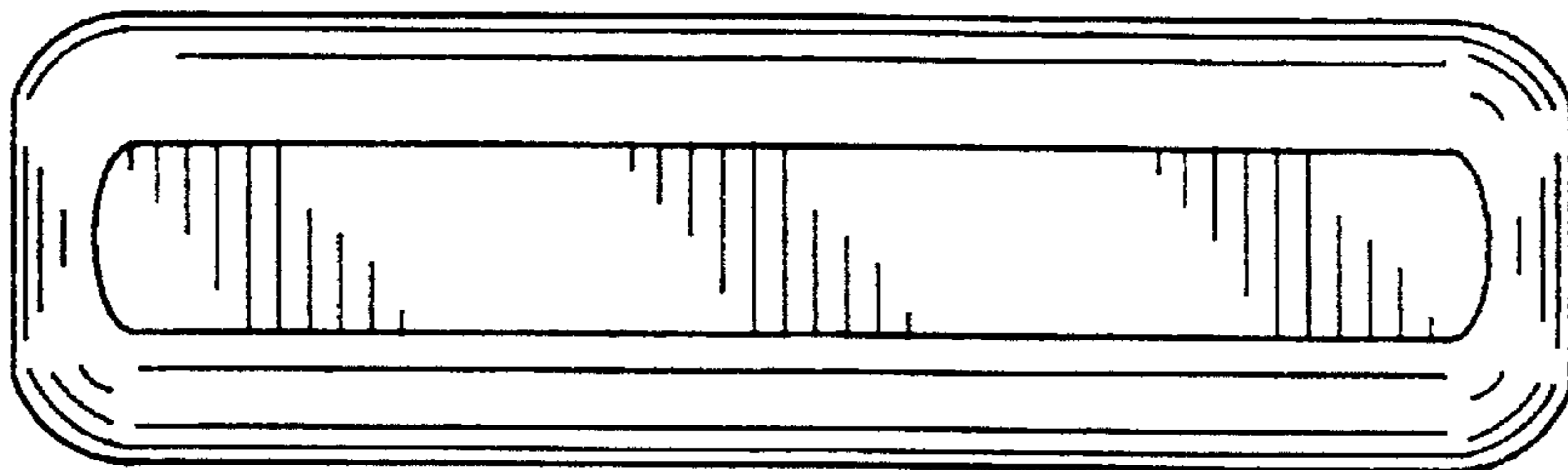


FIG. 3

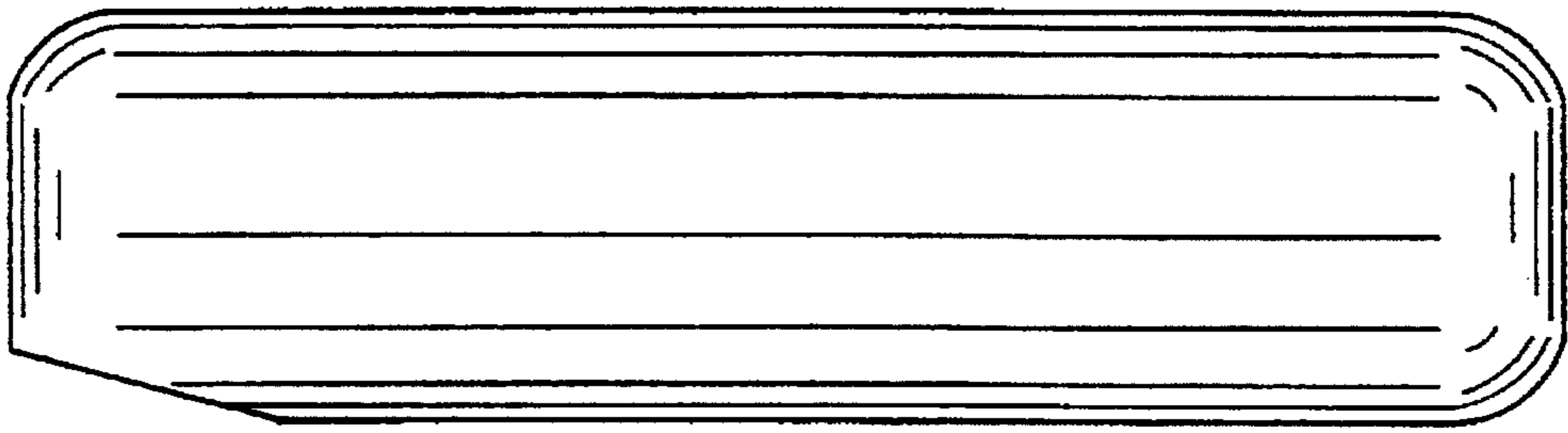


FIG. 4

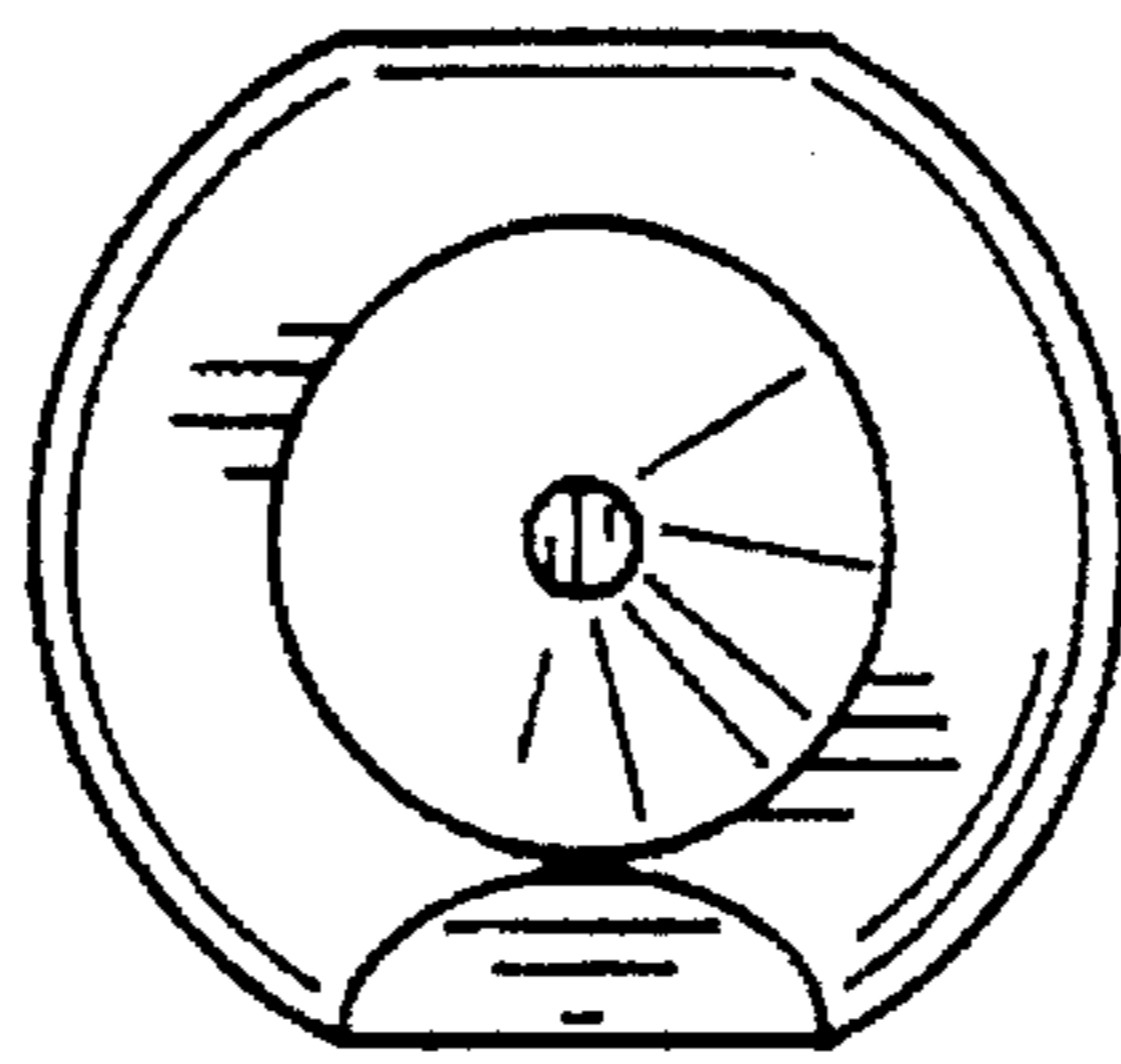


FIG. 5

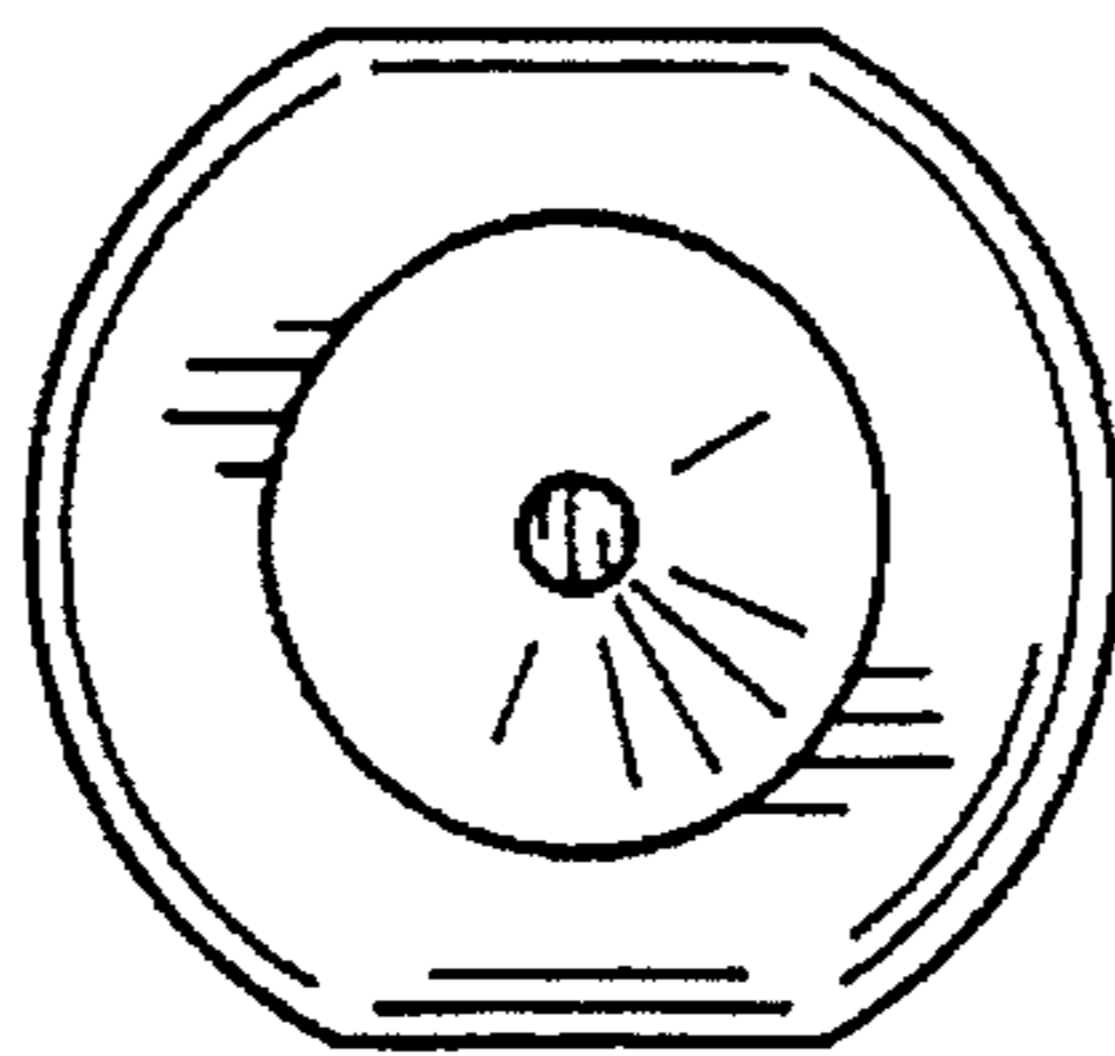


FIG. 6