



US00D382603S

United States Patent [19]
Goto

[11] Patent Number: Des. 382,603

[45] Date of Patent: **Aug. 19, 1997

[54] CONTROLLER FOR COMPUTER GAME

[75] Inventor: Teiyu Goto, Tokyo, Japan

[73] Assignee: Sony Corporation, Tokyo, Japan

[**] Term: 14 Years

[21] Appl. No.: 42,706

[22] Filed: Jun. 16, 1995

- D. 356,606 3/1995 Feng .
- D. 357,286 4/1995 Feng .
- D. 360,436 7/1995 Chan .
- D. 360,903 8/1995 Barr et al. .
- D. 362,277 9/1995 Chan .
- D. 363,321 10/1995 Hsien .
- D. 368,285 3/1996 Couch et al. .
- D. 368,936 4/1996 Goto .
- 4,870,389 9/1989 Ishiwata et al. 273/148 B X
- 5,184,830 2/1993 Okada et al. 463/46
- 5,207,426 5/1993 Inoue et al. .
- 5,498,843 3/1996 Date et al. .

Related U.S. Application Data

[63] Continuation-in-part of Ser. No. 30,017, Oct. 3, 1994, abandoned.

[30] Foreign Application Priority Data

Apr. 11, 1994	[JP]	Japan	6-9793
Dec. 16, 1994	[JP]	Japan	6-38241
Dec. 16, 1994	[JP]	Japan	6-38242
Dec. 16, 1994	[JP]	Japan	6-38243
Dec. 16, 1994	[JP]	Japan	6-38244
Dec. 16, 1994	[JP]	Japan	6-38245
Dec. 16, 1994	[JP]	Japan	6-38246
Dec. 16, 1994	[JP]	Japan	6-38247
Dec. 16, 1994	[JP]	Japan	6-38248
Dec. 16, 1994	[JP]	Japan	6-38249
Dec. 16, 1994	[JP]	Japan	6-38250

[51] LOC (6) Cl. 21-01

[52] U.S. Cl. D21/48

[58] Field of Search D21/1, 13, 48;
273/148 B; 463/30-35, 46, 47, 37, 38;
D14/114, 126

[56] References Cited

U.S. PATENT DOCUMENTS

D. 317,021	5/1991	Shulman et al.	D21/48
D. 325,225	4/1992	Adhida .	
D. 342,550	12/1993	Lin .	
D. 345,164	3/1994	Grae .	
D. 345,994	4/1994	Shian	D21/48
D. 349,527	8/1994	Date .	
D. 352,970	11/1994	Ho .	
D. 353,410	12/1994	Chan	D21/48
D. 354,993	1/1995	Morrison et al.	D21/48 X
D. 355,450	2/1995	Ho .	

OTHER PUBLICATIONS

- HongKong Enterprise, Oct. 1992, p. 269.
- HongKong Enterprise, Oct. 1992, p. 363.
- Playthings, Sep. 1988, p. 49.

Primary Examiner—Prabhakar G. Deshmukh
Attorney, Agent, or Firm—Foley & Lardner

[57] CLAIM

The ornamental design for a controller for computer game, as shown and described.

DESCRIPTION

FIG. 1 is perspective view of a controller for computer game showing my new design;
 FIG. 2 is a bottom plan view thereof;
 FIG. 3 is a top plan view thereof;
 FIG. 4 is a front elevational view thereof;
 FIG. 5 is a rear elevational view thereof;
 FIG. 6 is a left side elevational view thereof;
 FIG. 7 is a right side elevational view thereof;
 FIG. 8 is a perspective view of a second embodiment of FIG. 1;
 FIG. 9 is a front elevational thereof;
 FIG. 10 is a bottom plan view thereof;
 FIG. 11 is a top plan view thereof;
 FIG. 12 is a perspective view of a third embodiment of FIG. 1;
 FIG. 13 is a top plan view thereof;
 FIG. 14 is a left side elevational view thereof;
 FIG. 15 is a front elevational view thereof;
 FIG. 16 is a right elevational view thereof;
 FIG. 17 is a rear elevational view thereof;
 FIG. 18 is a bottom plan view thereof;

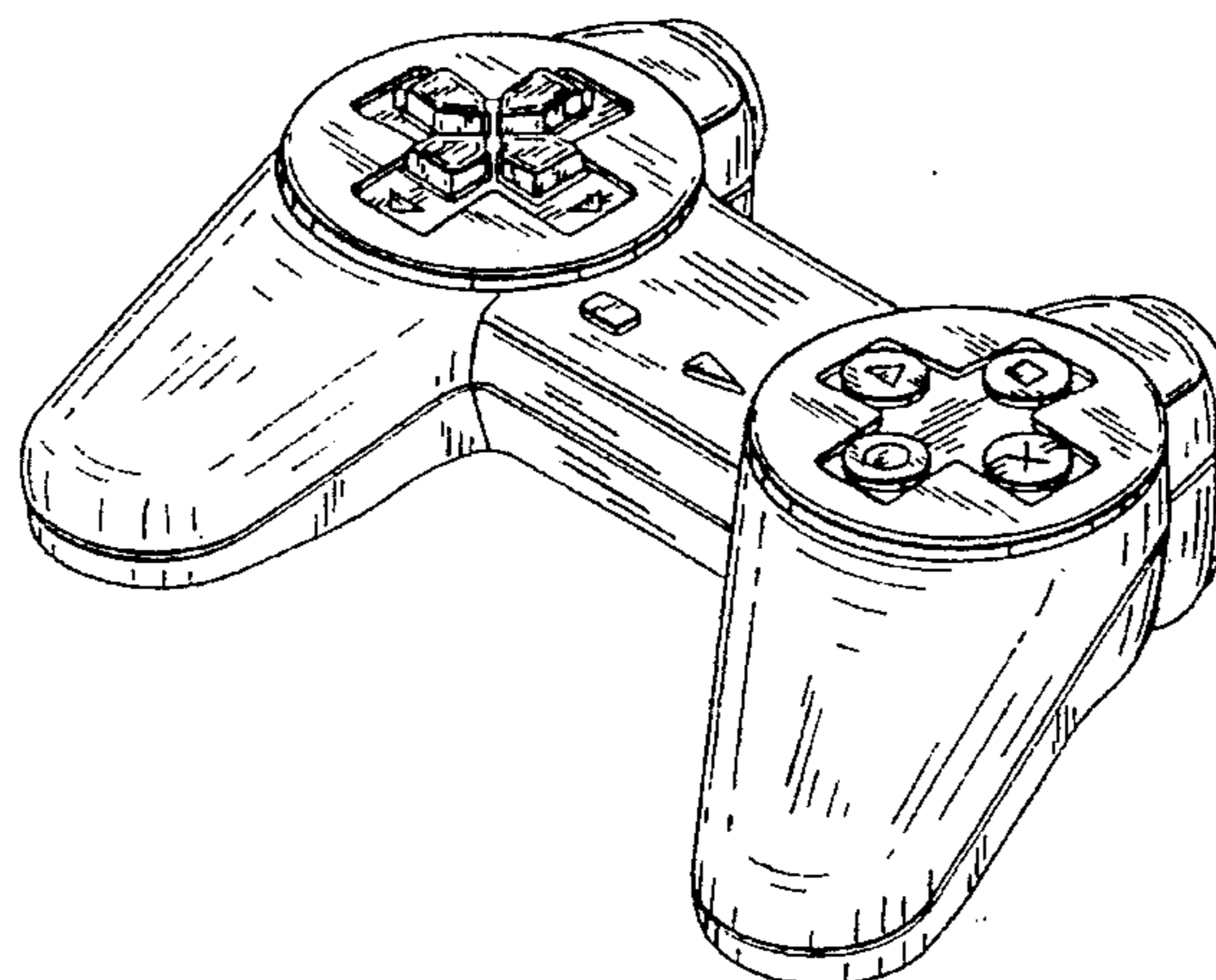


FIG. 19 is a left side elevational view of fourth embodiment of FIG. 1;

FIG. 20 is right side elevational view thereof;

FIG. 21 is a perspective view thereof;

FIG. 22 is a perspective view thereof; shown in turning up condition;

FIG. 23 is a top plan view thereof;

FIG. 24 is a front elevational view thereof;

FIG. 25 is a rear elevational view thereof;

FIG. 26 is a bottom plan view thereof;

FIG. 27 is a perspective view of a fifth embodiment of FIG. 1;

FIG. 28 is a top plan view thereof;

FIG. 29 is left side elevational view thereof;

FIG. 30 is a front elevational view thereof;

FIG. 31 is a right side elevational view thereof;

FIG. 32 is a rear elevational view thereof;

FIG. 33 is a bottom plan view thereof;

FIG. 34 is a perspective view of a sixth embodiment of FIG. 1;

FIG. 35 is a top plan view thereof;

FIG. 36 is a left side elevational view thereof;

FIG. 37 is a front elevational view thereof;

FIG. 38 is a right side elevational view thereof; and,

FIG. 39 is a rear elevational view thereof.

1 Claim, 13 Drawing Sheets

FIG. 1

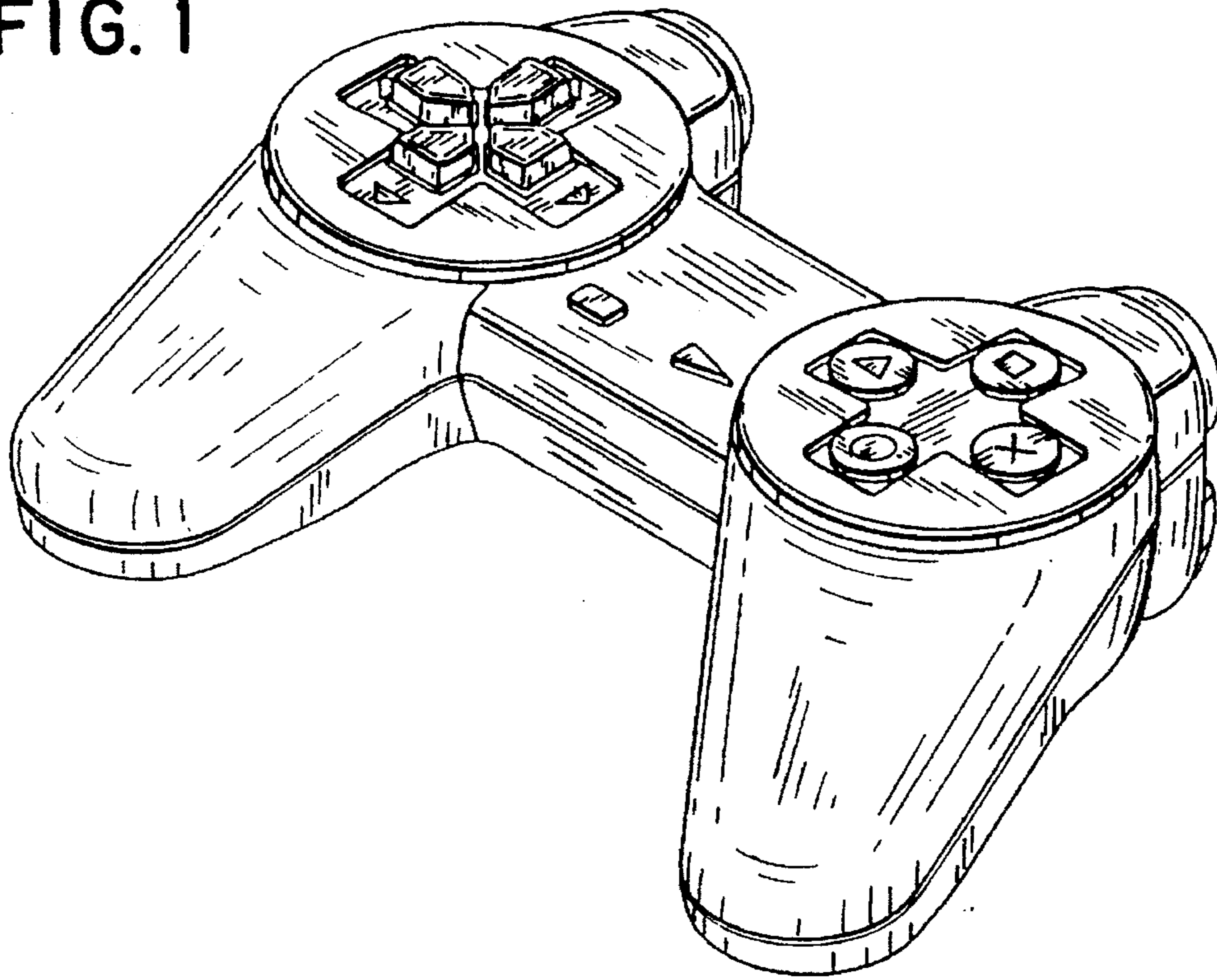


FIG. 2

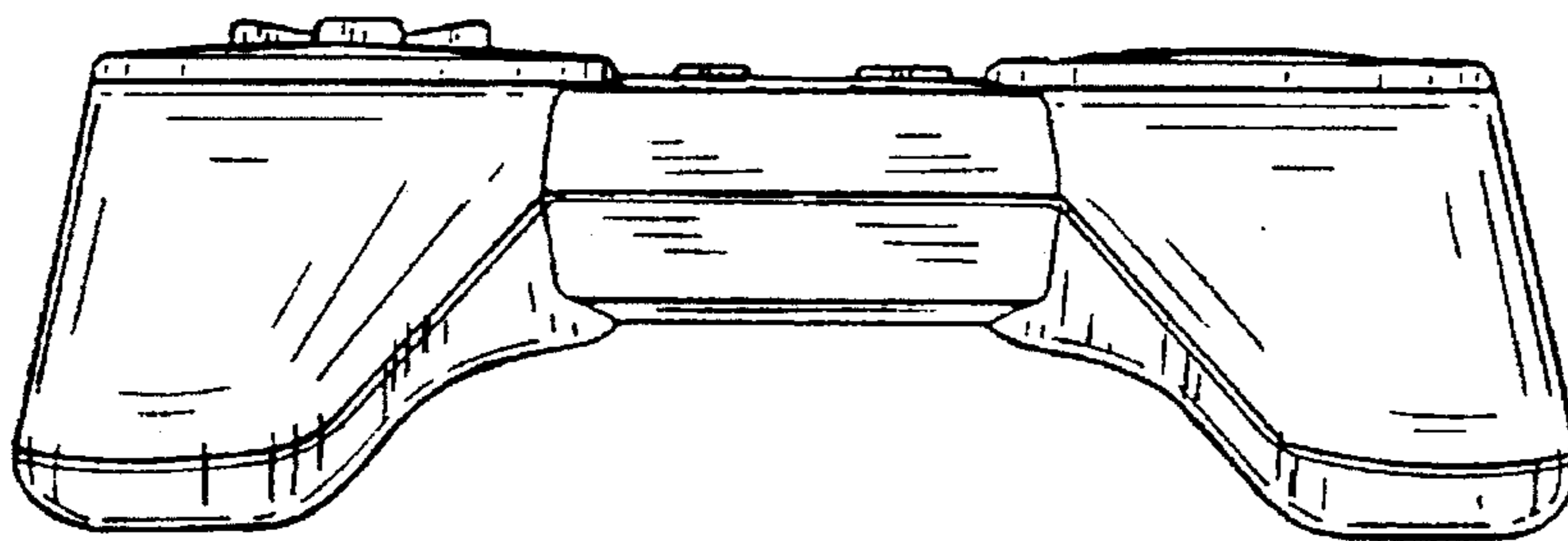


FIG. 3

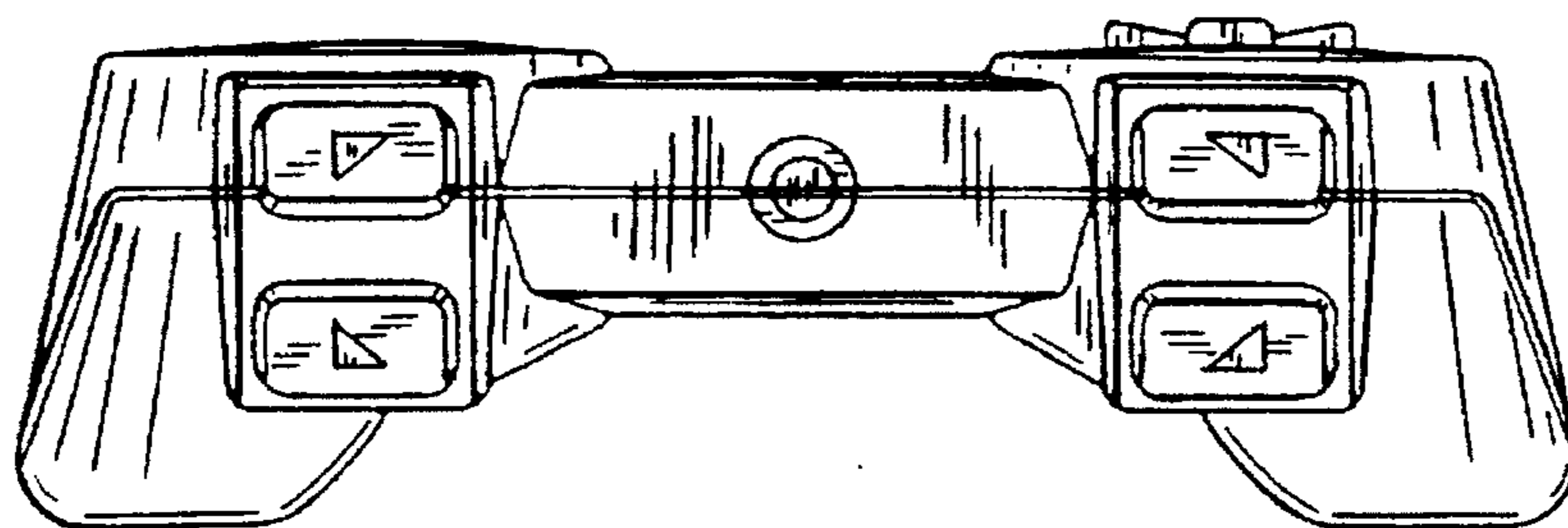


FIG. 4

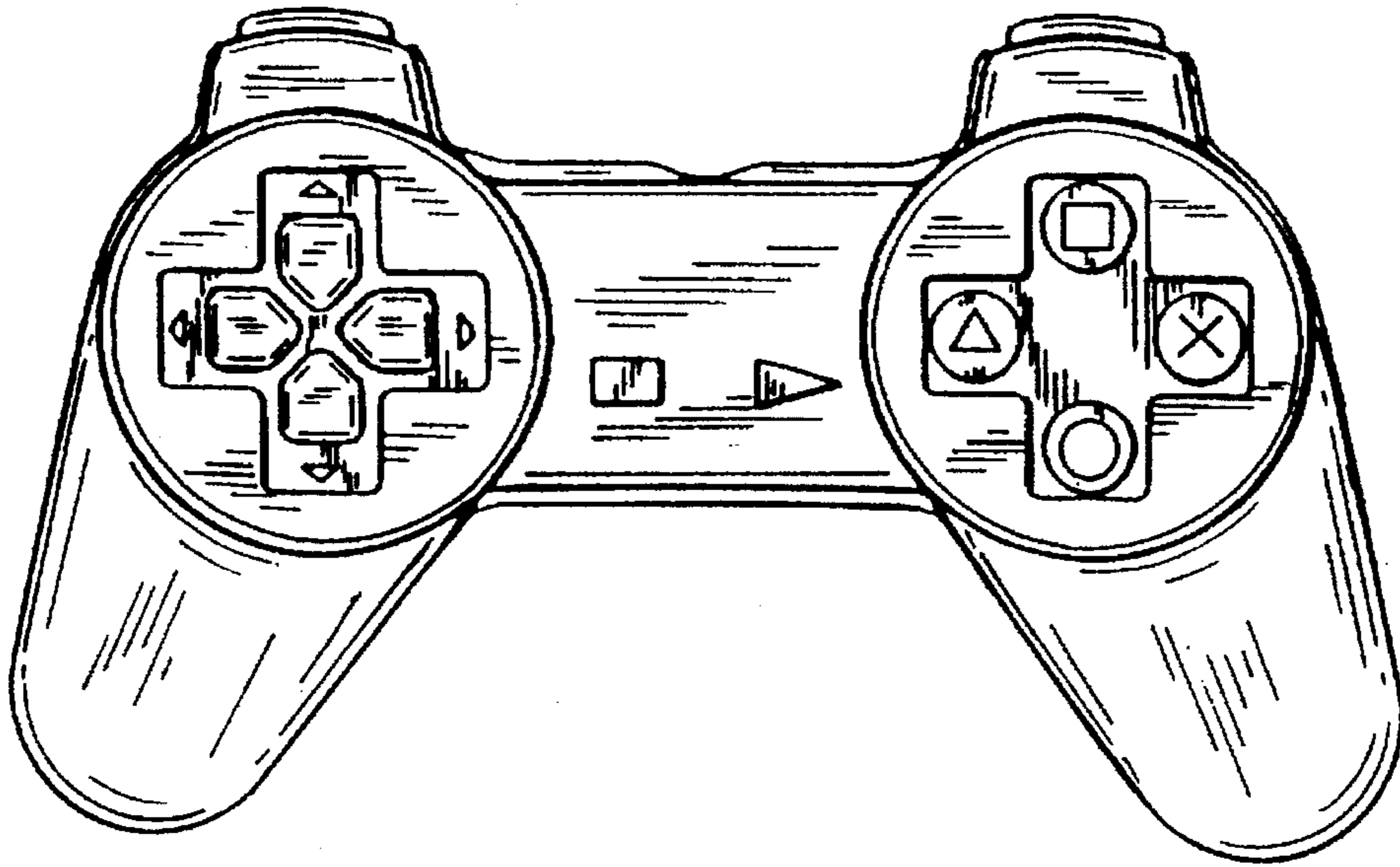


FIG. 5

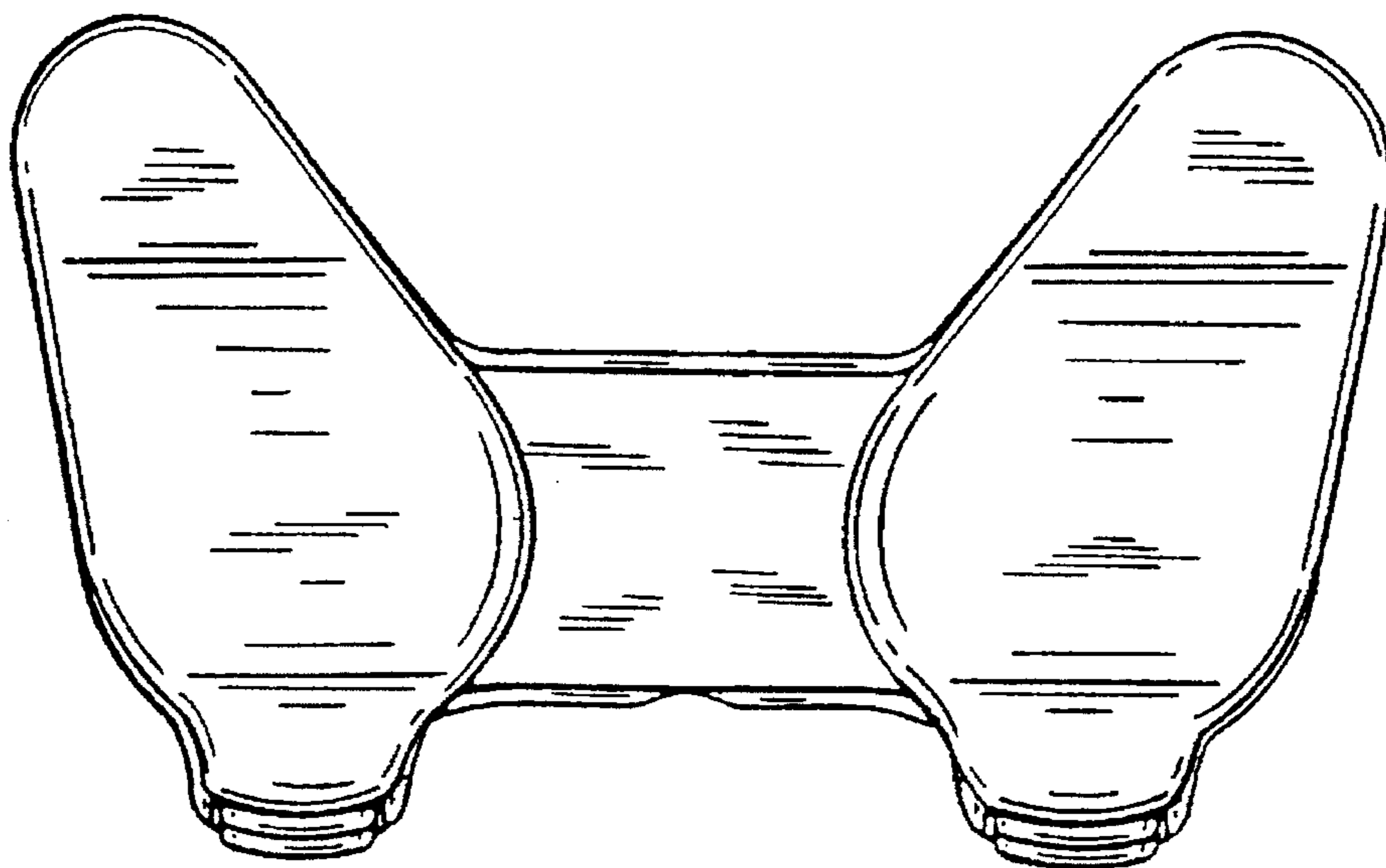


FIG. 6

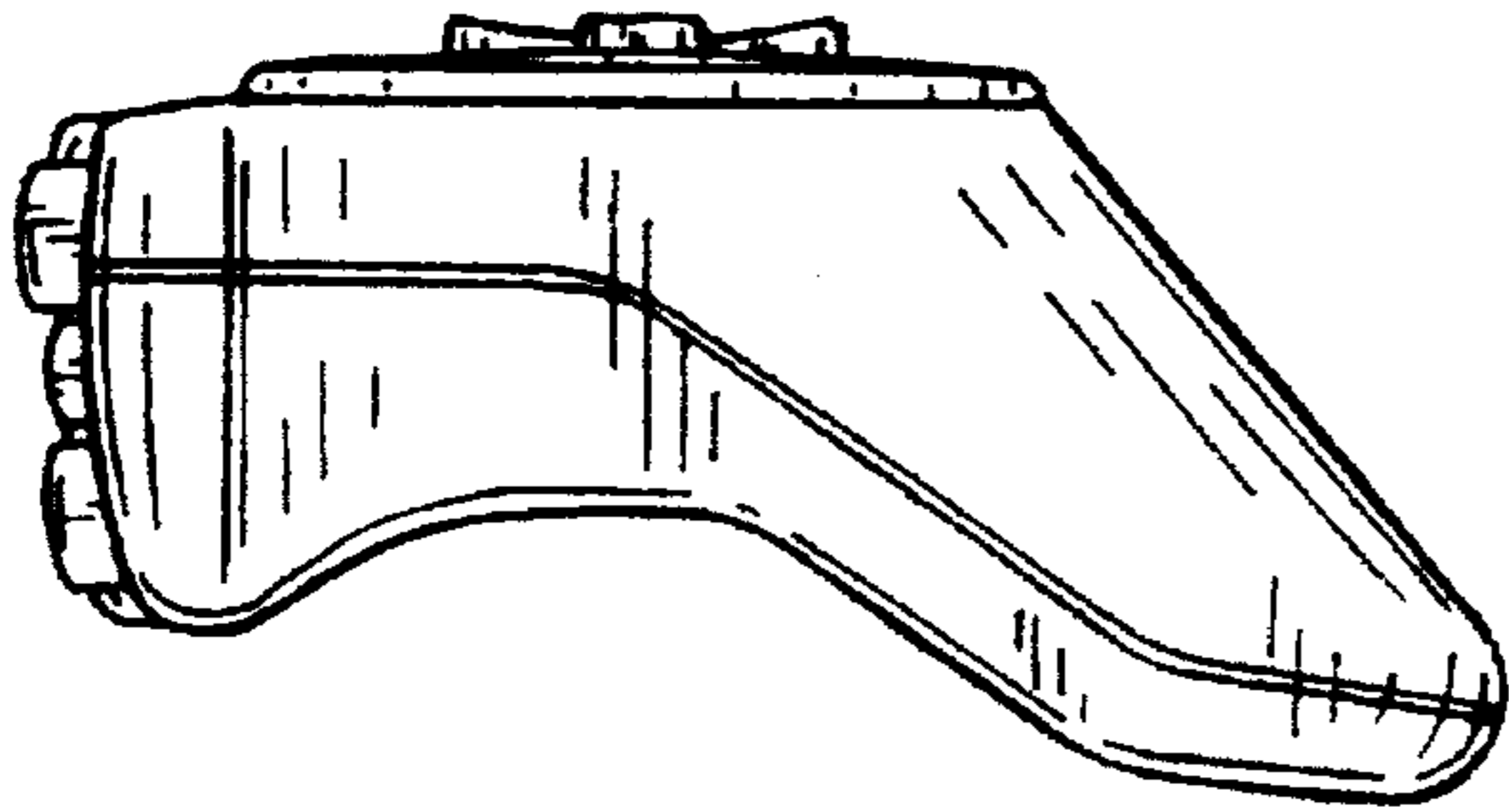


FIG. 7

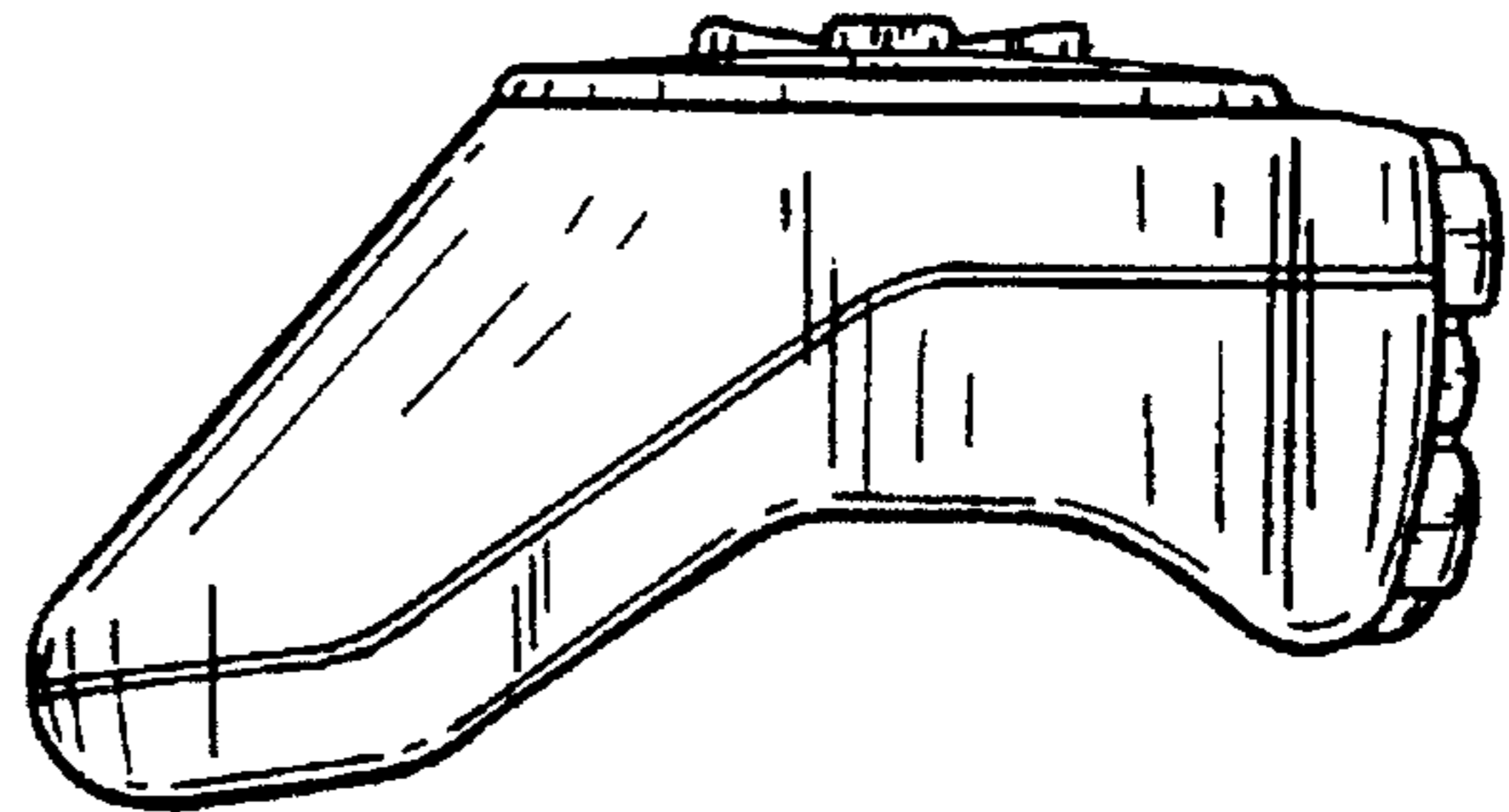


FIG. 8

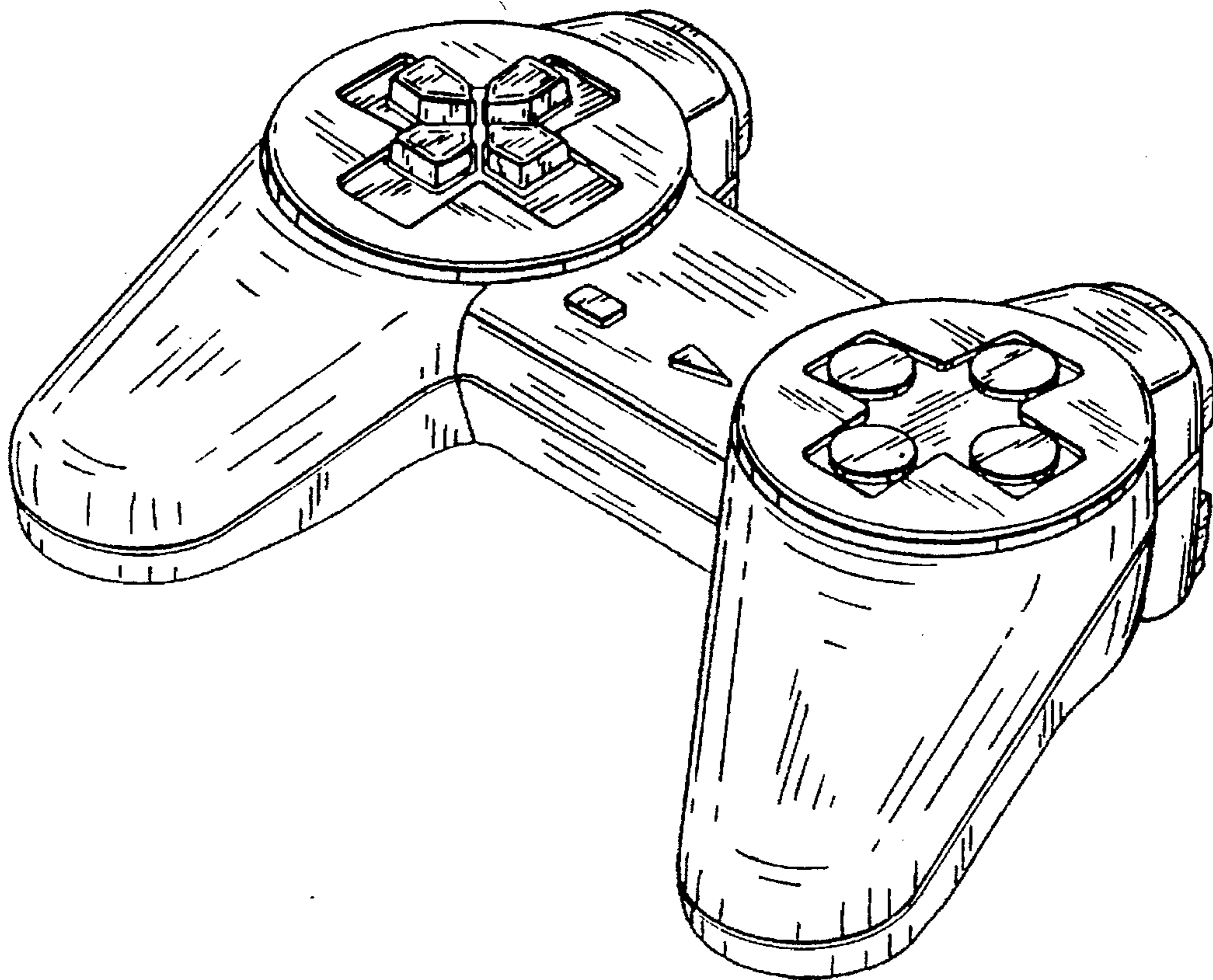


FIG. 9

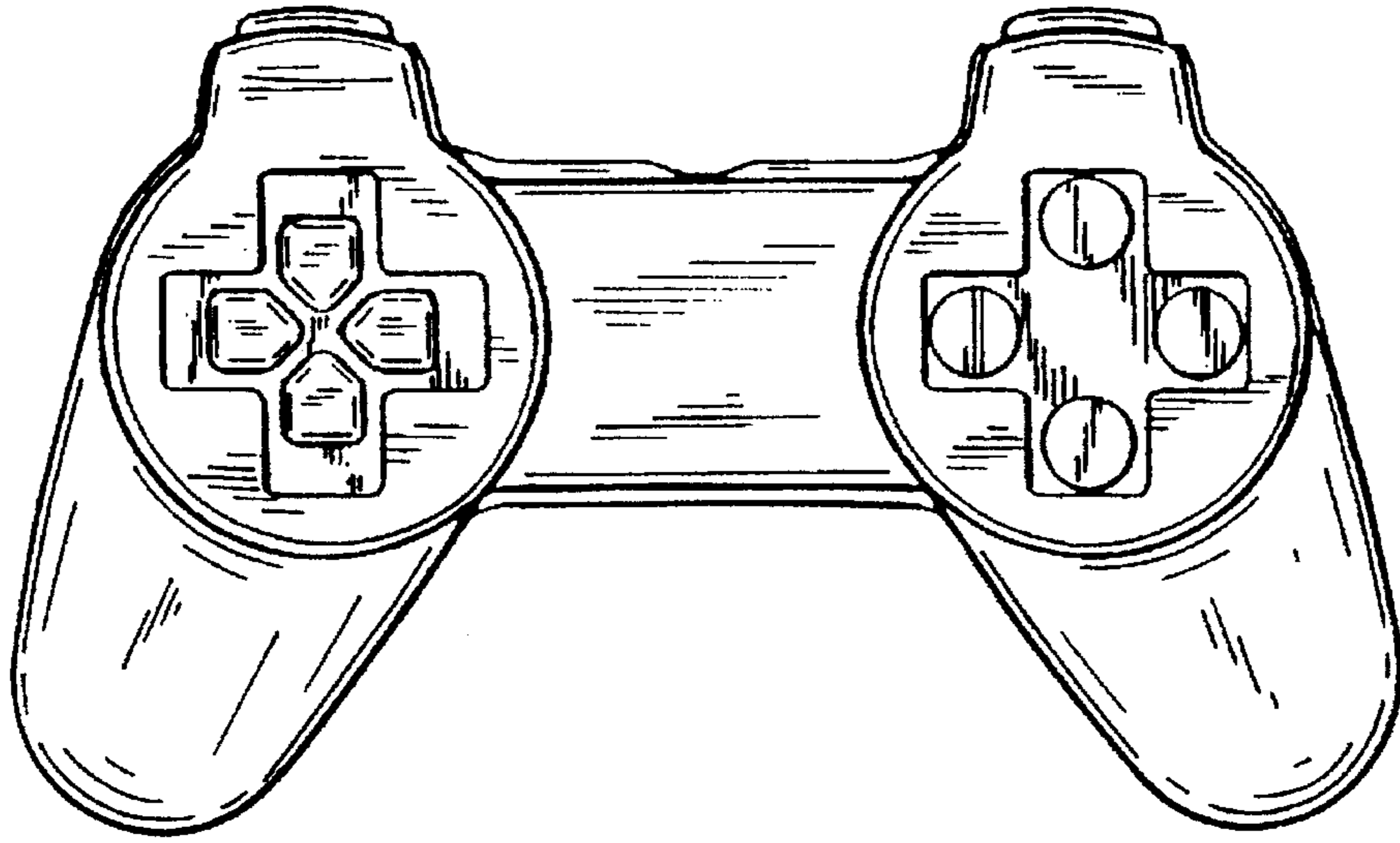


FIG. 10

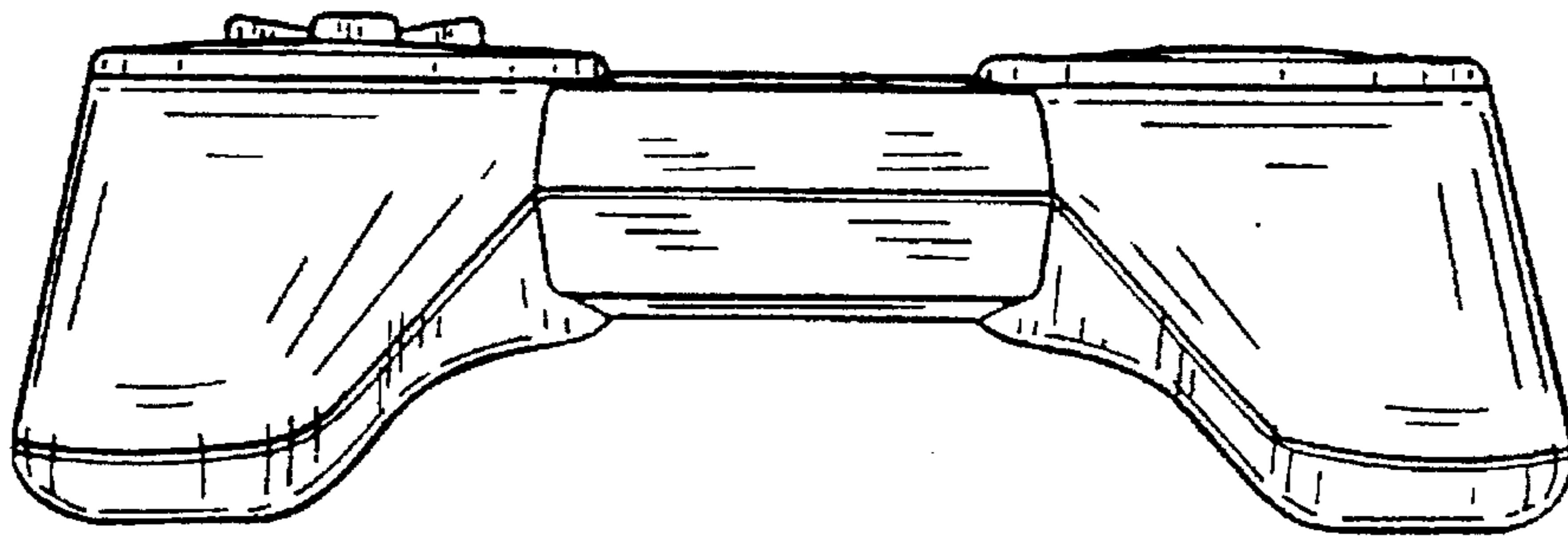
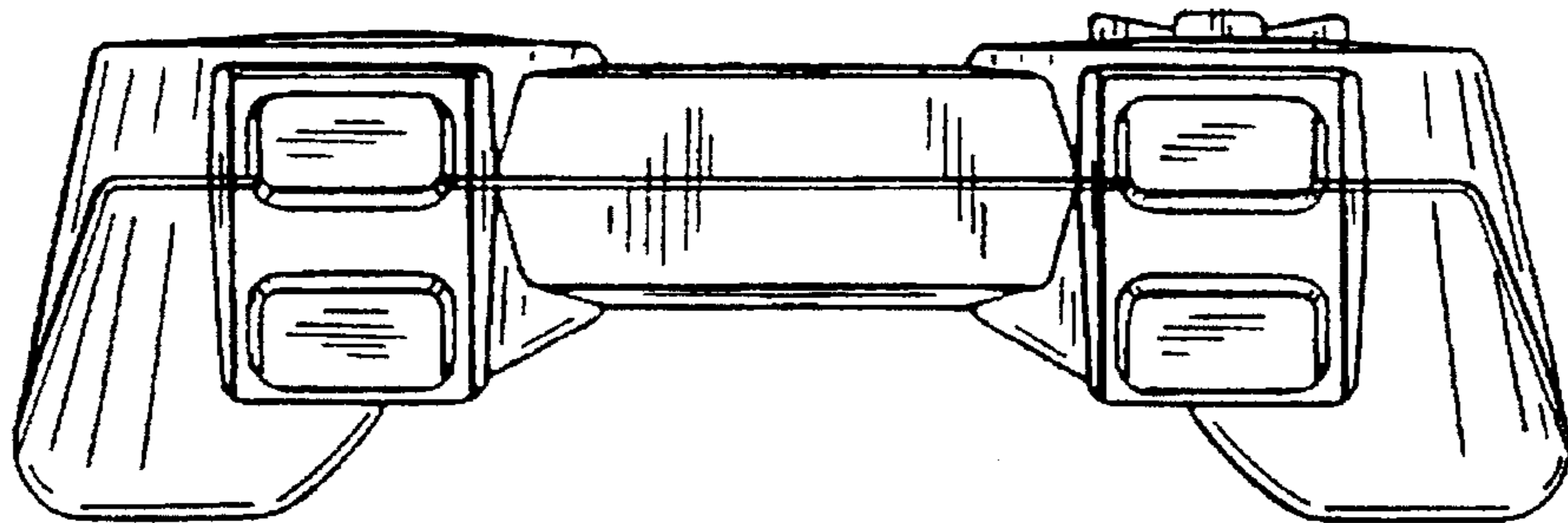


FIG. 11



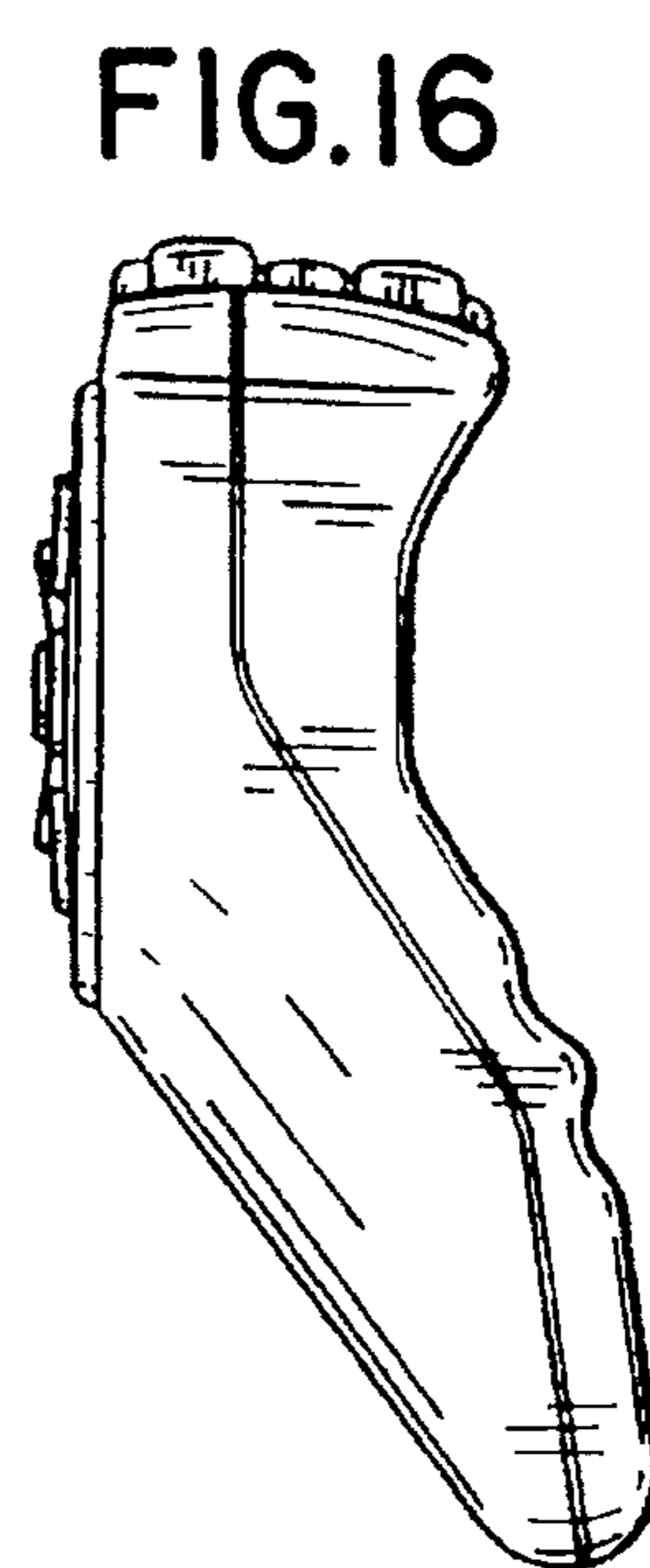
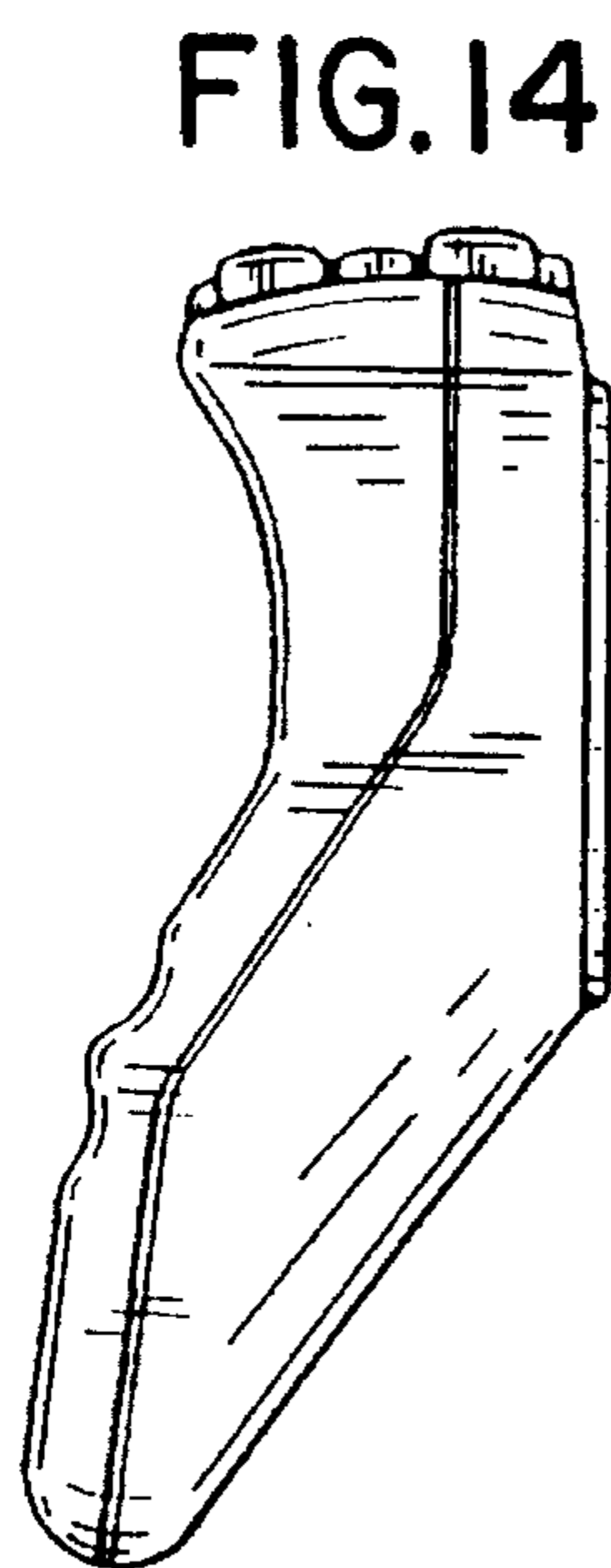
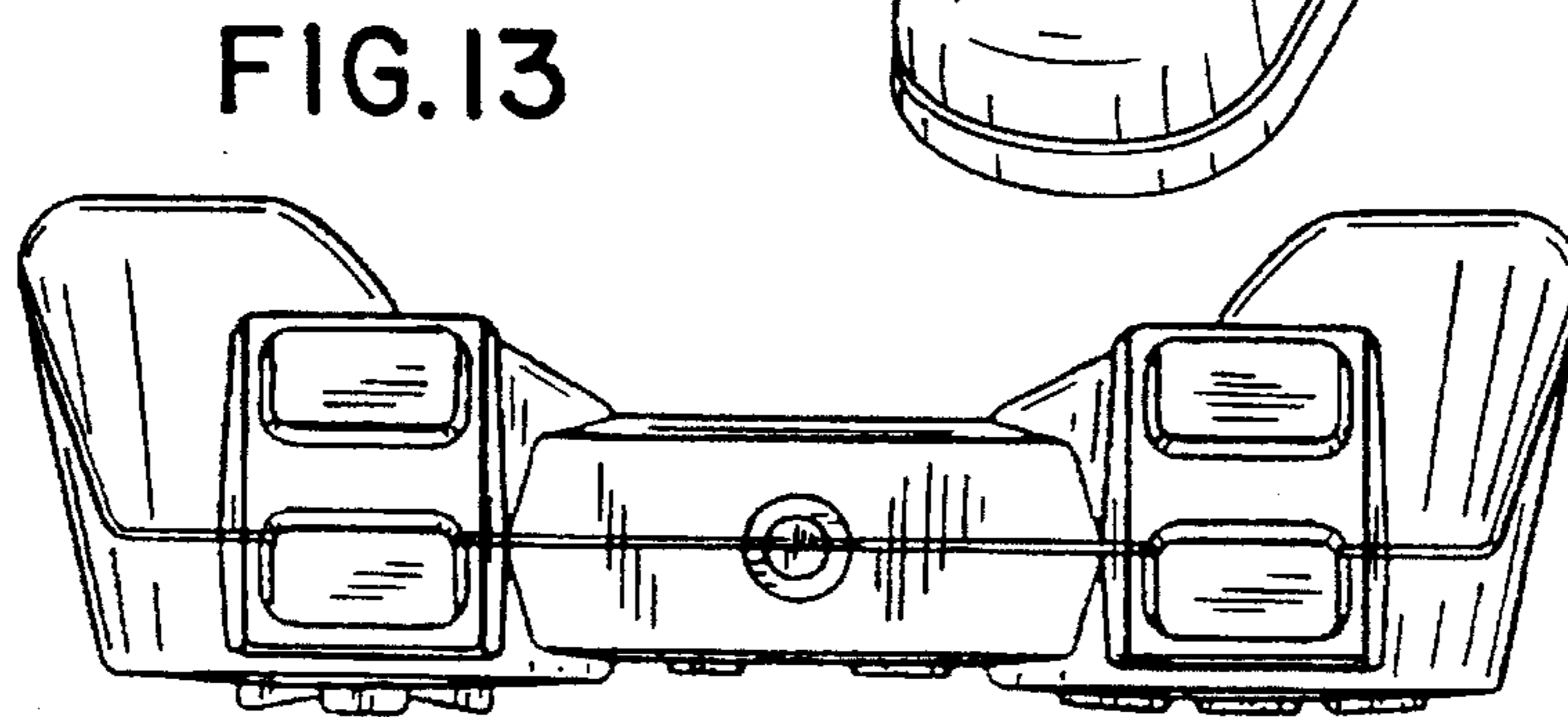
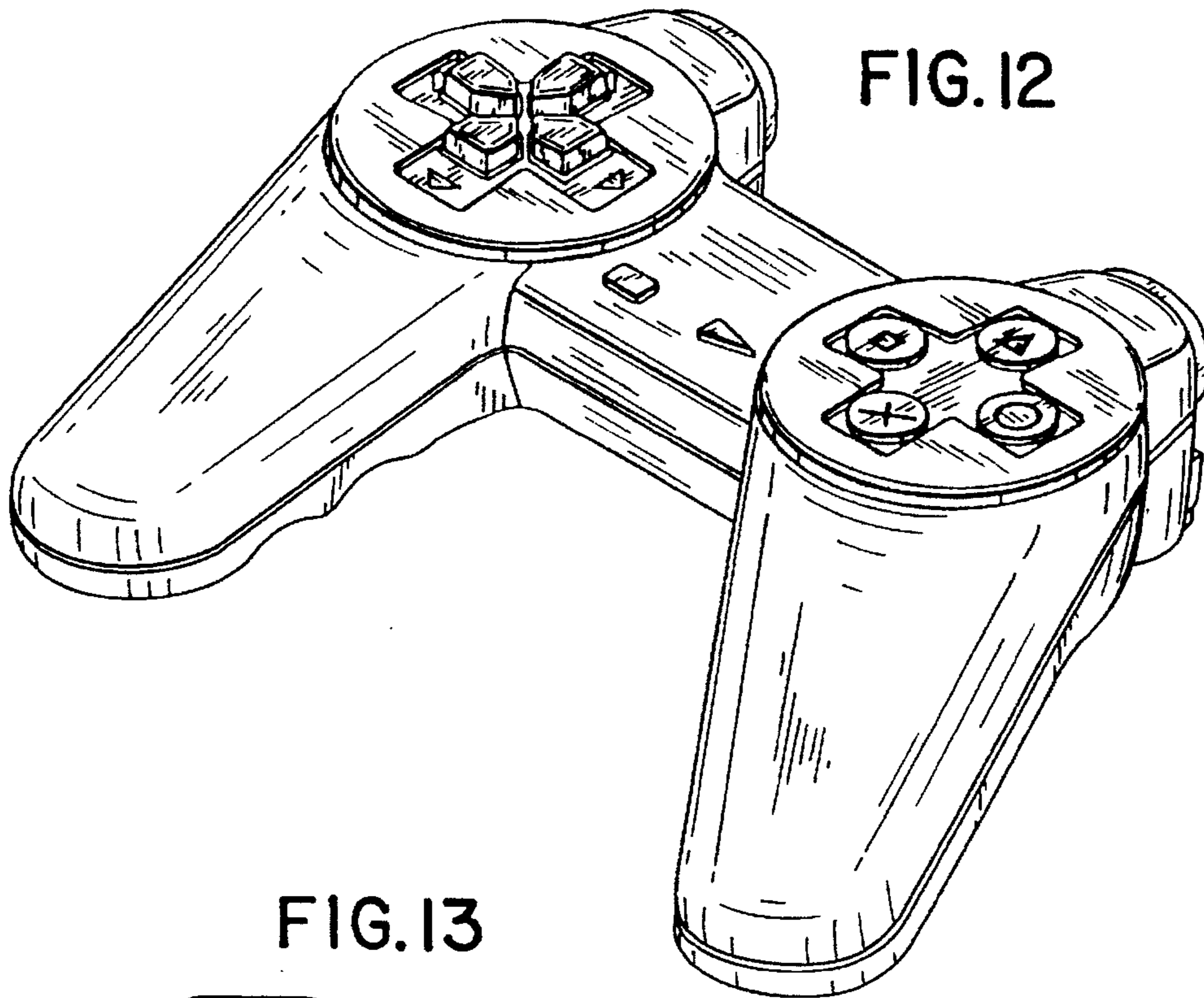


FIG. 15

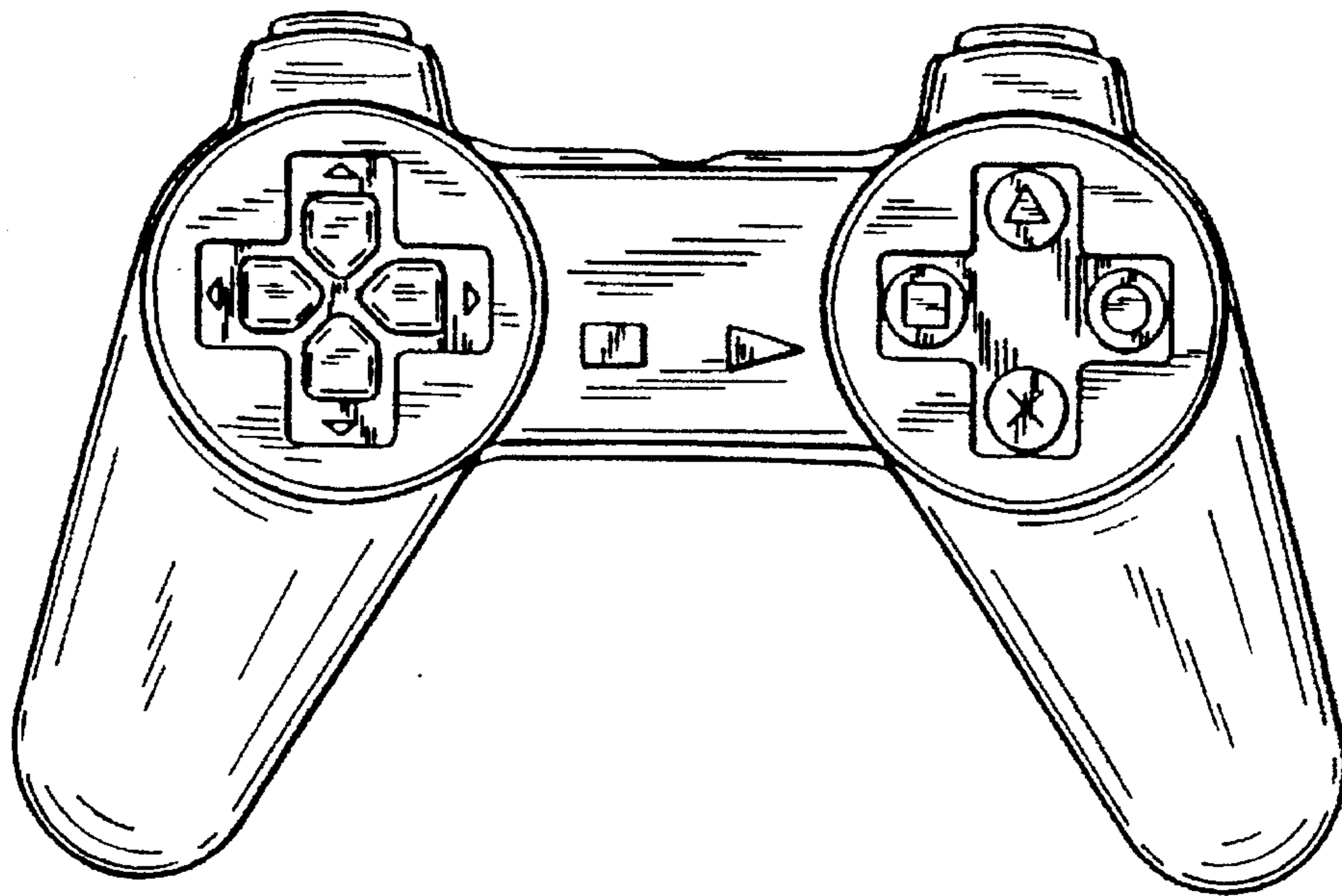


FIG. 17

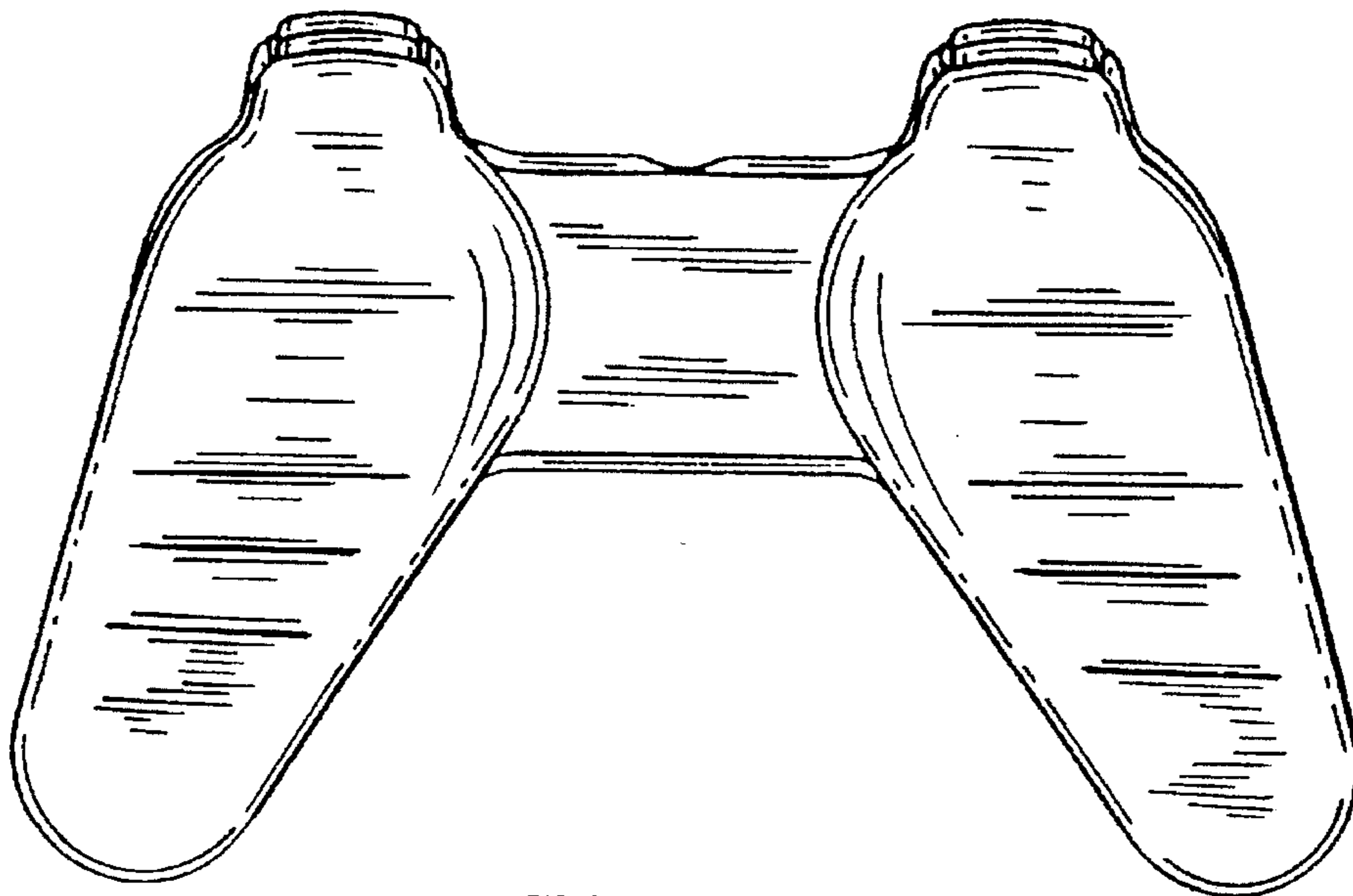


FIG. 18

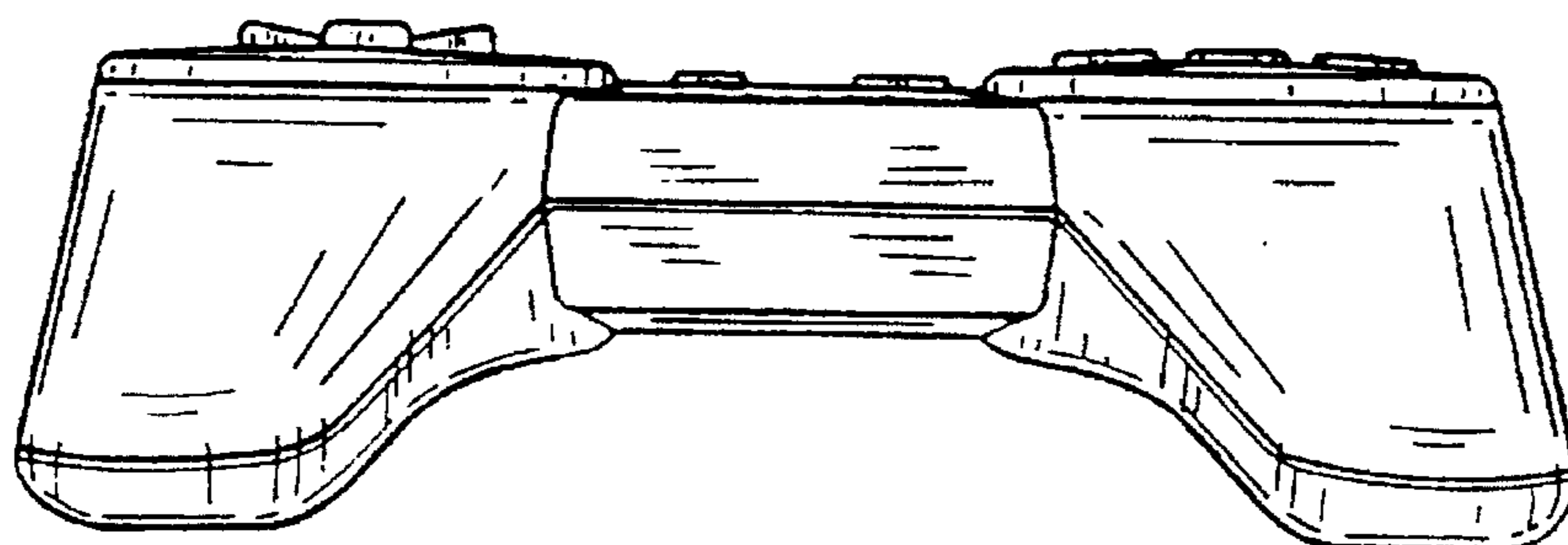


FIG. 19

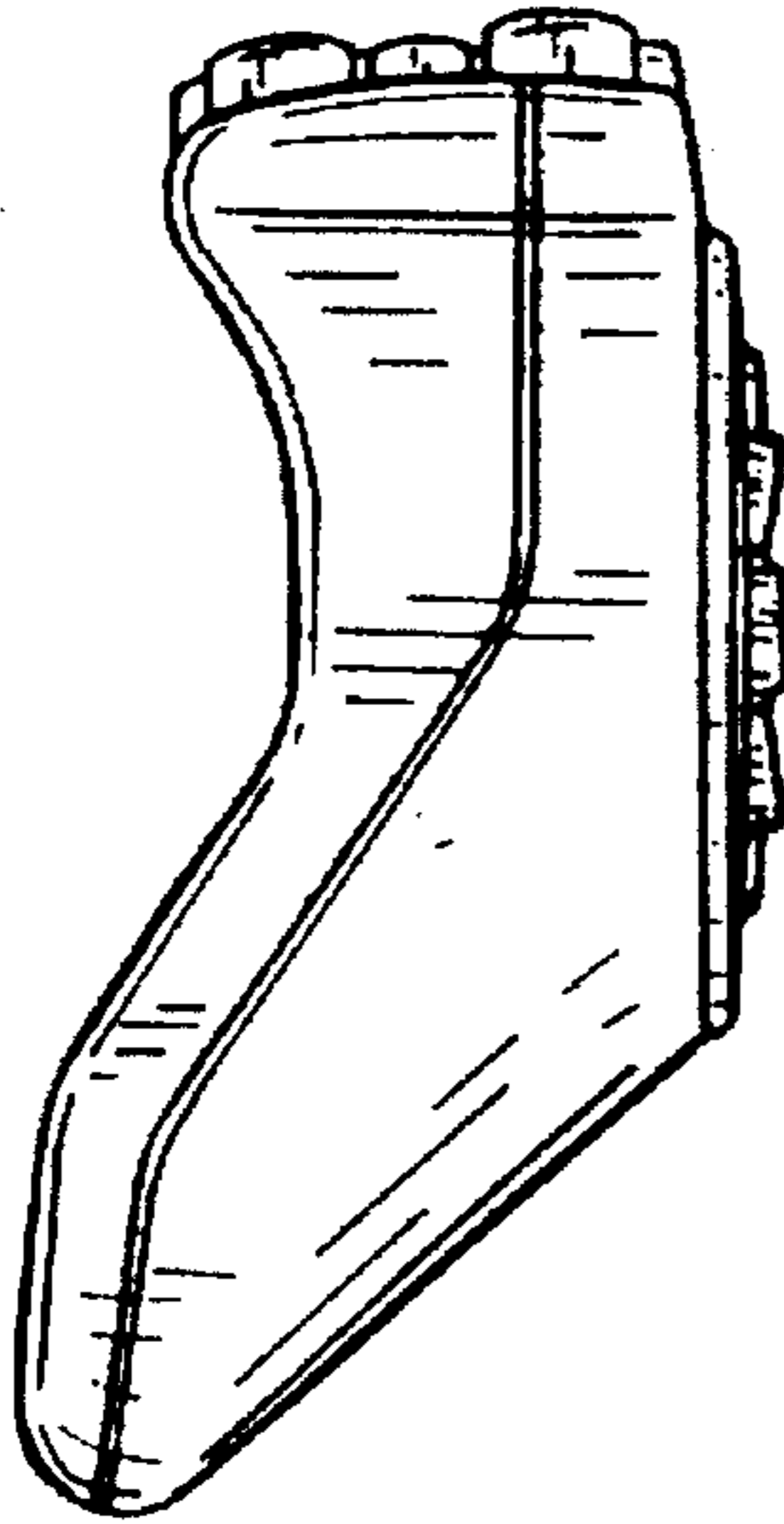


FIG. 20

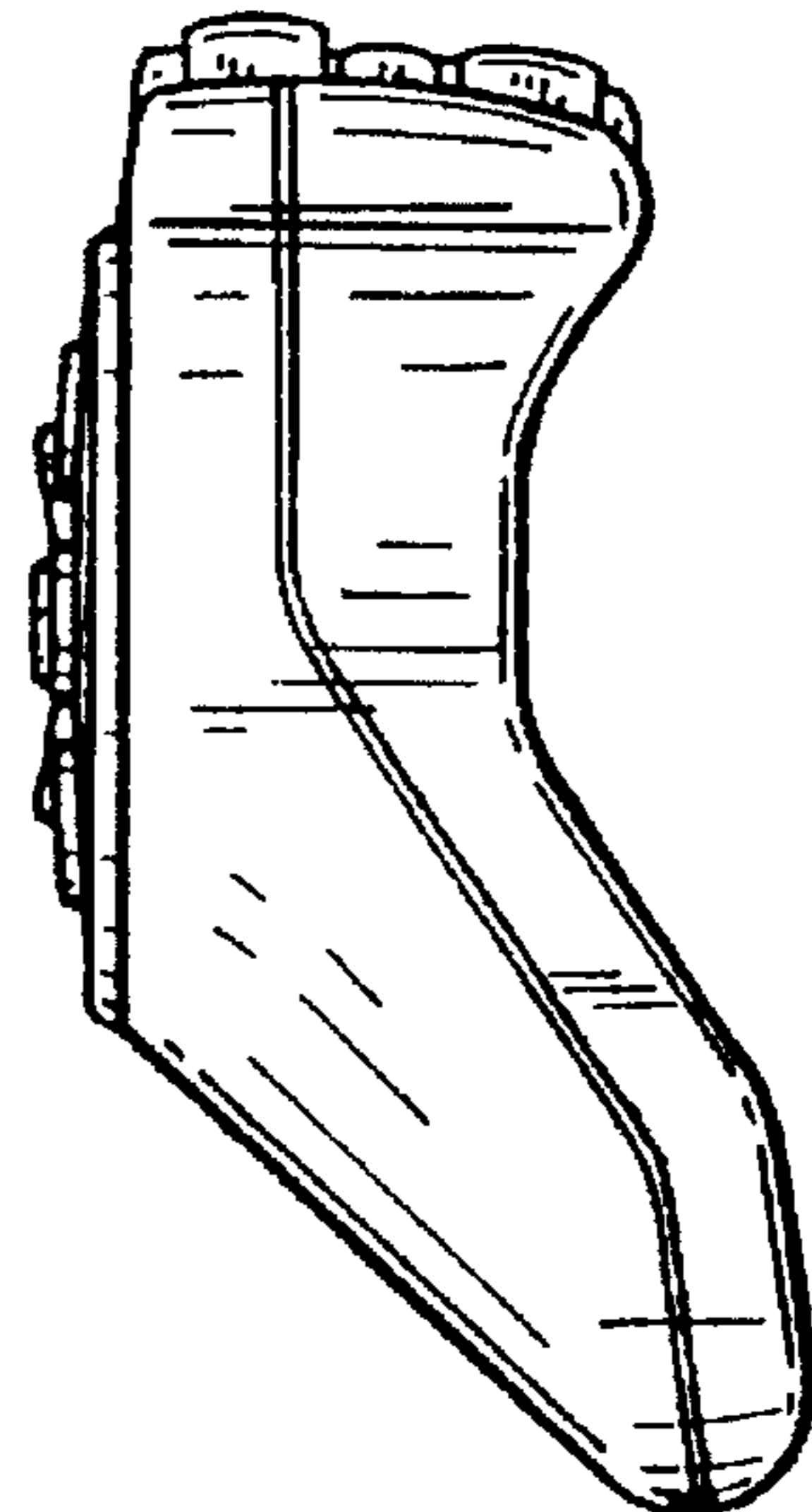
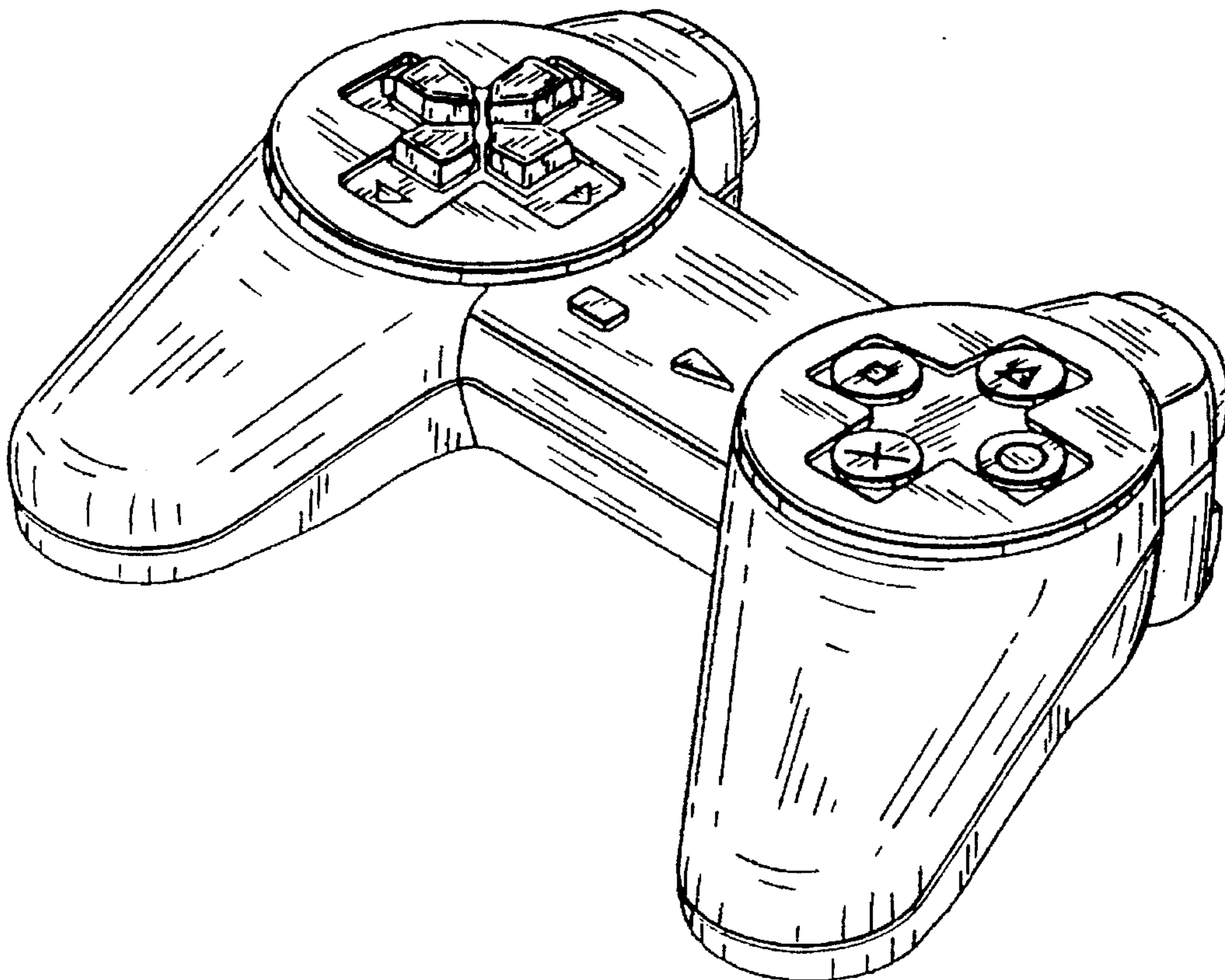


FIG. 21



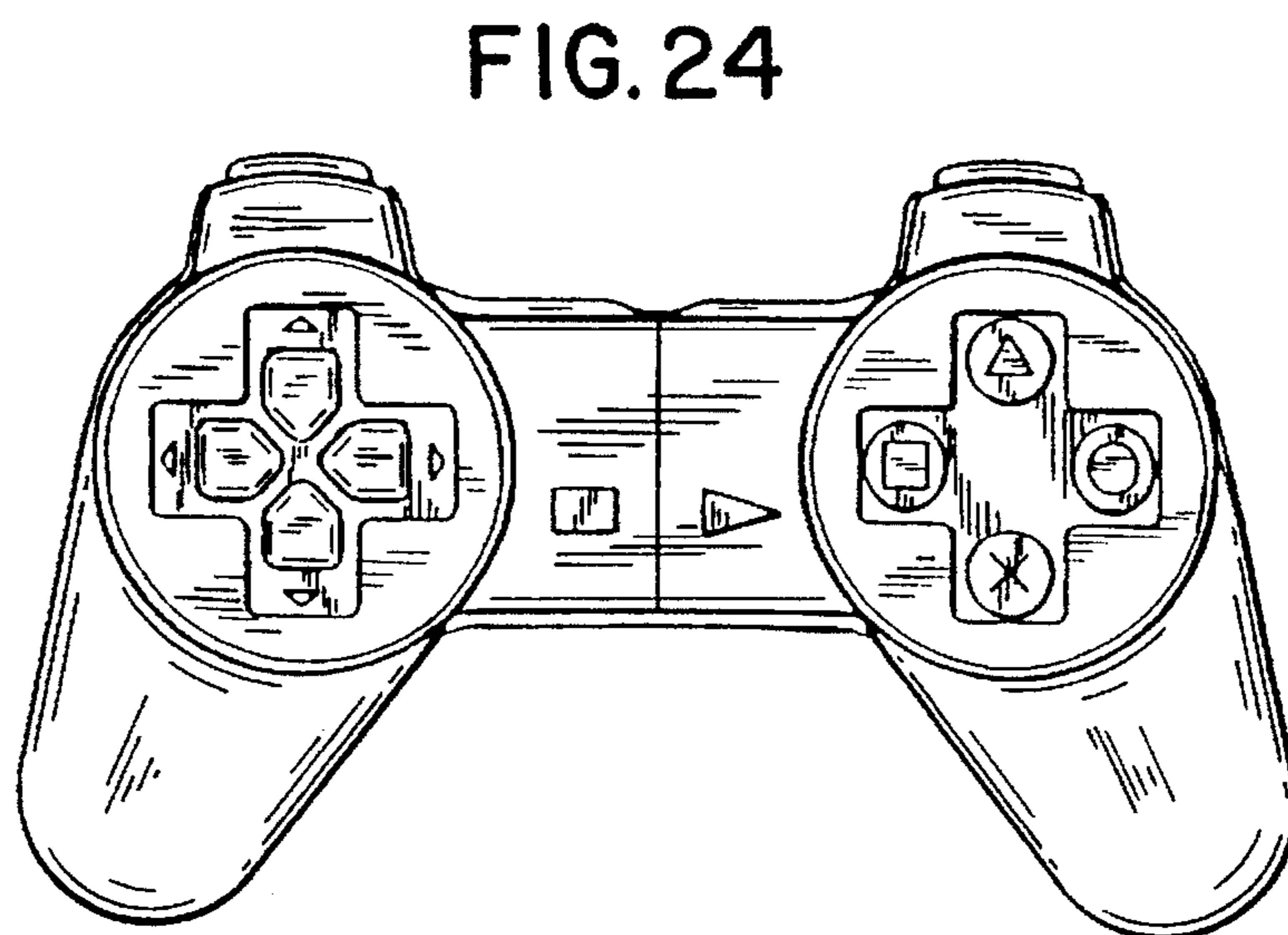
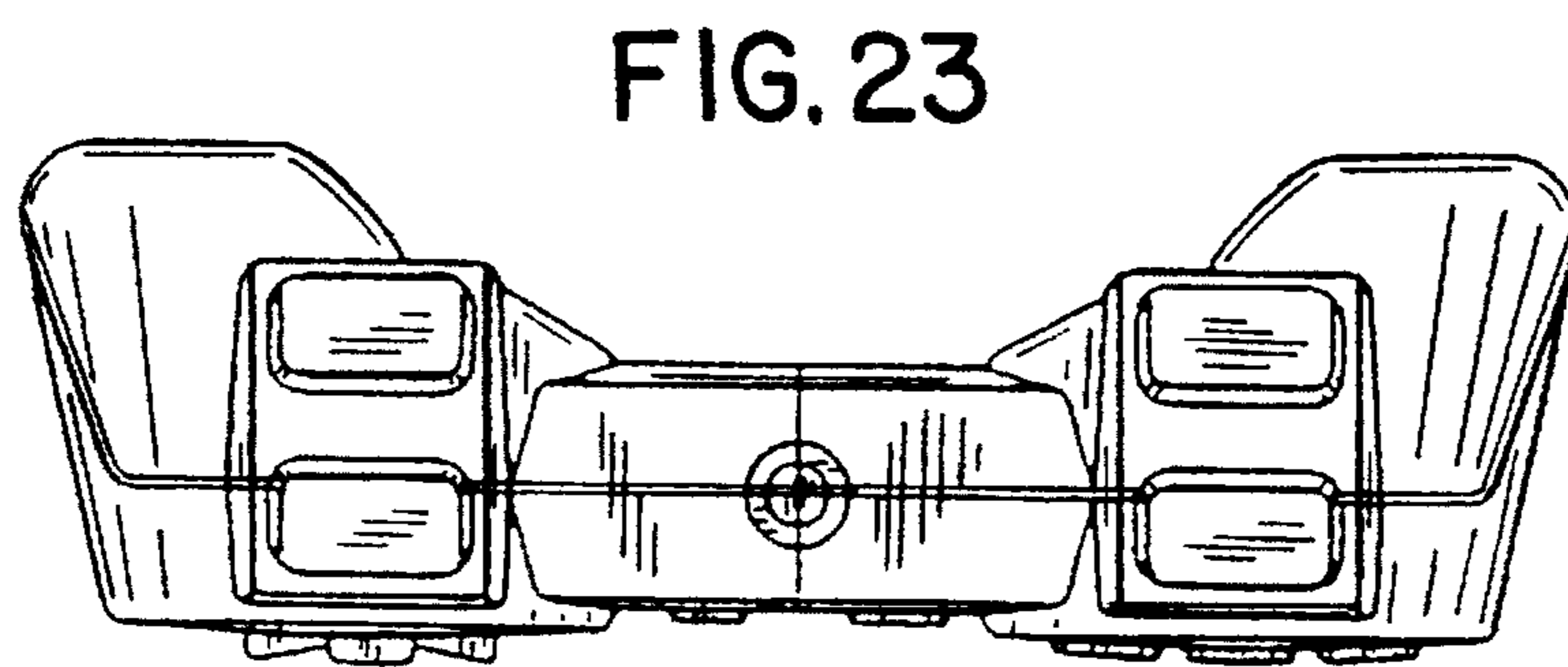
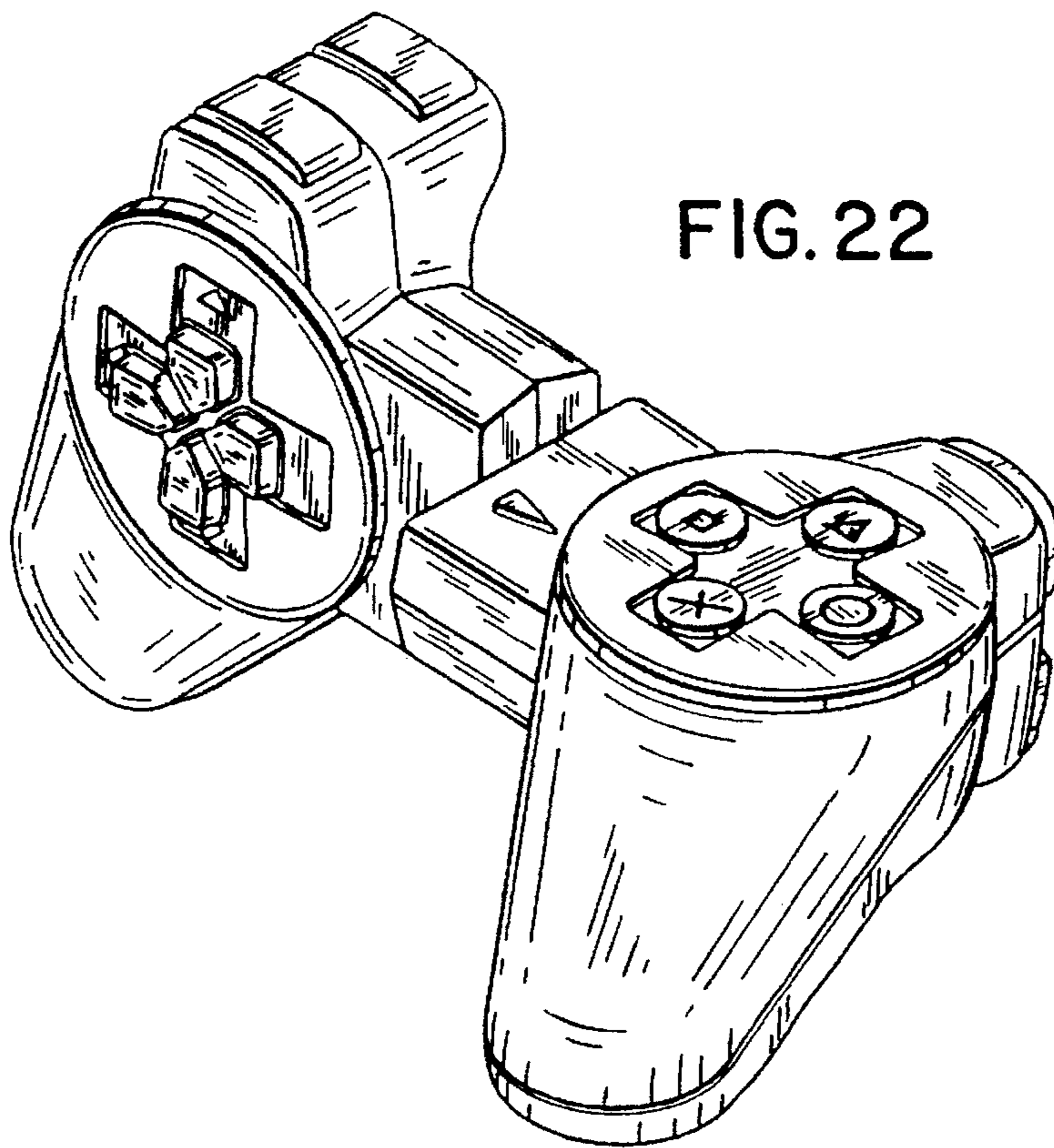


FIG. 25

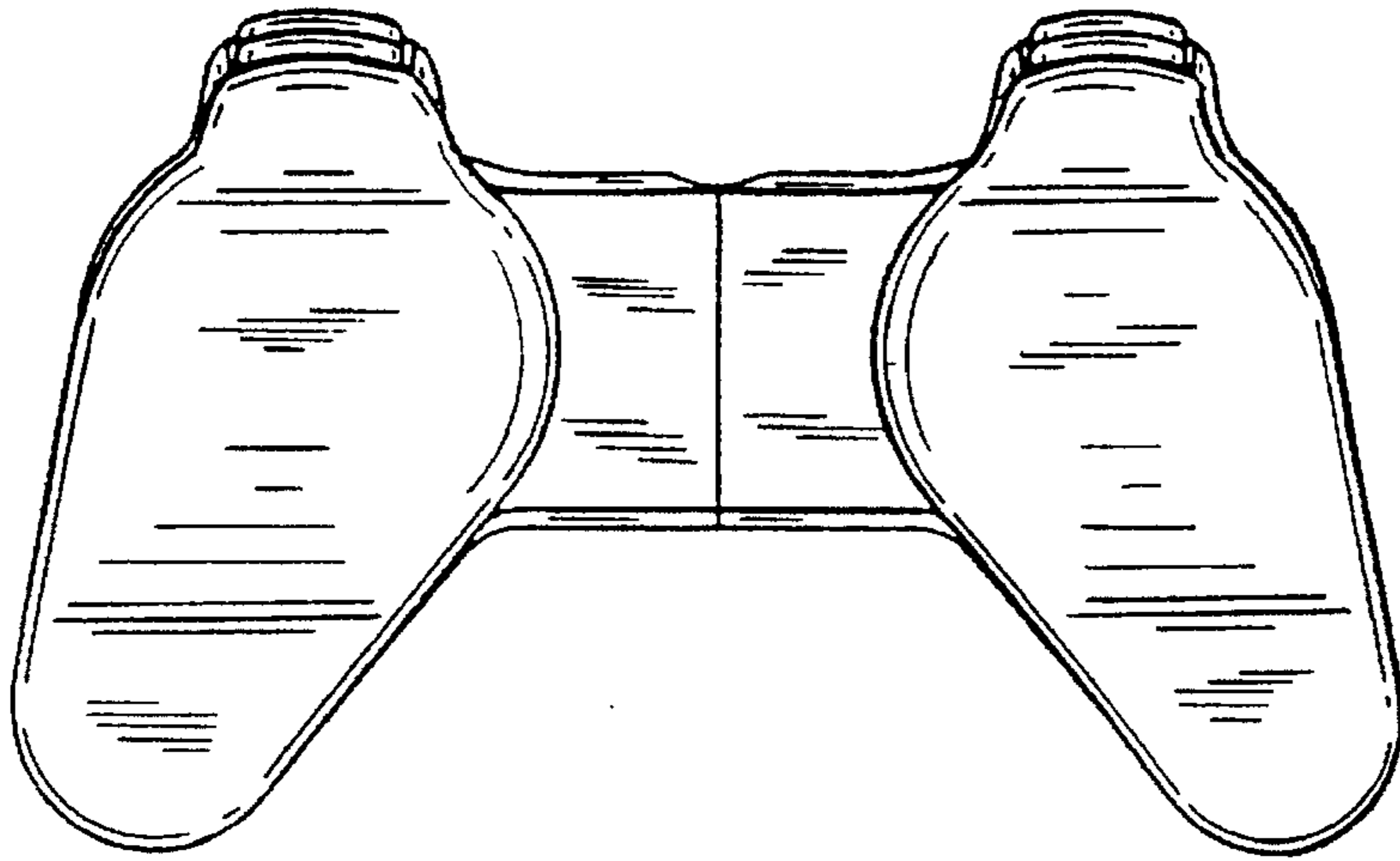


FIG. 26

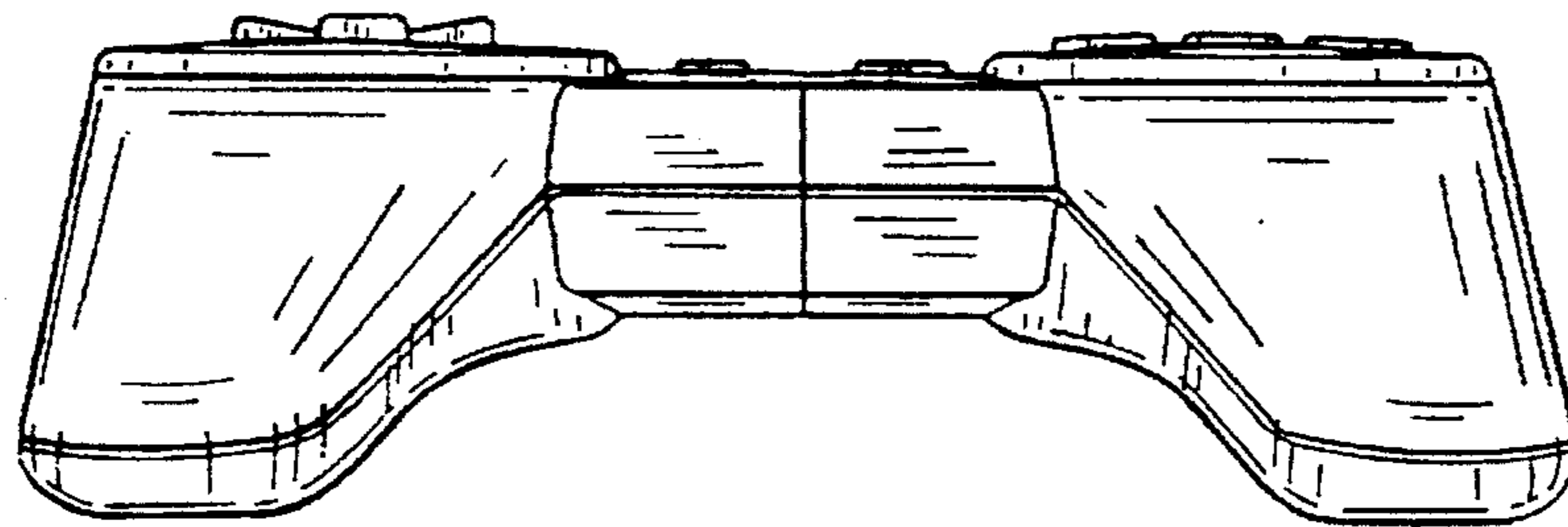


FIG. 27

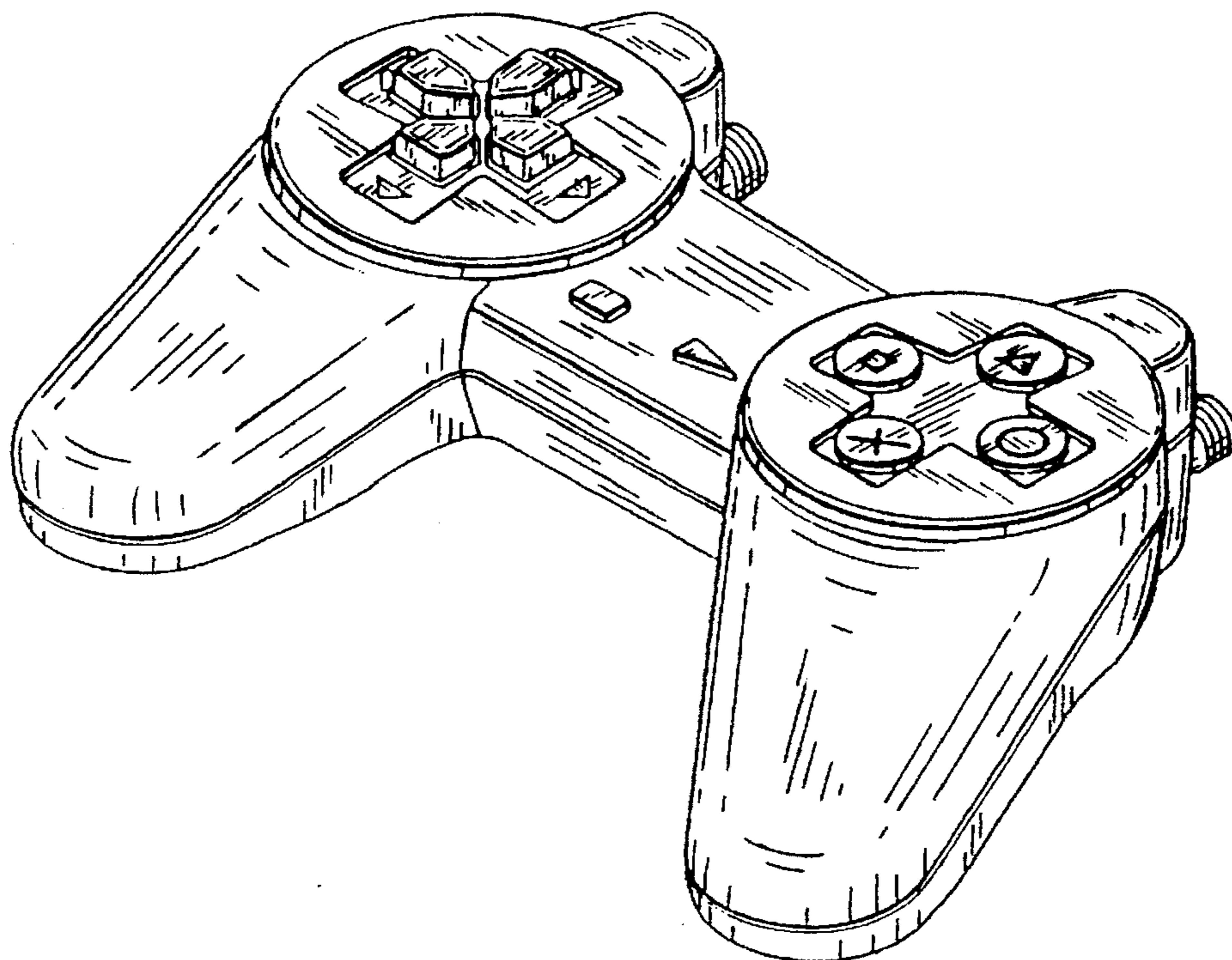


FIG. 28

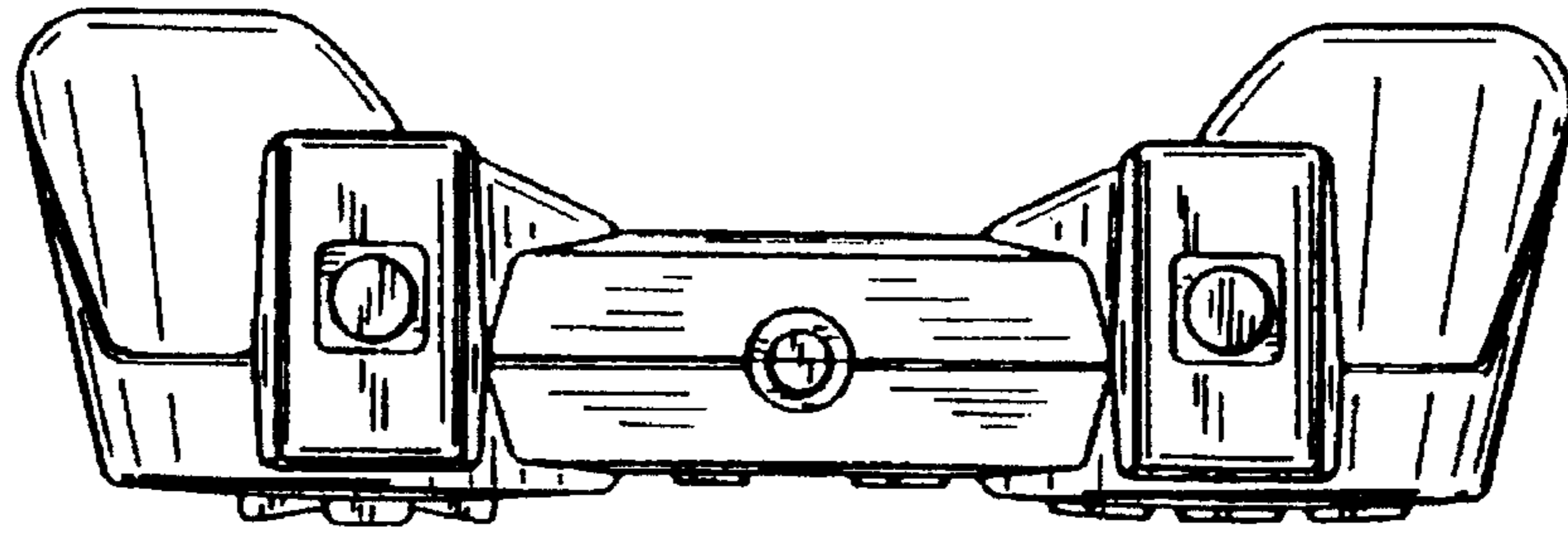


FIG. 29

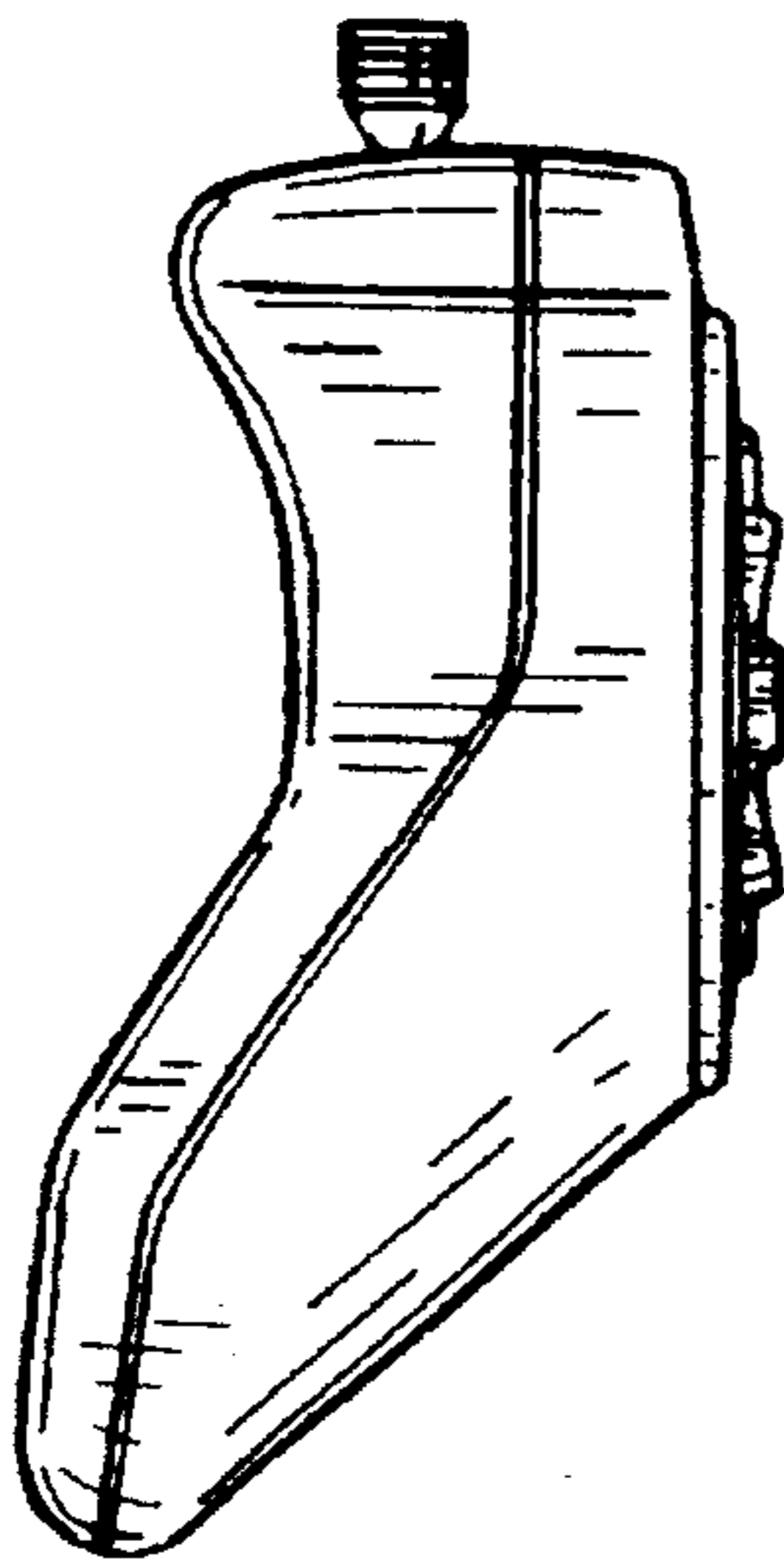


FIG. 31

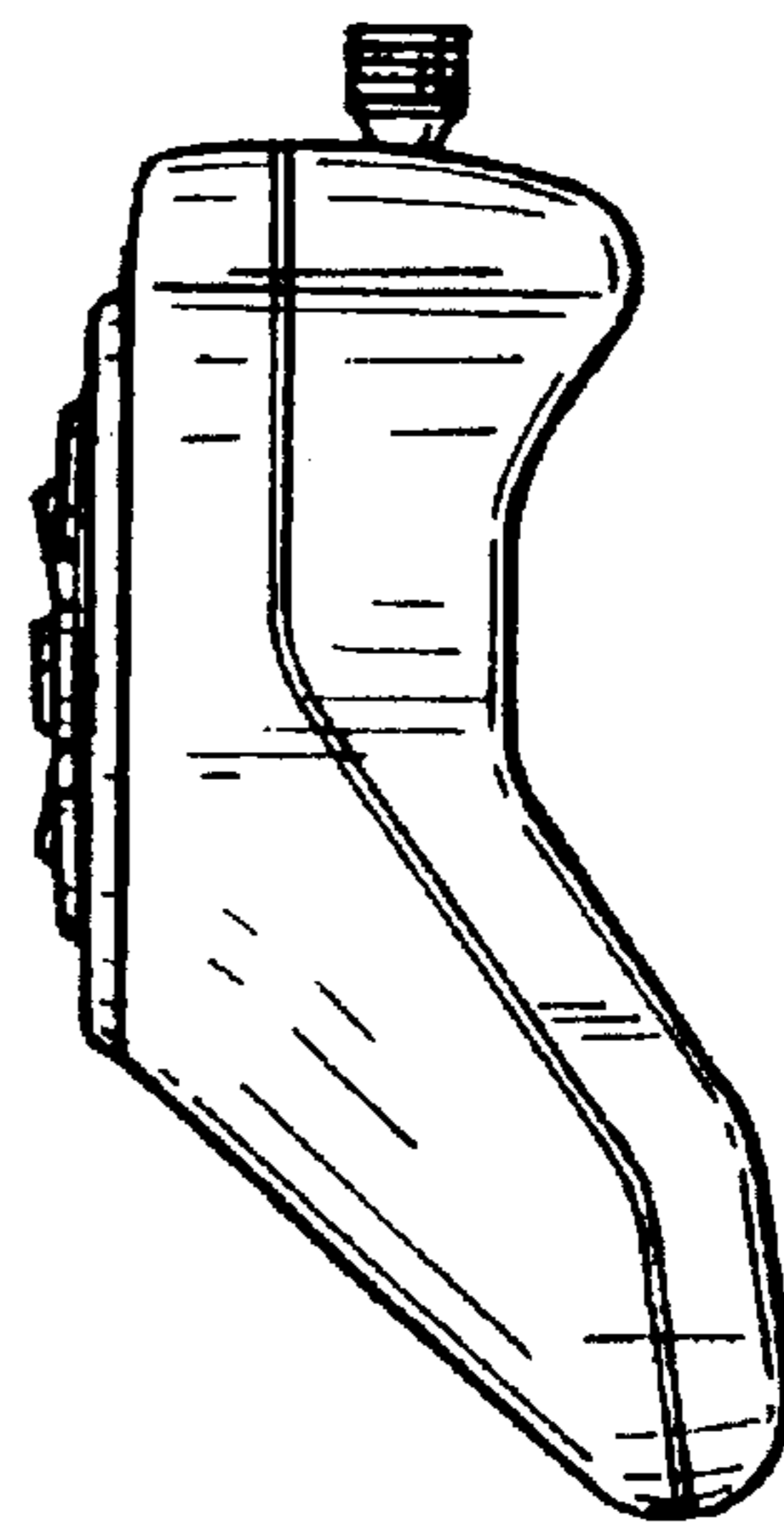
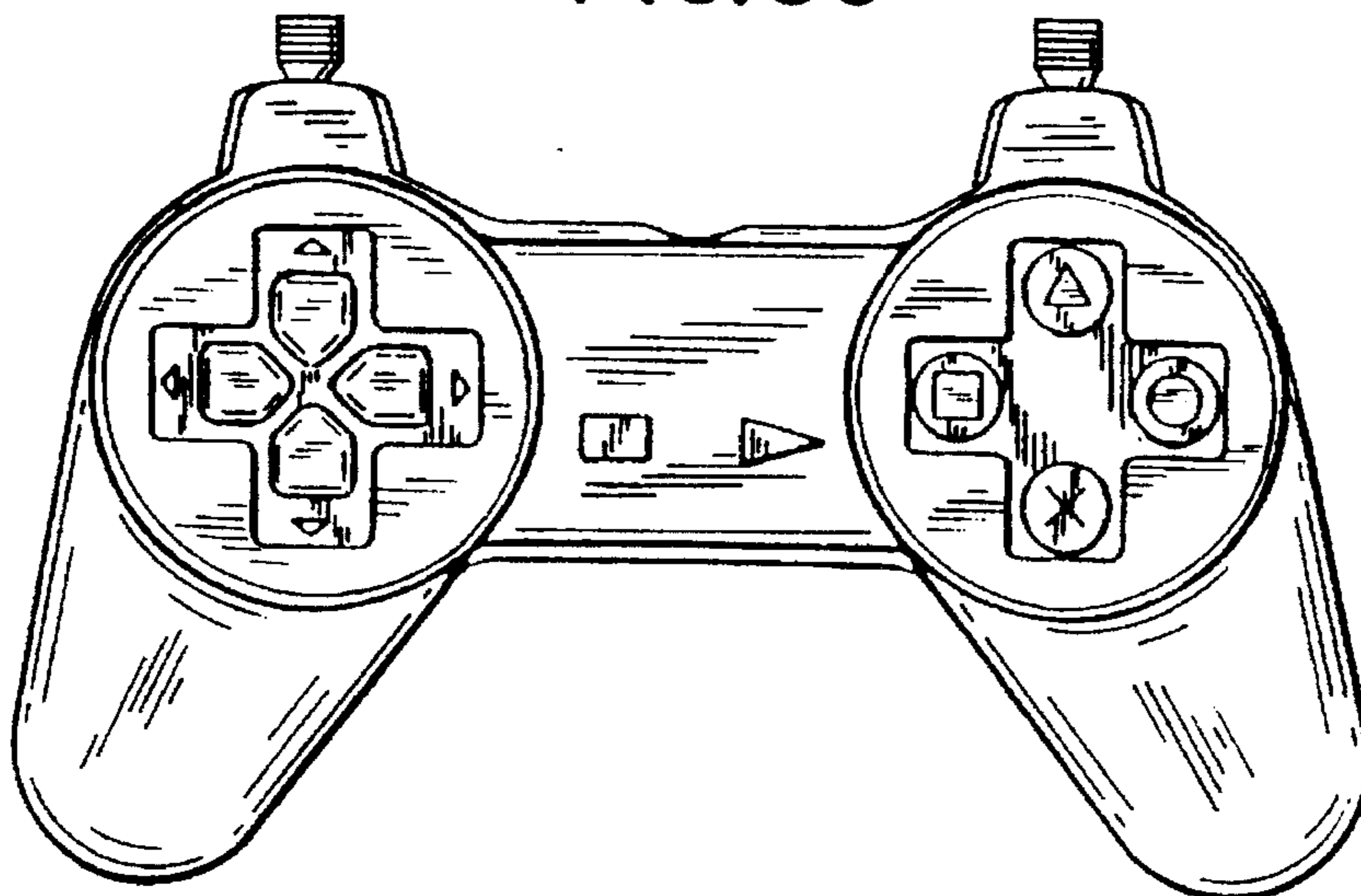


FIG. 30



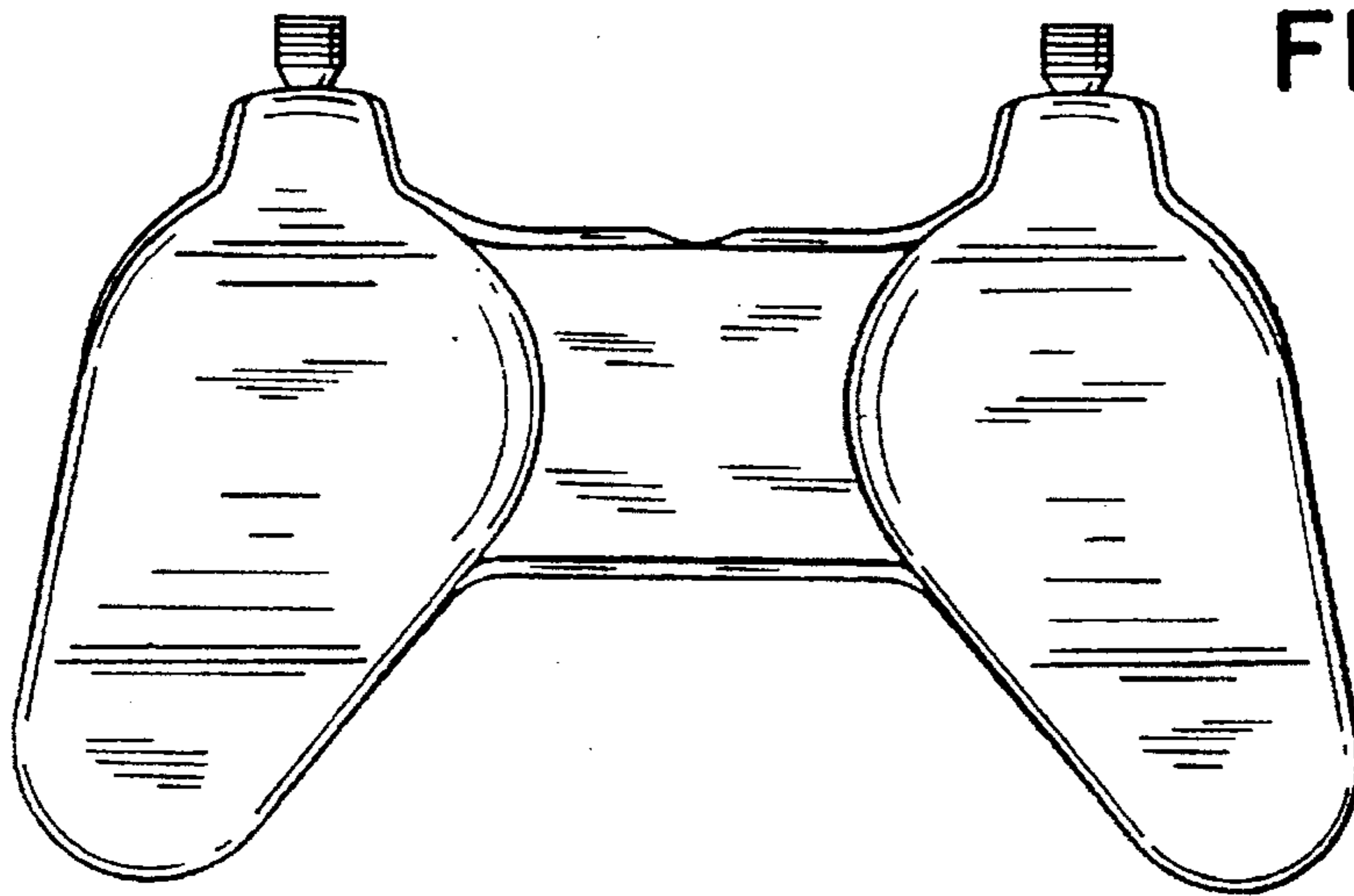


FIG. 32

FIG. 33

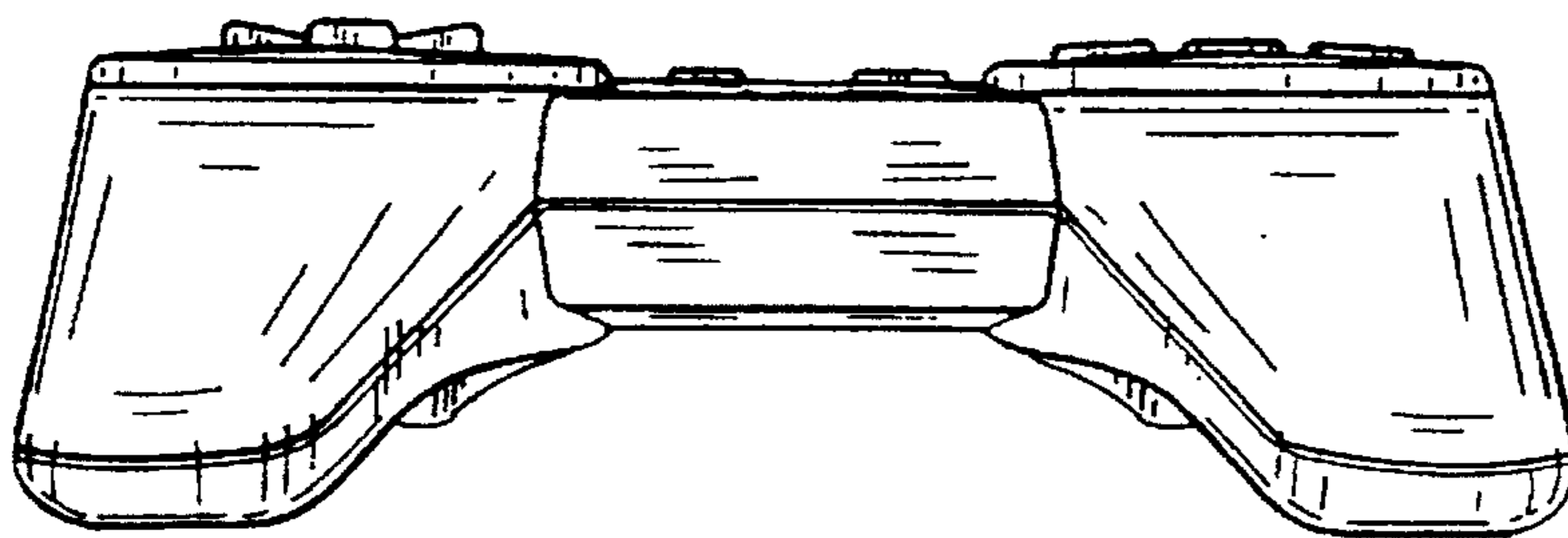


FIG. 34

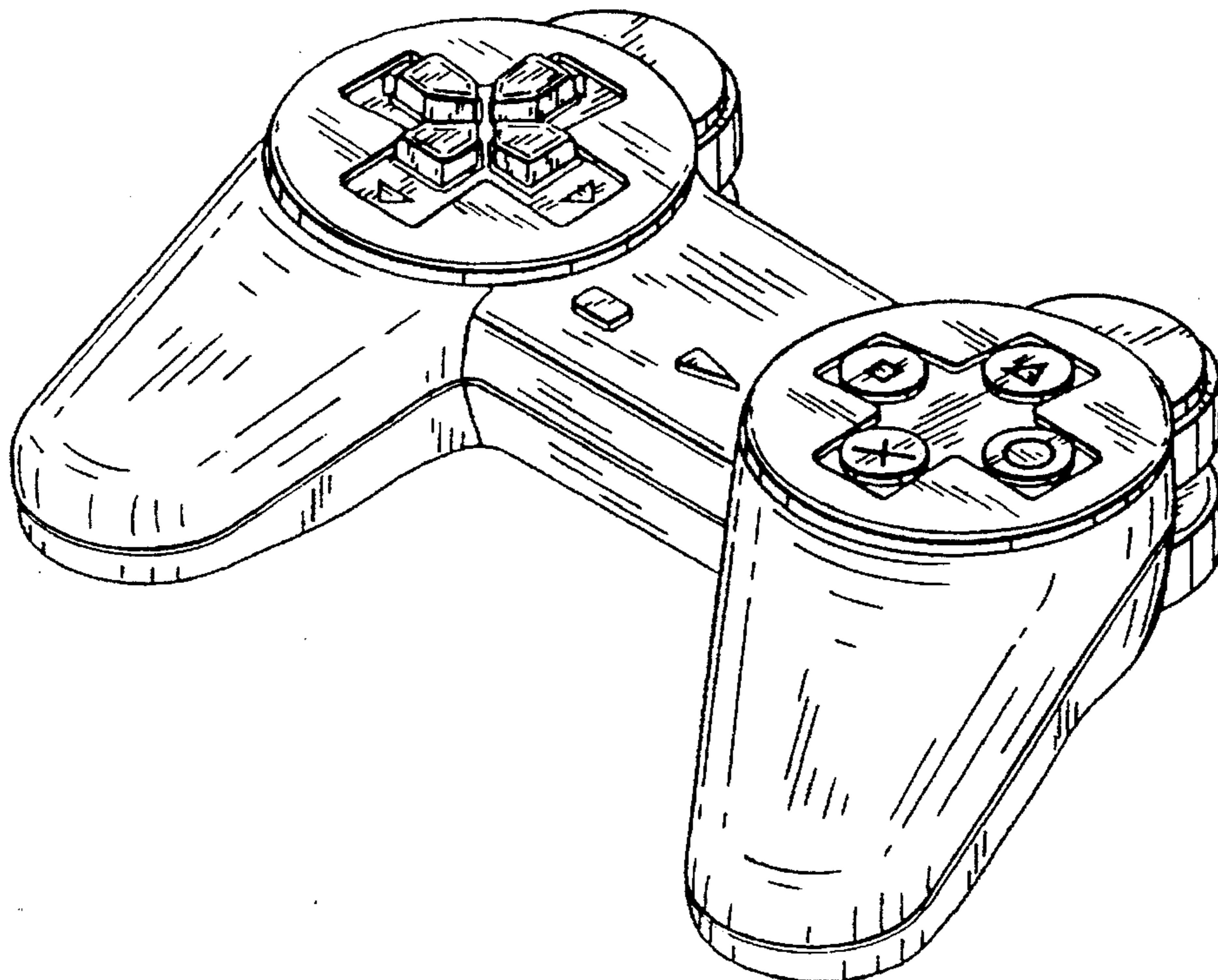


FIG. 35

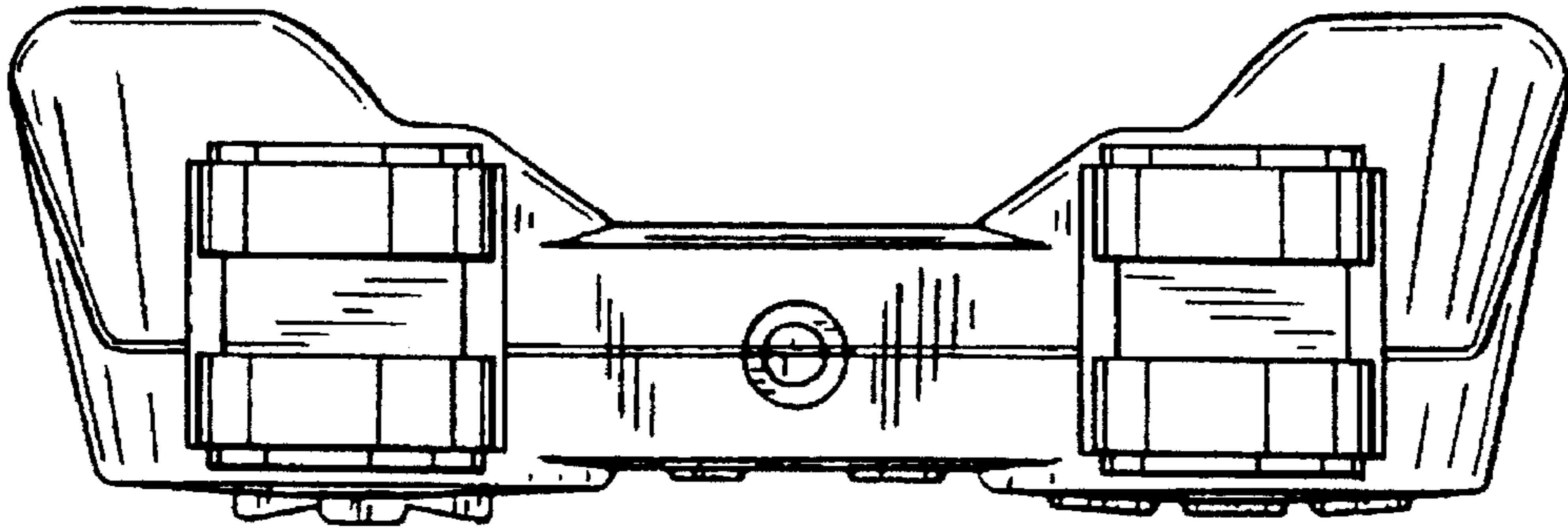


FIG. 37

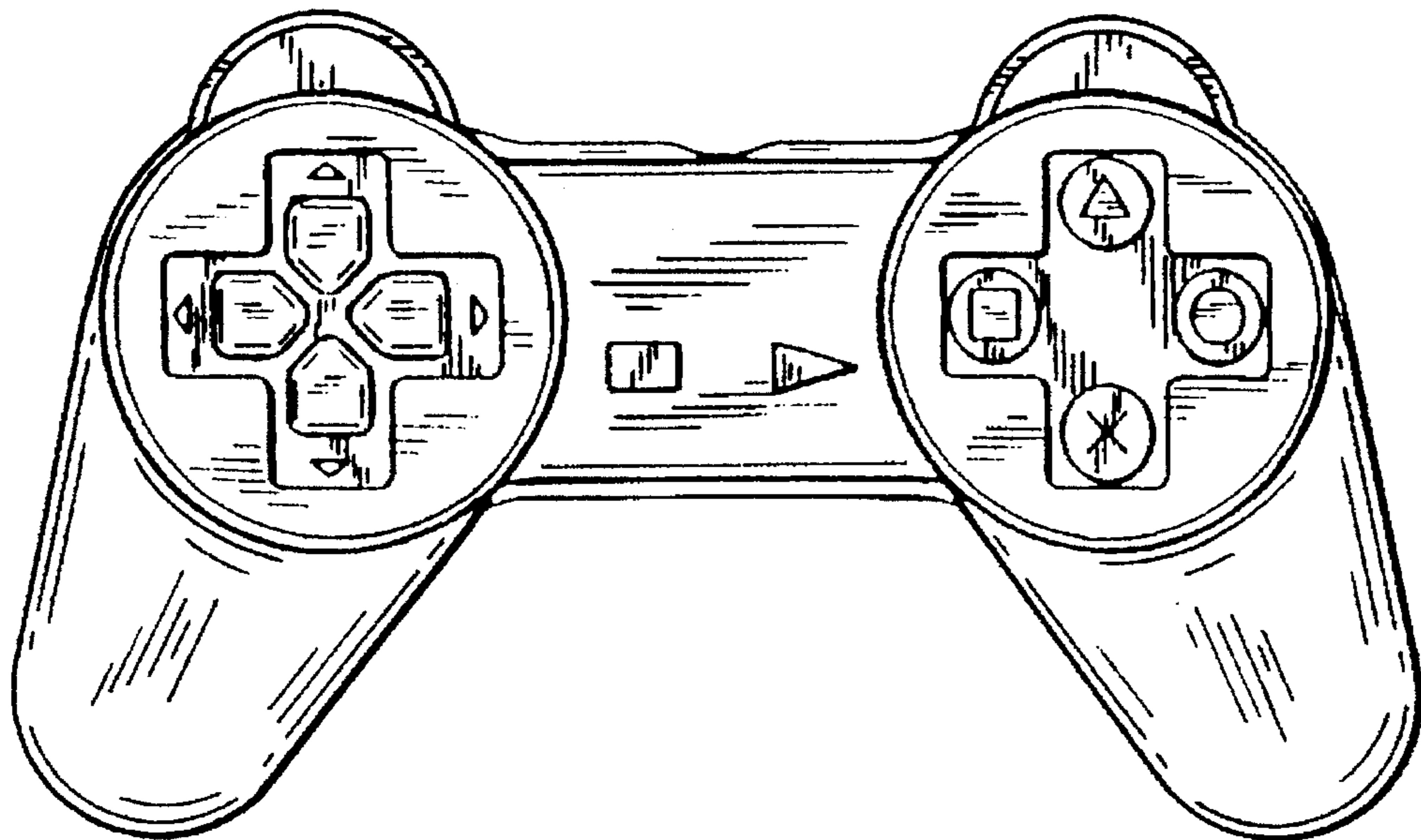


FIG. 36

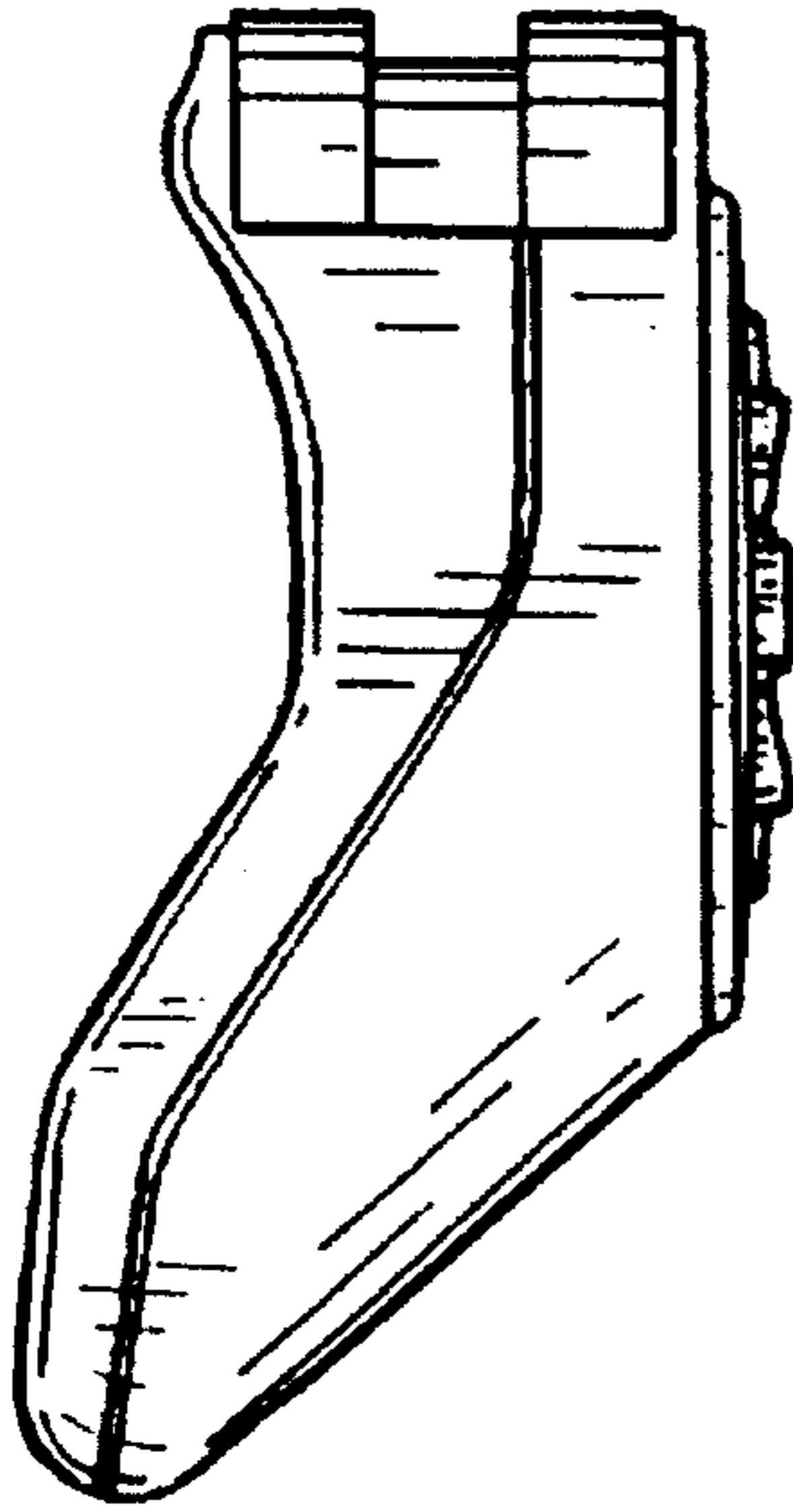


FIG. 38

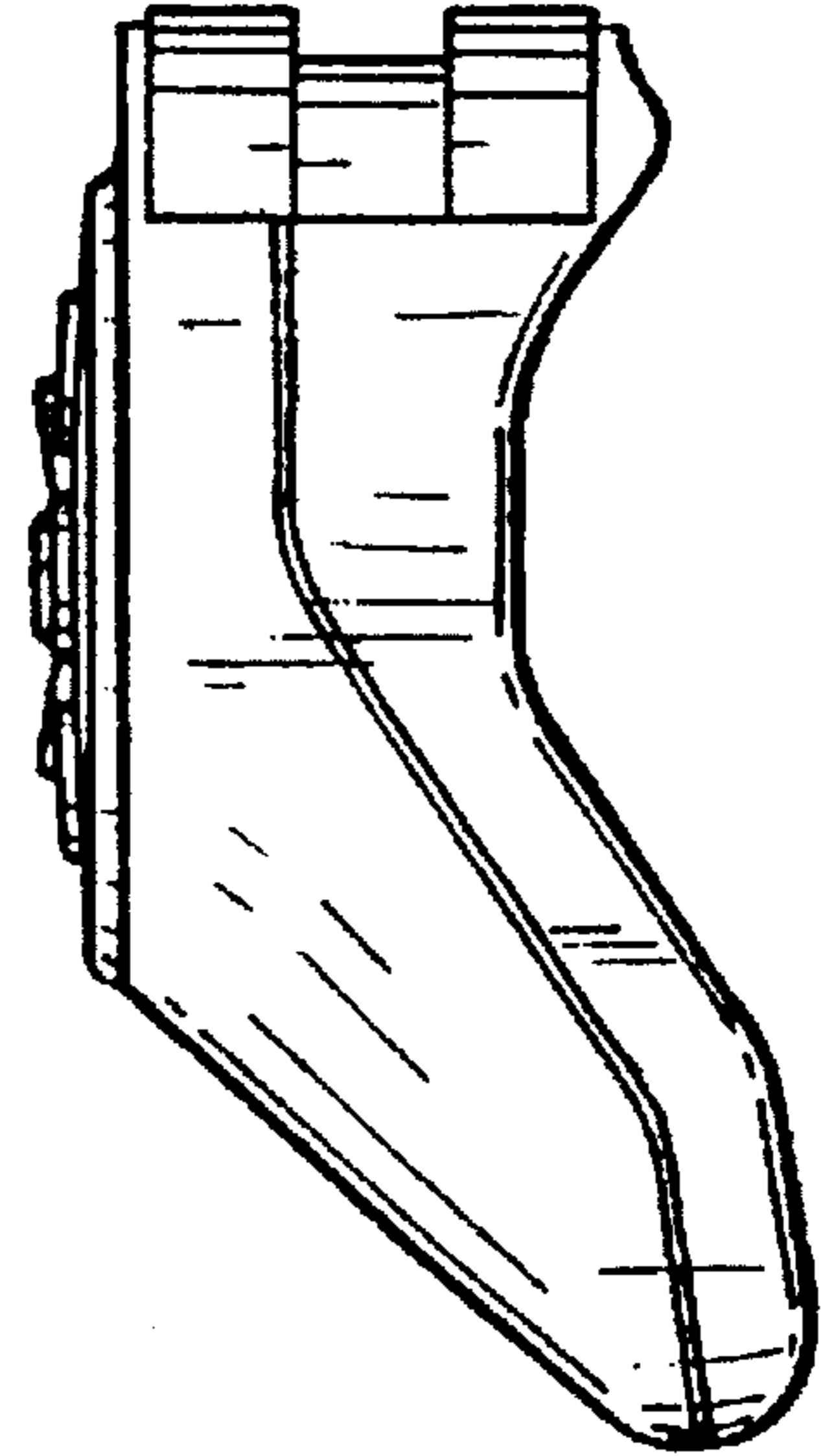


FIG. 39

