



US00D382601S

# United States Patent [19]

[11] Patent Number: Des. 382,601

Antill

[45] Date of Patent: \*\*Aug. 19, 1997

[54] **TOSSING AND PUTTING GAME**

[76] Inventor: **Jacob Arthur Antill**, 93 Schley St.,  
Warrenville, S.C. 29851

[\*\*] Term: **14 Years**

4,053,155	10/1977	Williams	273/87 C
4,106,774	8/1978	Seguin	273/245
4,783,075	11/1988	Simjian	473/159
4,968,041	11/1990	Calvo	D21/5 X
5,131,658	7/1992	Granon	273/180
5,431,403	7/1995	Pelz	473/160

[21] Appl. No.: **46,310**

[22] Filed: **Nov. 13, 1995**

[51] LOC (6) Cl. .... **21-01**

[52] U.S. Cl. .... **D21/5; D21/5**

[58] **Field of Search** ..... D21/1-5, 7, 8,  
D21/11, 27; 473/150, 159, 160, 171-174,  
157, 258, 185; 273/176 R, 176 B, 176 F,  
178 R, 179 R, 180

**FOREIGN PATENT DOCUMENTS**

2144995	3/1973	Germany	273/176 F
---------	--------	---------	-----------

*Primary Examiner*—Prabhakar G. Deshmukh  
*Attorney, Agent, or Firm*—John Gugliotta; Dave Volk

[57] **CLAIM**

The ornamental design for a tossing and putting game, as shown and described.

**DESCRIPTION**

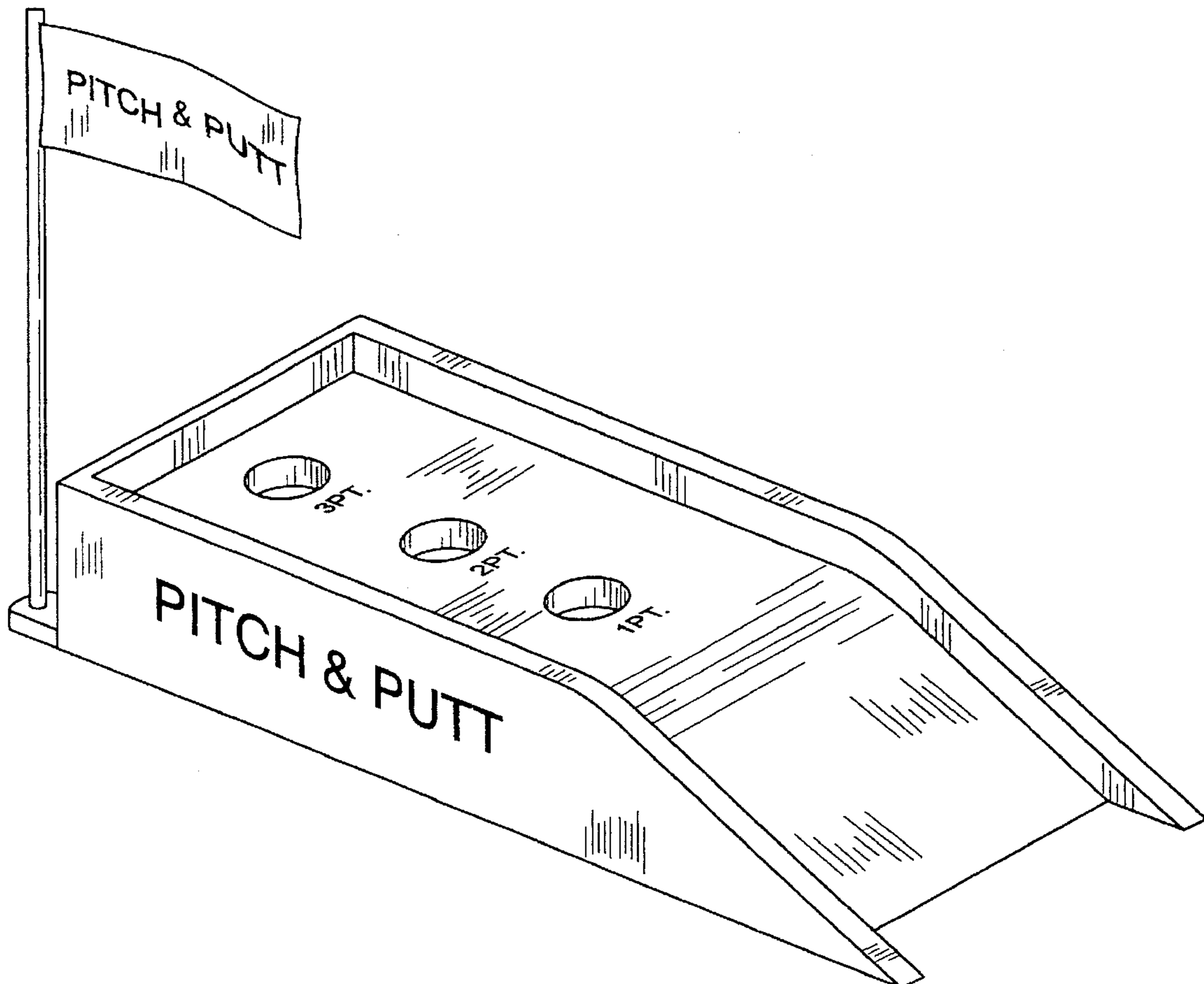
FIG. 1 is a top and side perspective view of a tossing and putting game showing my new design;  
FIG. 2 is a left side elevational view thereof;  
FIG. 3 is a right side elevational view thereof;  
FIG. 4 is a top plan view thereof;  
FIG. 5 is a front elevational view thereof; and,  
FIG. 6 is a rear elevational view thereof.

[56] **References Cited**

**U.S. PATENT DOCUMENTS**

D. 83,050	1/1931	Lagaard	D21/8
D. 187,538	3/1960	Lasting	D21/8
D. 263,725	4/1982	Booth	D21/27
D. 299,661	1/1989	Hanken	D21/27
D. 311,216	10/1990	Simjian	D21/8
D. 316,120	4/1991	Morris et al.	D21/8
D. 326,480	5/1992	Scott	D21/11
3,476,076	11/1969	McDougall, Jr.	473/185 X

**1 Claim, 3 Drawing Sheets**



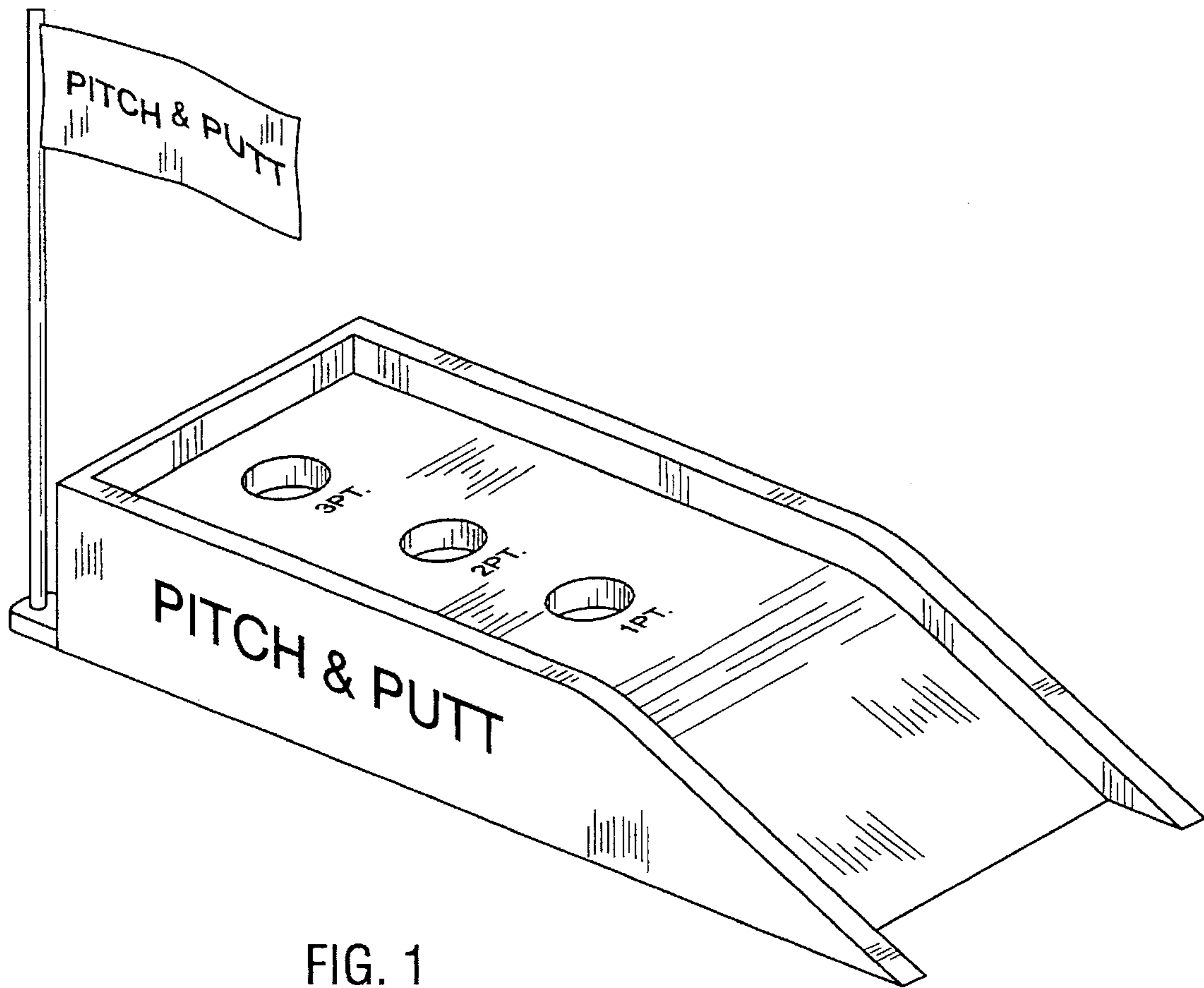


FIG. 1

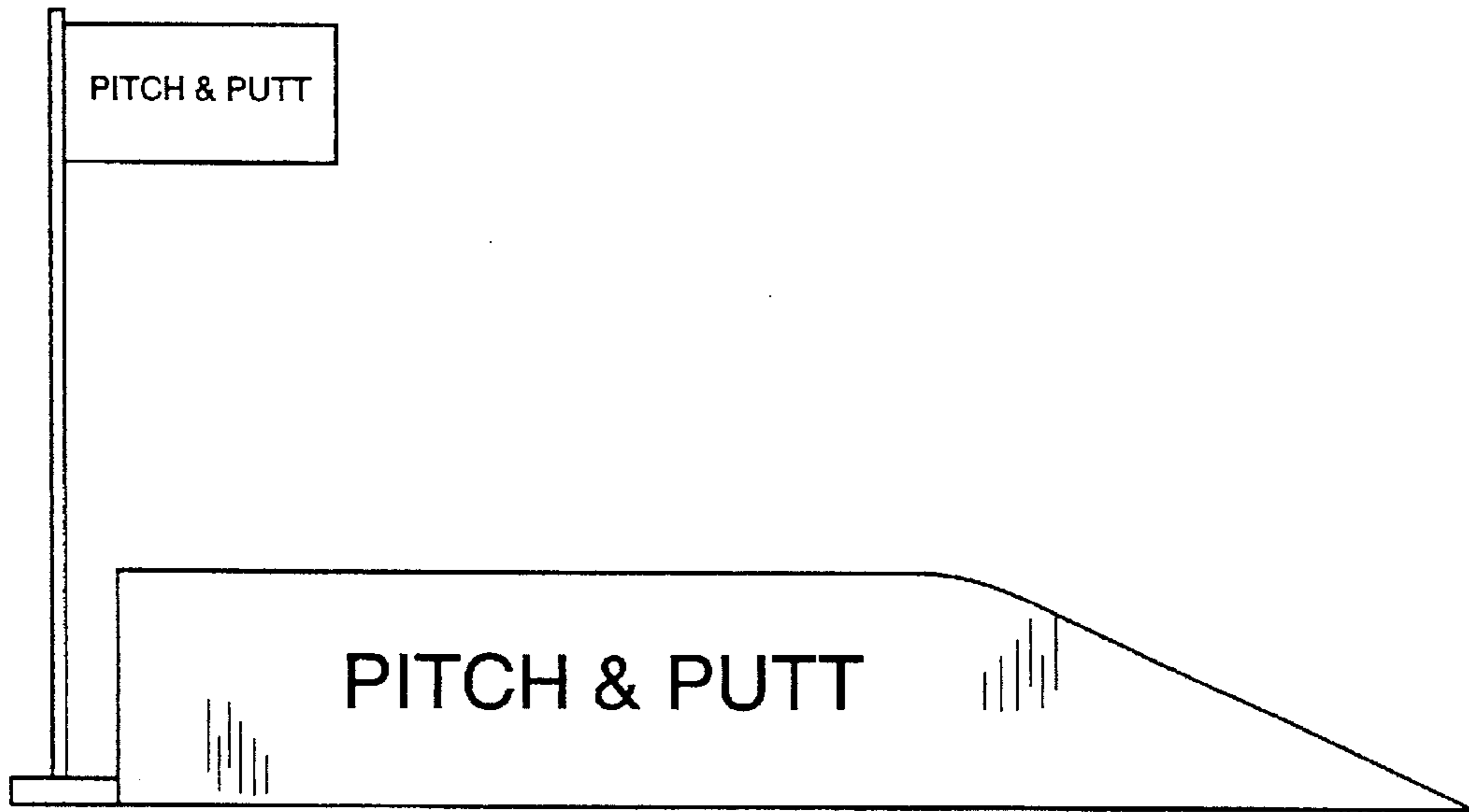


FIG. 2

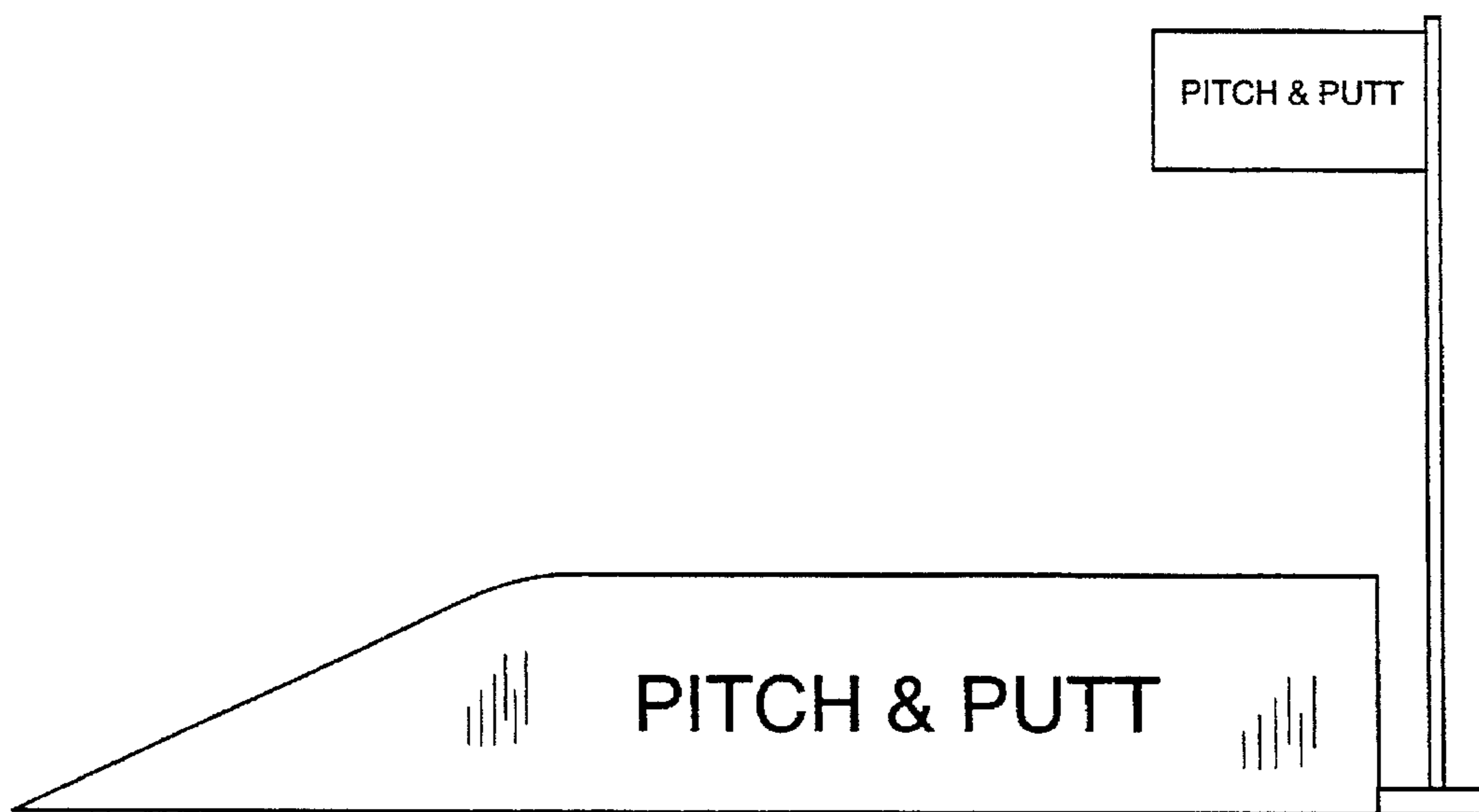


FIG. 3

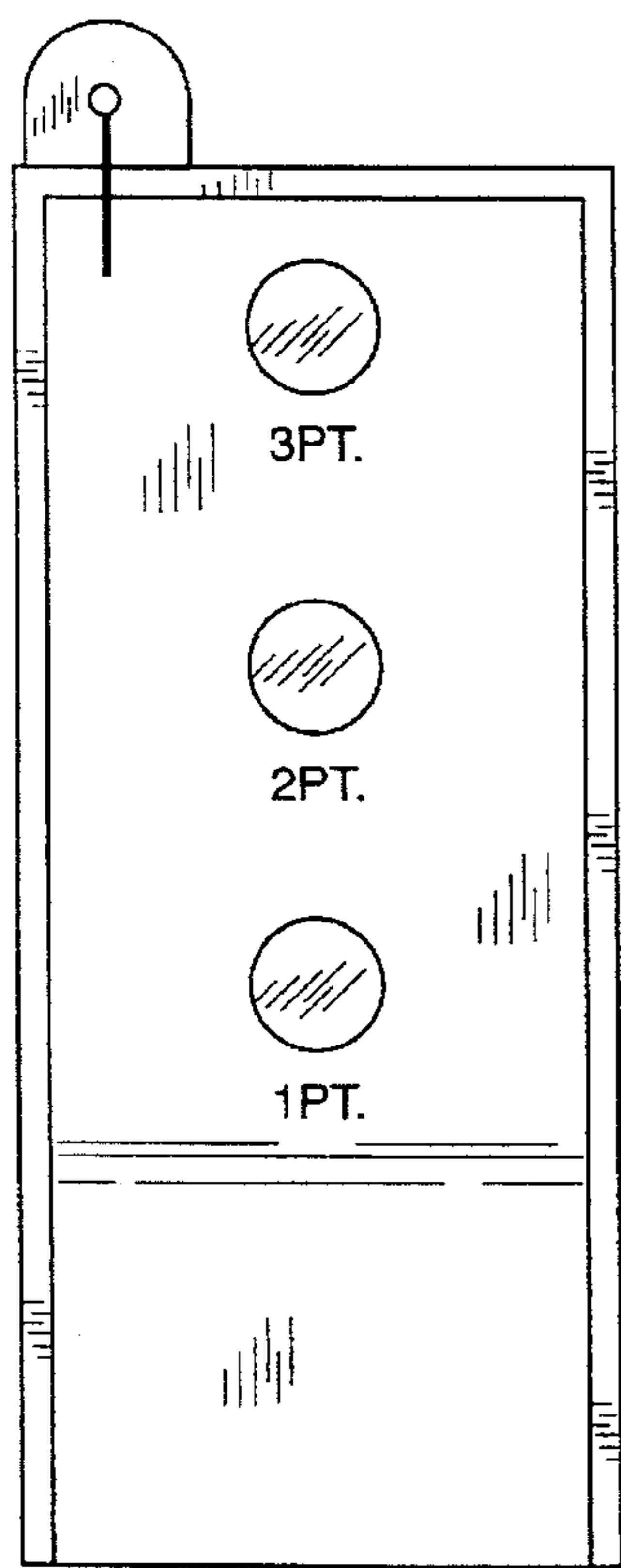


FIG. 4

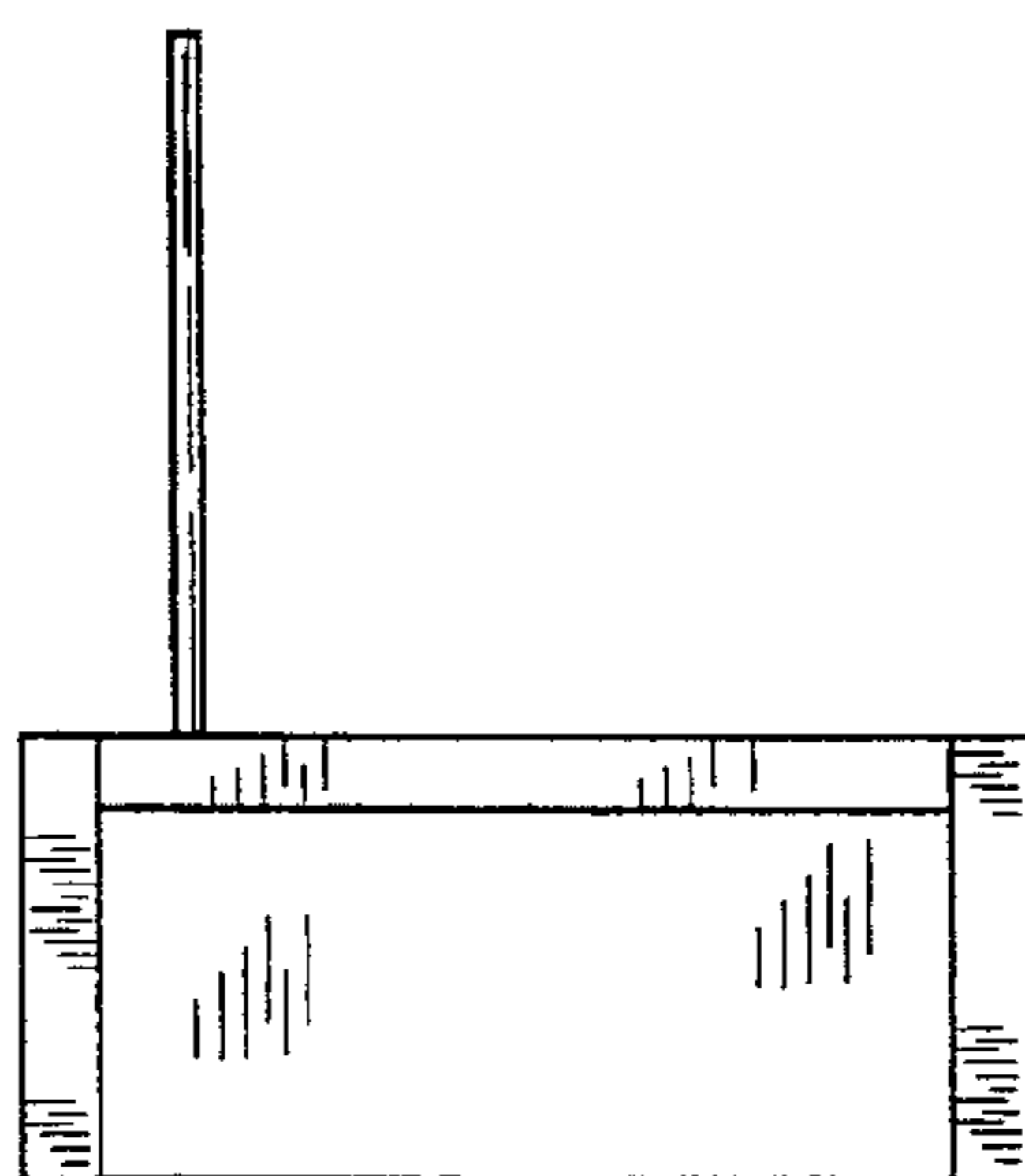


FIG. 5

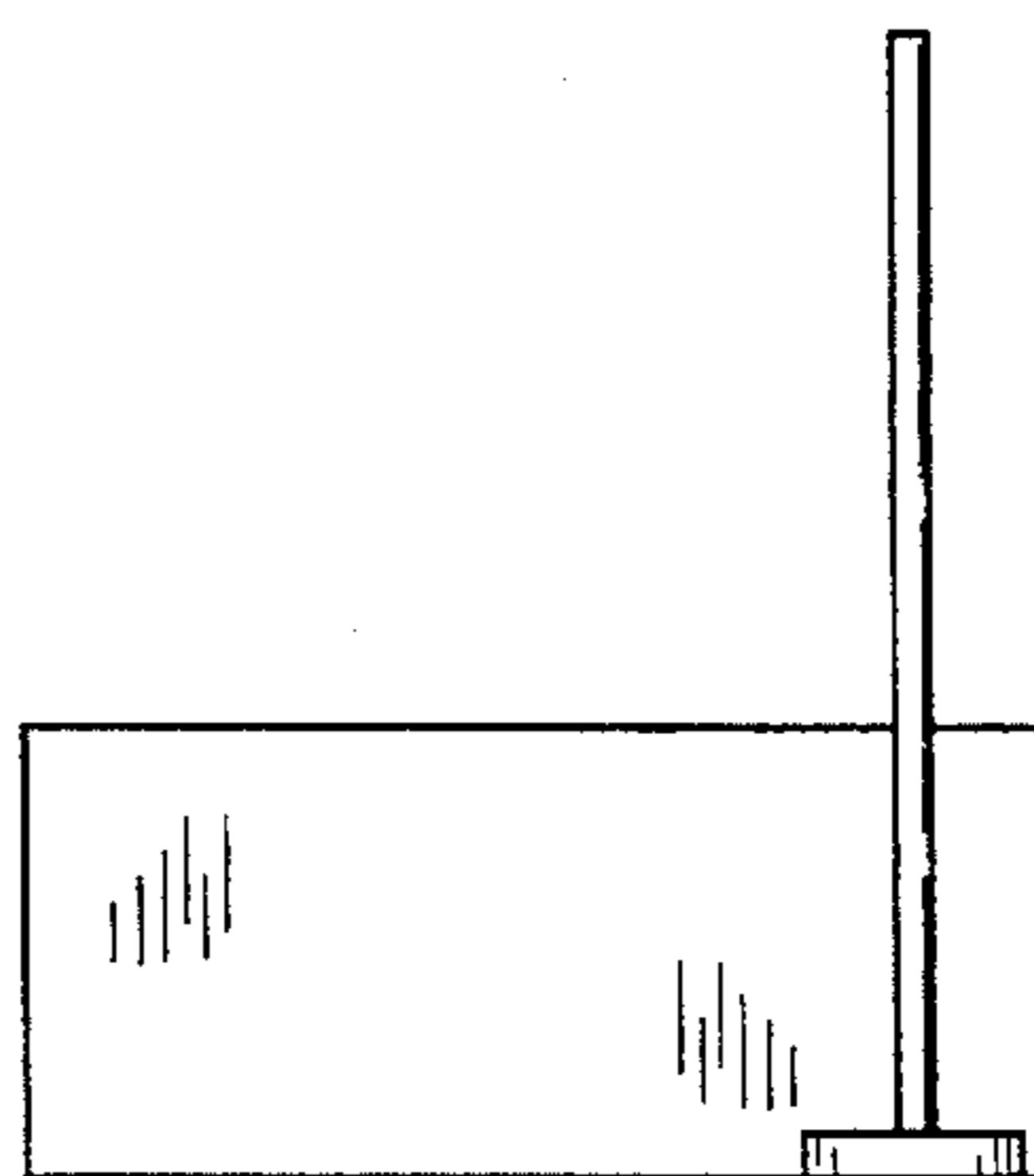


FIG. 6