



US00D382600S

**United States Patent** [19]

[11] **Patent Number: Des. 382,600**

**Wu**

[45] **Date of Patent: \*\*Aug. 19, 1997**

[54] **DART BOARD**

[76] **Inventor: Ta-Chiang Wu**, P.O. Box 1032, Tainan, Taiwan

[\*\*] **Term: 14 Years**

[21] **Appl. No.: 51,560**

[22] **Filed: Mar. 13, 1996**

[51] **LOC (6) Cl. .... 21-01**

[52] **U.S. Cl. .... D21/6**

[58] **Field of Search .... D21/5, 6, 14-36; 273/236-285, 348, 408, 416, 420**

[56] **References Cited**

**U.S. PATENT DOCUMENTS**

- D. 365,601 12/1995 Wu ..... D21/6
- 4,057,251 11/1977 Jones et al. .... 273/408
- 5,401,033 3/1995 Lychock, Jr. .... D21/6

**FOREIGN PATENT DOCUMENTS**

- 2273665 6/1994 United Kingdom ..... 273/408

**OTHER PUBLICATIONS**

- Playthings Sep. 1992 p. 38 "Auto Score Darts", right.
- Washington Post Hermans Circular, p. 8 Sportcraft Electronic Dart Scorer.
- USAA Buying Services Collection, p. 35 Dart Master Electronic Dart Game.

*Primary Examiner*—Sandra L. Morris

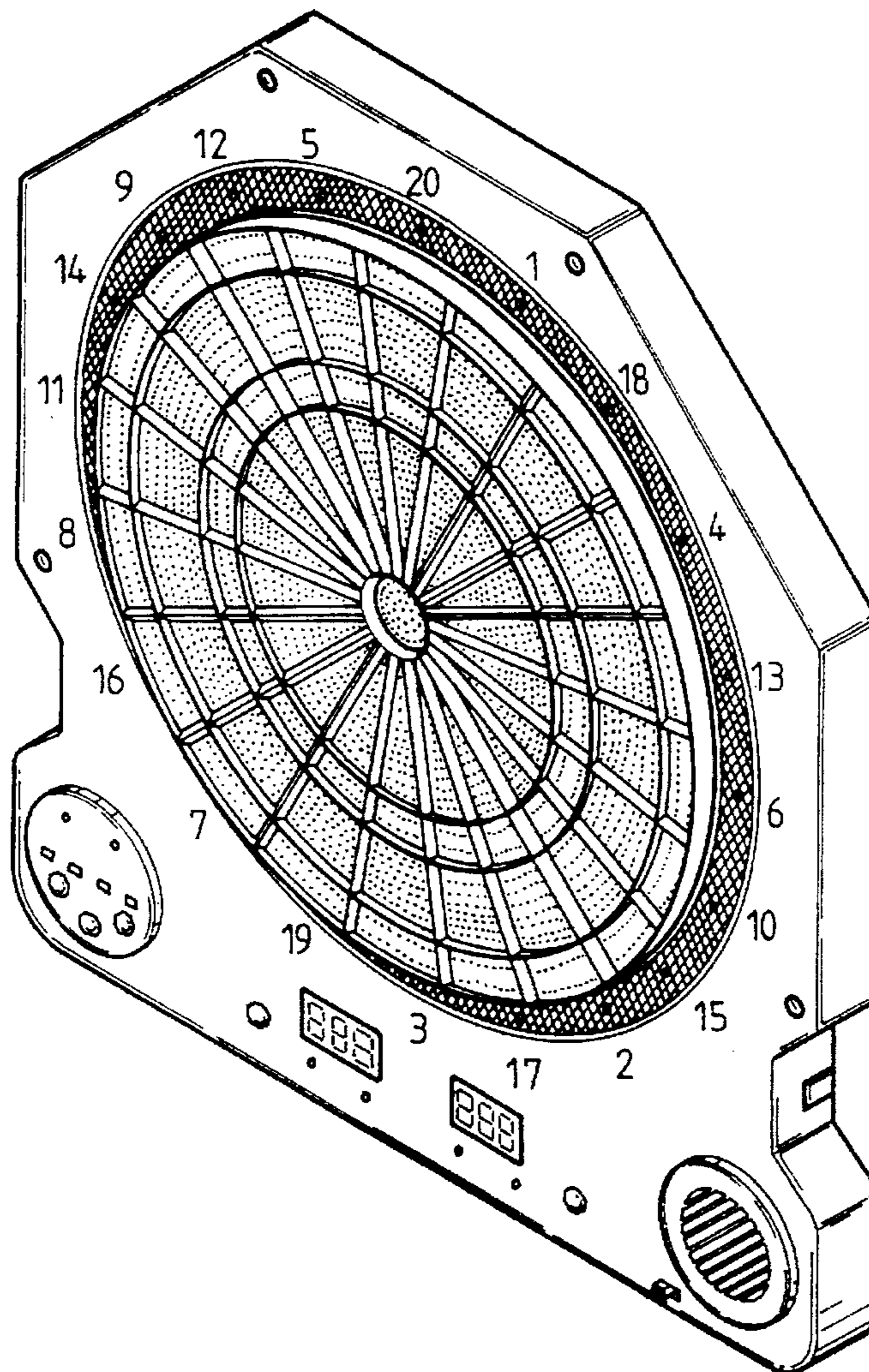
[57] **CLAIM**

The ornamental design for a dart board, as shown.

**DESCRIPTION**

FIG. 1 is a perspective view of a dartboard showing my new design;  
 FIG. 2 is a front elevational view thereof;  
 FIG. 3 is a rear elevational view thereof;  
 FIG. 4 is a left elevational view thereof;  
 FIG. 5 is a right elevational view thereof;  
 FIG. 6 is a top plan view thereof; and,  
 FIG. 7 is a bottom plan view.

**1 Claim, 3 Drawing Sheets**





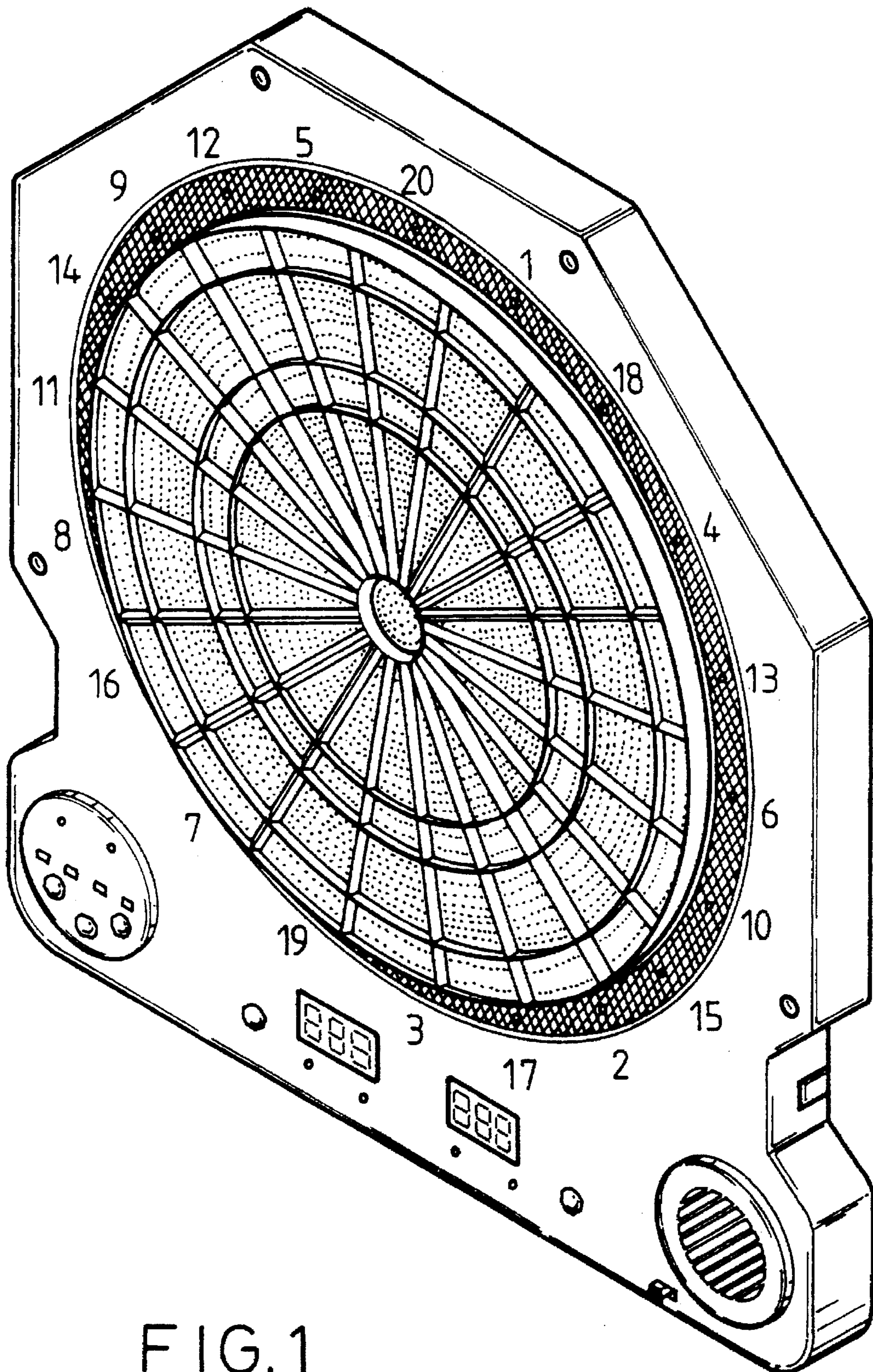


FIG. 1

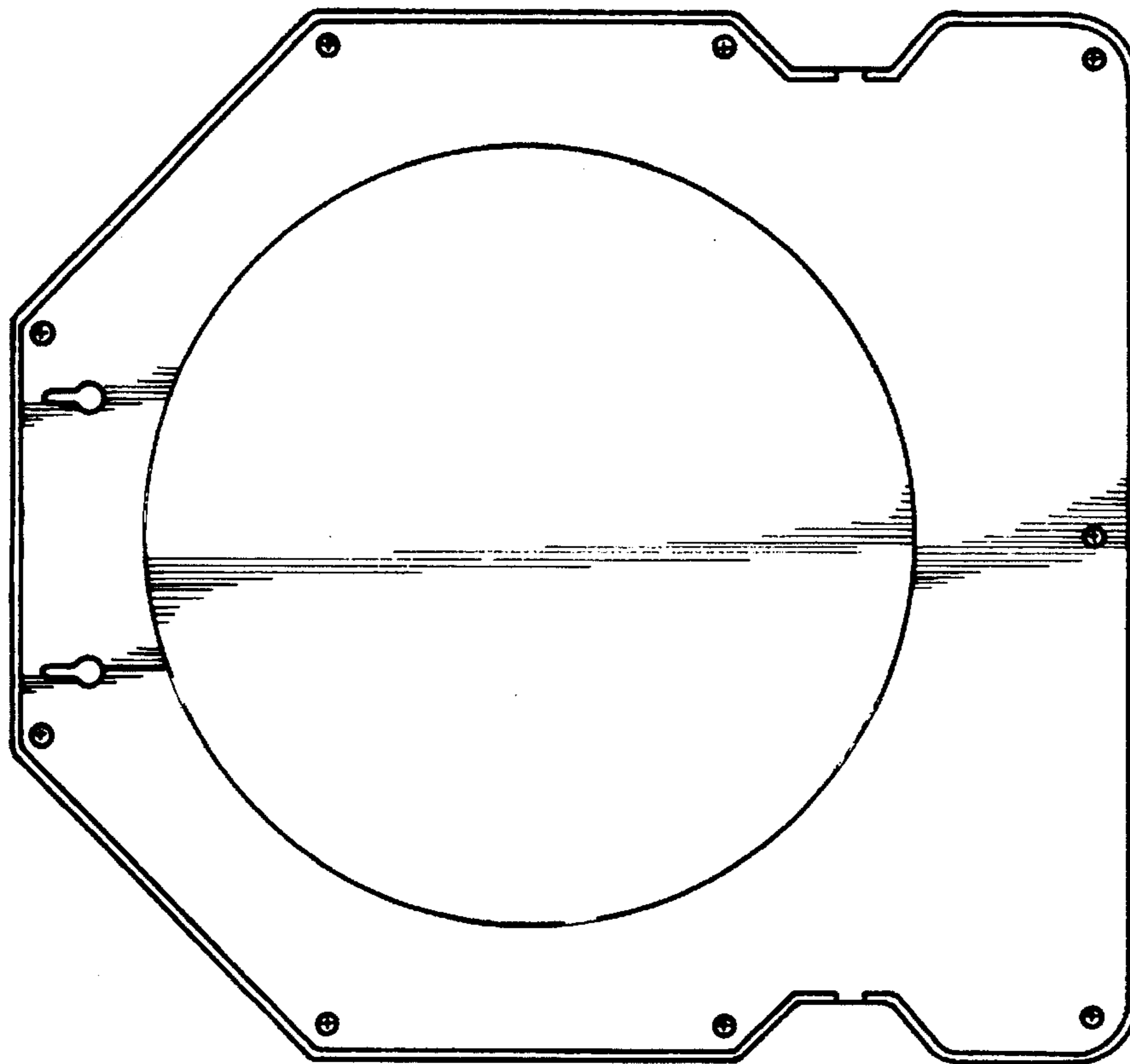


FIG. 3

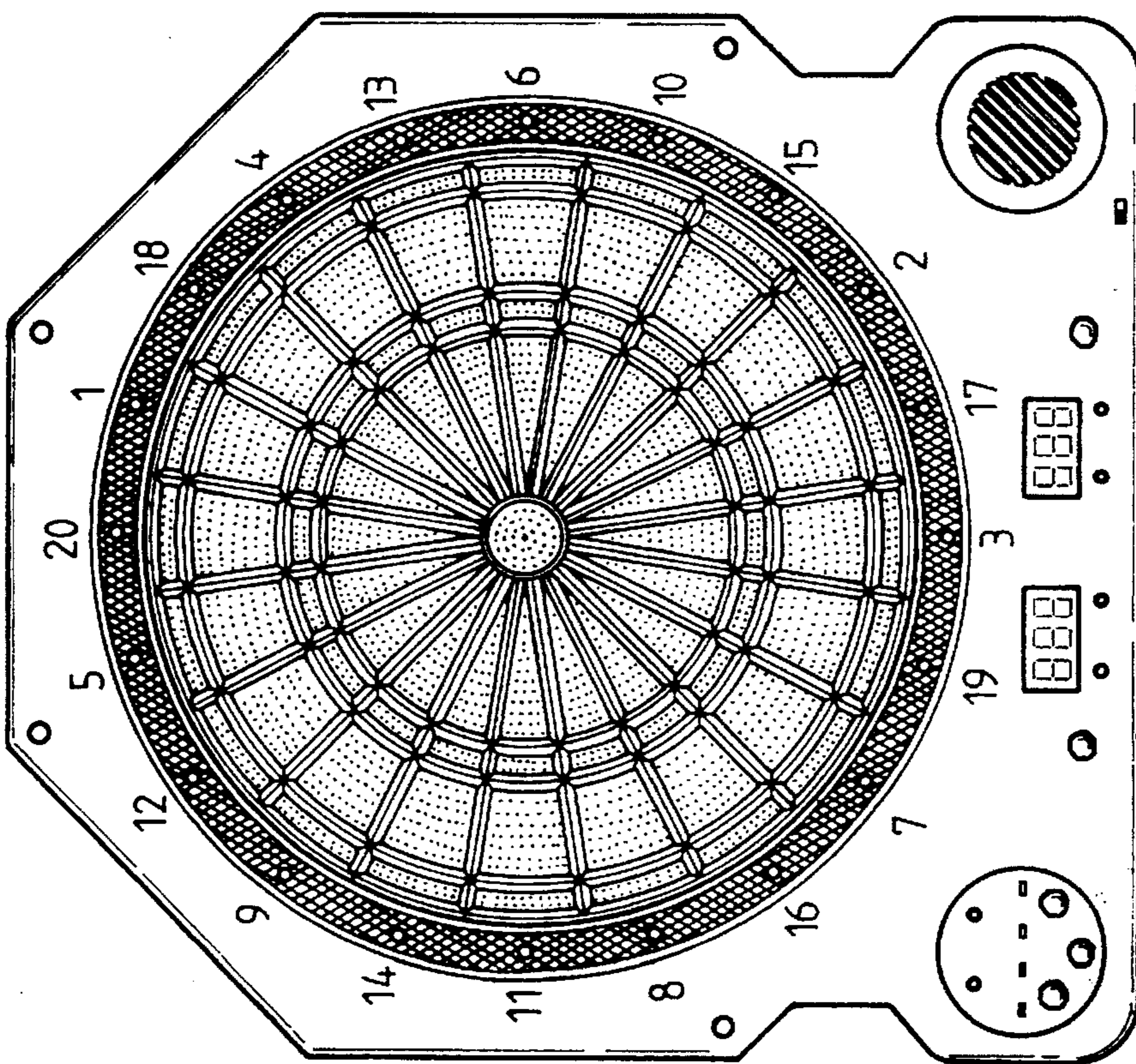


FIG. 2



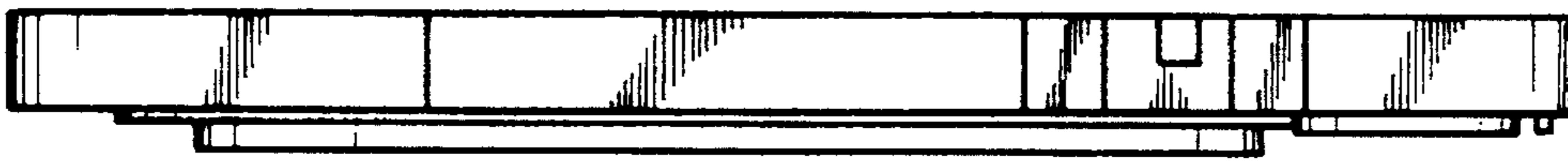


FIG. 5

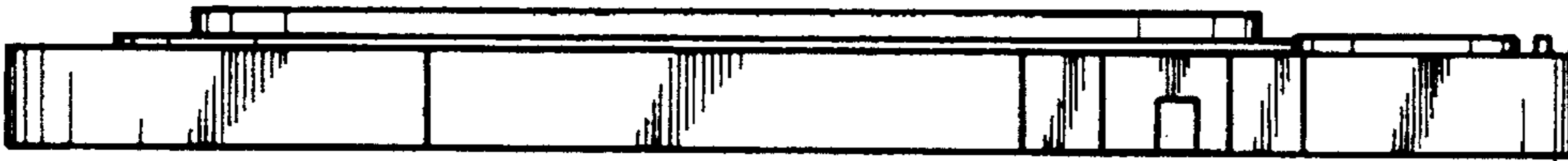


FIG. 4



FIG. 6



FIG. 7