



US00D382599S

United States Patent [19]
Starrett

[11] **Patent Number: Des. 382,599**
[45] **Date of Patent: **Aug. 19, 1997**

[54] **ARCHERY TARGET**
[75] **Inventor: Kenneth E. Starrett, Arlington, Tex.**
[73] **Assignee: American Excelsior Company, Arlington, Tex.**
[**] **Term: 14 Years**
[21] **Appl. No.: 46,796**
[22] **Filed: Oct. 13, 1995**
[51] **LOC (6) Cl. 21-01**
[52] **U.S. Cl. D21/5; D21/6**
[58] **Field of Search D21/1, 5, 6, 11, D21/49; 273/407, 348, 398-402, 408, 409, 416; 463/49**

4,915,384 4/1990 Bear .
4,915,387 4/1990 Baxstrom .
5,125,669 6/1992 Kanda .
5,280,920 1/1994 Knapper, II 273/407

OTHER PUBLICATIONS

Sears X'mas Cat 1969, p. 407.
Brochure regarding U.S. Patent No. 4,042,240 entitled "The Promat—The Only Archery Target of Its Kind," Impact Industries, Inc., 1990 7 pages.

Primary Examiner—Prabhakar G. Deshmukh
Attorney, Agent, or Firm—Jenkins & Gilchrist, a Professional Corporation

[57] **CLAIM**

The ornamental design for the archery target, as shown and described.

DESCRIPTION

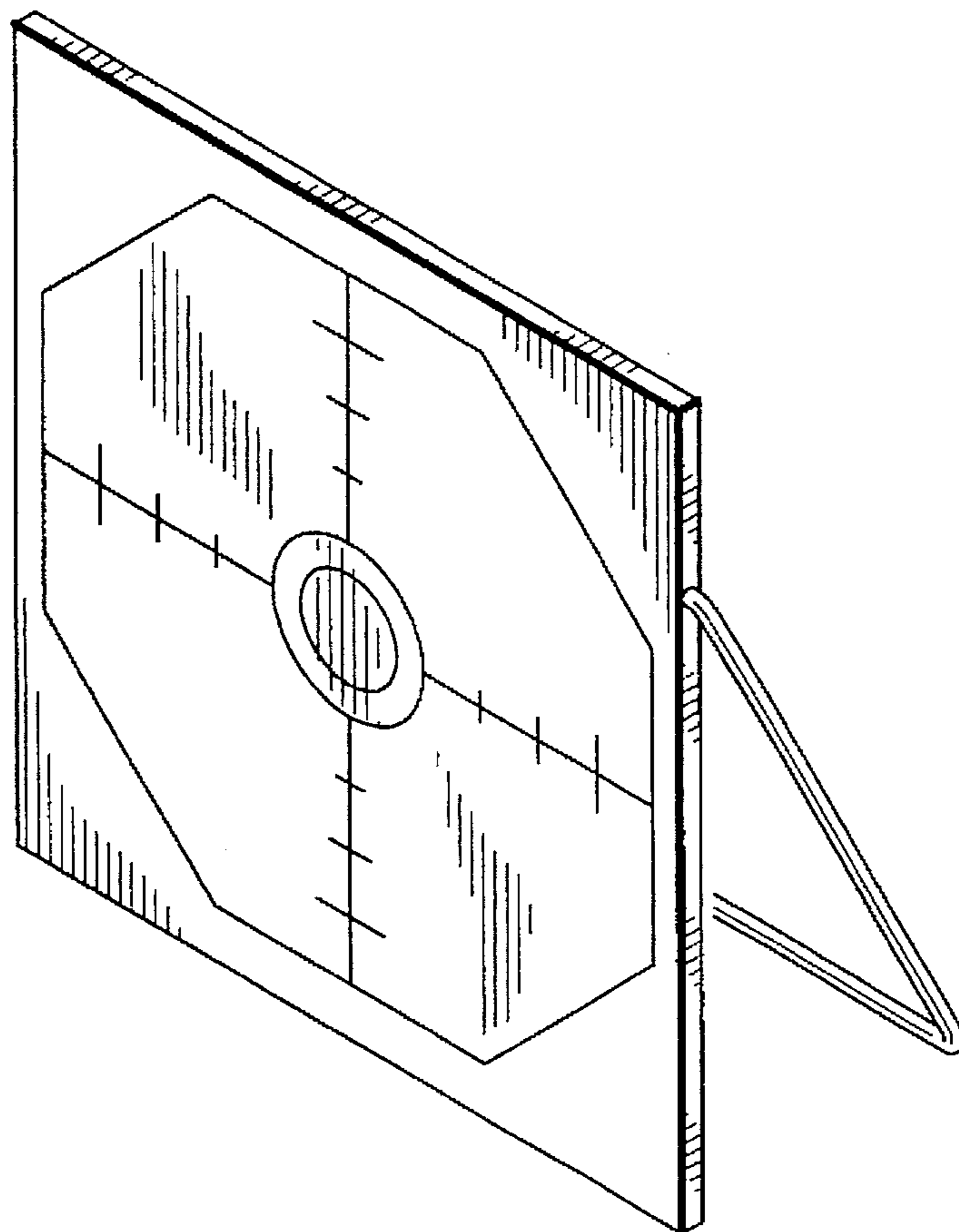
FIG. 1 is a perspective view of the archery target;
FIG. 2 is a side elevational view of the archery target taken from the right side thereof, which is a mirror image of the side elevational view taken from the left side thereof;
FIG. 3 is a rear elevational view of the archery target;
FIG. 4 is a top plan view of the archery target which is a mirror image of the bottom plan view; and,
FIG. 5 is a front elevational view of the archery target.

1 Claim, 1 Drawing Sheet

[56] **References Cited**

U.S. PATENT DOCUMENTS

D. 325,937	5/1992	Fagan	D21/6
D. 329,665	9/1992	Carroll	D21/5
D. 330,920	11/1992	Schaefer et al.	D21/5
D. 333,683	3/1993	Trachet	D21/5
613,386	11/1898	McKenney	D21/5 X
2,039,352	5/1936	Ross	273/407
2,770,460	11/1956	Deasy	273/407 X
3,088,738	5/1963	Meyer	273/407 X
4,248,431	2/1981	Burnes



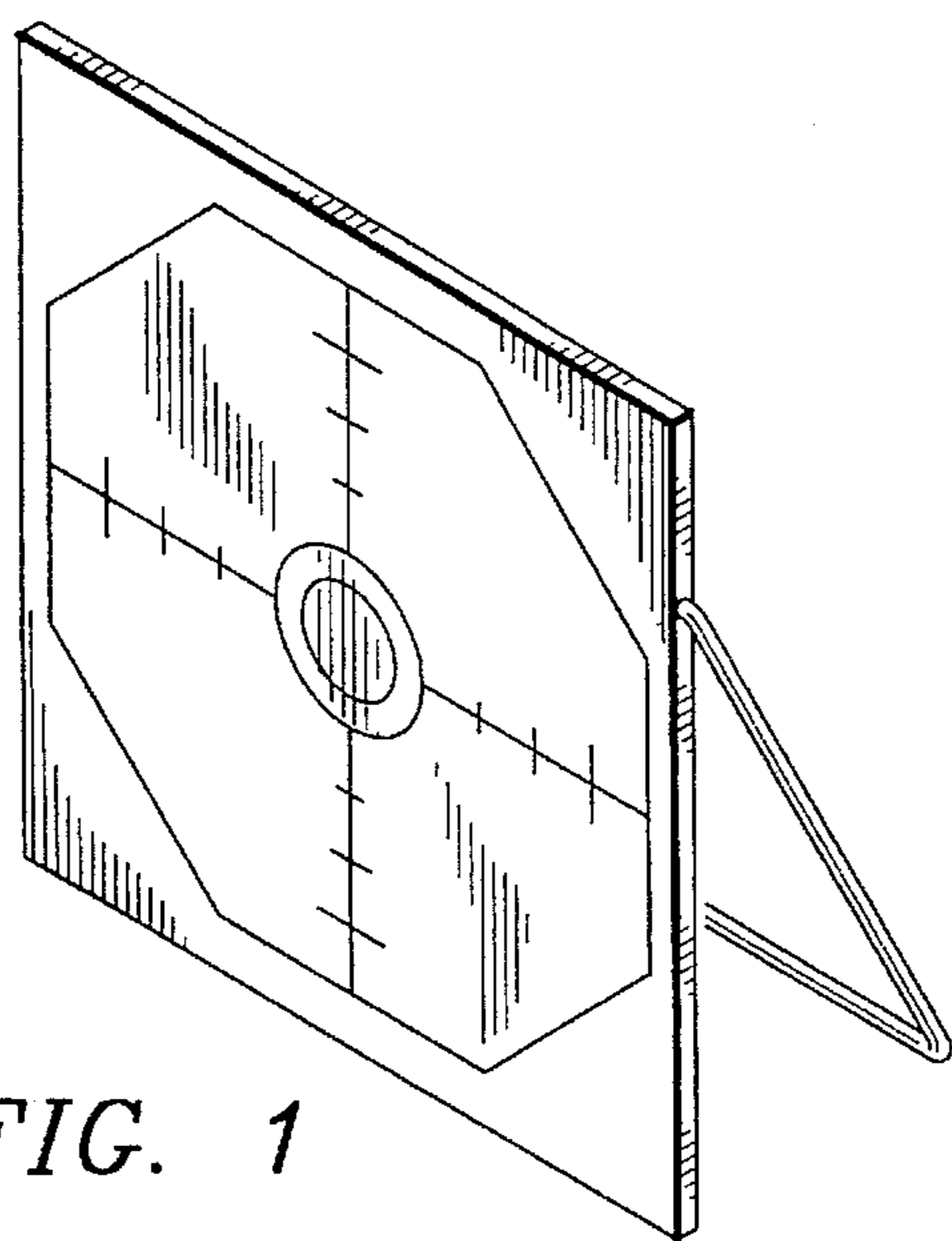


FIG. 1

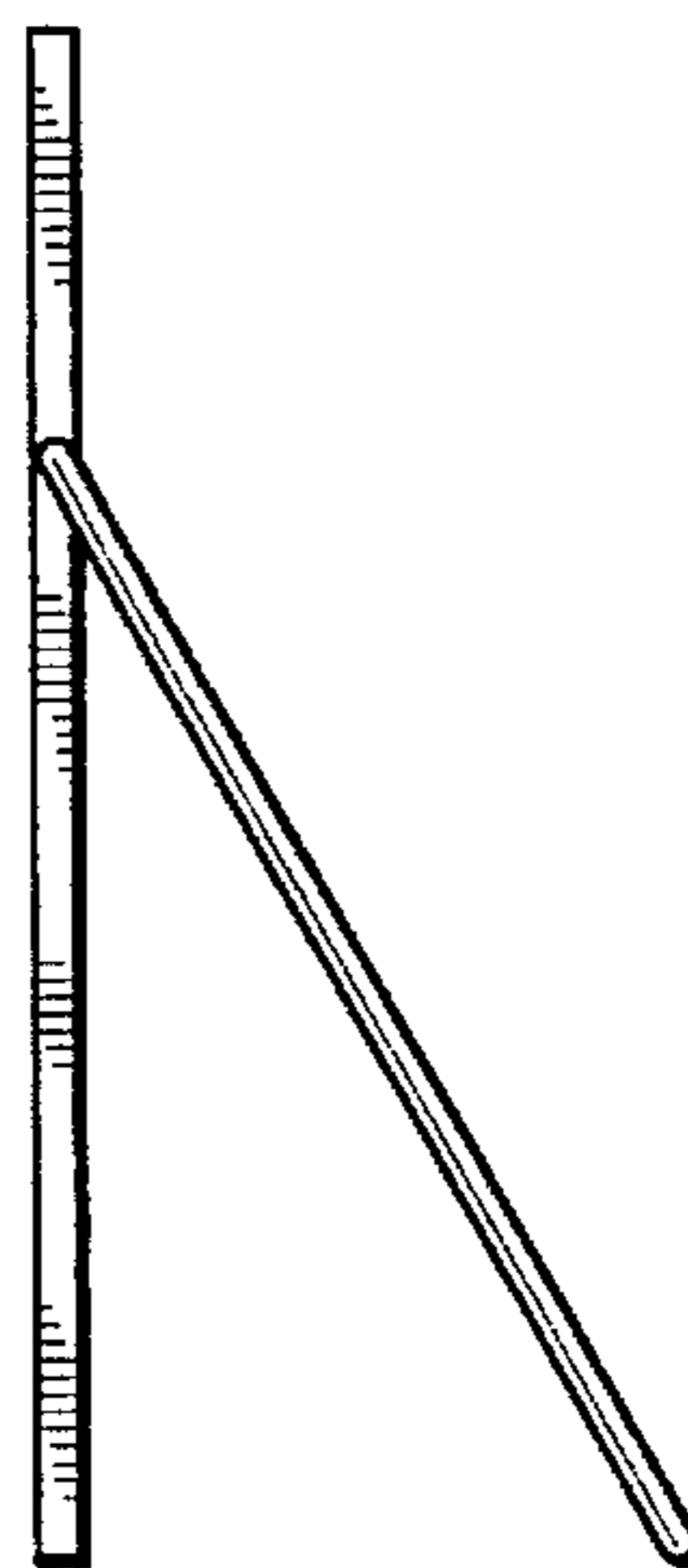


FIG. 2

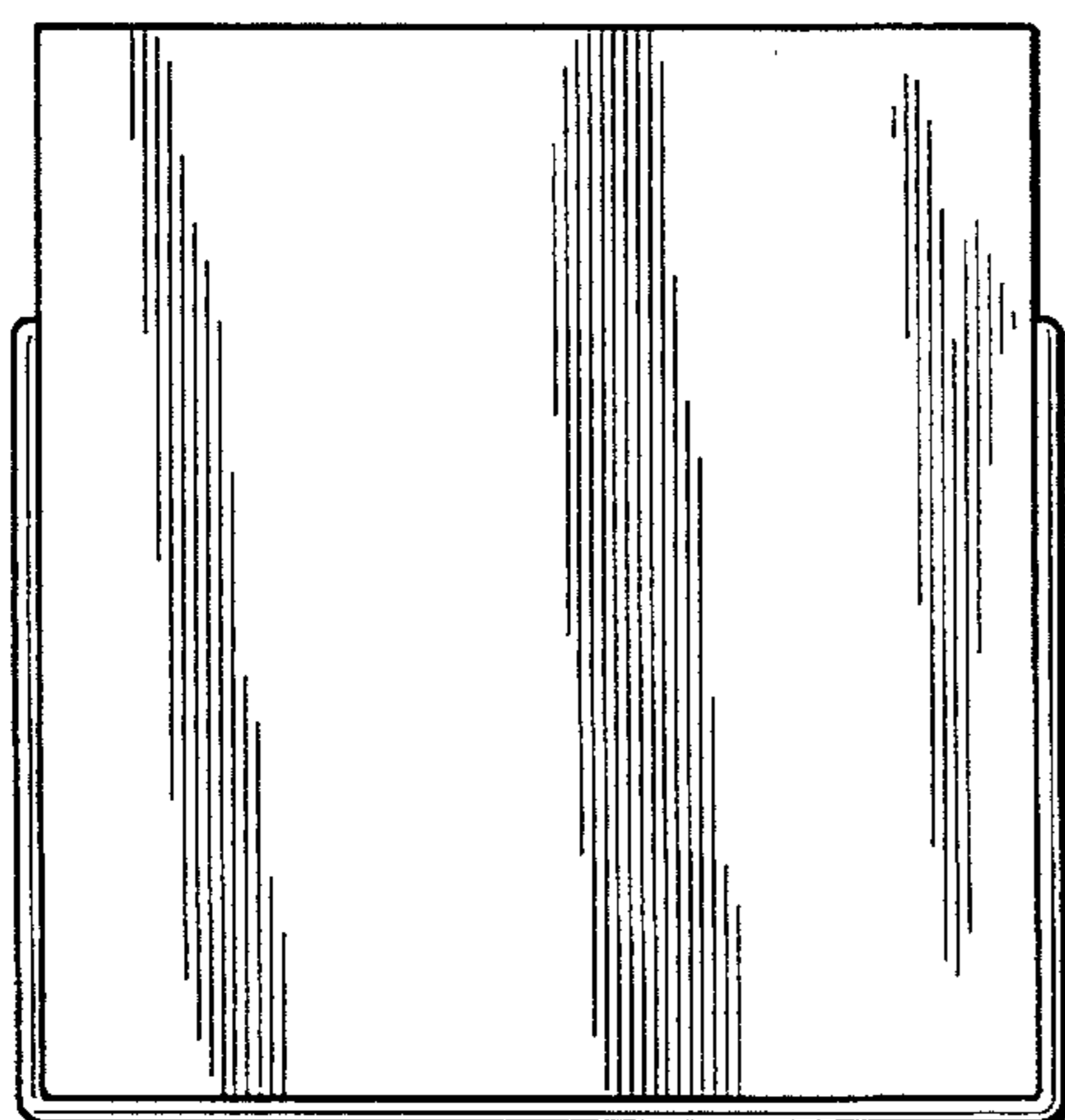


FIG. 3

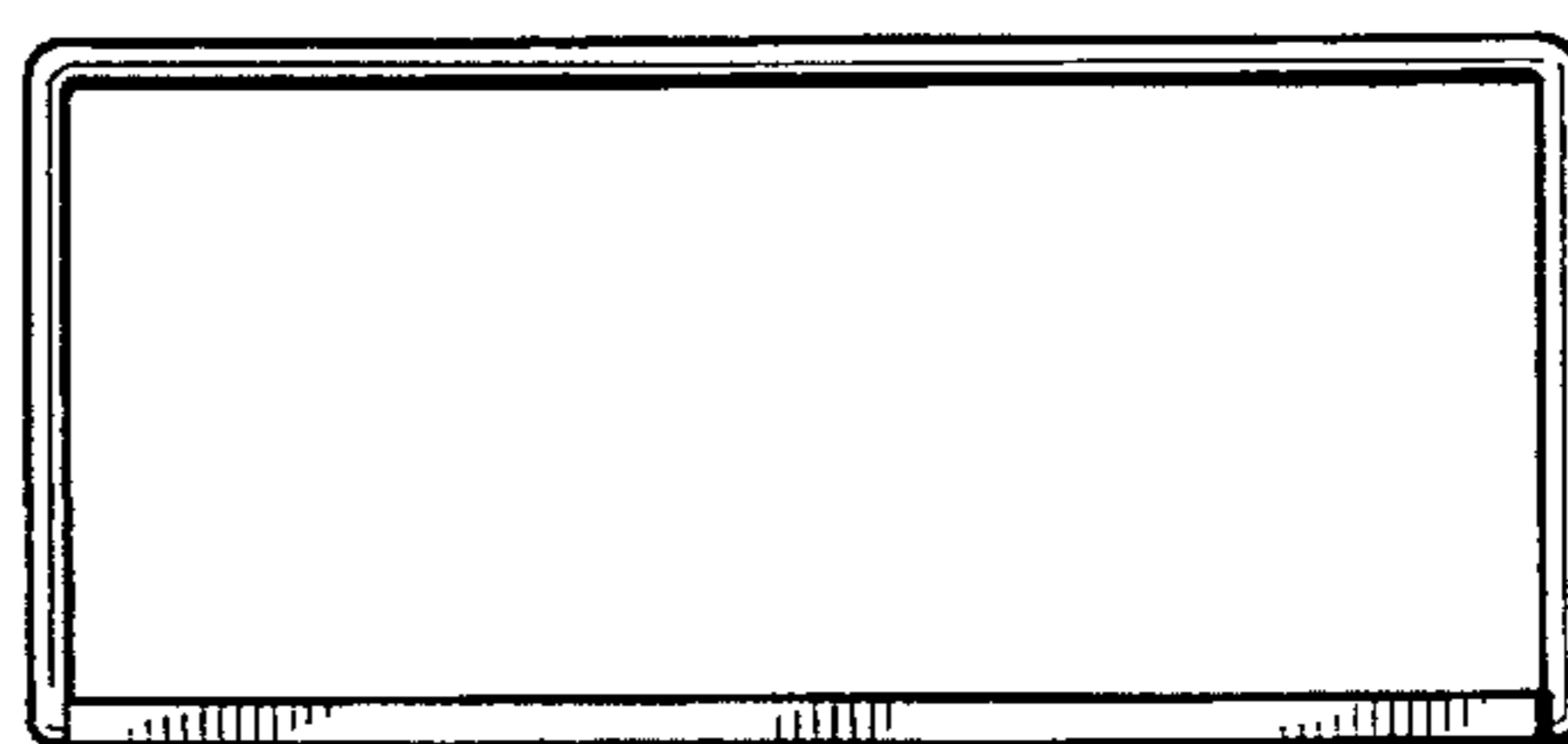


FIG. 4

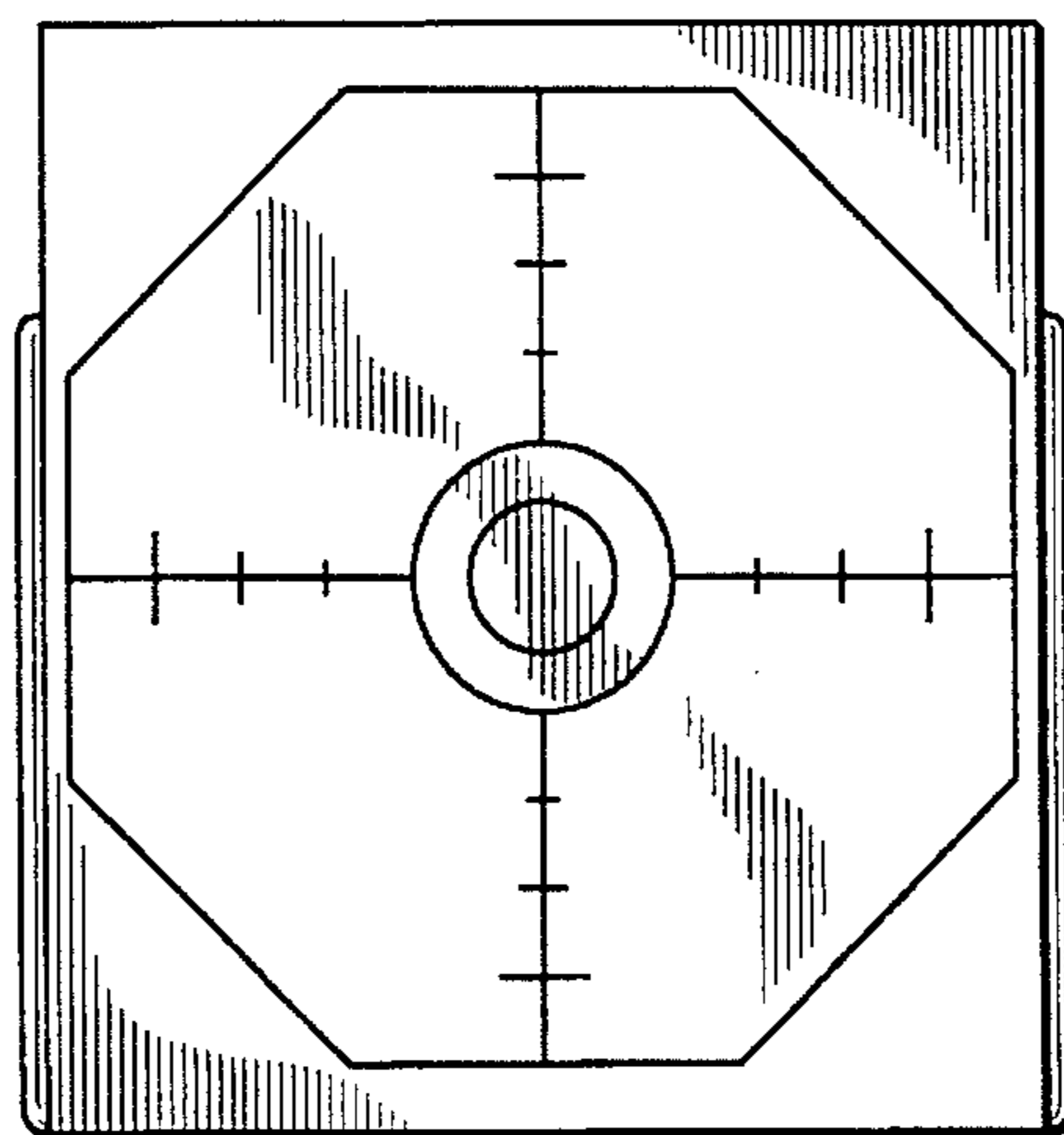


FIG. 5