



US00D382598S

# United States Patent [19]

[11] Patent Number: Des. 382,598

Schroepfel

[45] Date of Patent: \*\*Aug. 19, 1997

## [54] BUMPER STICKER HOLDER

## FOREIGN PATENT DOCUMENTS

[76] Inventor: **Julie A. Schroepfel**, P.O. Box 52,  
Francestown, N.H. 03043

2235803 3/1991 United Kingdom .  
2260214 4/1993 United Kingdom .

[\*\*] Term: **14 Years**

*Primary Examiner*—Susan J. Lucas  
*Assistant Examiner*—Jennifer A. Register  
*Attorney, Agent, or Firm*—Richard C. Litman

[21] Appl. No.: **43,086**

## [57] CLAIM

[22] Filed: **Aug. 25, 1995**

The ornamental design for a bumper sticker holder, as shown and described.

[51] LOC (6) Cl. .... **20-02**

[52] U.S. Cl. .... **D20/42**

[58] Field of Search ..... D20/40, 42, 43;  
40/597, 567, 642, 657, 661; 211/50

## DESCRIPTION

## [56] References Cited

FIG. 1 is an environmental perspective view of a bumper sticker holder showing my new design;  
FIG. 2 is a top plan view thereof;  
FIG. 3 is a front elevational view thereof;  
FIG. 4 is a bottom plan view thereof;  
FIG. 5 is a right side elevational view thereof with the left side being a mirror image thereof;  
FIG. 6 is a rear elevational view thereof; and,  
FIG. 7 is a perspective view thereof.

## U.S. PATENT DOCUMENTS

D. 303,403	9/1989	Barcom	.....	D20/43
D. 336,931	6/1993	McDonald	.....	D20/42
1,856,519	9/1932	Spears	.	
3,086,658	4/1963	Palmer	.....	211/50
4,453,328	6/1984	Connolly	.	
4,707,939	11/1987	Bonner et al.	.	
4,736,539	4/1988	Dickinson	.	
4,953,315	9/1990	Romaine	.	
5,099,594	3/1992	Reas et al.	.	
5,241,768	9/1993	Thompson	.	

The broken line showing of the rear of an automobile and an automobile window in FIG. 1, and the wording and design in FIG. 2, is for illustrative purposes only and forms no part of the claimed design.

**1 Claim, 4 Drawing Sheets**

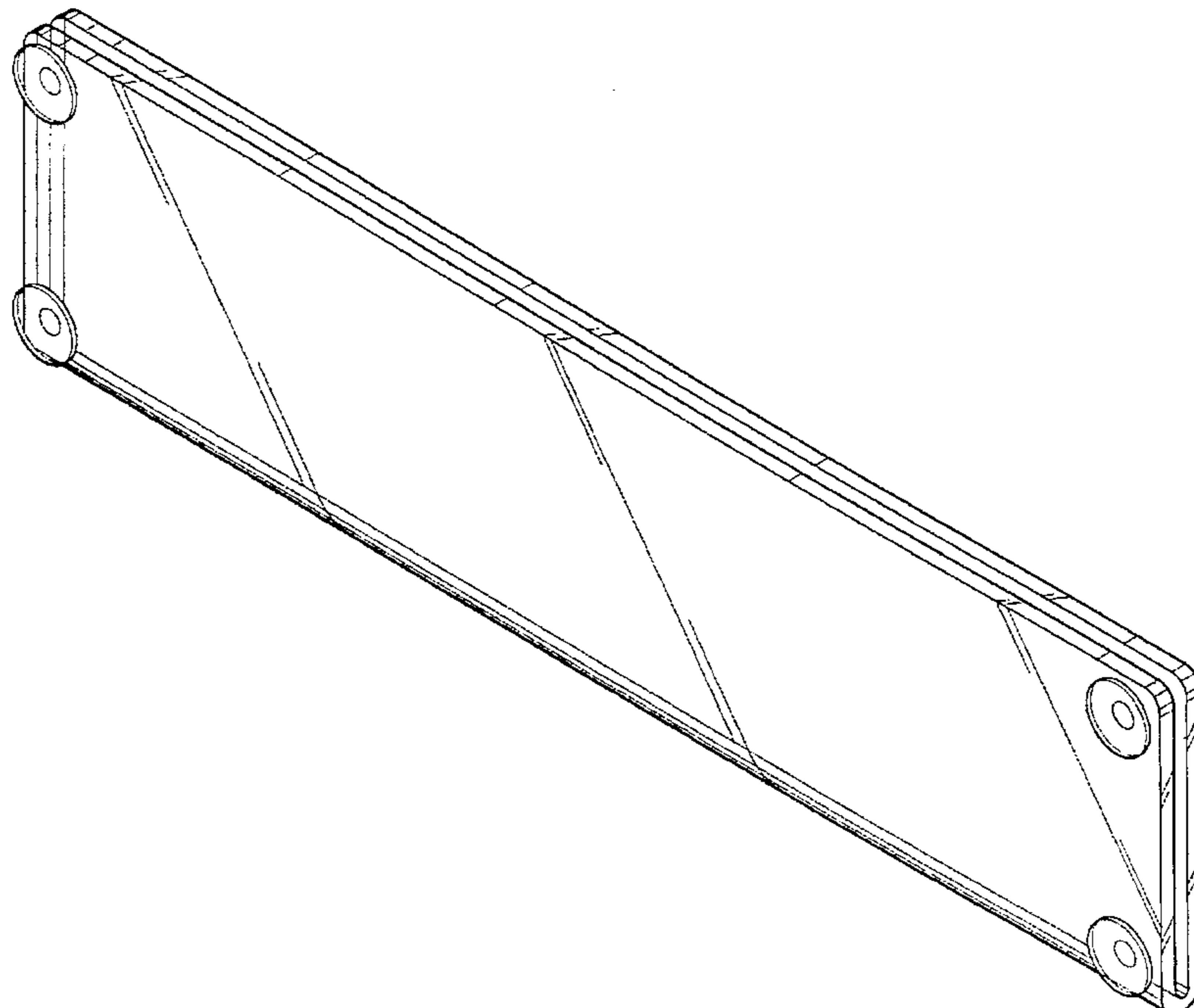
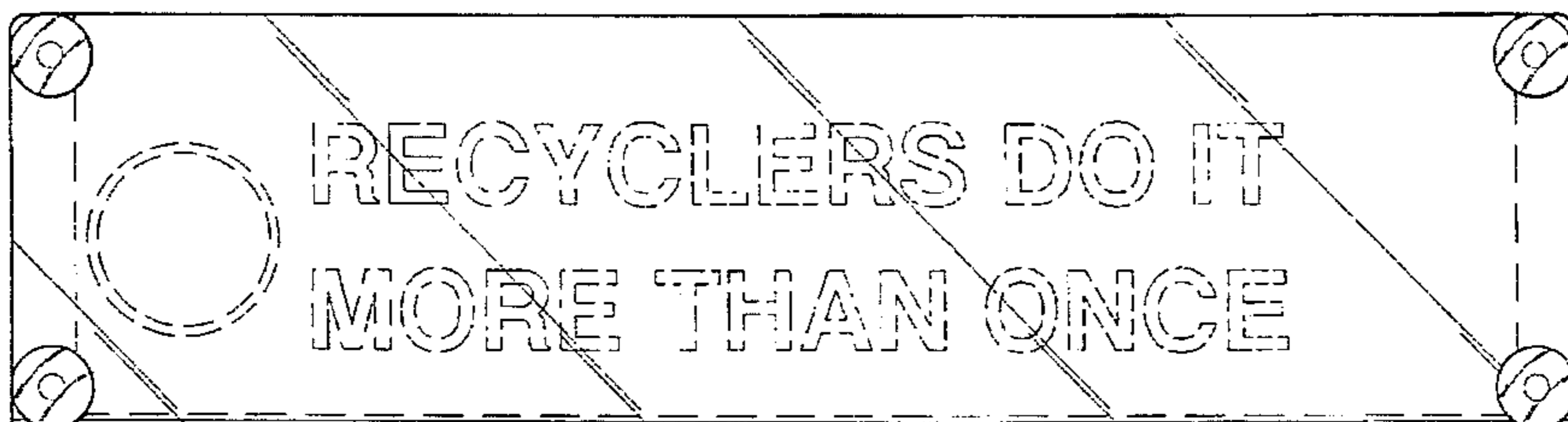
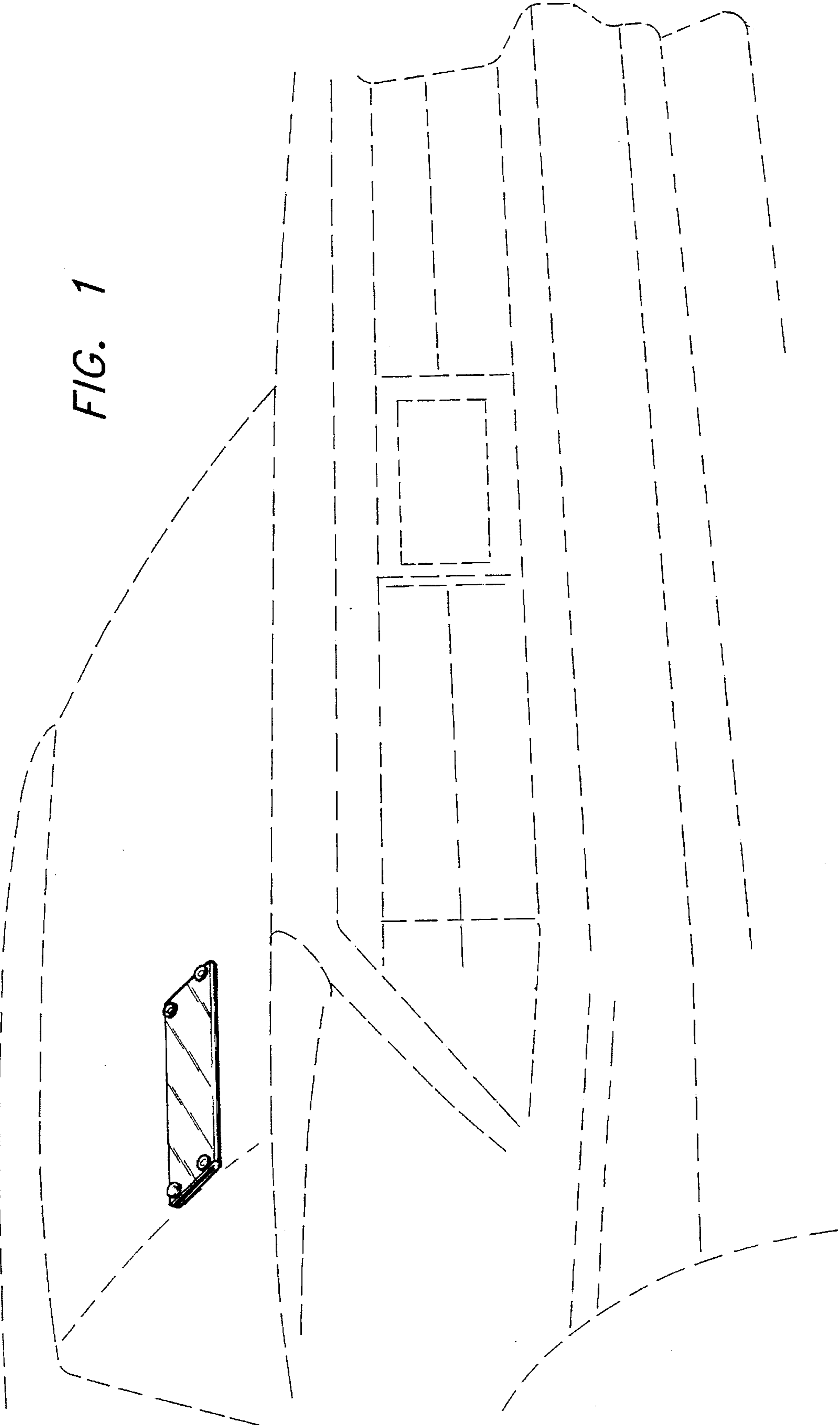


FIG. 1



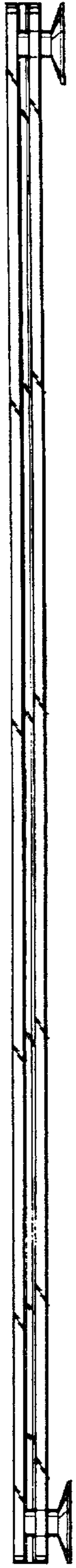


FIG. 2

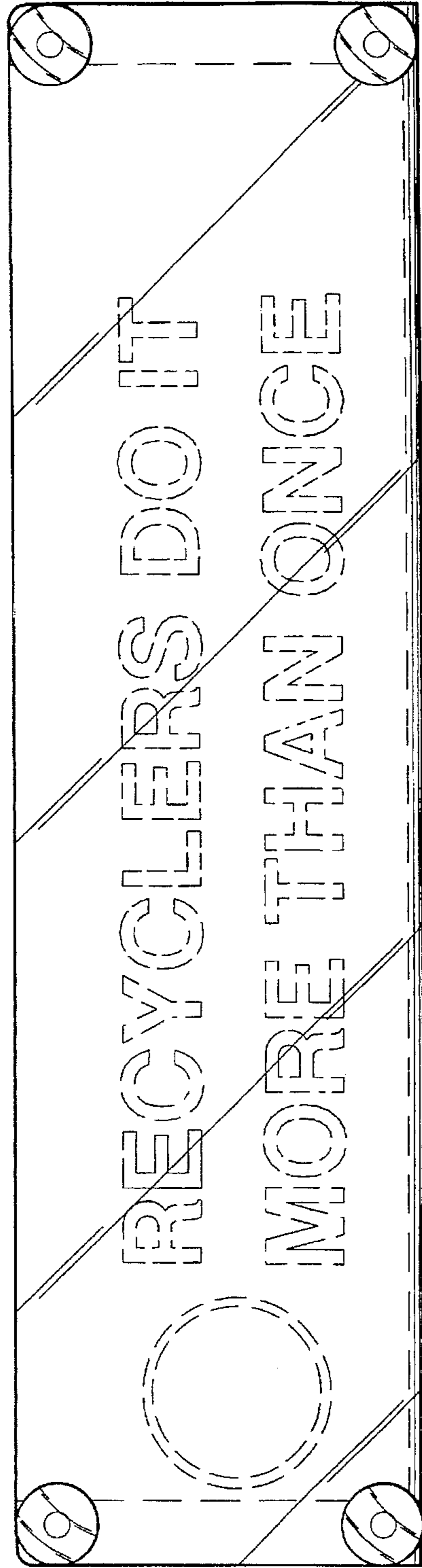


FIG. 3



FIG. 4

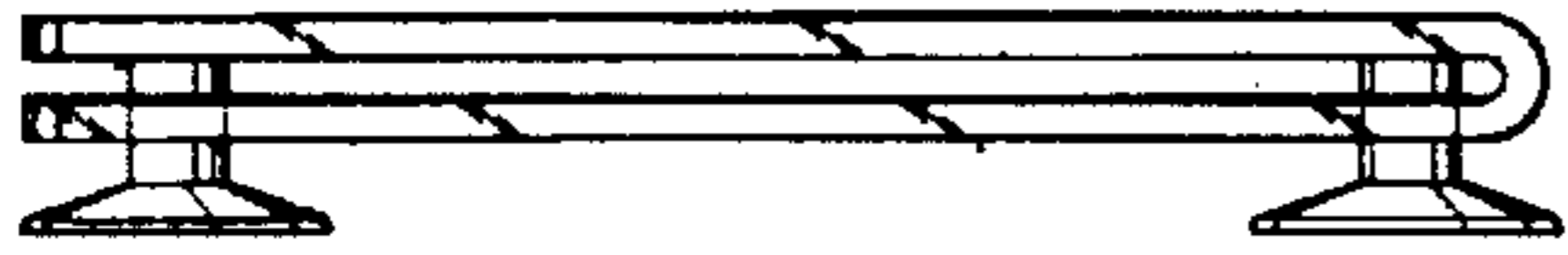


FIG. 5

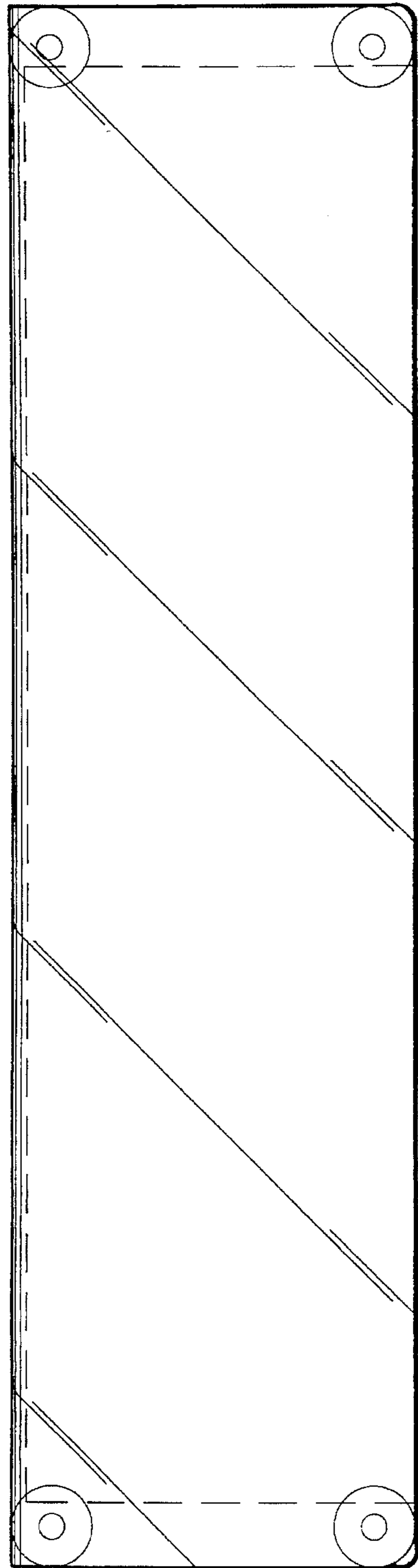


FIG. 6

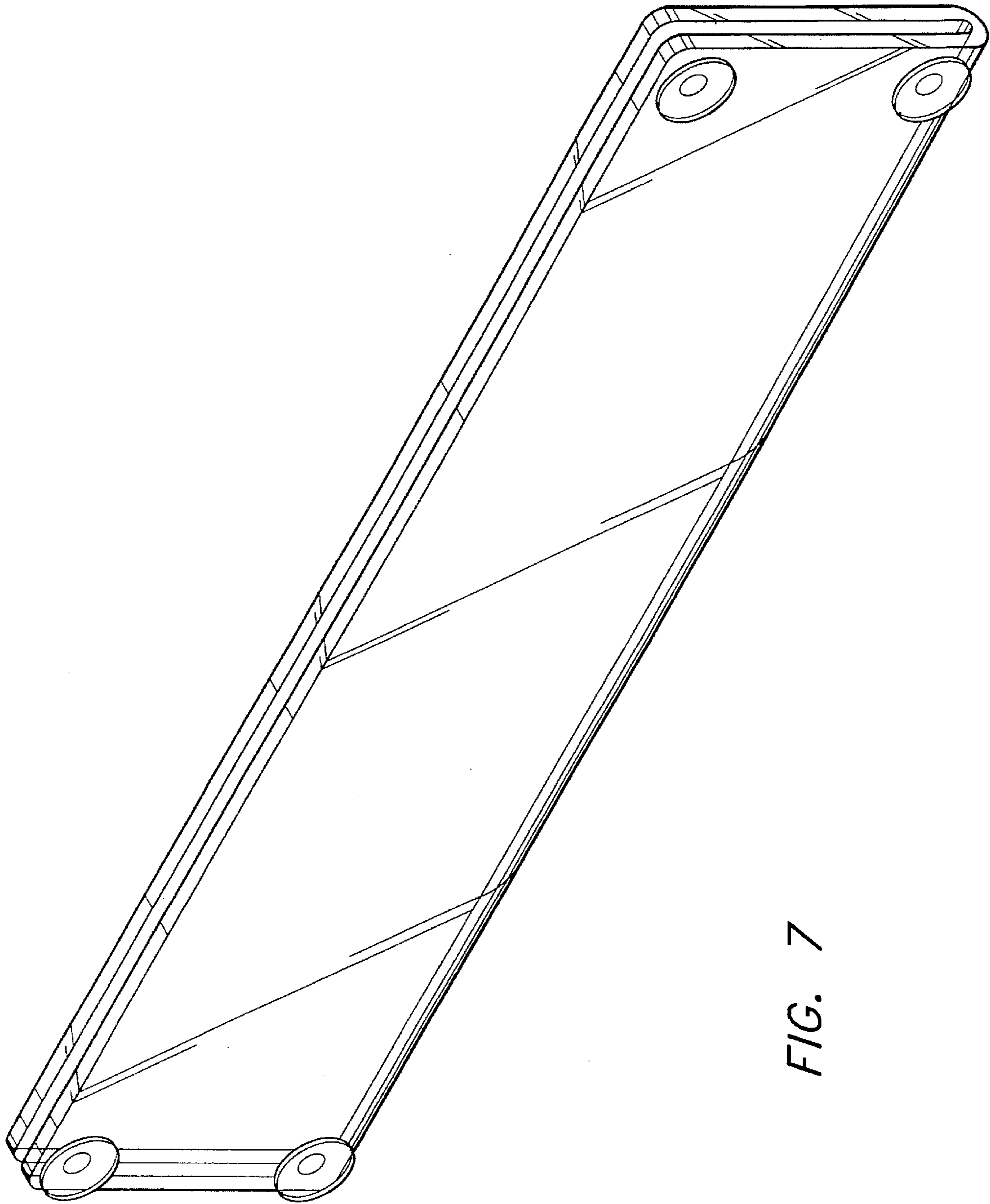


FIG. 7