



US00D382597S

United States Patent [19]

[11] Patent Number: **Des. 382,597**

Vetro

[45] Date of Patent: ****Aug. 19, 1997**

[54] **SIGN SUPPORT**

D. 362,130	9/1995	Alba	D6/399
1,817,064	8/1931	Carson	40/617
3,032,362	5/1962	Lovejoy	40/604 X

[76] Inventor: **Salvatore J. Vetro**, 2685 Maple St., Vancouver, British Columbia, Canada, V6J 3T7

Primary Examiner—Susan J. Lucas
Assistant Examiner—Jennifer A. Register

[**] Term: **14 Years**

[57] **CLAIM**

[21] Appl. No.: **44,324**

The ornamental design for a sign support, as shown and described.

[22] Filed: **Sep. 22, 1995**

DESCRIPTION

[30] **Foreign Application Priority Data**

Mar. 27, 1995 [CA] Canada 1995-0680

FIG. 1 is a front view of the sign support showing my design, the vehicle shown in broken lines is for illustrative purposes only and forms no part of the claimed design.

[51] LOC (6) Cl. **20-02**

[52] U.S. Cl. **D20/41**

FIG. 2 is an enlarged, fragmentary view of the top section of the sign support as shown in FIG. 1;

[58] Field of Search D20/41, 42, 10,

D20/43, 21, 17; 40/606, 607, 584, 604,

603, 617; 248/121, 291, 297.2, 157; 211/60.1,

87, 101, 100, 58; 116/173; D11/166, 181;

52/736.1, 736.2; D6/399

FIG. 3 is an enlarged, fragmentary view of the mid section of the sign support as shown in FIG. 1; and,

FIG. 4 is a top plan view of the sign support as shown in FIG. 1 thereof.

The broken lines are shown for illustrative purposes only and form no part of the claimed design.

The sign support is being fragmentarily shown for convenience of illustration.

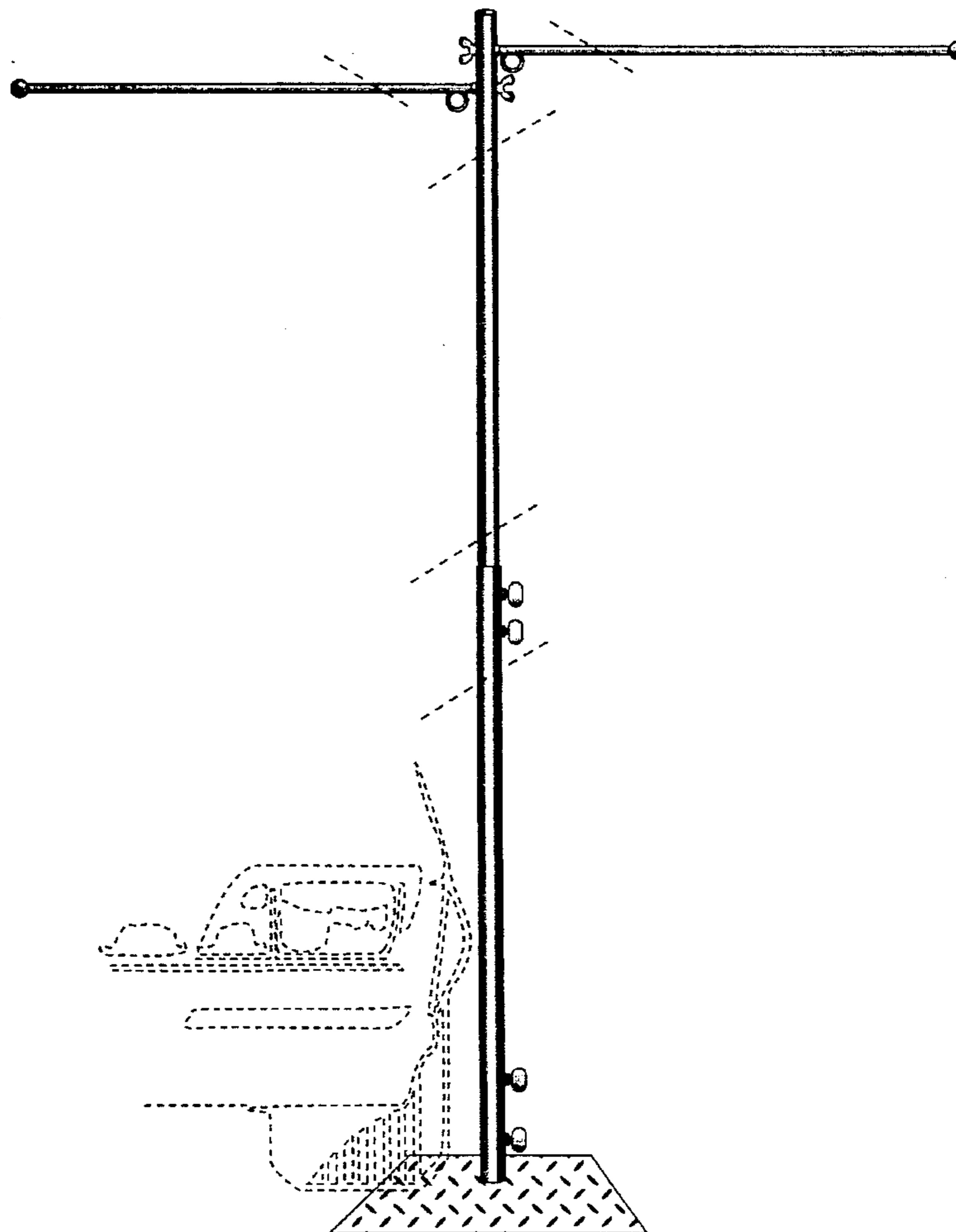
[56] **References Cited**

U.S. PATENT DOCUMENTS

D. 277,584 2/1985 Anstedt D20/42 X

D. 285,220 8/1986 Cooper et al. D20/42

1 Claim, 2 Drawing Sheets



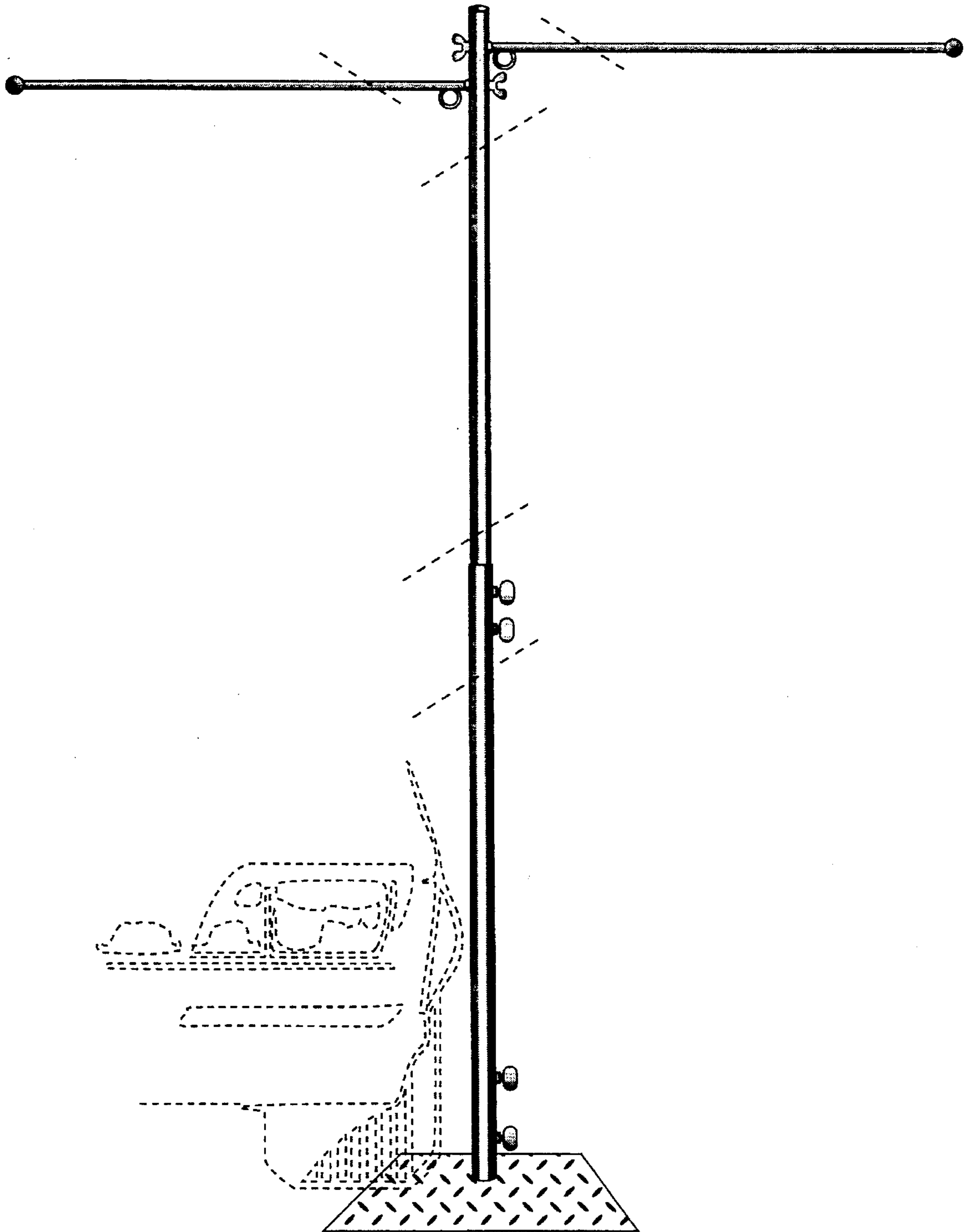


Figure 1

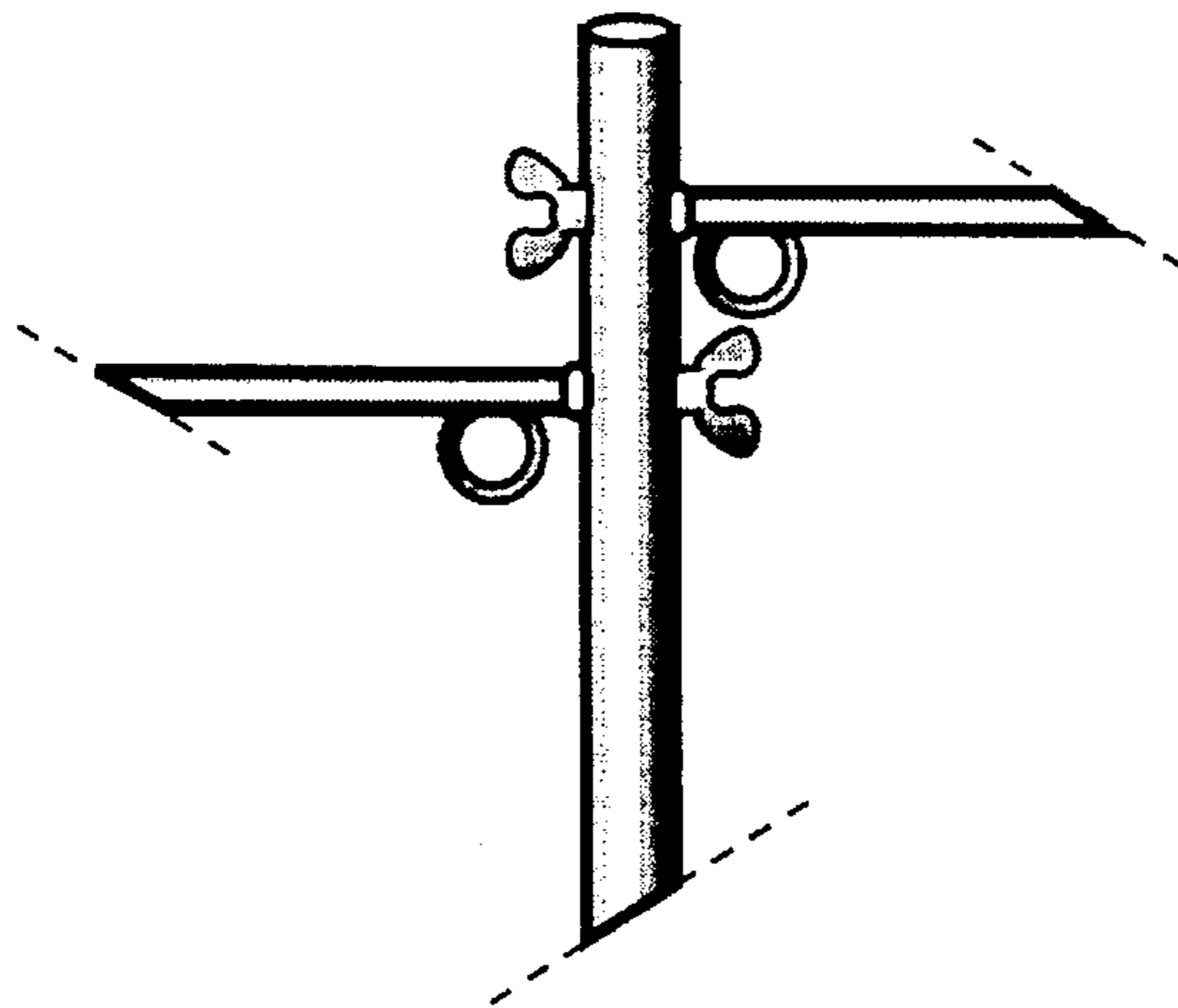


Figure 2

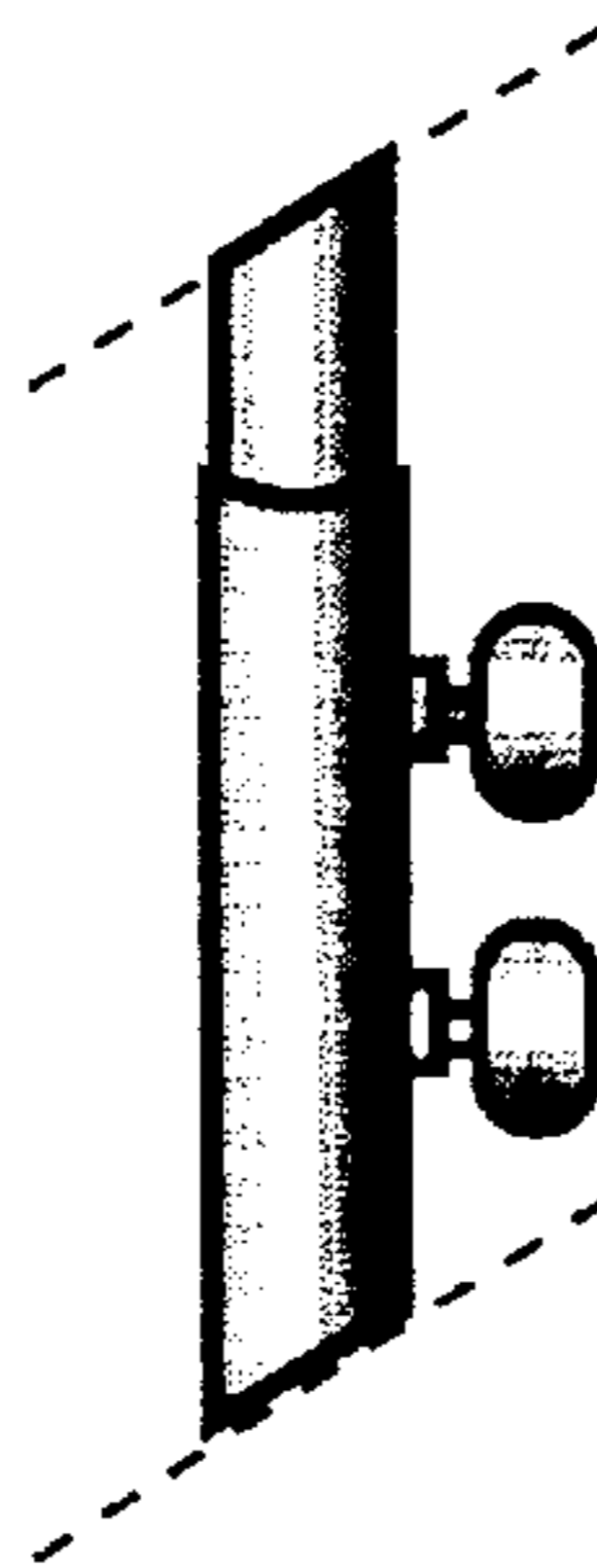


Figure 3

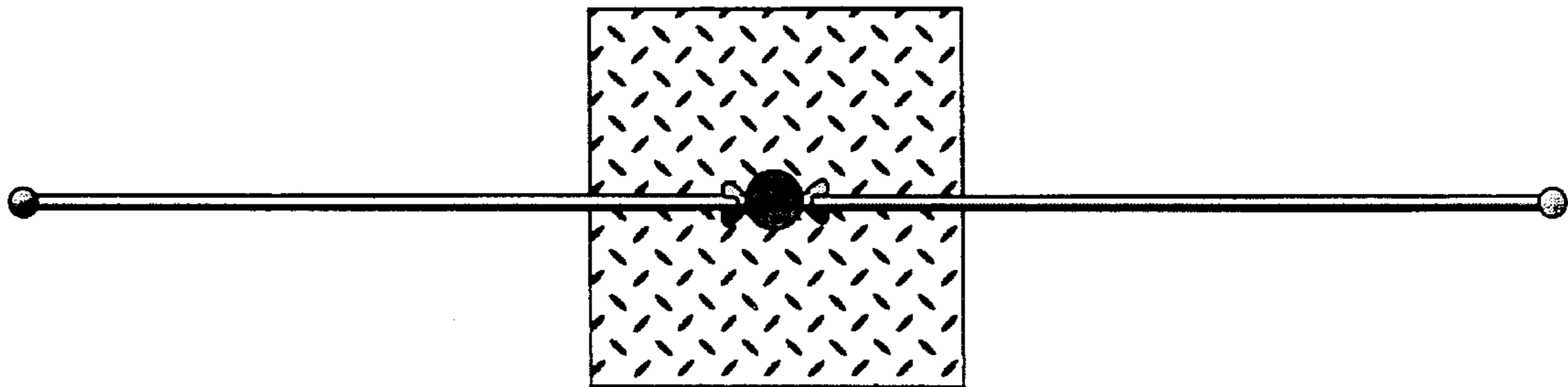


Figure 4